



US00D381484S

United States Patent [19] Clendenning

[11] Patent Number: Des. 381,484

[45] Date of Patent: **Jul. 22, 1997

[54] LIP SHROUD

[75] Inventor: Charles Clendenning, Broken Arrow, Okla.

[73] Assignee: H&L Tooth Company, Tulsa, Okla.

[**] Term: 14 Years

[21] Appl. No.: 41,394

[22] Filed: Jun. 30, 1995

[51] LOC (6) Cl. 19-06

[52] U.S. Cl. D32/54; D34/10

[58] Field of Search D32/53, 54, 60, D32/61; D8/394, 395; 24/288, 336; 220/23.2, 23.4, 694

[56] **References Cited**

U.S. PATENT DOCUMENTS

D. 363,579	10/1995	Scaglione et al.	D32/61
3,033,412	5/1962	Fox	220/23.4
3,146,505	9/1964	Hansen	220/23.4
5,181,297	1/1993	Andrews	D34/10

Primary Examiner—A. Hugo Word
Assistant Examiner—Robin V. Taylor

Attorney, Agent, or Firm—Rudnick & Wolfe

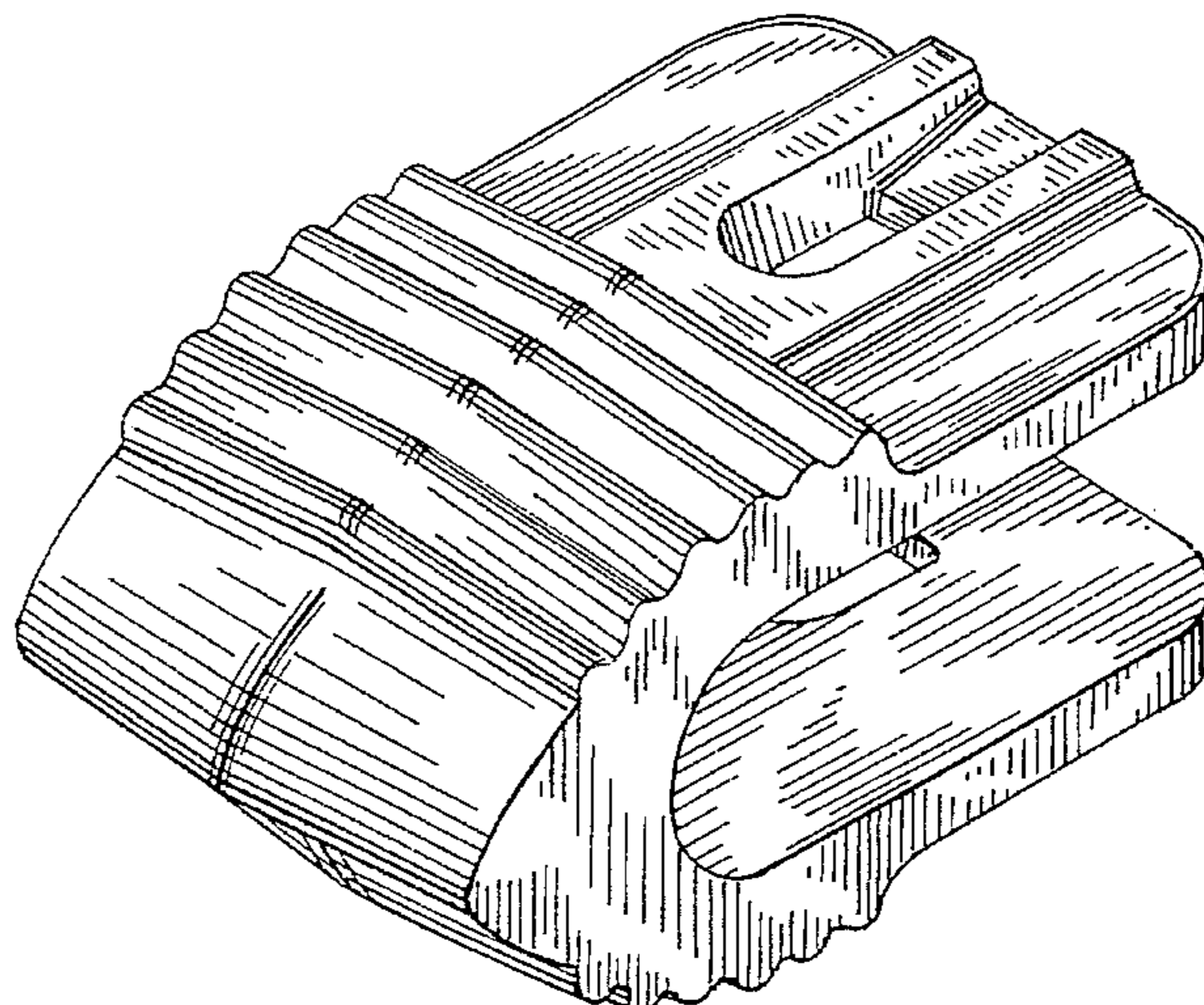
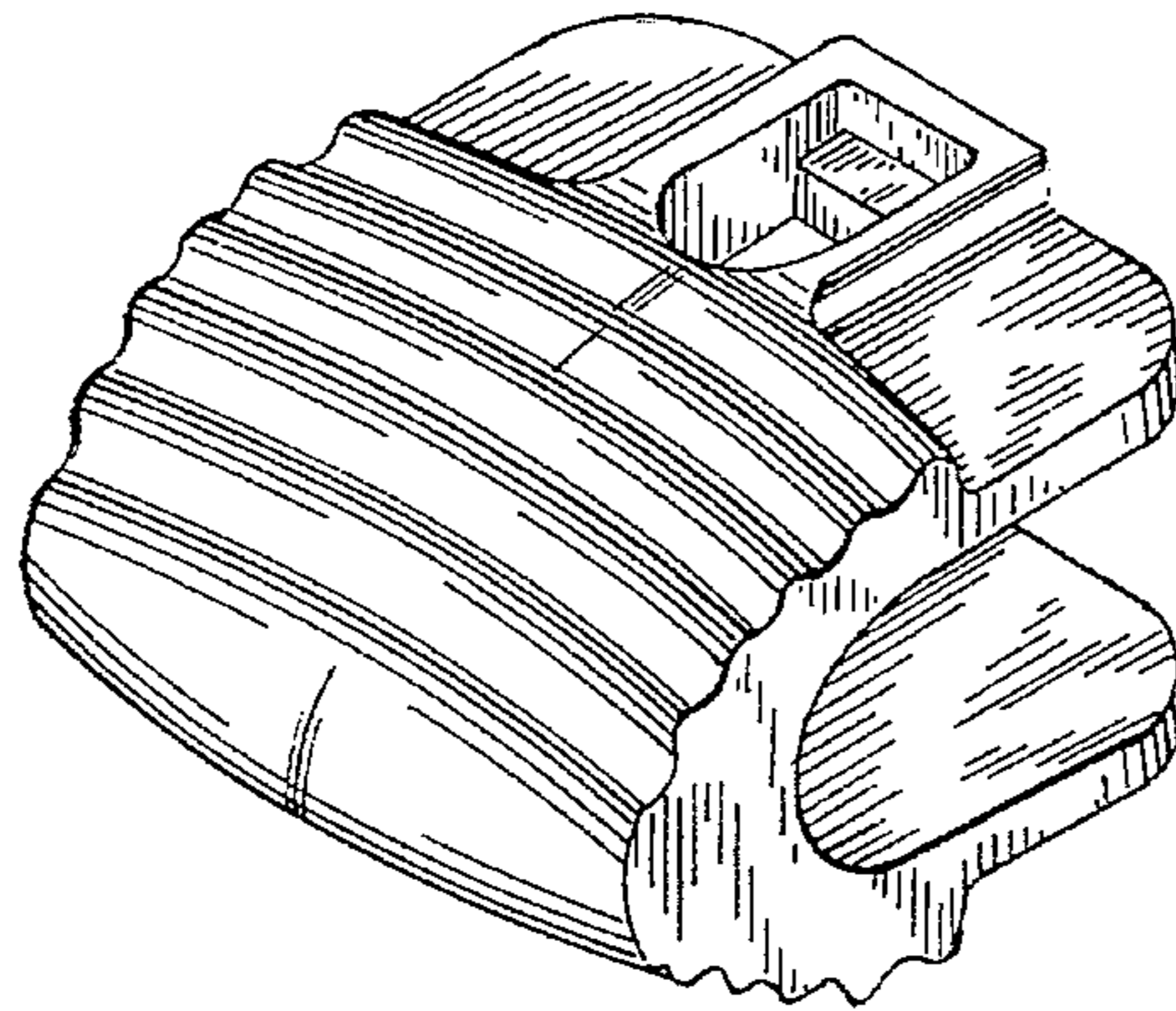
[57] **CLAIM**

The ornamental design for a lip shroud, as shown and described.

DESCRIPTION

FIG. 1 is a perspective view of a first embodiment of a lip shroud showing my new design;
 FIG. 2 is a top plan view of the lip shroud illustrated in FIG. 1;
 FIG. 3 is a right side view thereof with the left side view being a mirror image thereof;
 FIG. 4 is a front elevational view thereof;
 FIG. 5 is a rear elevational view thereof;
 FIG. 6 is a bottom view thereof;
 FIG. 7 is a perspective view of a second embodiment of a lip shroud showing my new design;
 FIG. 8 is a top plan view of the lip shroud illustrated in FIG. 7, the bottom view being identical;
 FIG. 9 is a right side elevational view thereof with the left side elevational view being a mirror image thereof;
 FIG. 10 is a front elevational view thereof; and,
 FIG. 11 is a rear elevational view thereof.

1 Claim, 3 Drawing Sheets



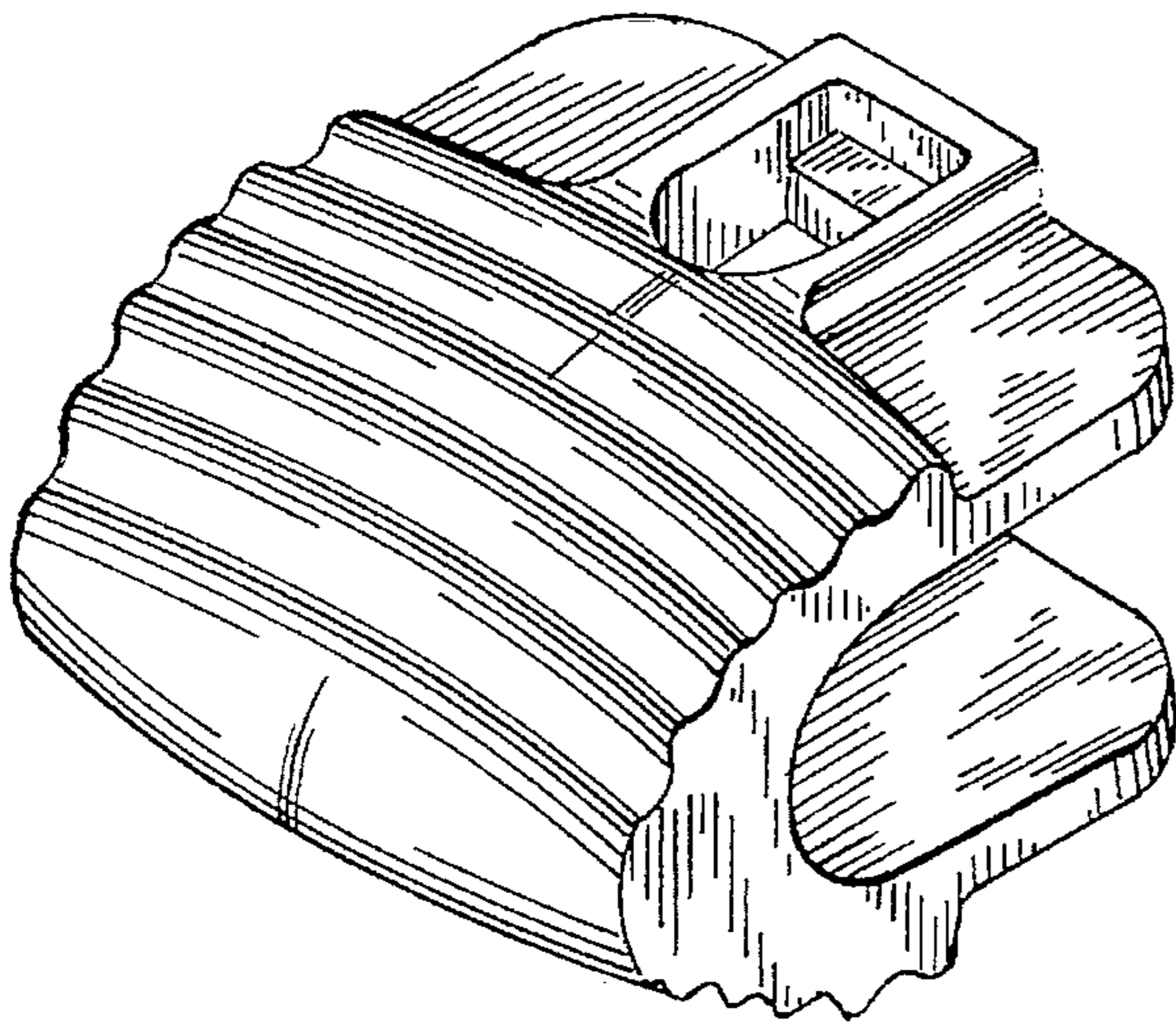


FIG. 1

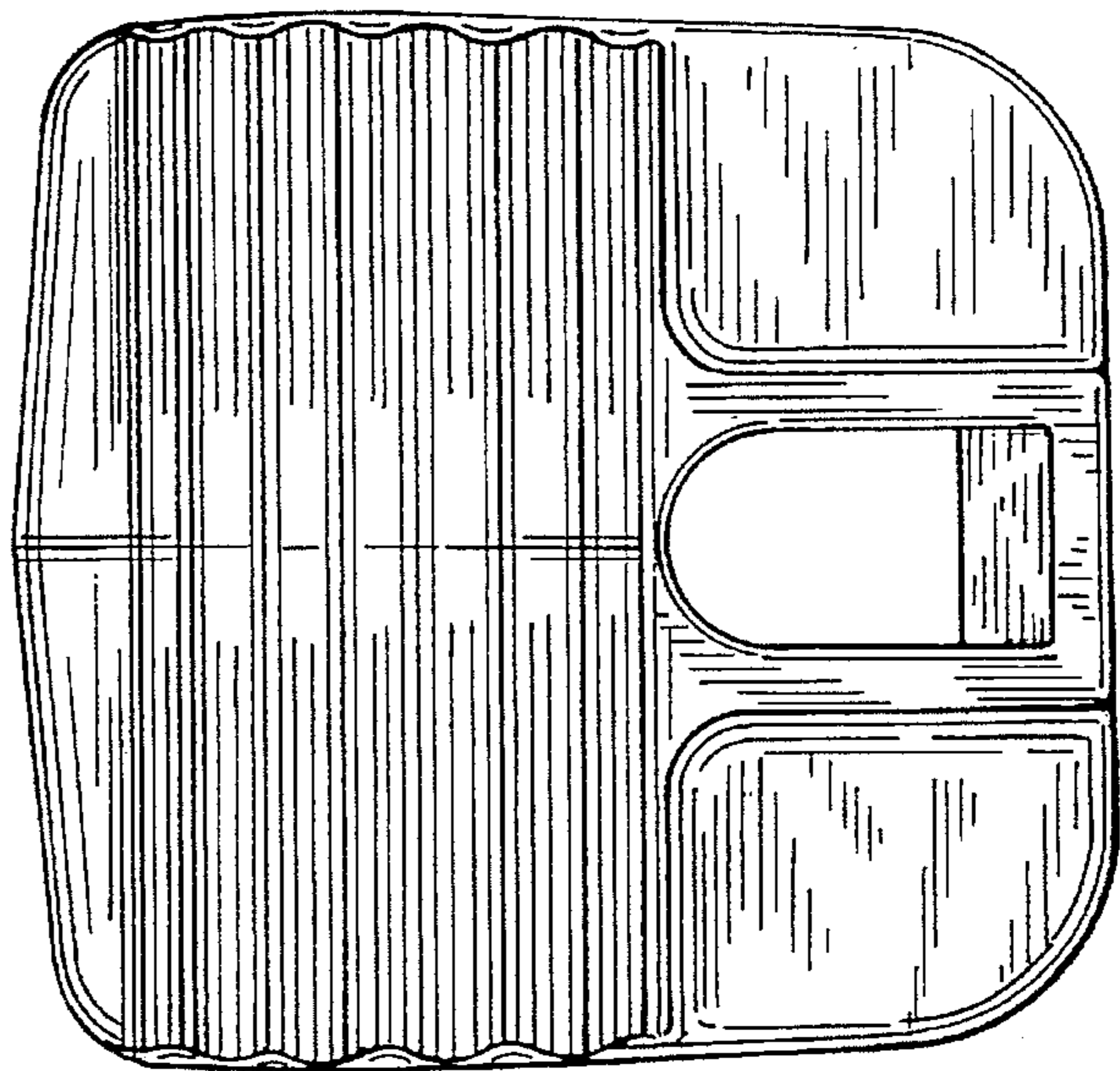


FIG. 2

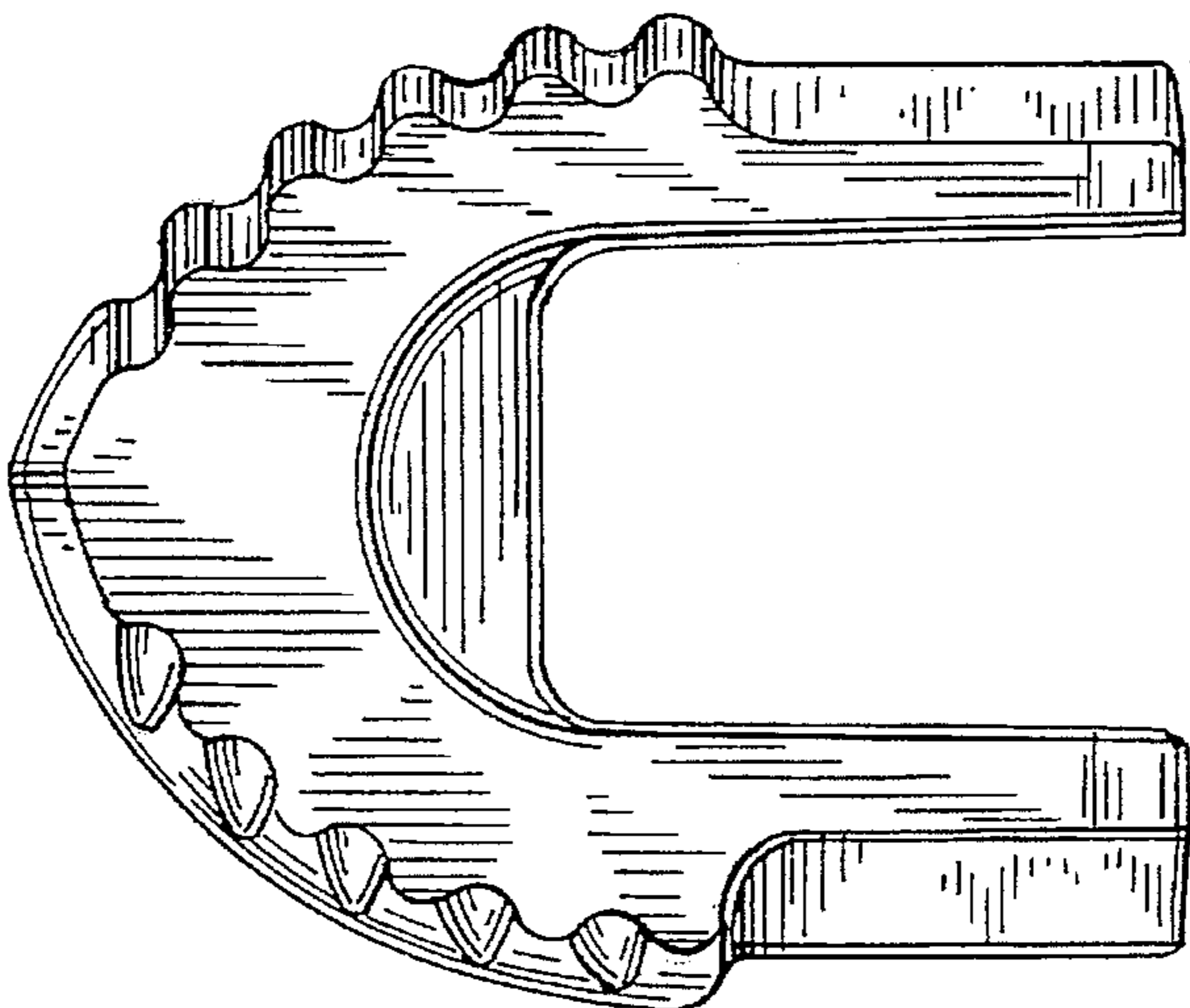


FIG. 3

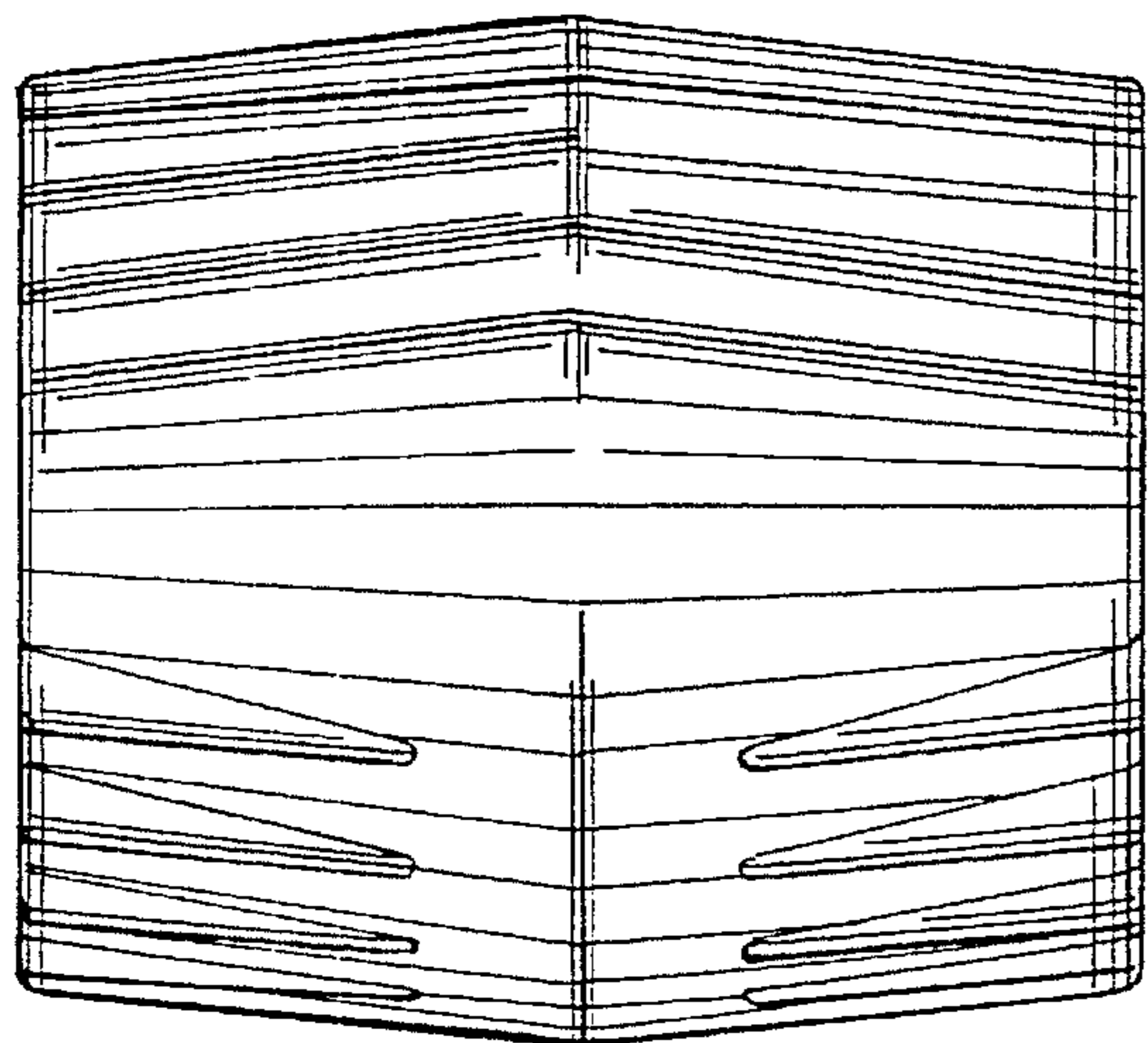


FIG. 4

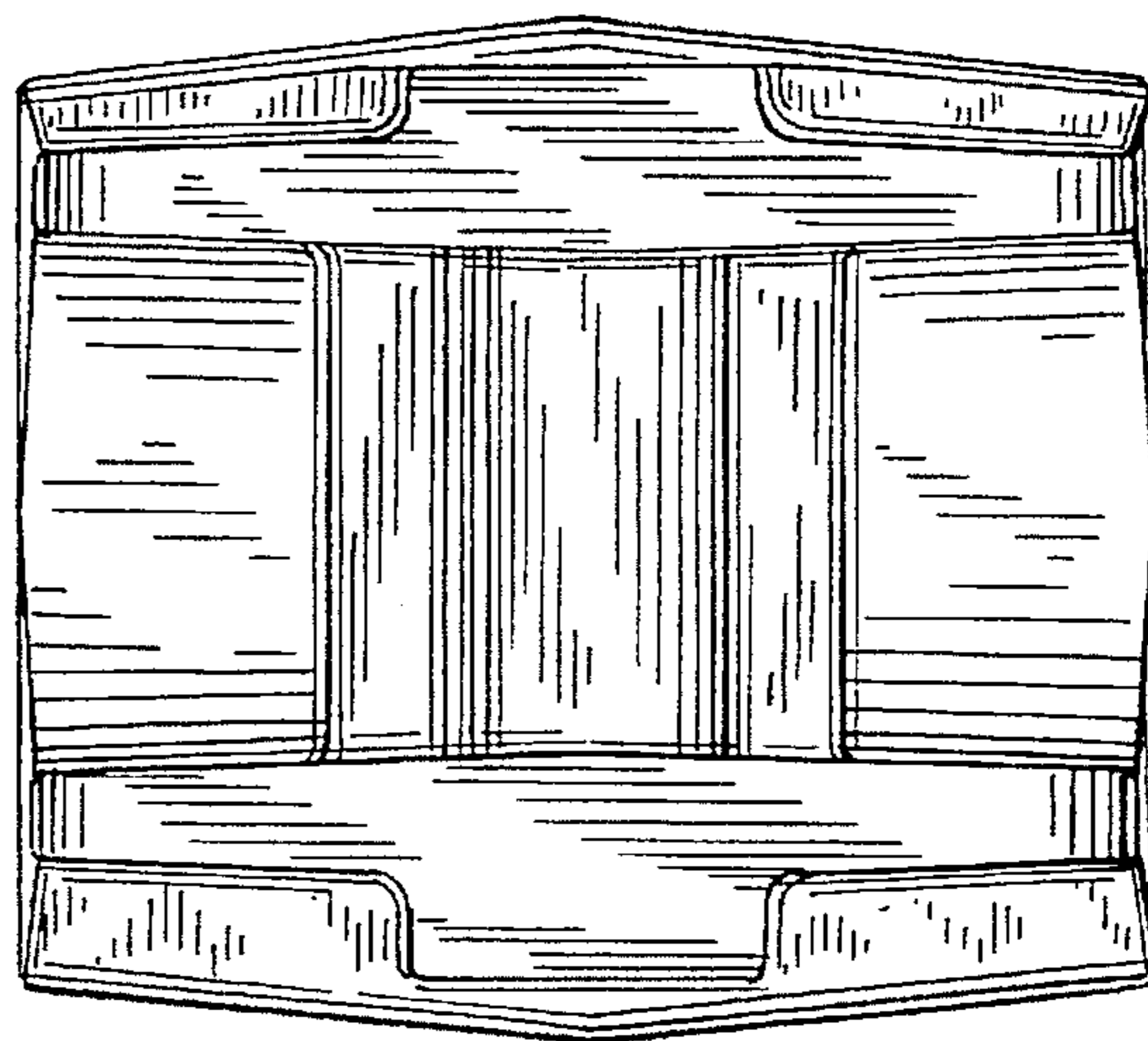


FIG. 5

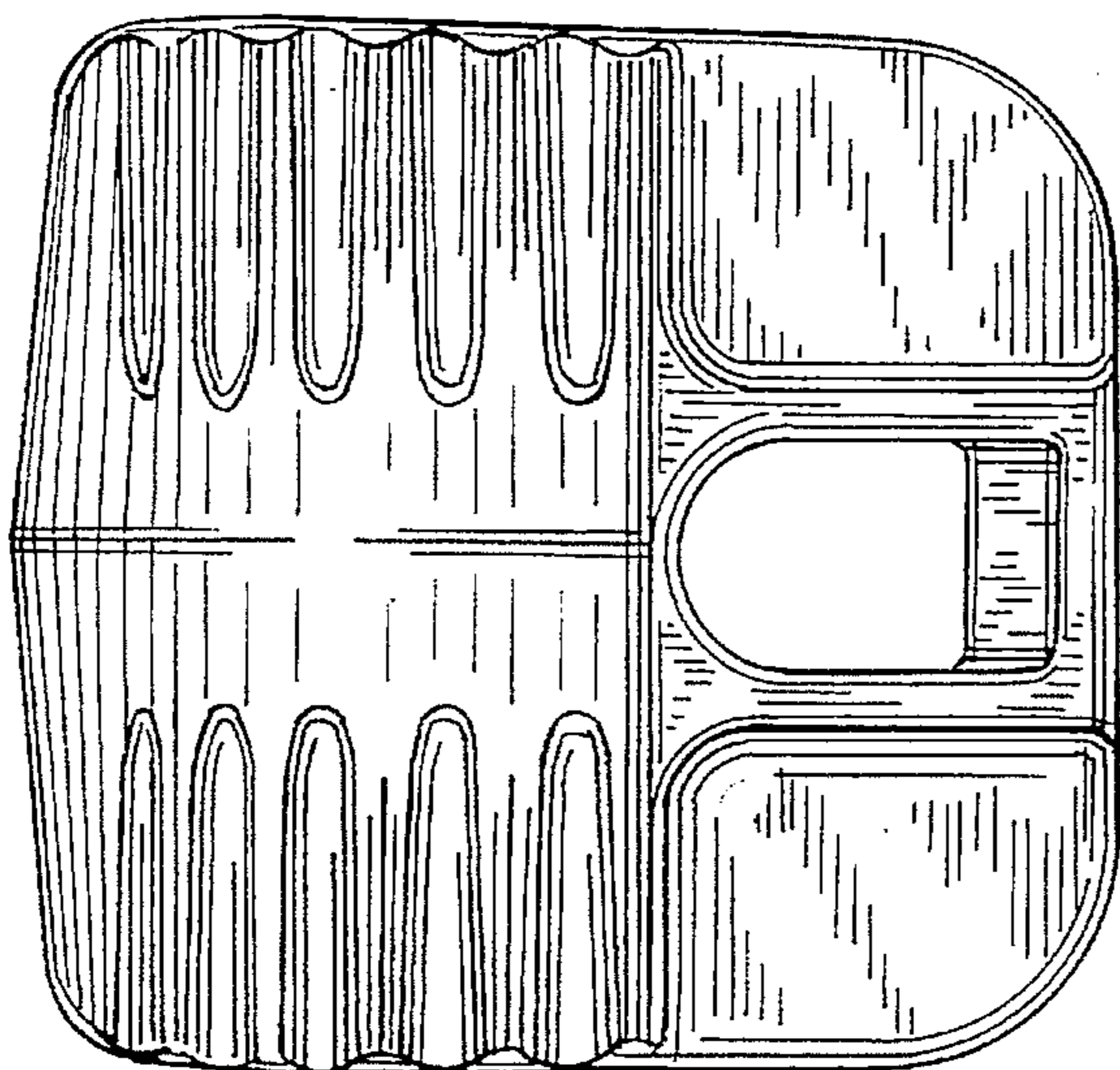


FIG. 6

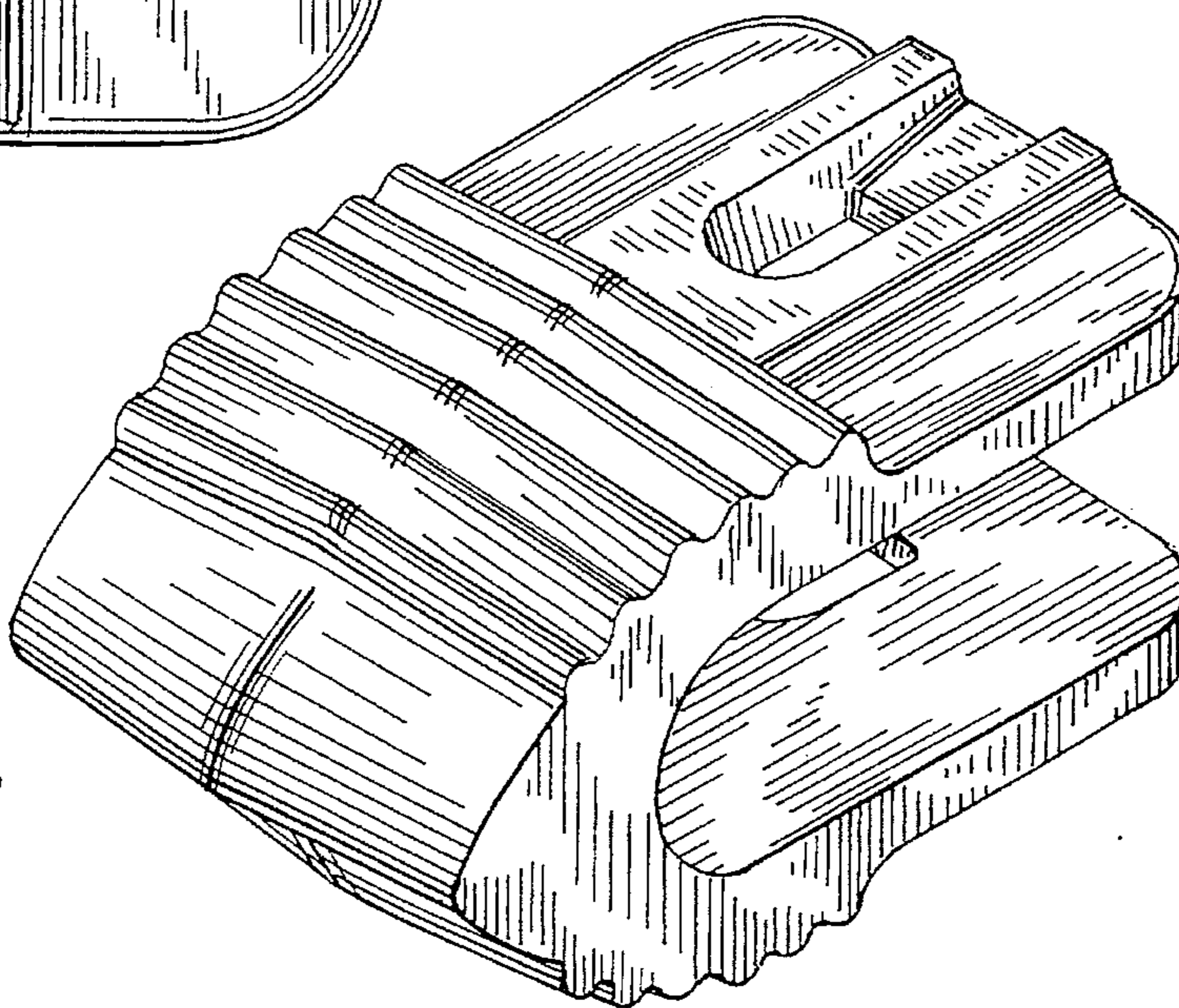


FIG. 7

FIG. 8

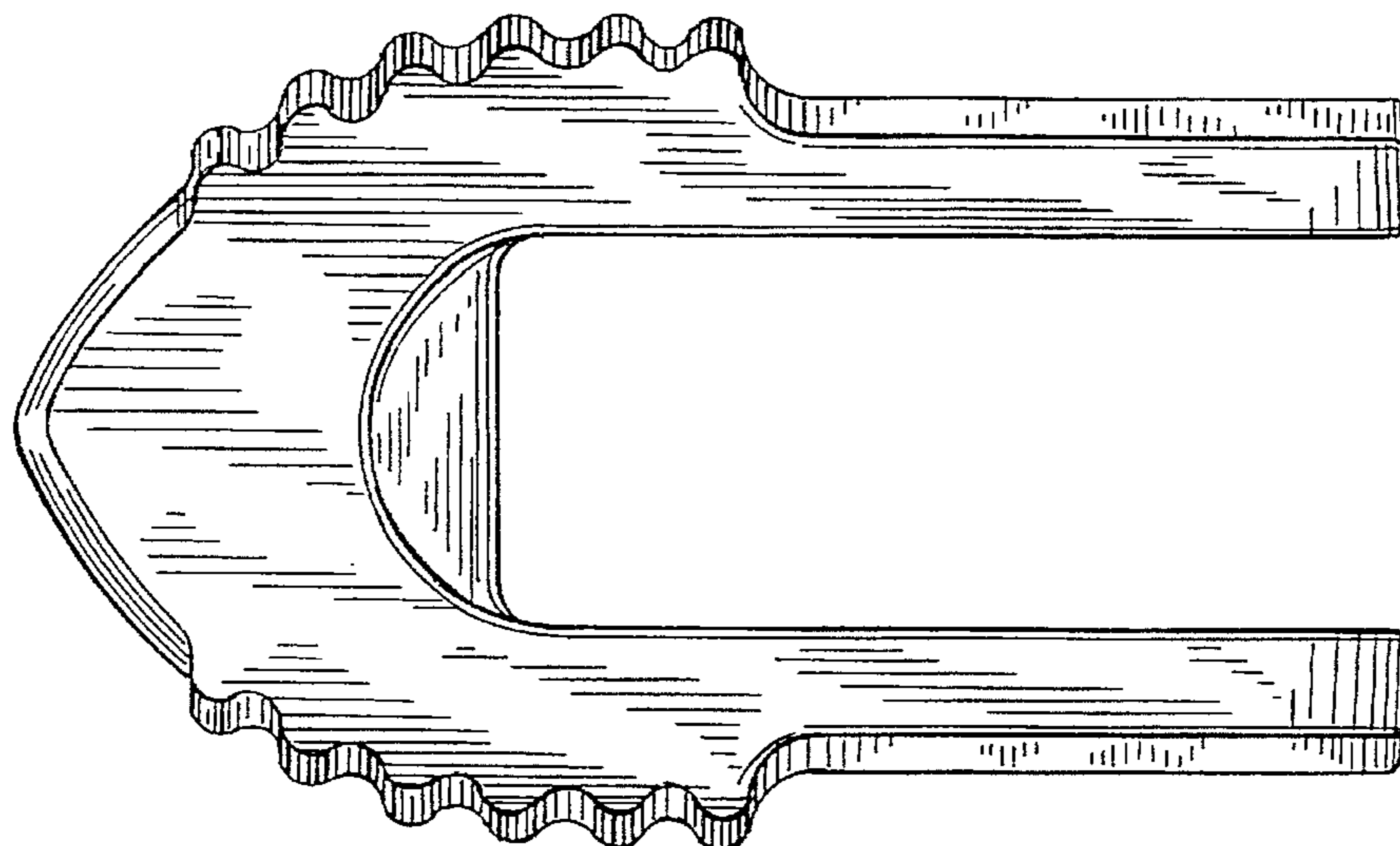
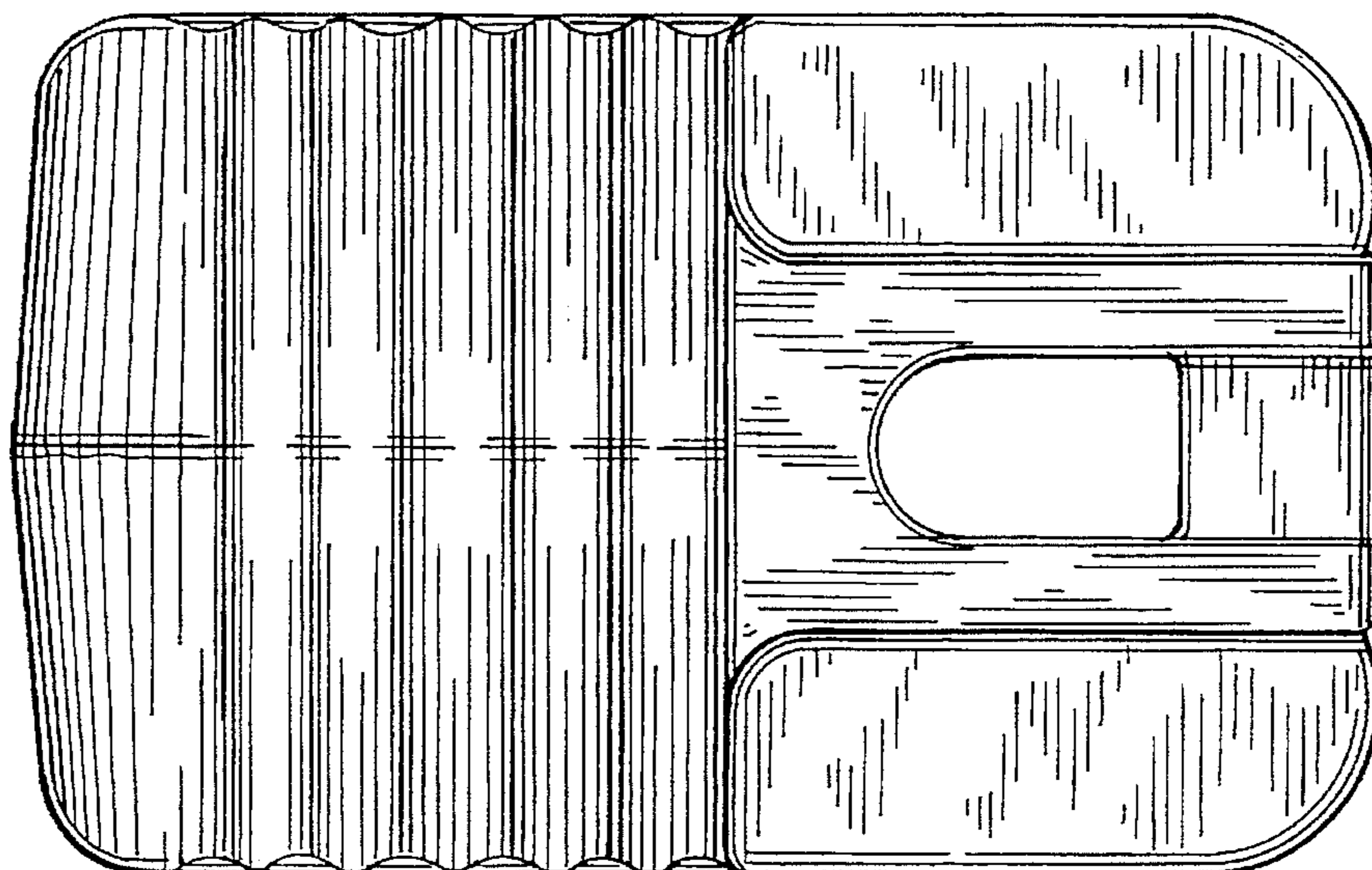


FIG. 9

FIG. 10

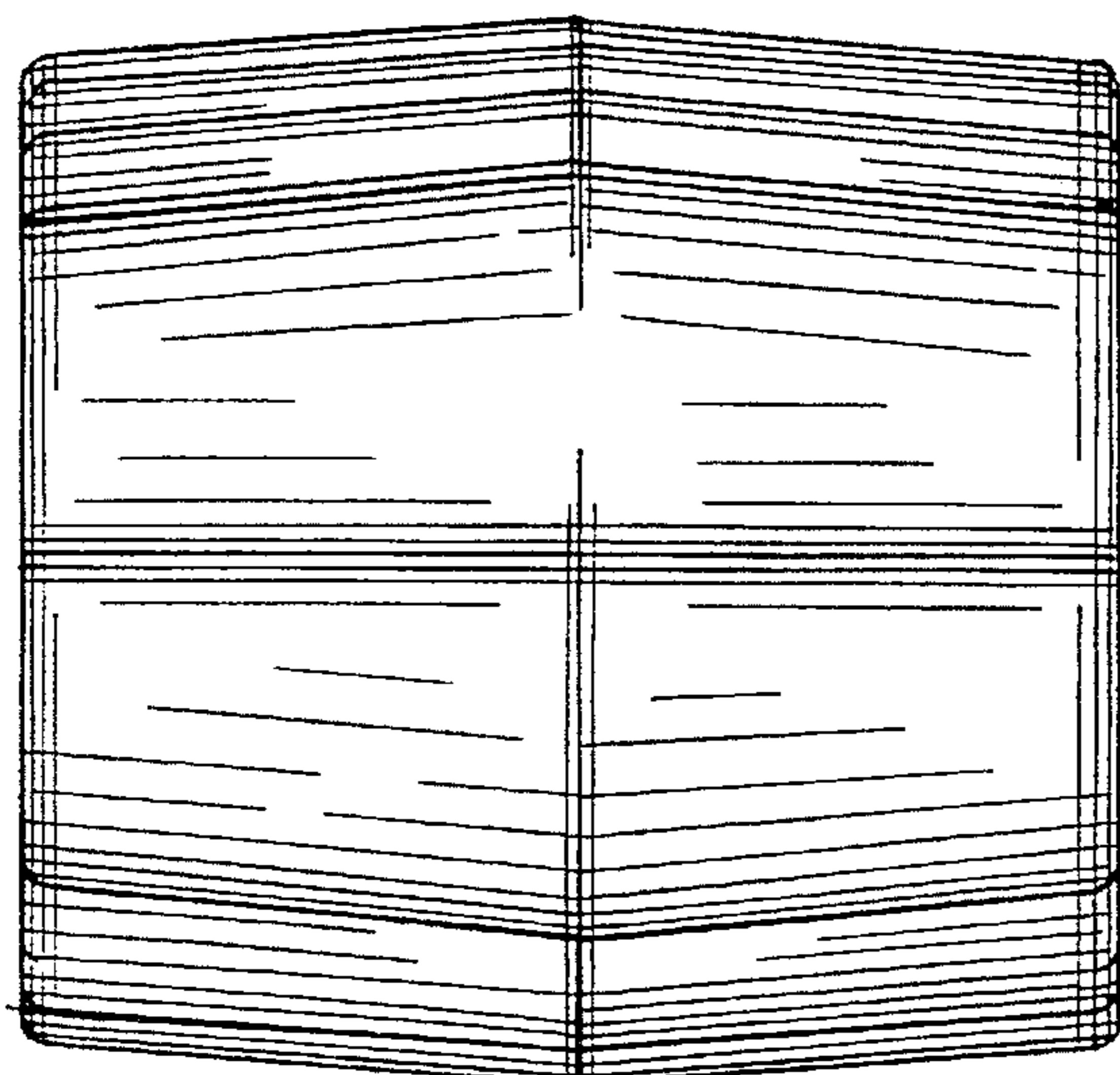


FIG. 11

