



US00D381482S

# United States Patent [19]

Medema et al.

[11] Patent Number: **Des. 381,482**

[45] Date of Patent: **\*\*Jul. 22, 1997**

[54] **COMBINED HOSE AND STORAGE RACK**

[75] Inventors: **Douglas J. Medema, Belding; Robert C. Coon, Holland, both of Mich.**

[73] Assignee: **Bissell Inc., Grand Rapids, Mich.**

[\*\*] Term: **14 Years**

[21] Appl. No.: **51,756**

[22] Filed: **Mar. 18, 1996**

[51] LOC (6) Cl. .... **15-05**

[52] U.S. Cl. .... **D32/31**

[58] Field of Search ..... D32/21, 22, 23, D32/31, 32; 15/323, 257.01, 301, 321.1, 327.2, 336, 335, 320, 321, 347, 329, 327.5, 339, 410; 248/75

### [56] References Cited

#### U.S. PATENT DOCUMENTS

D. 294,755	3/1988	Lackner et al. ....	D32/31
D. 295,334	4/1988	Fonville .....	D32/31
D. 295,910	5/1988	Hill .....	D32/31
D. 325,453	4/1992	Tsuge .	
D. 325,658	4/1992	Brewin .	
D. 329,511	9/1992	McKnight .	
D. 330,615	10/1992	Essex et al. ....	D32/31
D. 330,616	10/1992	Wareham et al. .	
D. 333,020	2/1993	McKnight .	
D. 334,260	3/1993	Kieft et al. ....	D32/31
D. 334,261	3/1993	McKnight .	
D. 338,293	8/1993	Kojima et al. .	

D. 354,379	1/1995	Shinozaki .	
D. 357,562	4/1995	Chumley et al. ....	D32/31
D. 358,236	5/1995	Kopco et al. .	
4,541,142	9/1985	Pudwill .....	D32/31
5,071,012	12/1991	Jailor .....	D32/31
5,303,447	4/1994	McKnight .	
5,309,600	5/1994	Weaver et al. .	

#### FOREIGN PATENT DOCUMENTS

PCT/US94/  
01496 2/1994 WIPO .

Primary Examiner—Ruth McInroy  
Attorney, Agent, or Firm—Varnum, Riddering, Schmidt & Howlett LLP

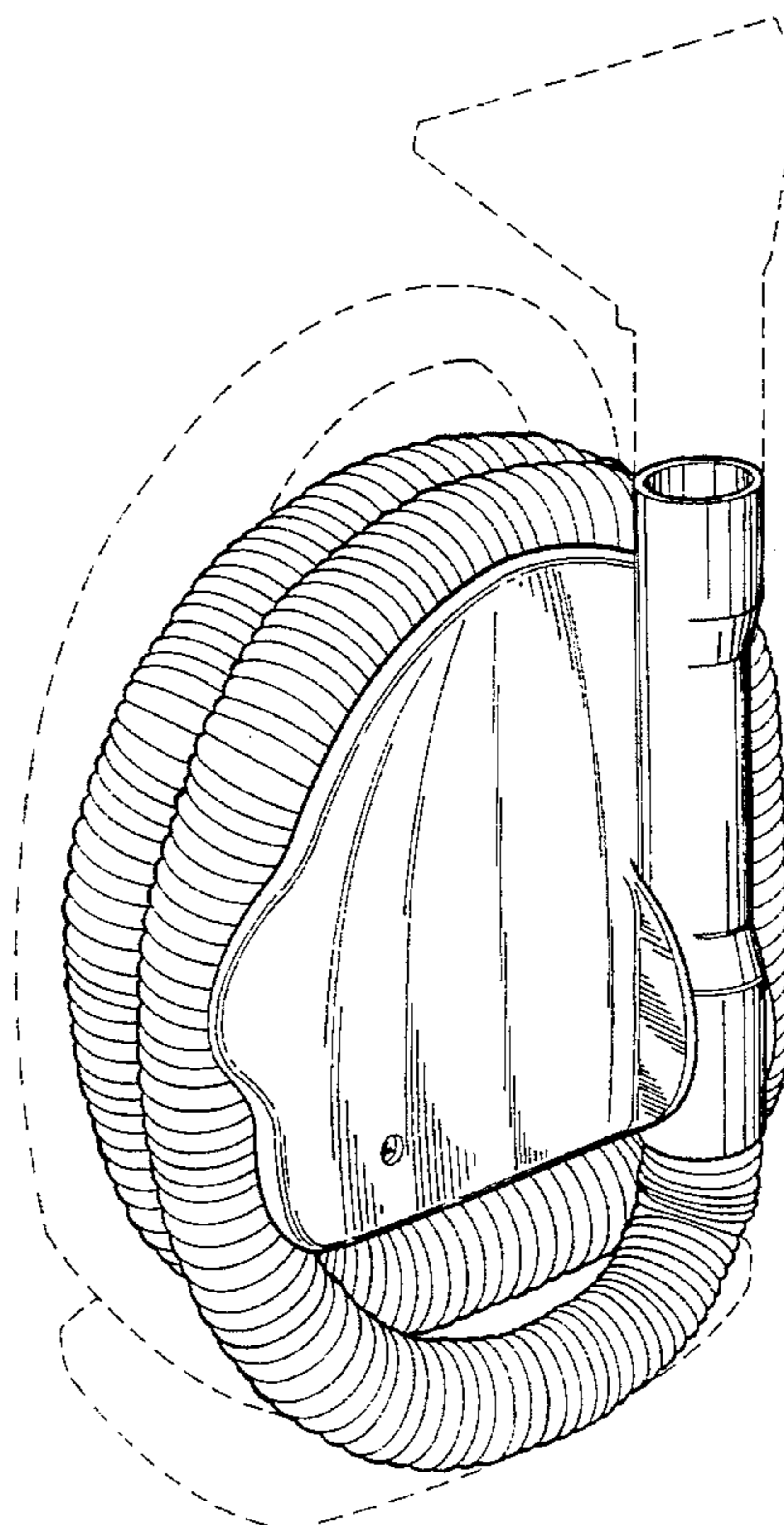
### [57] CLAIM

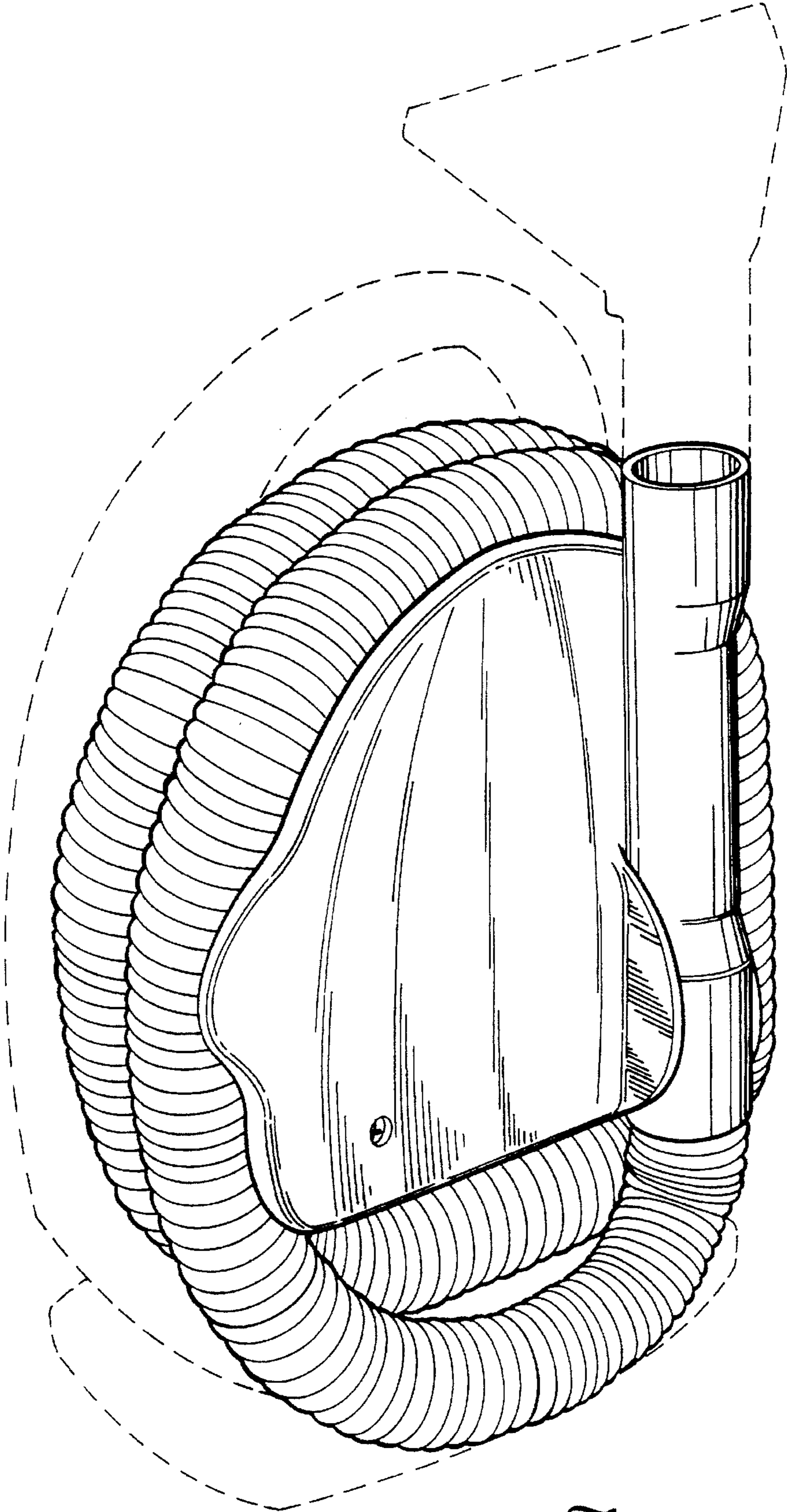
The ornamental design for combined hose and storage rack, as shown and described.

### DESCRIPTION

FIG. 1 is a perspective view of a combined hose and storage rack showing our new design; FIG. 2 is a front-elevational view thereof; FIG. 3 is a right, side-elevational view thereof; FIG. 4 is a rear-elevational view thereof; FIG. 5 is a left side-elevational view thereof; FIG. 6 is a top plan view thereof; and, FIG. 7 is a bottom plan view thereof. The broken line showing of the cleaner housing and cleaning tool in FIGS. 1-7 is for illustrative purposes only and forms no part of the claimed design.

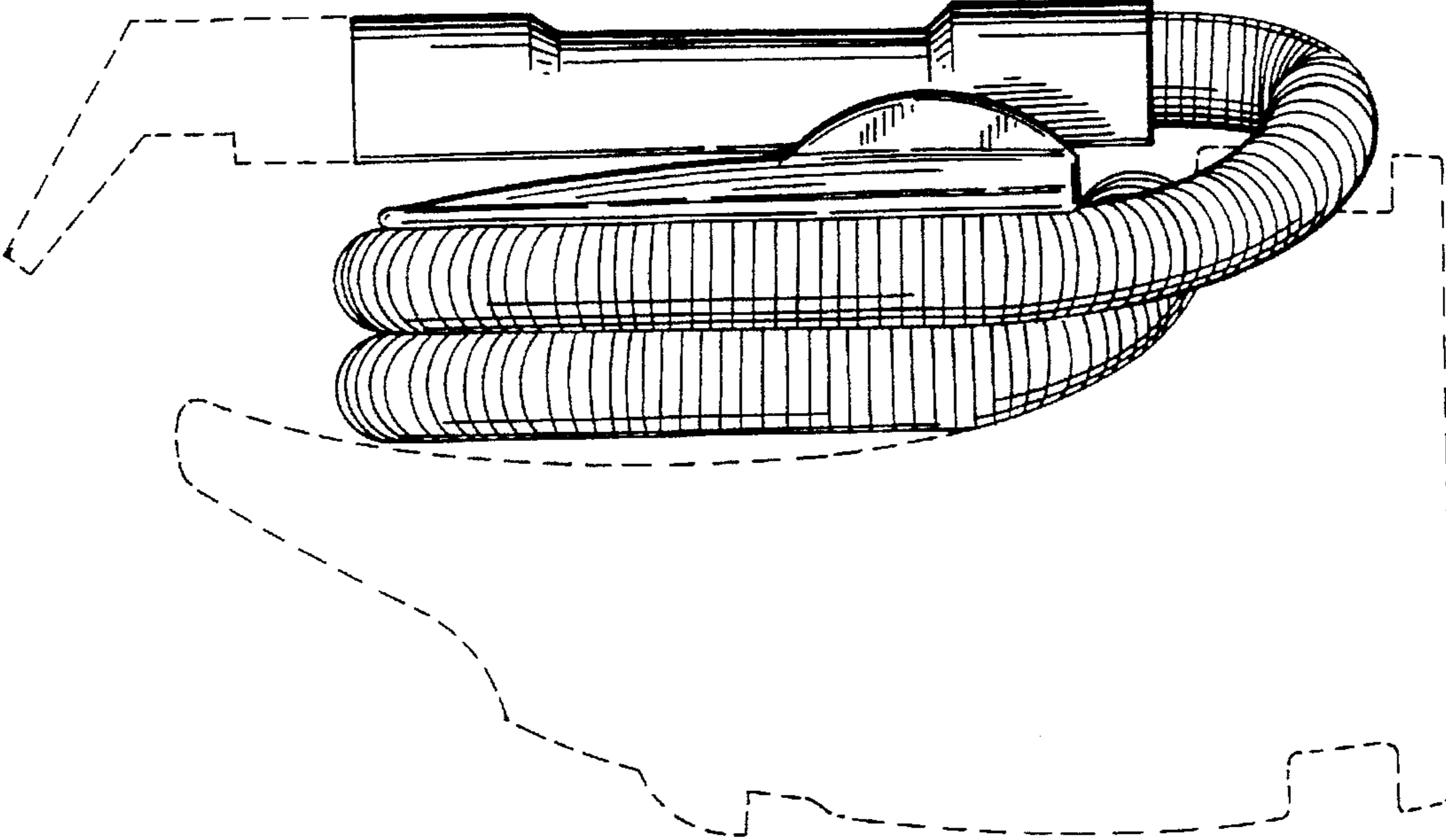
1 Claim, 4 Drawing Sheets



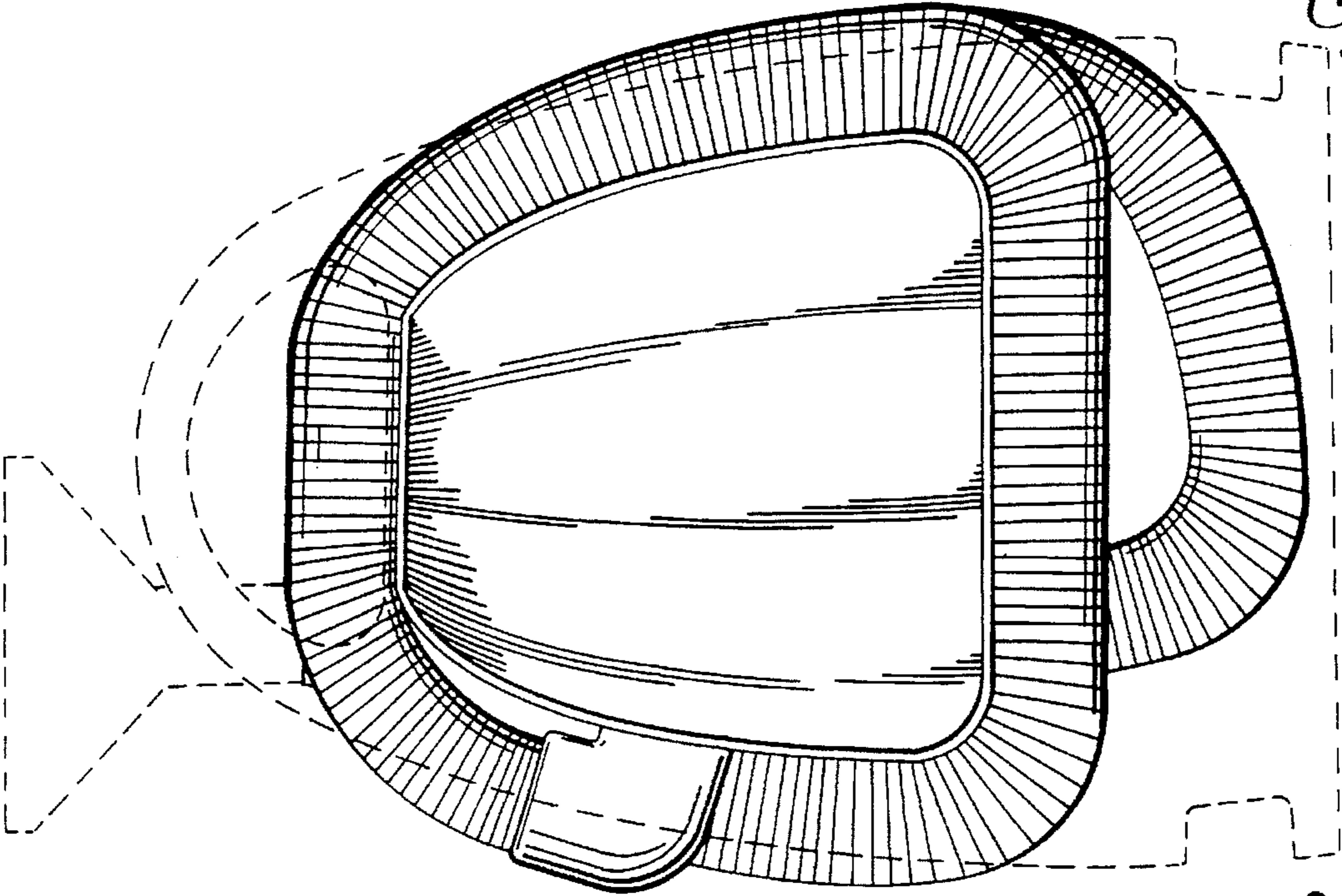


*Fig. 1*

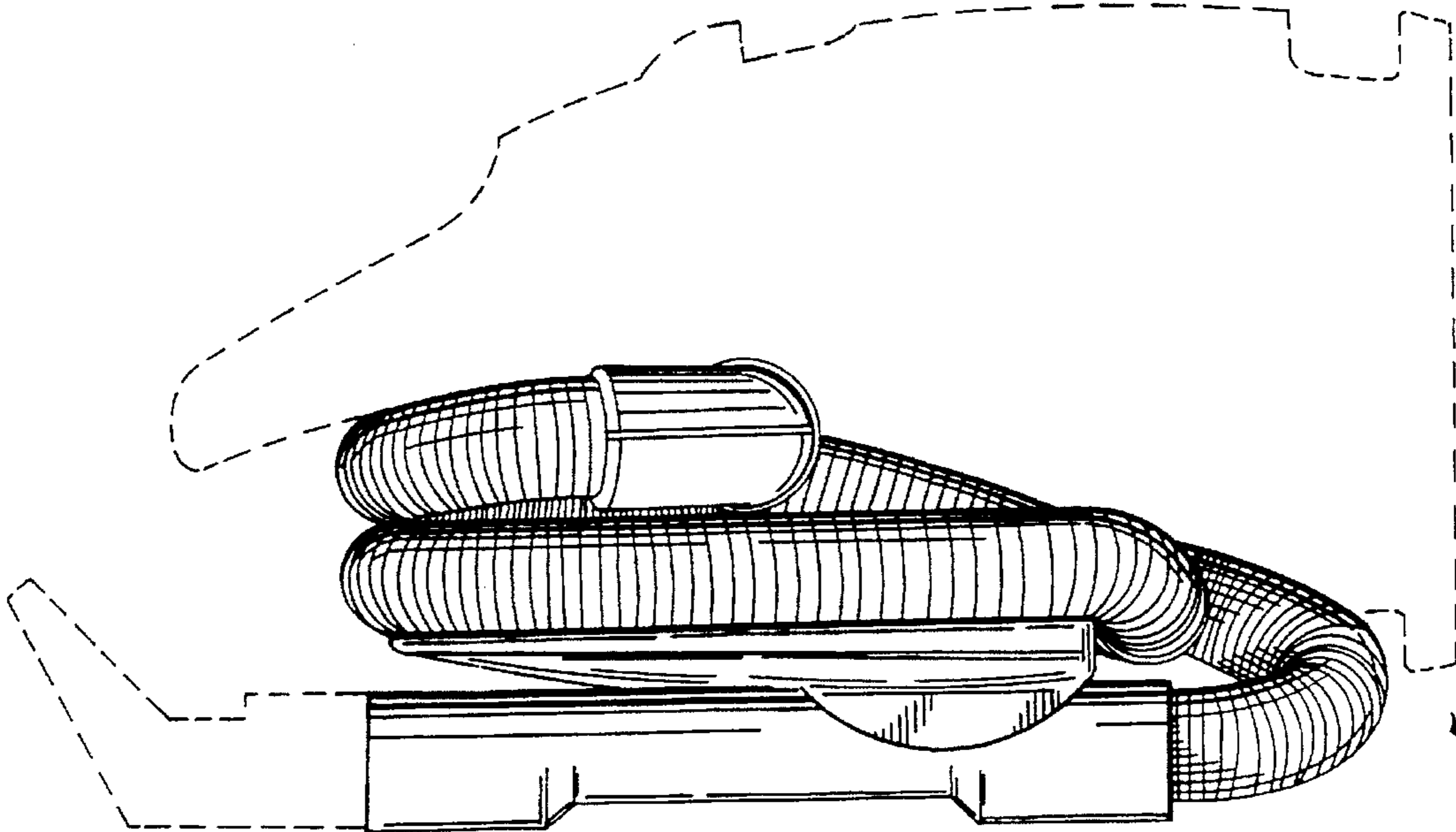




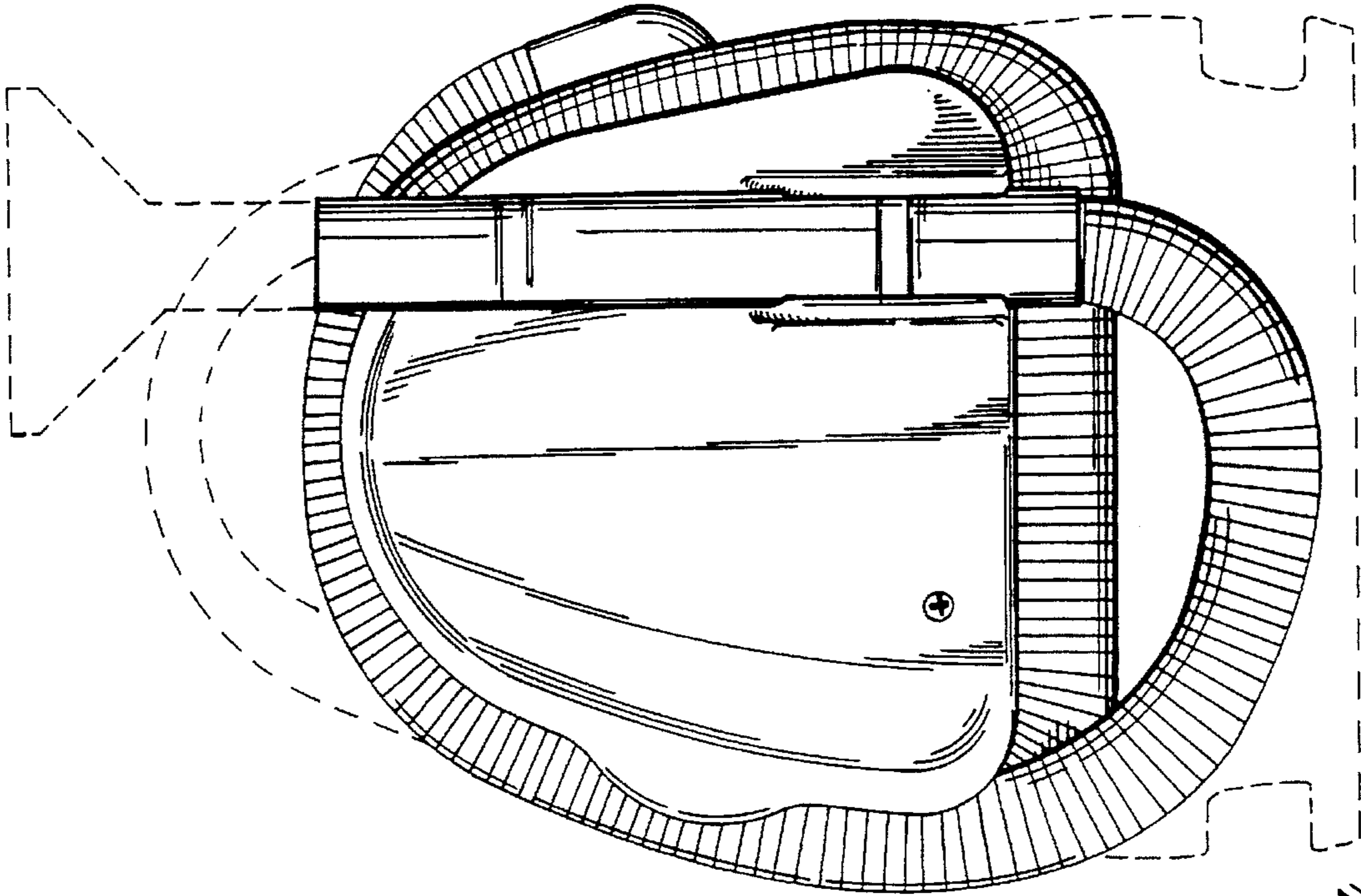
*Fig. 3*



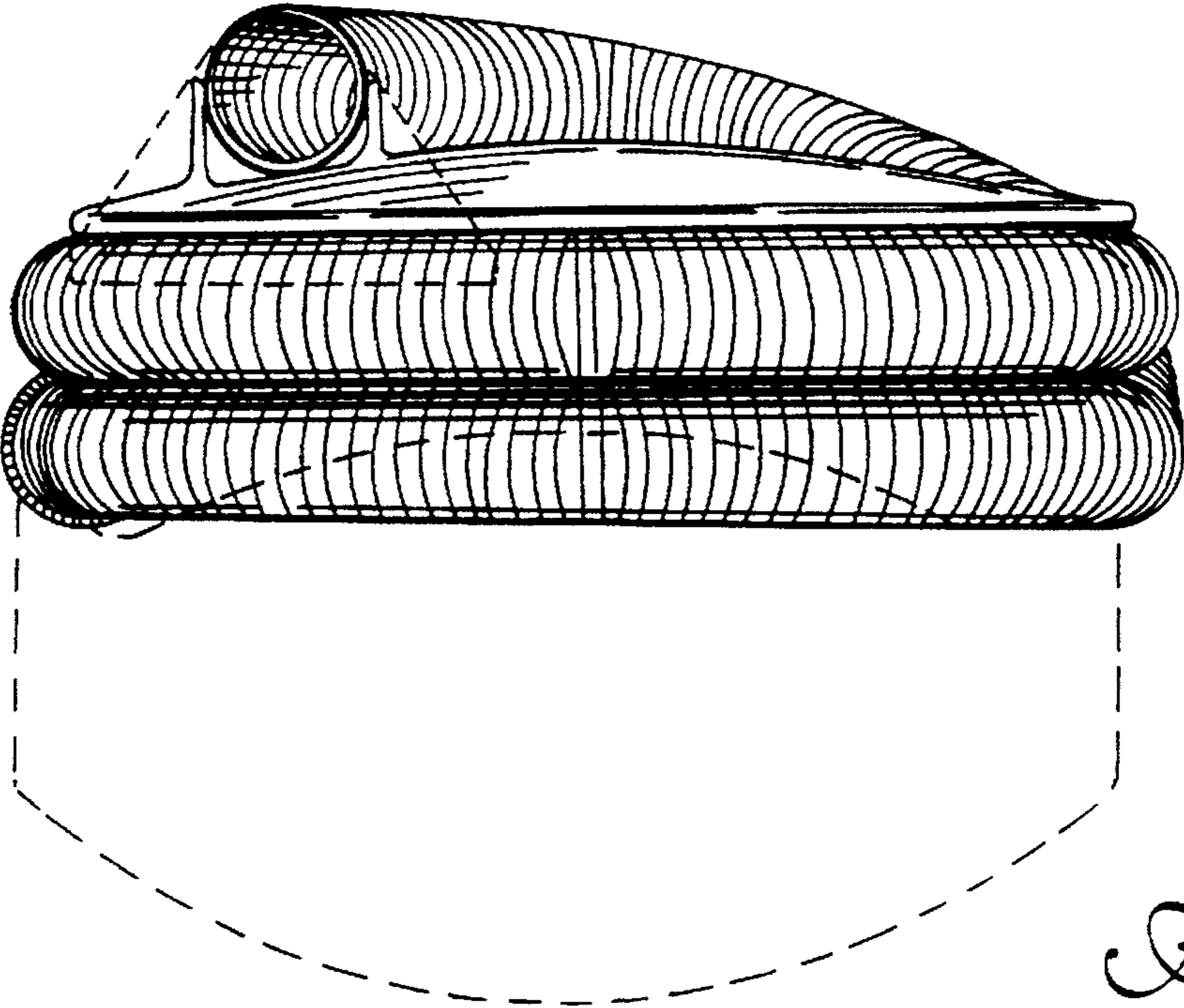
*Fig. 2*



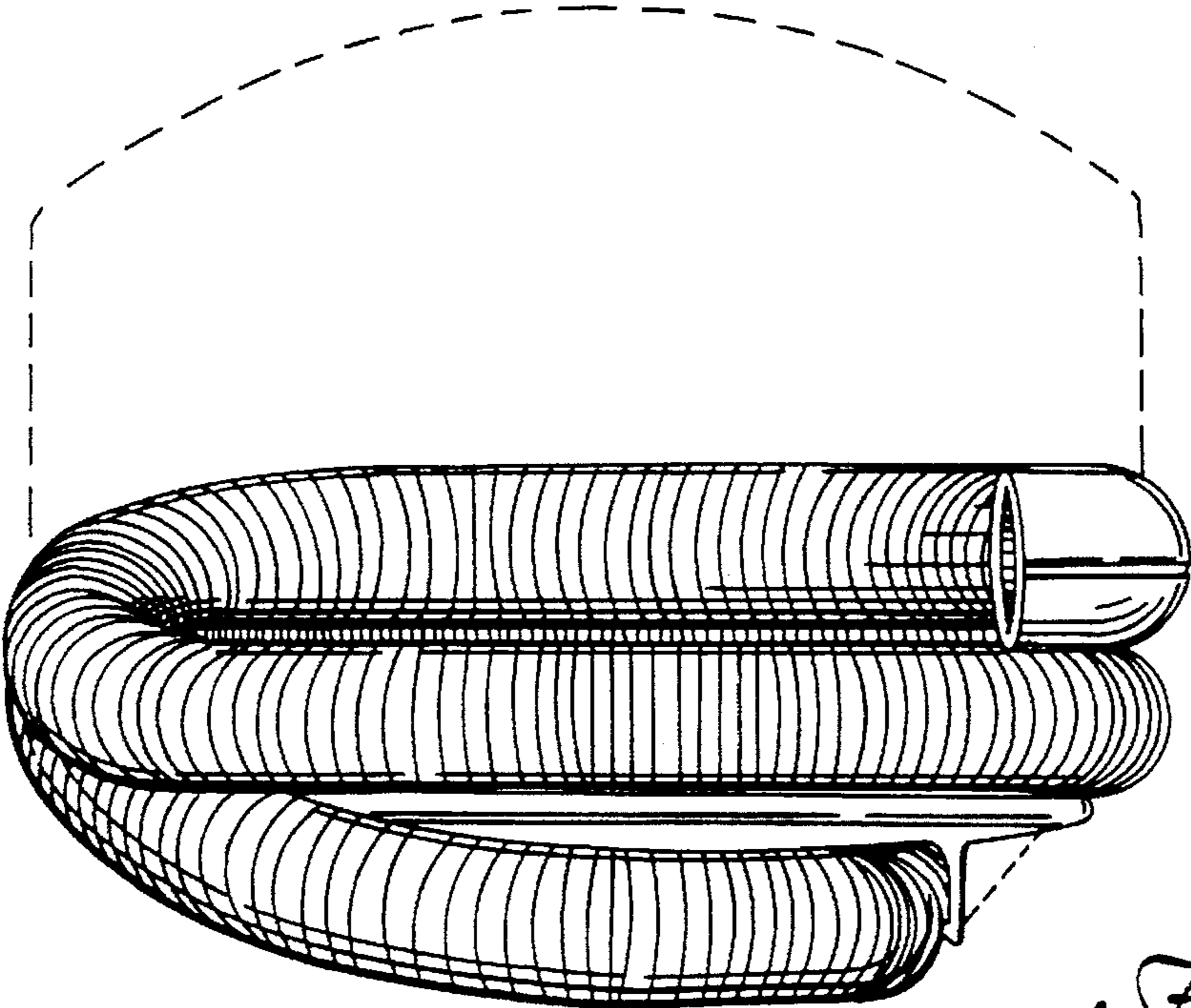
*Fig. 5*



*Fig. 4*



*Fig. 6*



*Fig. 7*