



US00D381481S

# United States Patent [19]

Medema et al.

[11] Patent Number: **Des. 381,481**

[45] Date of Patent: **\*\*Jul. 22, 1997**

[54] **PORTABLE WATER EXTRACTION  
CLEANER HOUSING**

[75] Inventors: **Douglas J. Medema, Belding; Robert  
C. Coon, Holland, both of Mich.**

[73] Assignee: **Bissell Inc., Grand Rapids, Mich.**

[\*\*] Term: **14 Years**

[21] Appl. No.: **51,562**

[22] Filed: **Mar. 13, 1996**

[51] LOC (6) Cl. .... **15-05**

[52] U.S. Cl. .... **D32/31**

[58] Field of Search ..... D32/31, 25, 32;  
D23/266; 15/323, 301, 257.01, 327.1, 327.2,  
336, 335, 321-322, 329, 327.5, 339, 410;  
239/195; 248/75

[56] **References Cited**

**U.S. PATENT DOCUMENTS**

- D. 325,453 4/1992 Tsuge .
- D. 325,658 4/1992 Brewin .
- D. 329,511 9/1992 McKnight .
- D. 330,616 10/1992 Waveham .
- D. 333,020 2/1993 McKnight .
- D. 334,261 3/1993 McKnight .
- D. 338,293 8/1993 Kojima et al. .
- D. 354,379 1/1995 Shinozaki .
- D. 358,236 5/1995 Kopco et al. .

- D. 368,993 4/1996 Stutzer et al. .... D32/21
- D. 371,652 7/1996 Umbach ..... D32/22
- 5,303,447 4/1994 McKnight .
- 5,309,600 5/1994 Weaver et al. .

**FOREIGN PATENT DOCUMENTS**

PCT/US94/  
01496 2/1994 WIPO .

*Primary Examiner*—Ruth McInroy  
*Attorney, Agent, or Firm*—Varnum, Riddering, Schmidt &  
Howlett LLP

[57] **CLAIM**

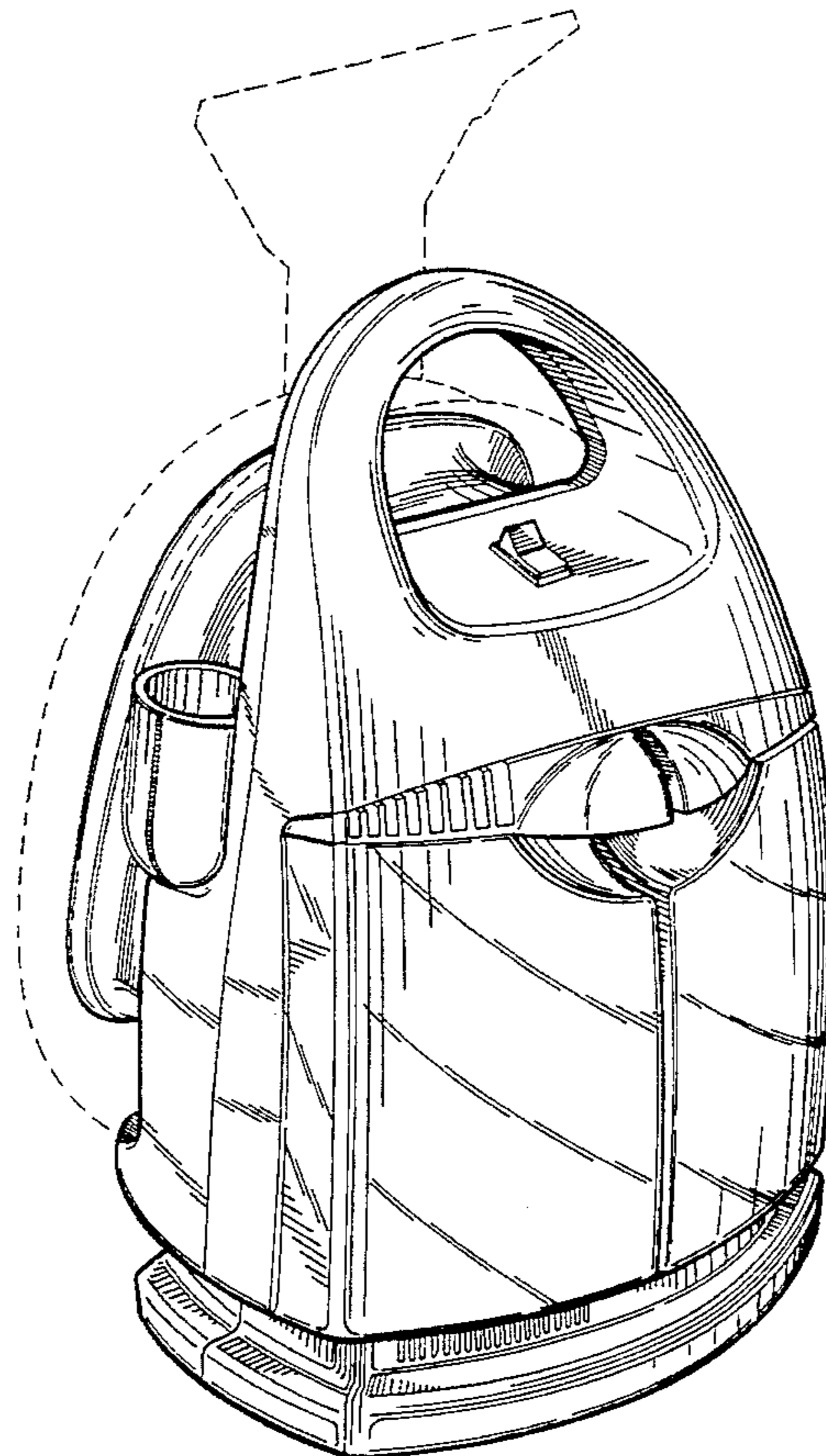
The ornamental design for a portable water extraction cleaner housing, as shown and described.

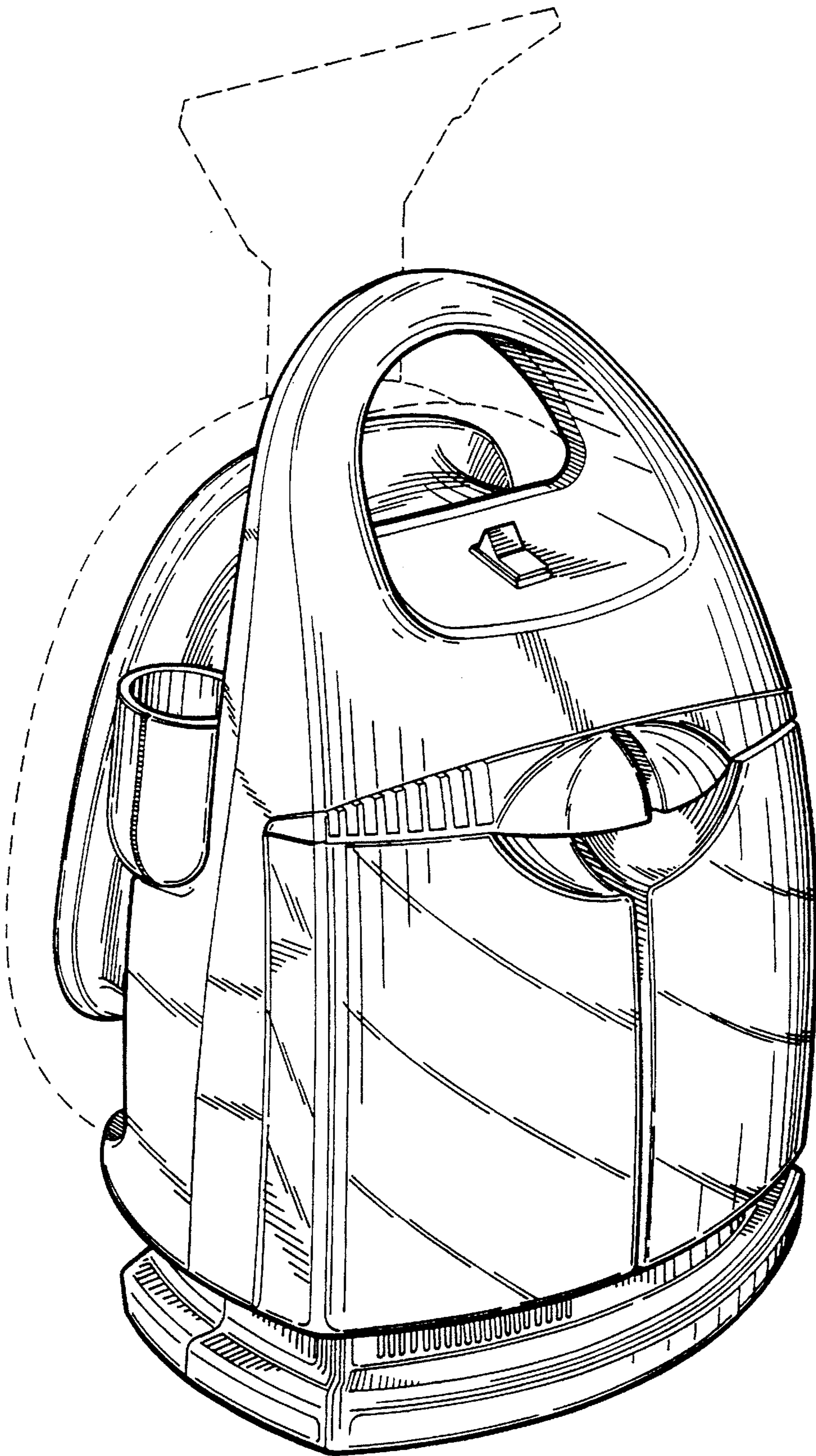
**DESCRIPTION**

FIG. 1 is a perspective view of a portable water extraction cleaner housing showing our new design; FIG. 2 is a front-elevational view thereof; FIG. 3 is a right, side-elevational view thereof; FIG. 4 is a rear-elevational view thereof; FIG. 5 is a left side-elevational view thereof; FIG. 6 is a top plan view thereof; and, FIG. 7 is a bottom plan view thereof.

The broken line showing of the hose, wand, and cleaning tool in FIGS. 1-7 is for illustrative purposes only and forms no part of the claimed design.

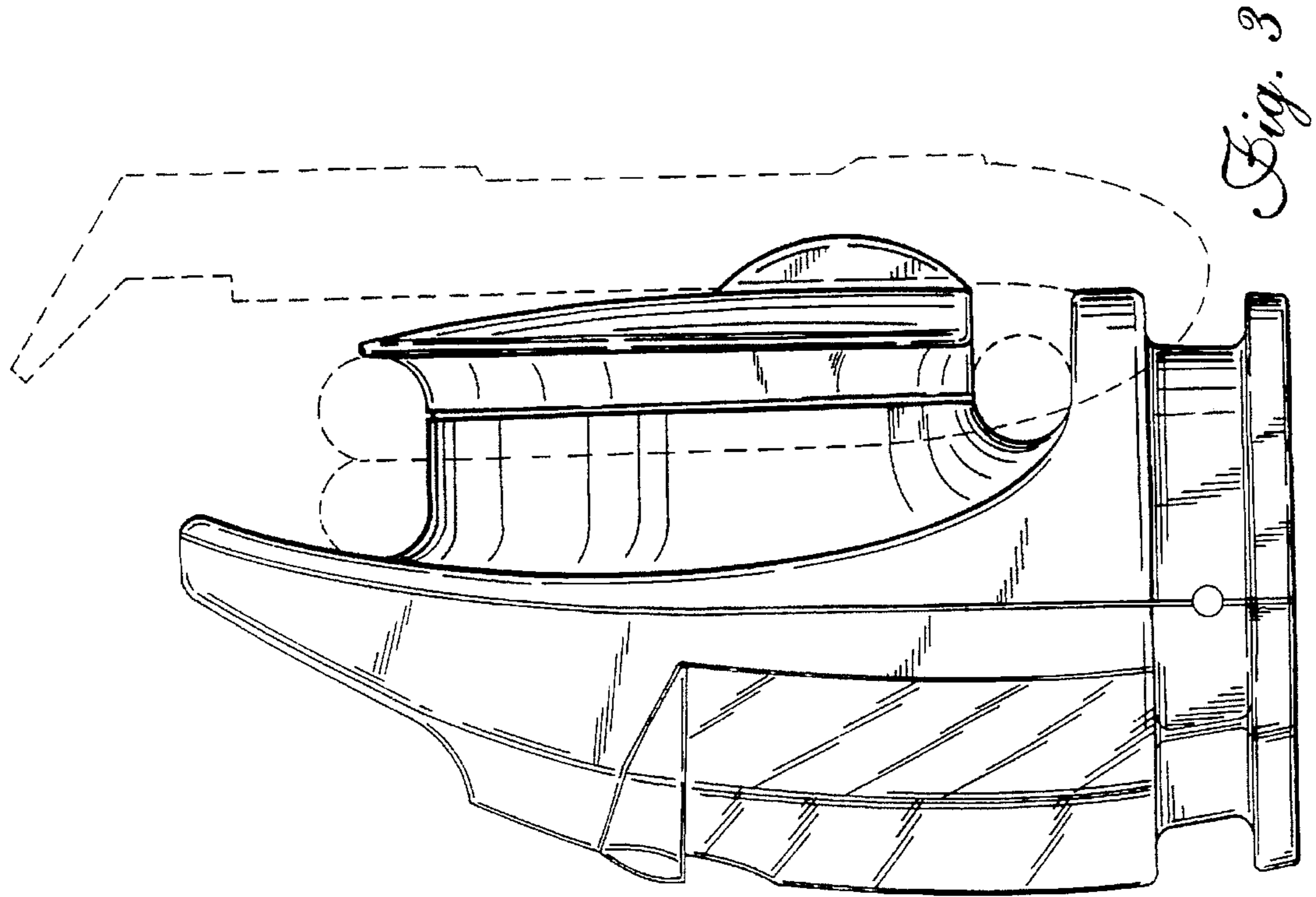
**1 Claim, 4 Drawing Sheets**



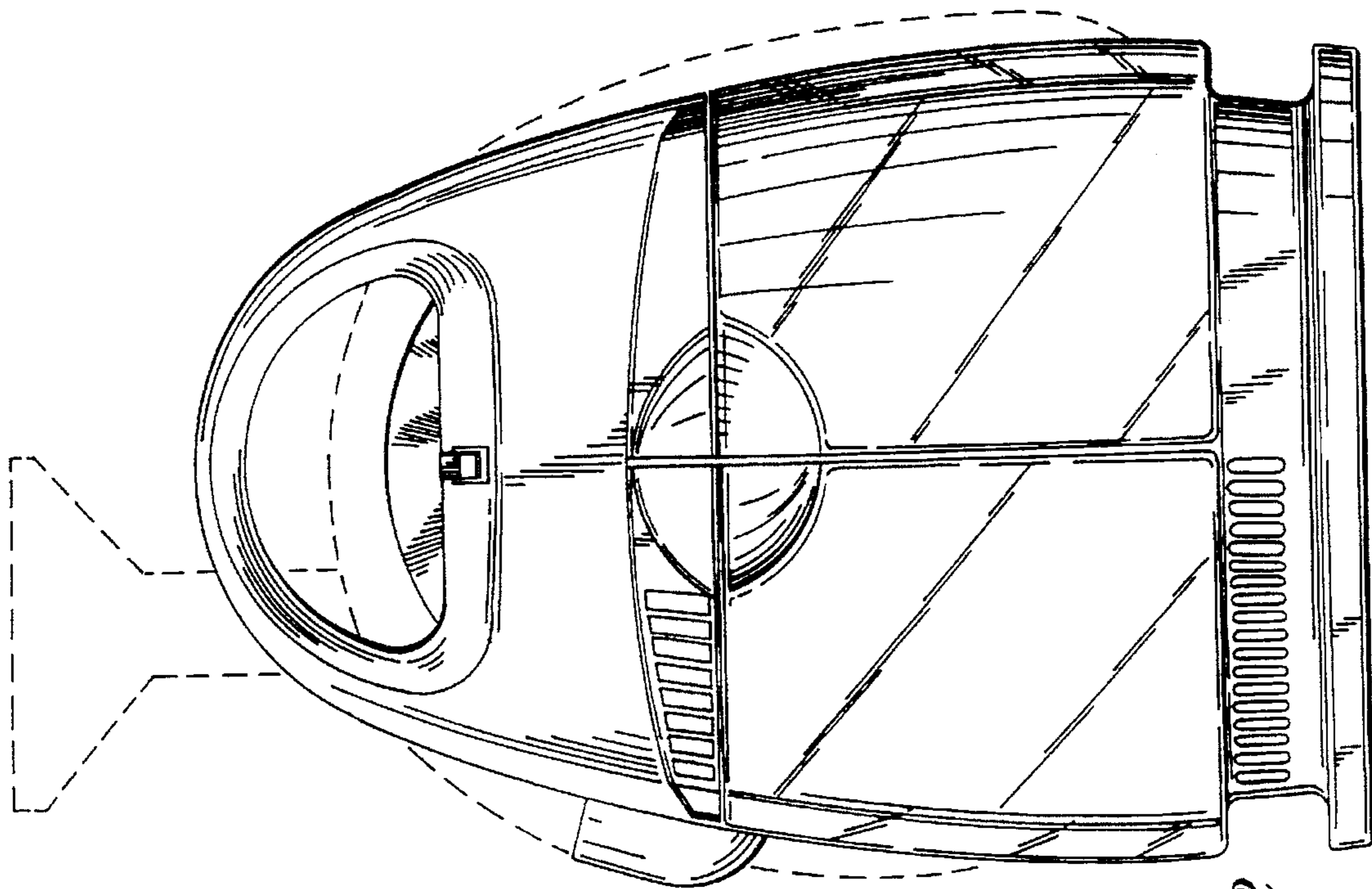


*Fig. 1*

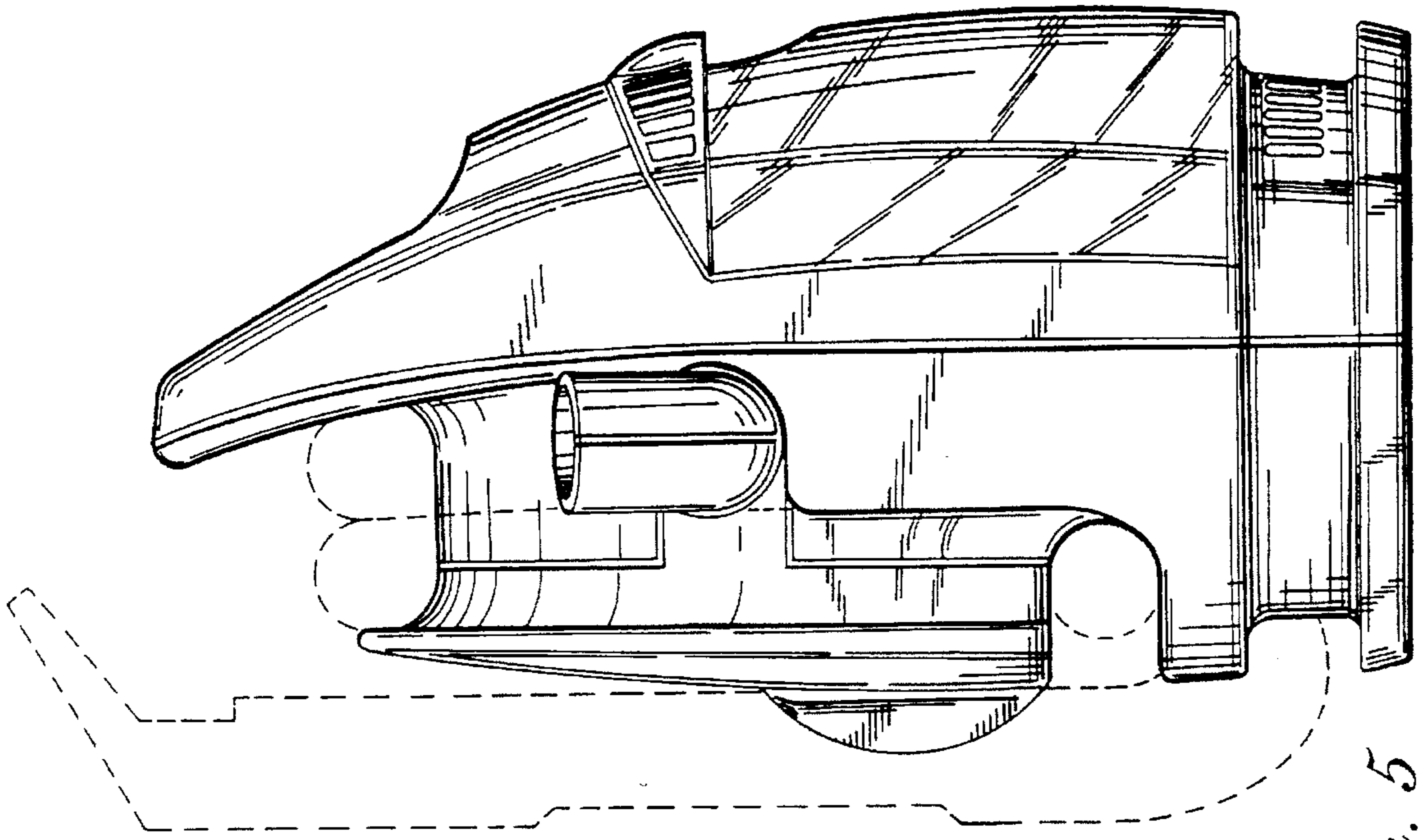




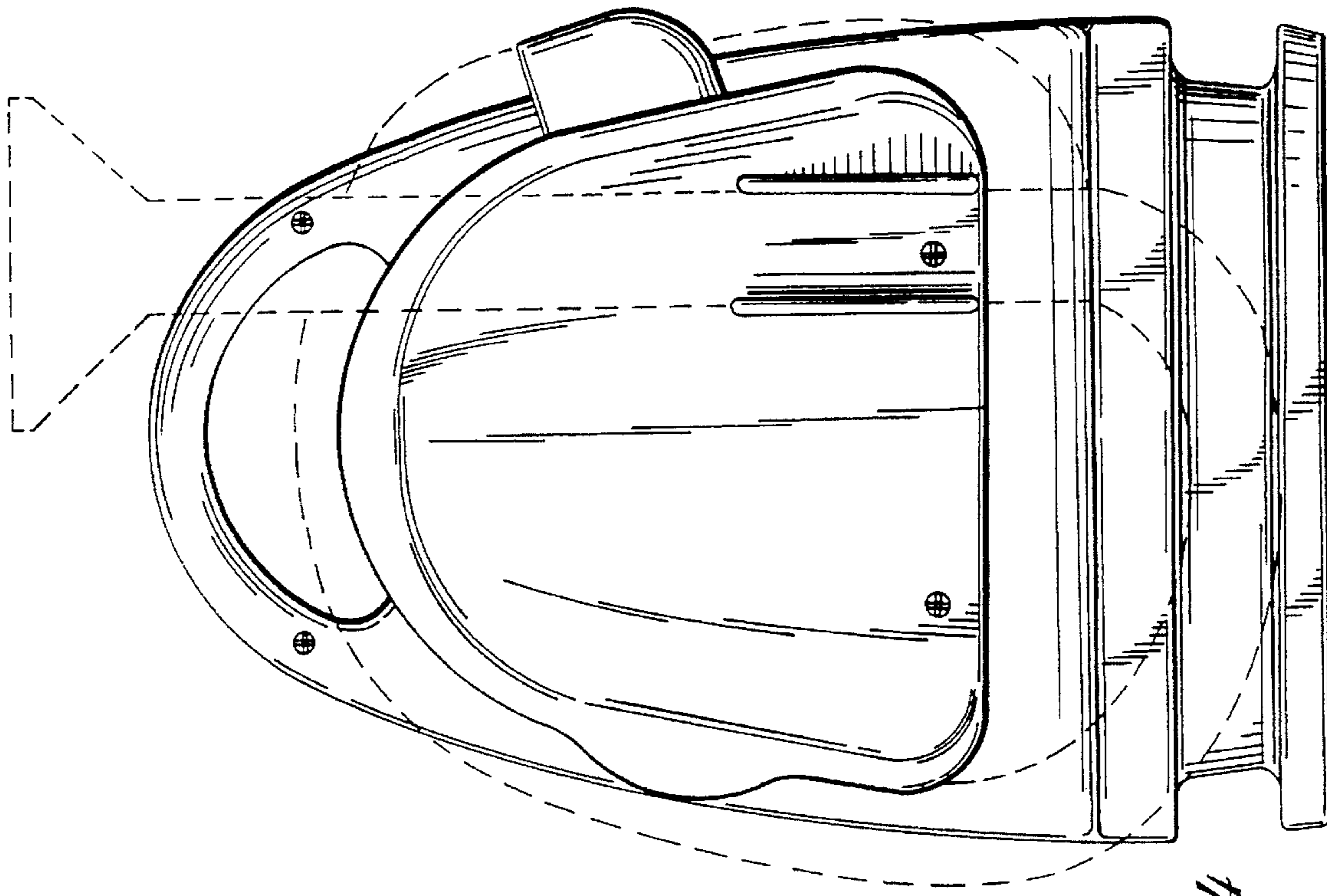
*Fig. 3*



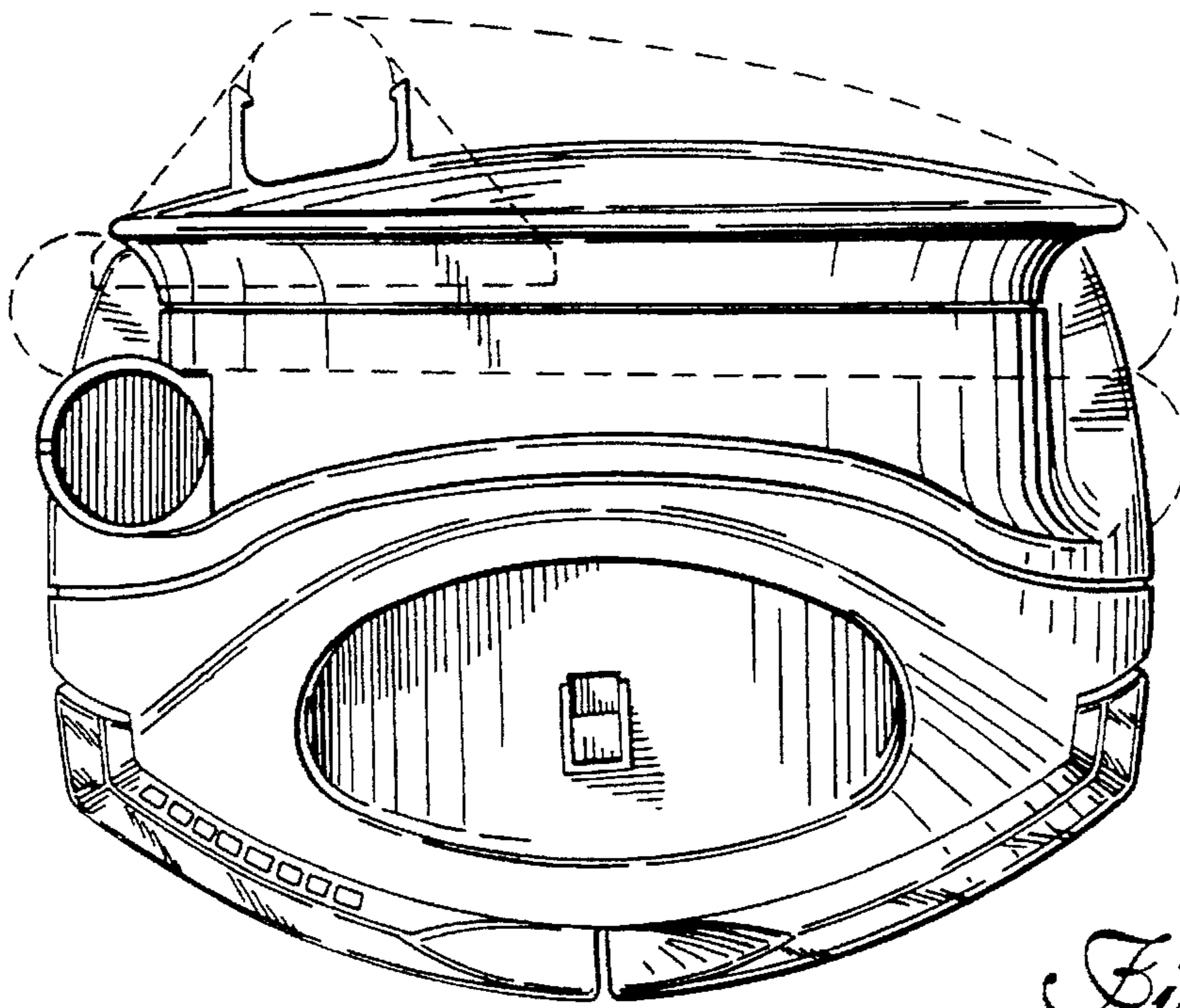
*Fig. 2*



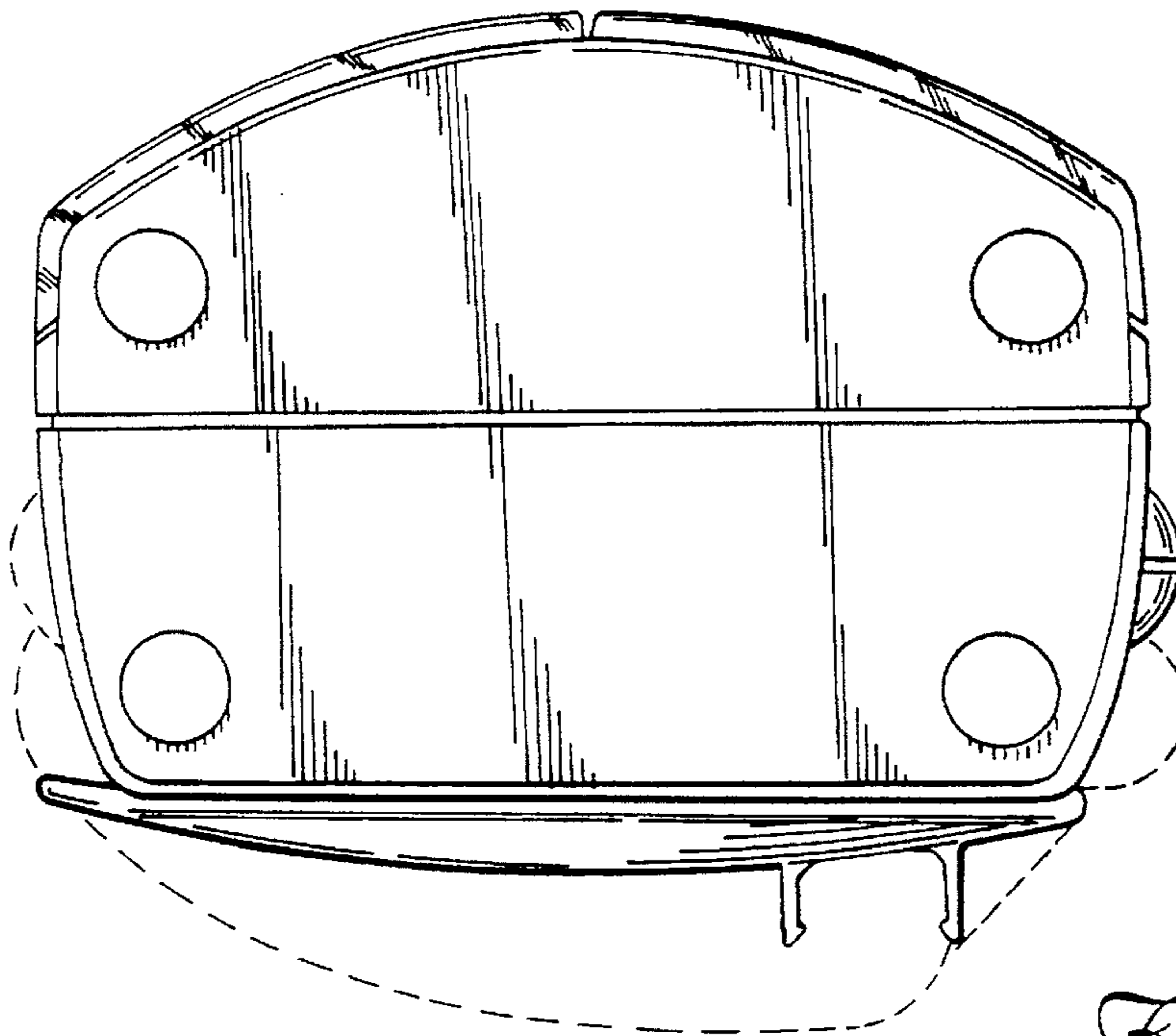
*Fig. 5*



*Fig. 4*



*Fig. 6*



*Fig. 7*