



US00D381480S

United States Patent [19]

Linville et al.

[11] Patent Number: **Des. 381,480**

[45] Date of Patent: ****Jul. 22, 1997**

[54] **DEBRIS COLLECTION HOPPER**

[76] Inventors: **Ronny E. Linville**, 4984 Casa Loma Cir.; **Roger D. Linville**, 5464 Lakeview St., both of Yorba Linda, Calif. 92686

[**] Term: **14 Years**

[21] Appl. No.: **30,907**

[22] Filed: **Nov. 14, 1994**

[51] LOC (6) Cl. **15-05**

[52] U.S. Cl. **D32/30; D15/17**

[58] Field of Search D32/15-17, 25, D32/30-31; 56/199, 202-205, 206; 15/340.1, 347, 352, 354; D15/17

[56] **References Cited**

U.S. PATENT DOCUMENTS

D. 321,889	11/1991	Burns et al.	D15/17
D. 326,544	5/1992	Yamamoto	D32/21
3,037,339	6/1962	Nicholson	56/202
4,017,281	4/1977	Johnstone	55/334

5,076,045	12/1991	McClung, IV	56/199
5,138,742	8/1992	Charky	15/340.1
5,218,737	6/1993	Dansby et al.	15/347
5,287,684	2/1994	Beroth	56/13.2

Primary Examiner—B. J. Bullock
Assistant Examiner—Stacia Sinuik
Attorney, Agent, or Firm—Fulwider Patton Lee & Utecht LLP

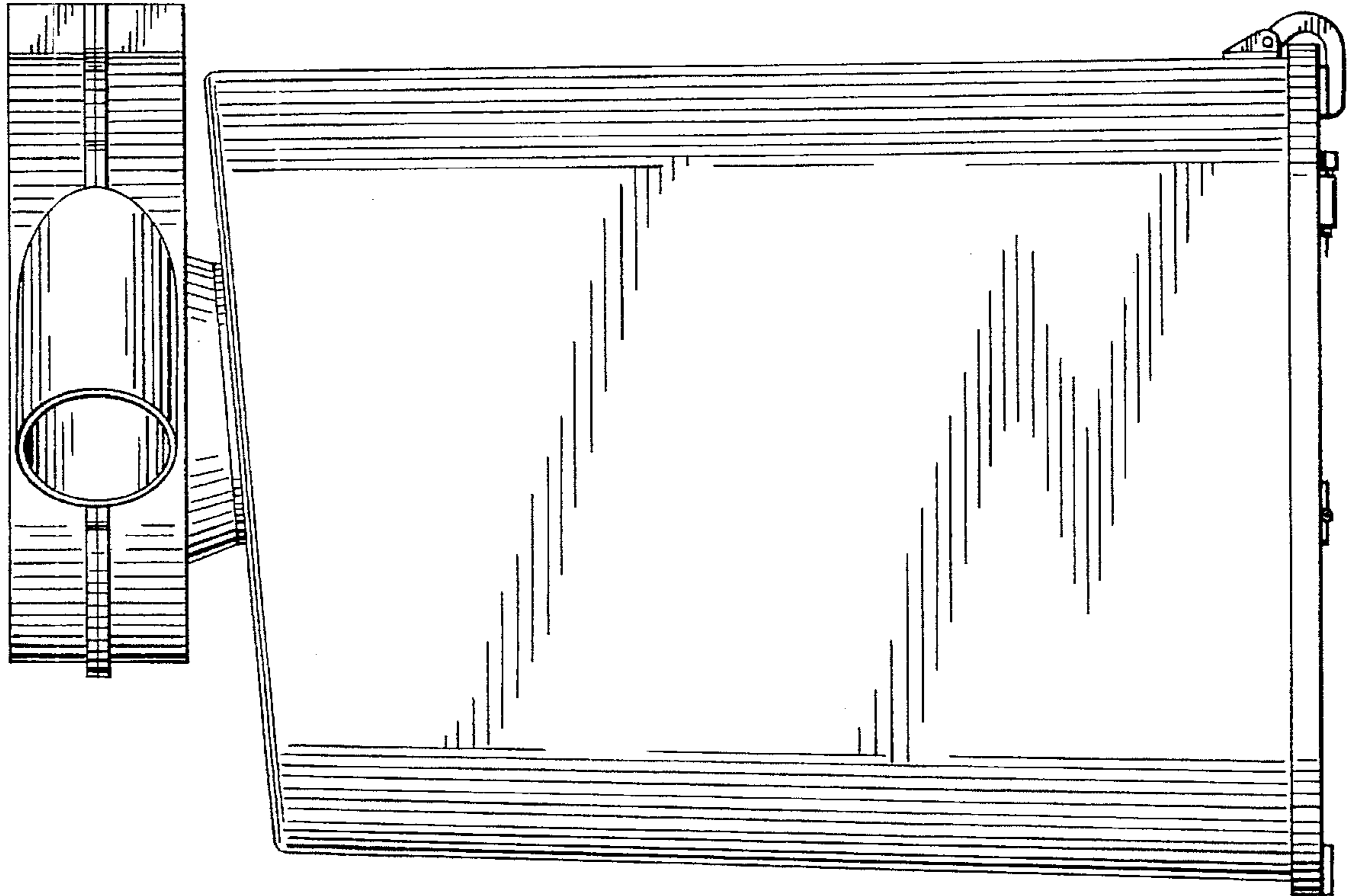
[57] **CLAIM**

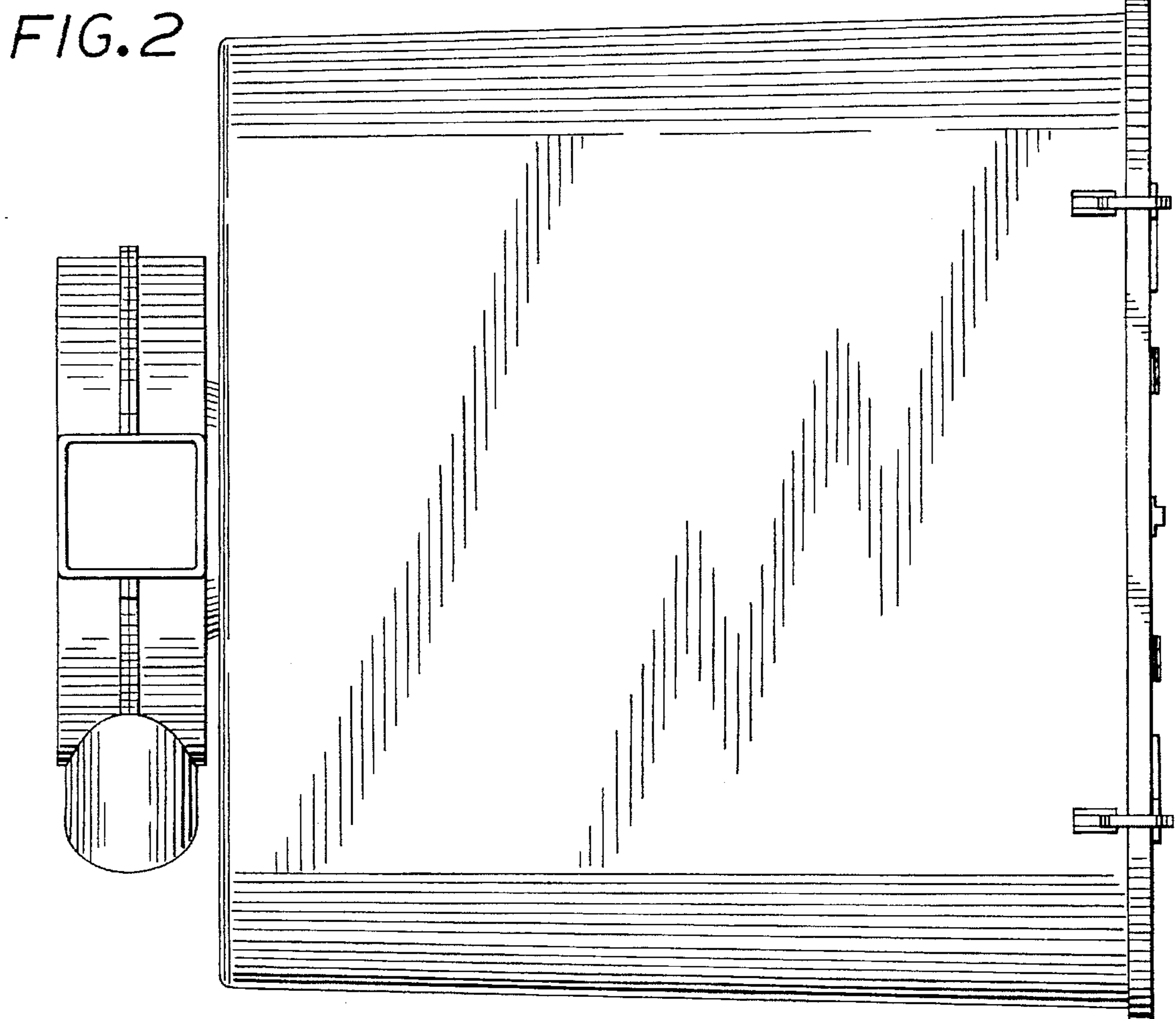
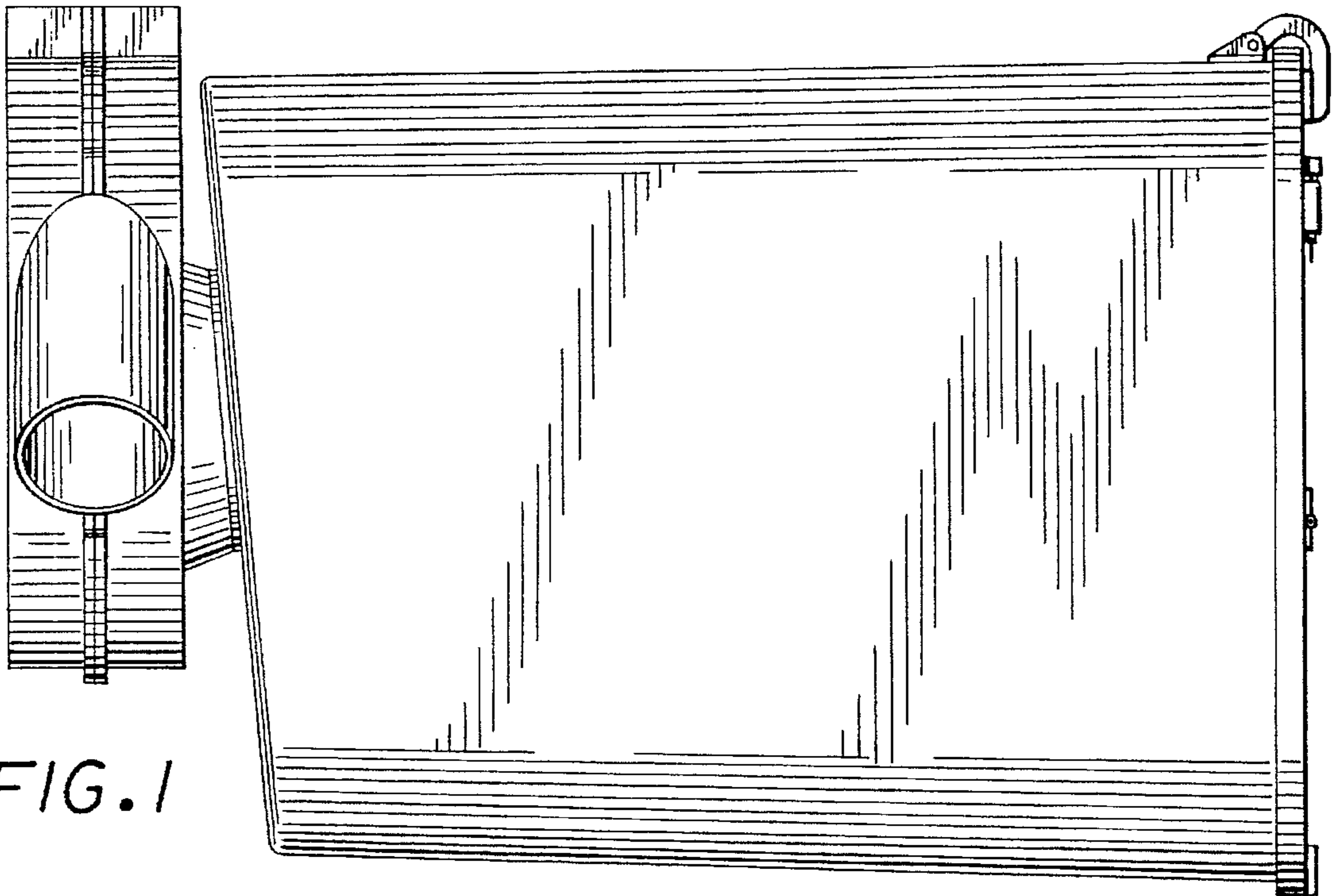
The ornamental design for a debris collection hopper, as shown and described.

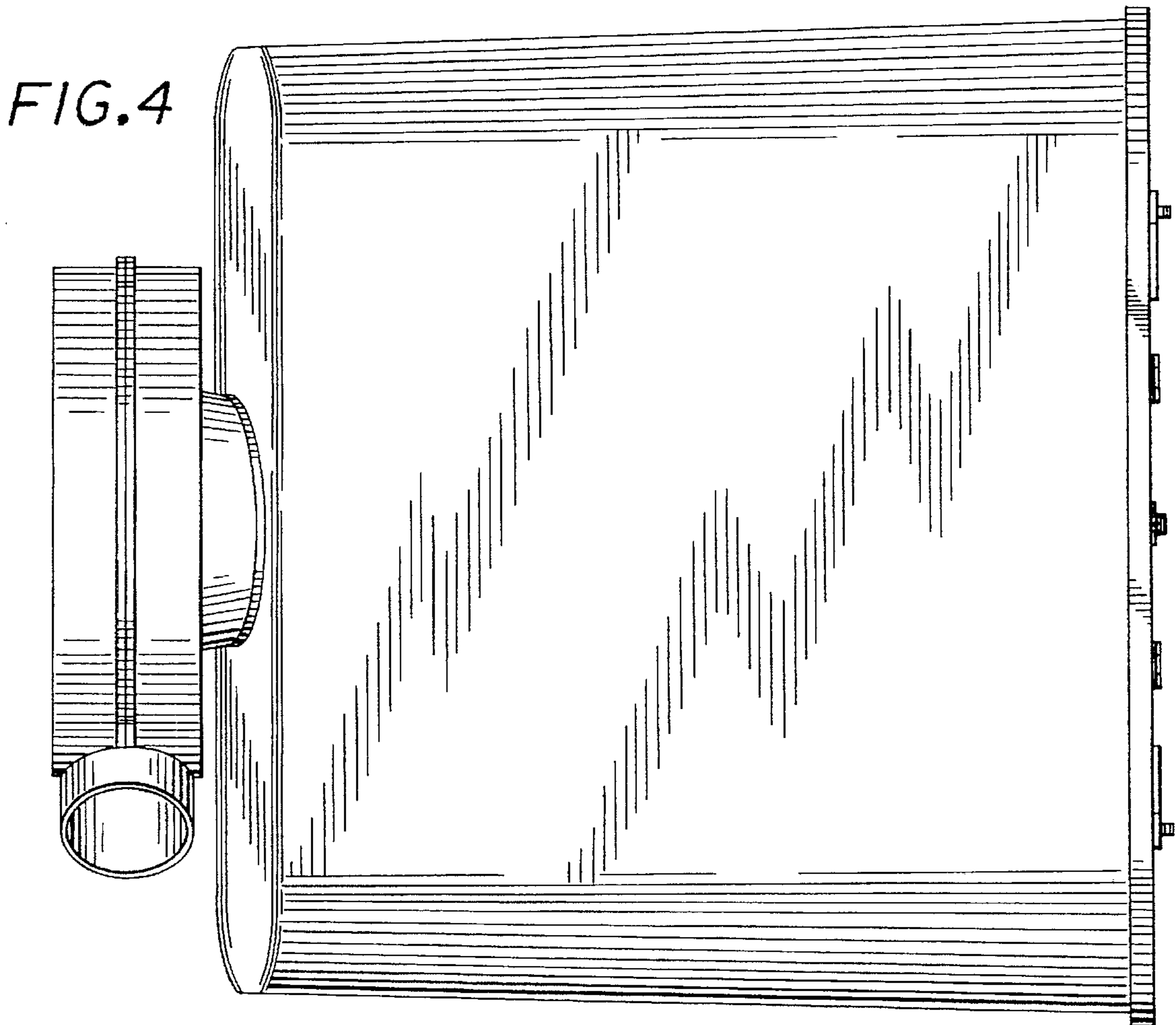
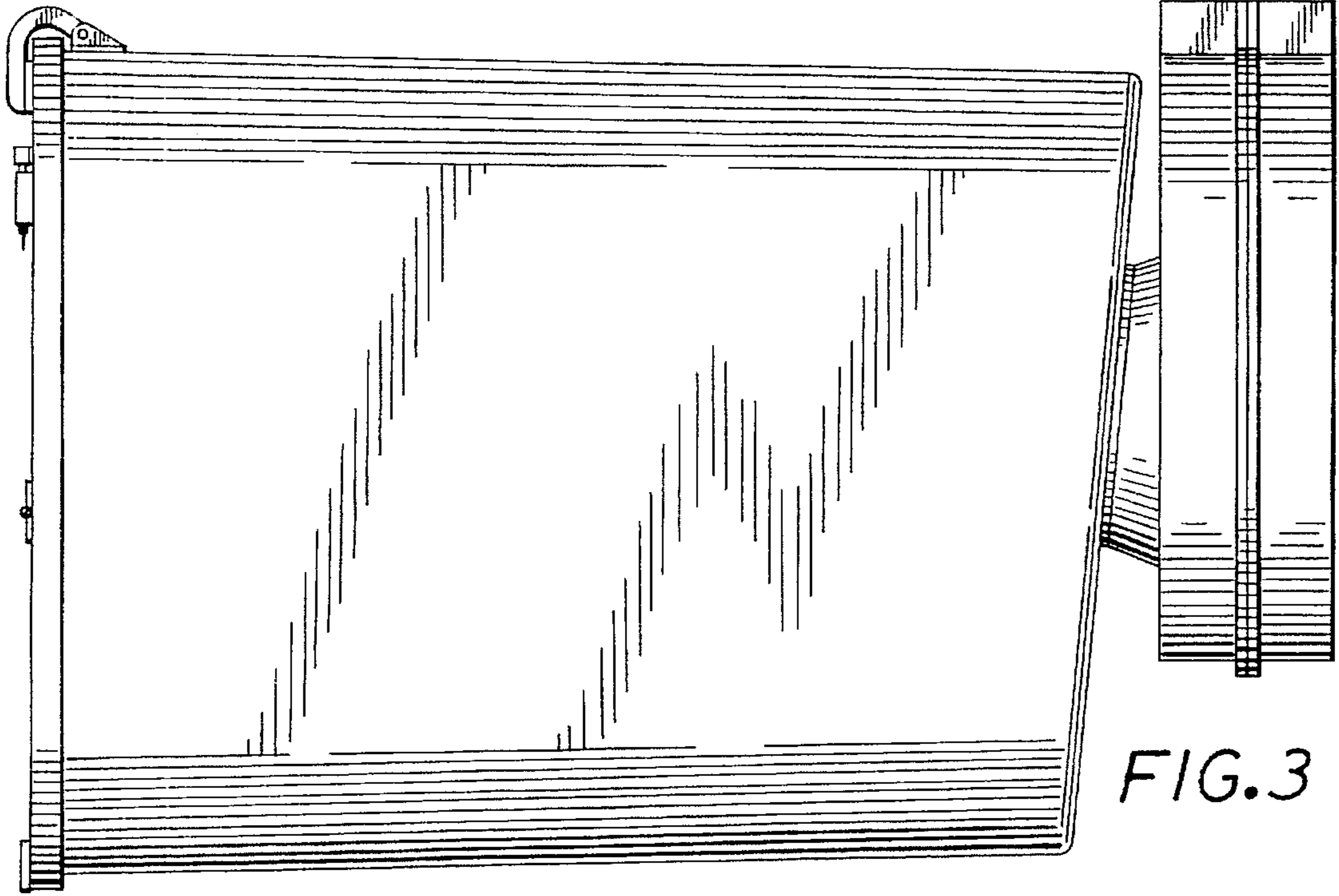
DESCRIPTION

FIG. 1 is a left hand view of a debris collection hopper showing my new design;
FIG. 2 is a top view thereof;
FIG. 3 is a right hand view thereof;
FIG. 4 is a bottom view thereof;
FIG. 5 is a front view thereof; and,
FIG. 6 is a back view thereof.

1 Claim, 3 Drawing Sheets







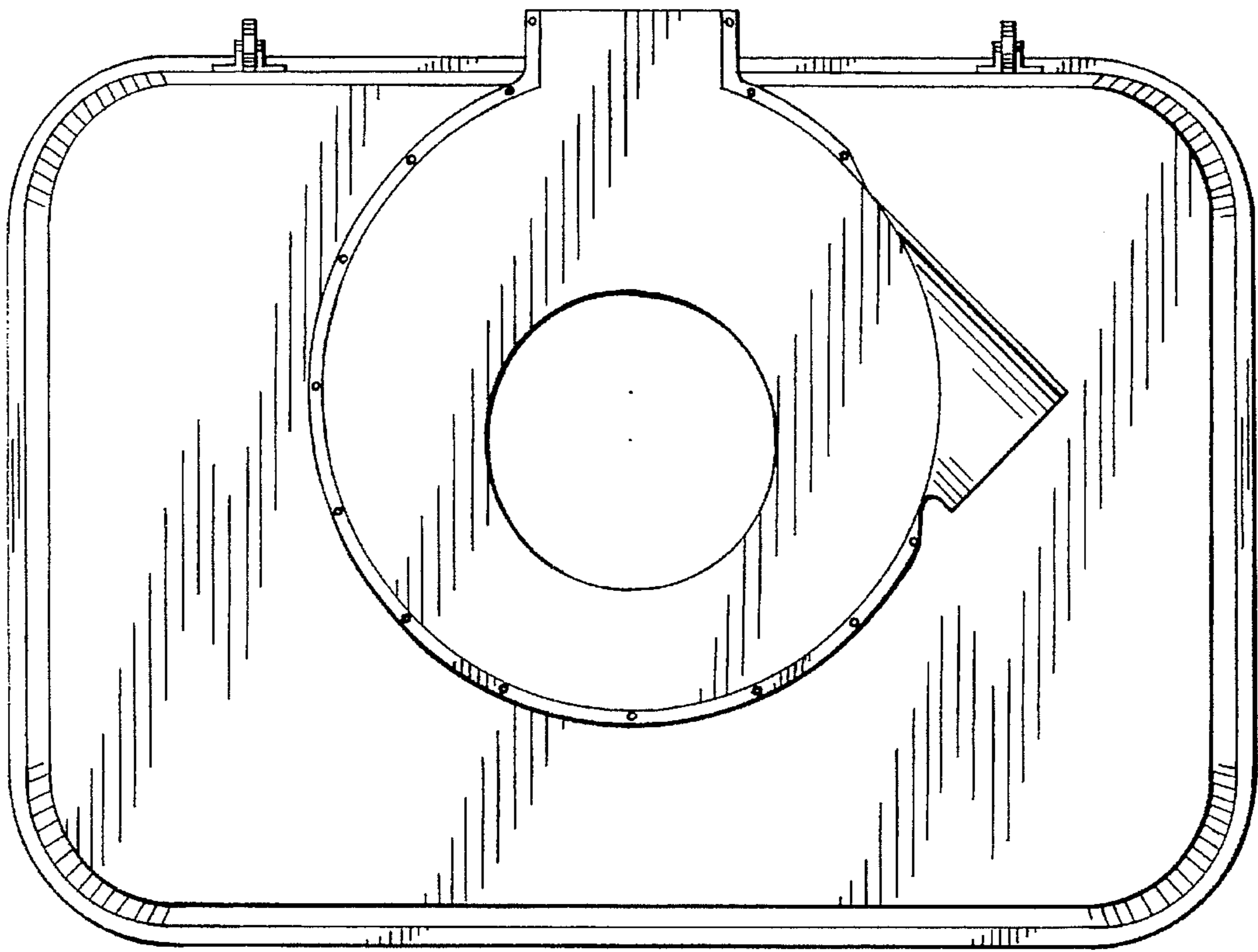


FIG. 5

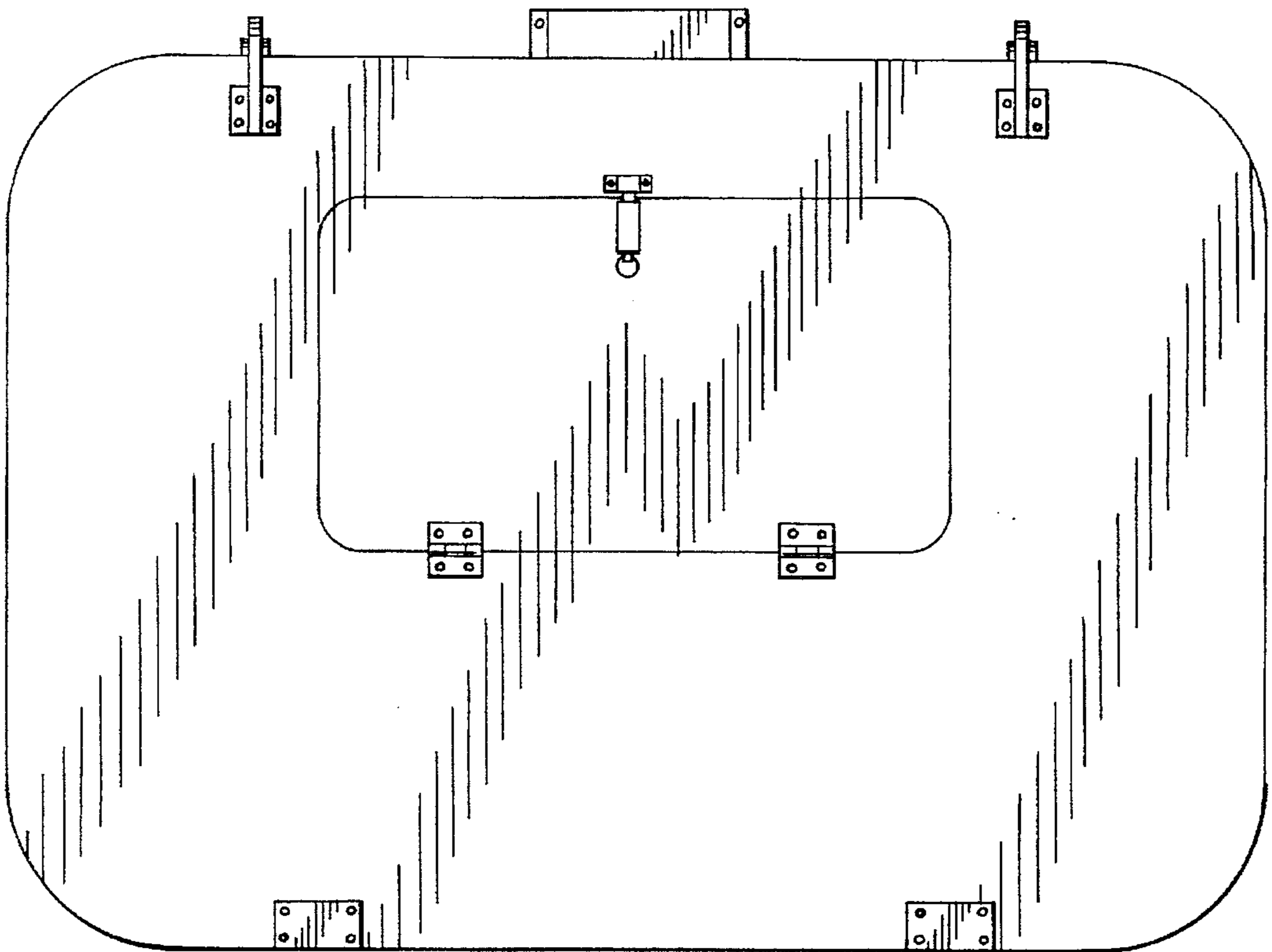


FIG. 6