



US00D381479S

# United States Patent [19]

Wörwag

[11] Patent Number: **Des. 381,479**

[45] Date of Patent: **\*\*Jul. 22, 1997**

[54] **VACUUM CLEANER**

[75] Inventor: **Peter Wörwag**, Romanshorn, Switzerland

[73] Assignee: **Firma Fedag**, Romanshorn, Switzerland

[\*\*] Term: **14 Years**

[21] Appl. No.: **53,909**

[22] Filed: **May 1, 1996**

D. 313,293	12/1990	Hohulin et al.	.....	D32/22
D. 314,260	1/1991	Lee	.....	D32/22
D. 315,042	2/1991	Ikeda	.....	D32/22
5,500,979	3/1996	Worwag	.....	15/349

*Primary Examiner*—Ruth McInroy  
*Attorney, Agent, or Firm*—Robert W. Becker & Associates

## [57] CLAIM

The ornamental design for a vacuum cleaner, as shown and described.

### Related U.S. Application Data

[62] Division of Ser. No. 28,782, Sep. 16, 1994.

### [30] Foreign Application Priority Data

Mar. 23, 1994 [GB] United Kingdom ..... M9402490.1

[51] LOC (6) Cl. .... 15-05

[52] U.S. Cl. .... D32/22

[58] Field of Search ..... D32/21, 22, 31-34;  
15/335, 347, 350, 351, 344, 352, 349

### [56] References Cited

#### U.S. PATENT DOCUMENTS

D. 310,438 9/1990 Burns ..... D32/22

### DESCRIPTION

FIG. 1 is a perspective view of vacuum cleaner showing my new design;

FIG. 2 is a front view thereof;

FIG. 3 is a left side view thereof;

FIG. 4 is a right side view thereof;

FIG. 5 is a rear view thereof;

FIG. 6 is a top view thereof; and,

FIG. 7 is a bottom view thereof.

**1 Claim, 5 Drawing Sheets**

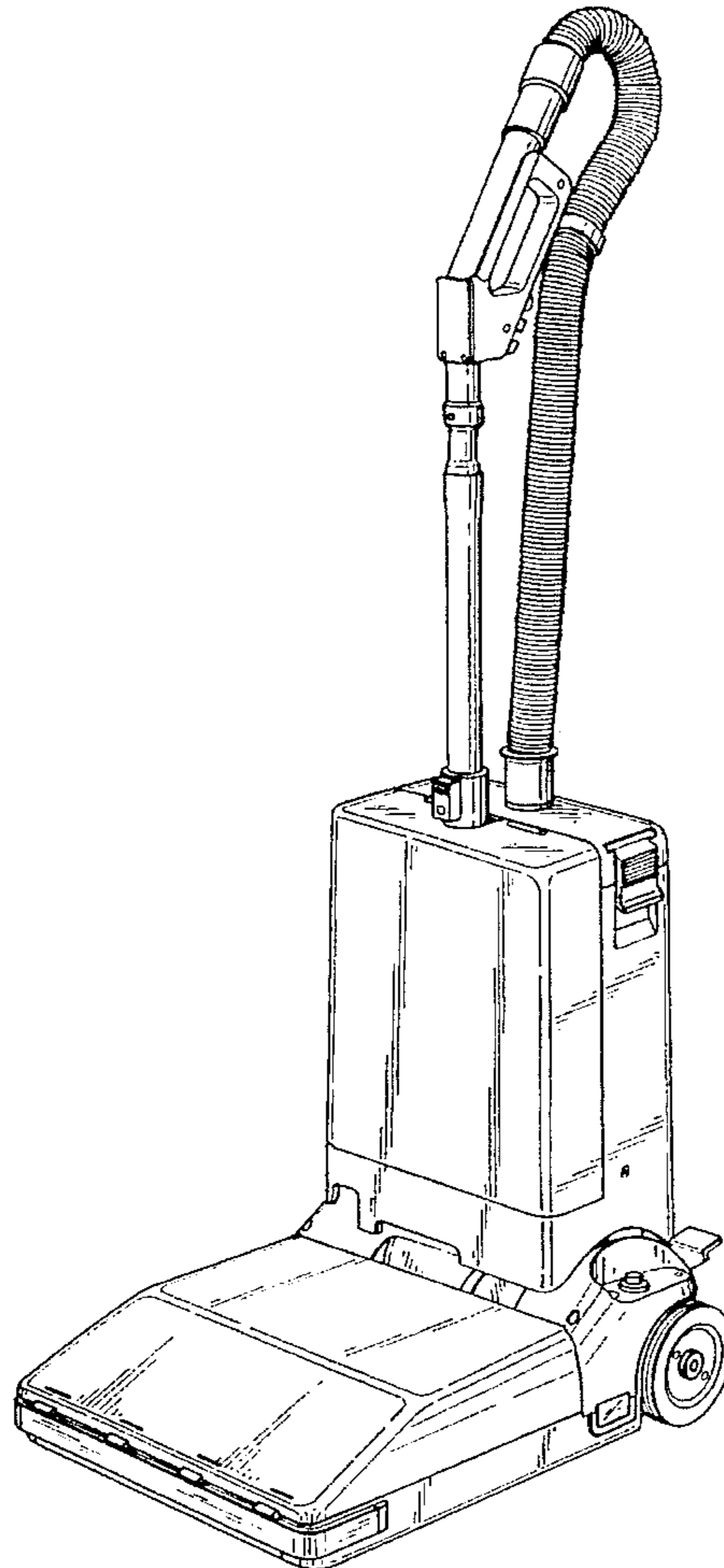
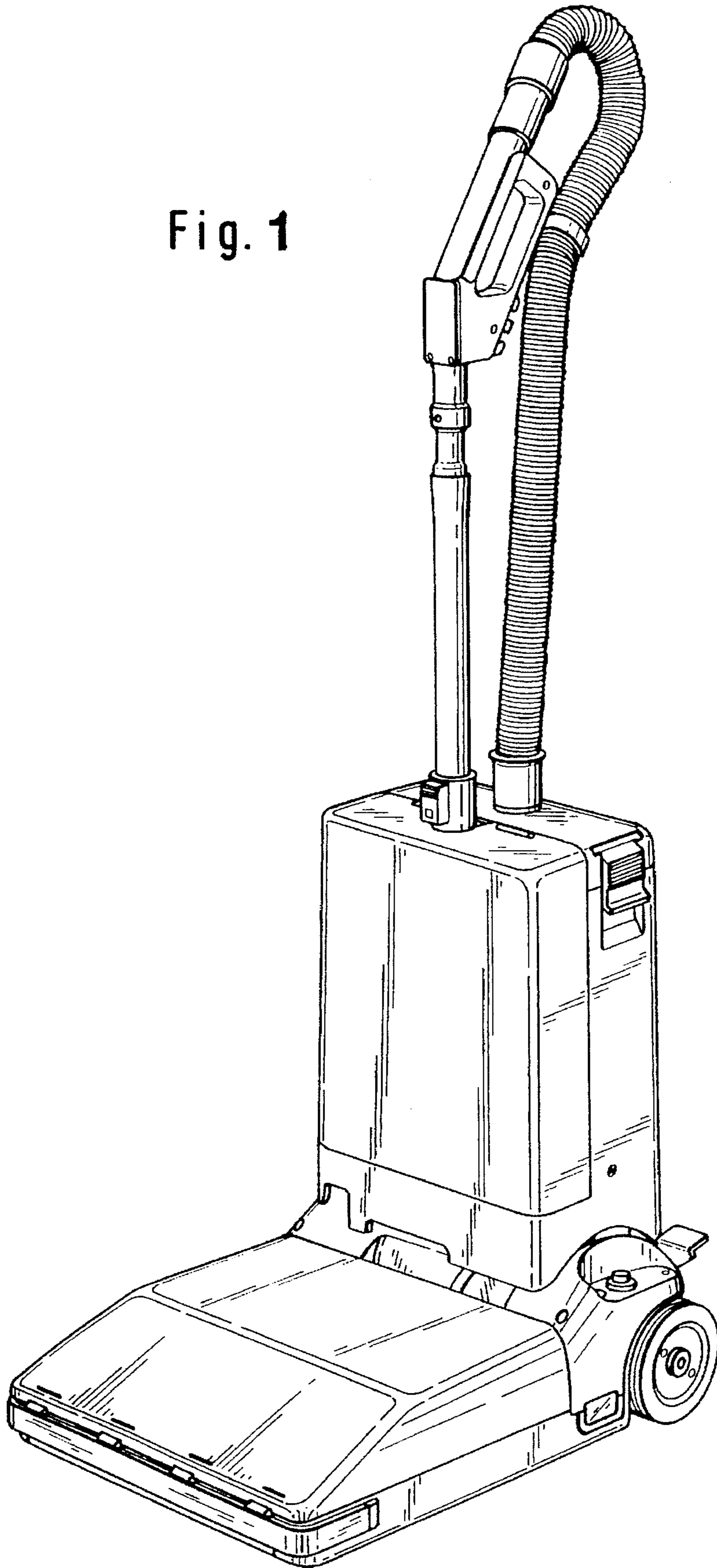


Fig. 1



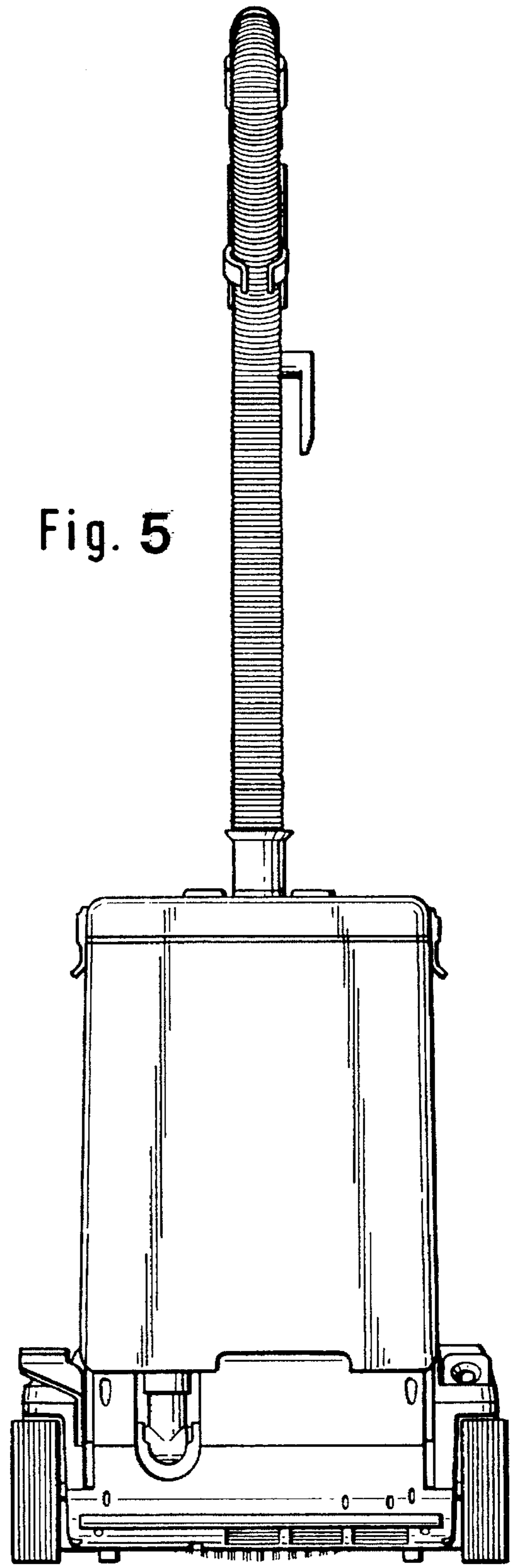
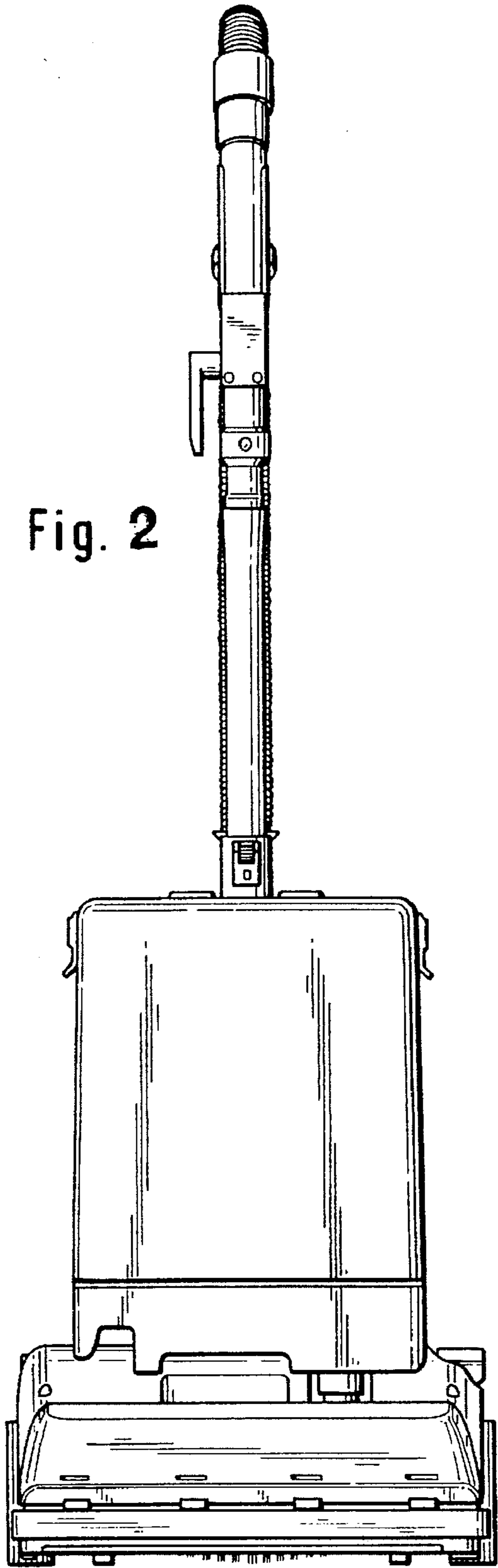
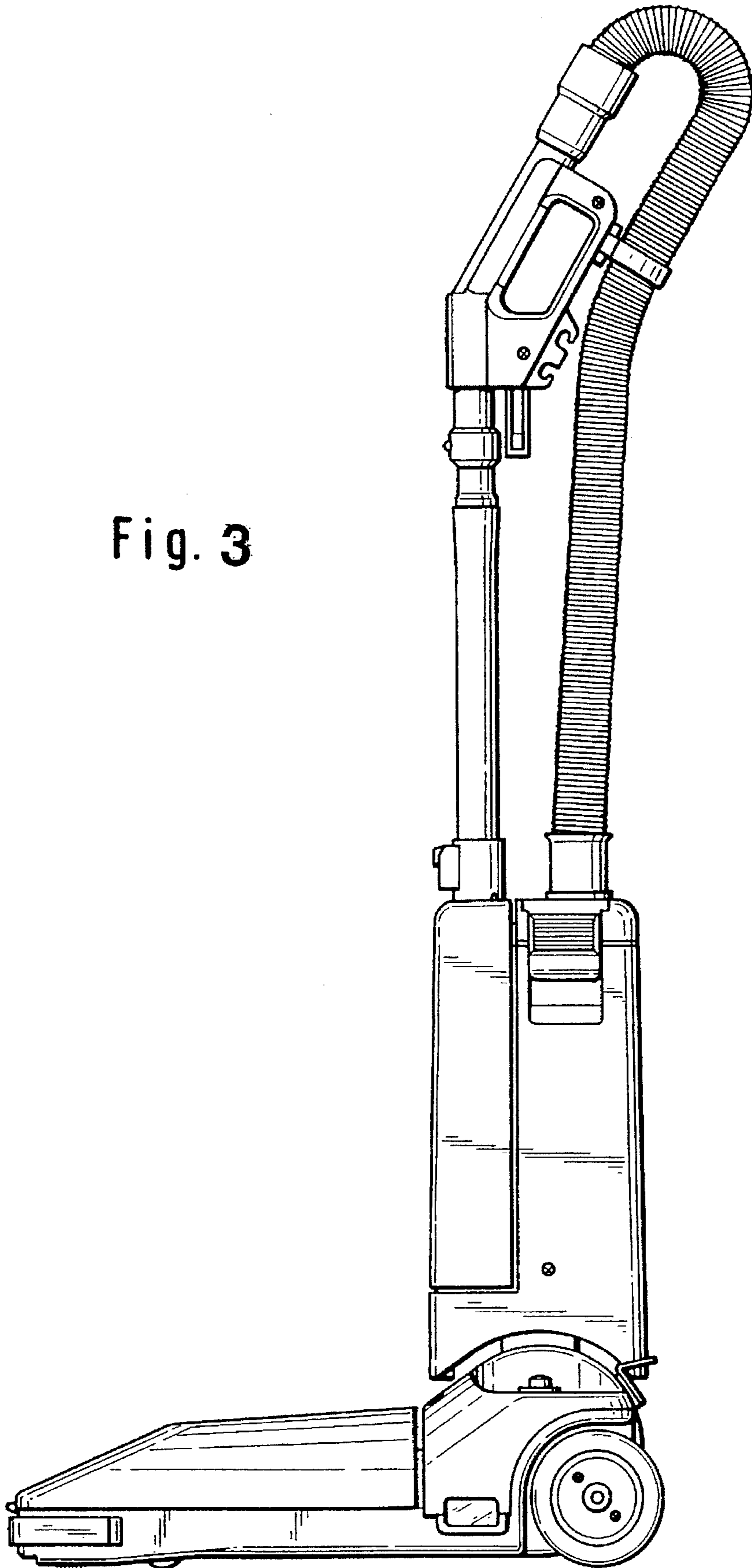


Fig. 3



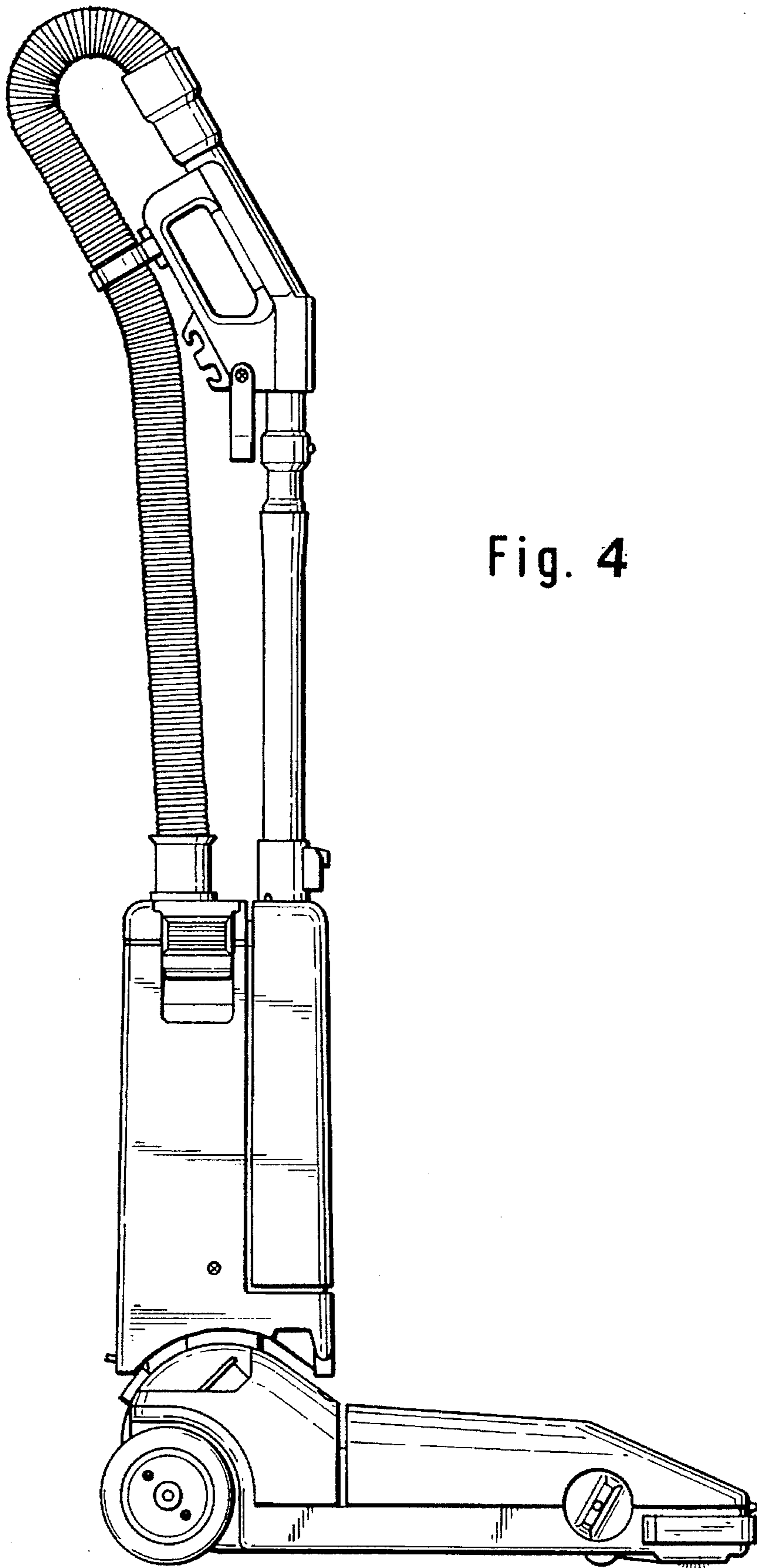


Fig. 4

Fig. 6

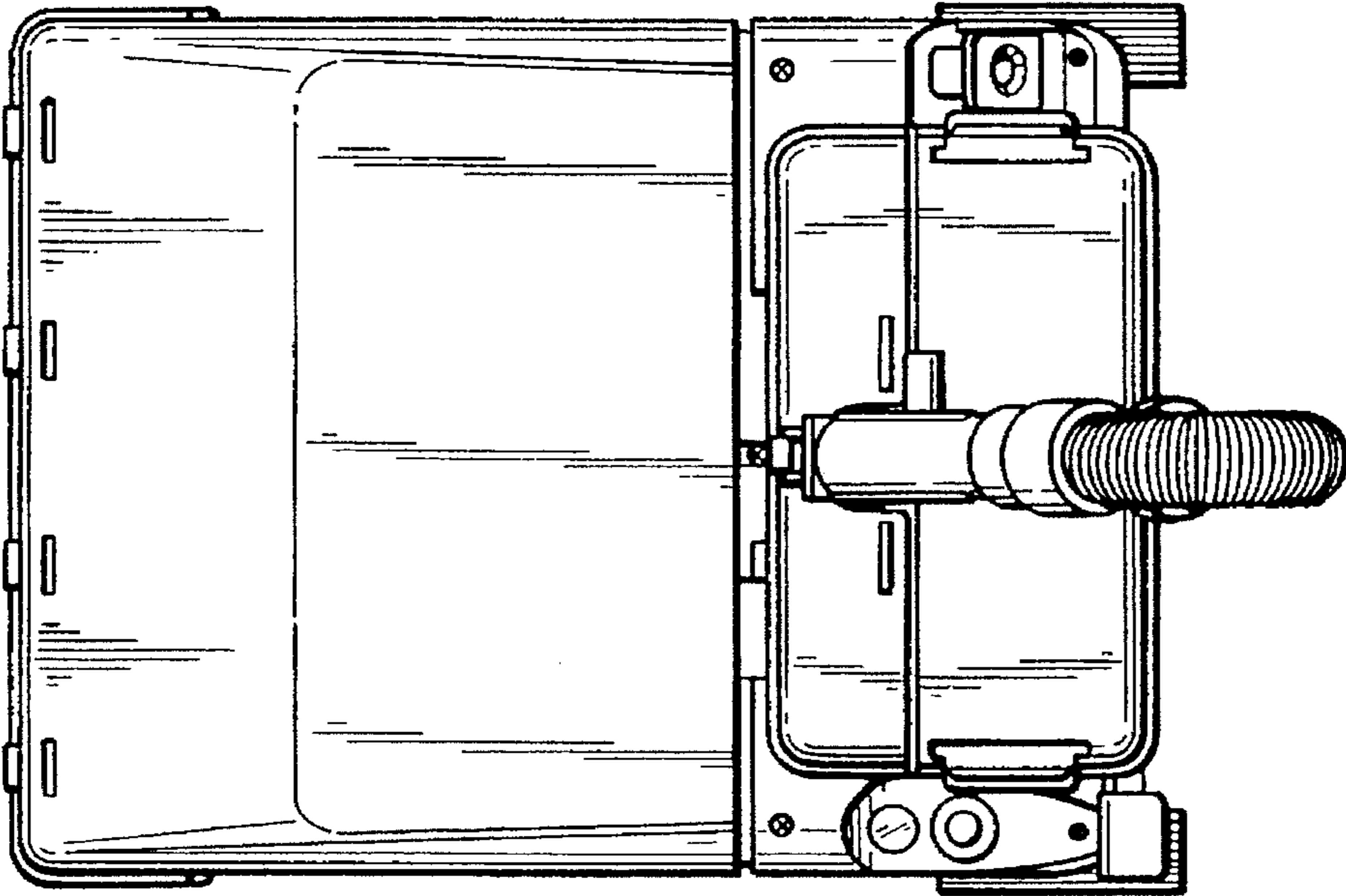
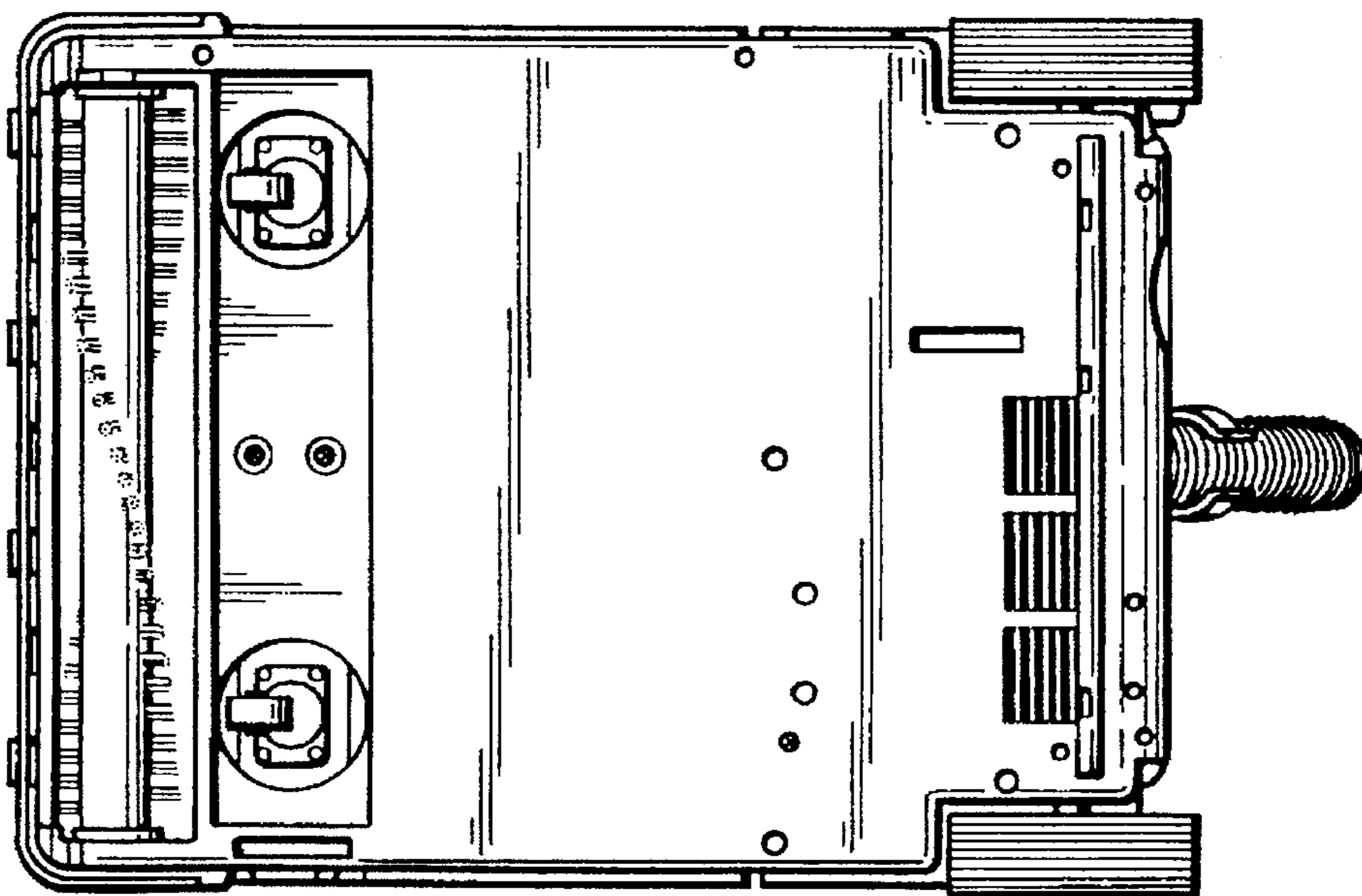


Fig. 7



UNITED STATES PATENT AND TRADEMARK OFFICE  
**CERTIFICATE OF CORRECTION**

PATENT NO. : Des. 381,479  
DATED : July 22, 1997  
INVENTOR(S) : Wörwag

It is certified that error appears in the above-identified patent and that said Letters Patent is hereby corrected as shown below:

On the title page:

[30] Foreign Application Priority Data

Mar. 23, 1994 [DE] Germany ..... M9402490.1

Signed and Sealed this

Third Day of February, 1998



BRUCE LEHMAN

Commissioner of Patents and Trademarks

Attest:

Attesting Officer