



US00D381478S

United States Patent [19]

[11] Patent Number: **Des. 381,478**

Amos

[45] Date of Patent: ****Jul. 22, 1997**

[54] REMOTE CONTROLLED VACUUM CLEANER SYSTEM

Primary Examiner—Ruth McInroy
Attorney, Agent, or Firm—Richard C. Litman

[76] Inventor: **Tawrence Amos**, 602 Carver Dr., Starkville, Miss. 39759

[57] CLAIM

[**] Term: **14 Years**

The ornamented design for a remote controlled vacuum cleaner system, as shown and described.

[21] Appl. No.: **47,404**

DESCRIPTION

[22] Filed: **Dec. 4, 1995**

[51] LOC (6) Cl. **15-05**

[52] U.S. Cl. **D32/21**

[58] Field of Search 15/319, 340.1, 15/344, 320, 321, 1.7; 119/29; 180/98; 340/825.72; D32/1, 21, 23-24, 31-33, 15-16

FIG. 1 is a perspective view of a remote controlled vacuum cleaner system showing my new design; FIG. 2 is a front elevational view thereof; FIG. 3 is a rear elevational view thereof; FIG. 4 is a left side elevational view with the right side of the vacuum cleaner being a mirror image thereof; FIG. 5 is a right side elevational view of the remote control unit; and, FIG. 6 is a top plan view of the remote controlled vacuum cleaner system.

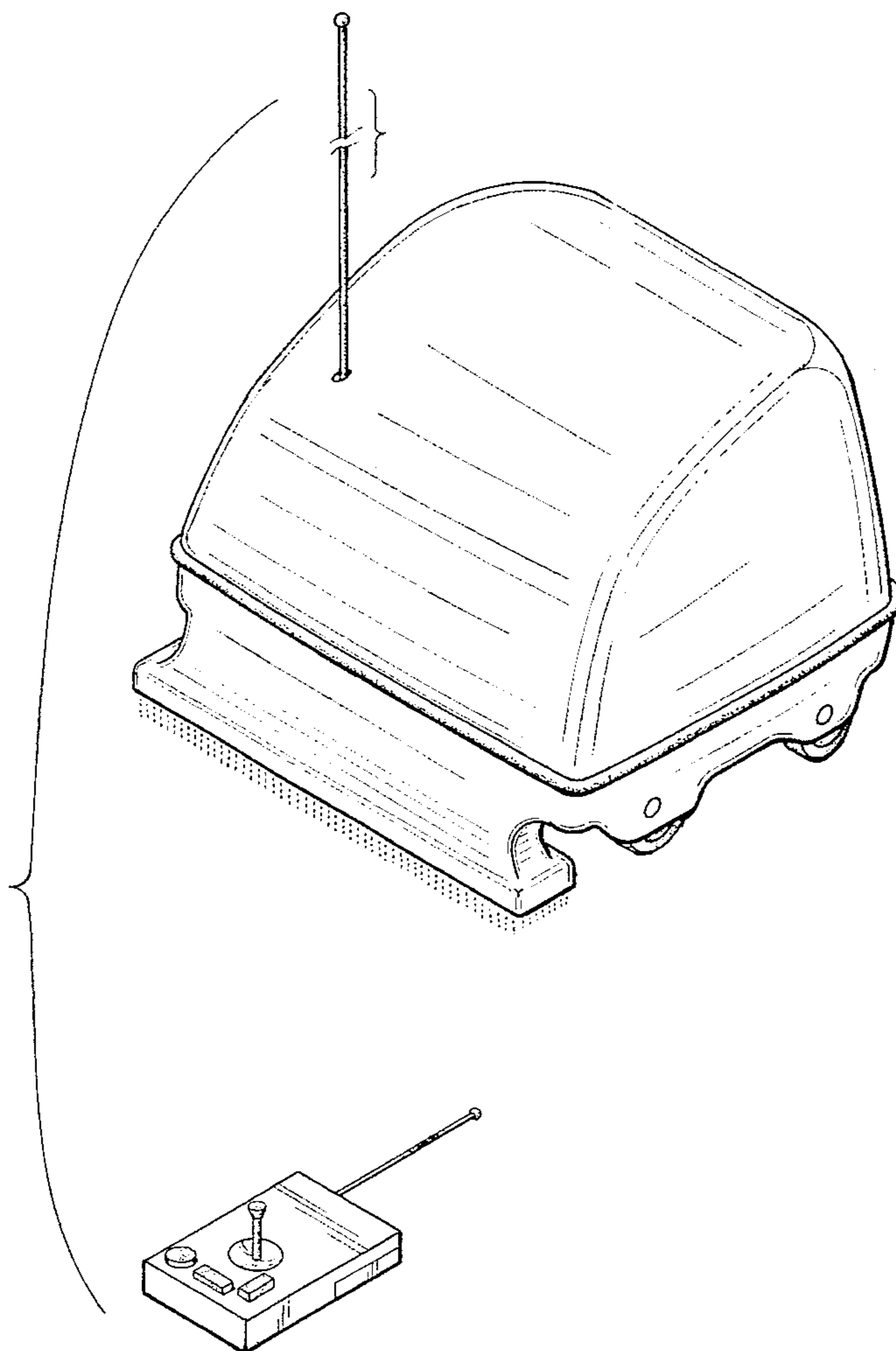
[56] References Cited

U.S. PATENT DOCUMENTS

| | | | |
|------------|---------|-----------------------|--------|
| D. 315,624 | 3/1991 | Kimuia et al. | D32/23 |
| D. 361,178 | 8/1995 | Piret | D32/21 |
| 4,173,809 | 11/1979 | Ku | 15/319 |
| 4,306,329 | 12/1981 | Yokoi | 15/319 |
| 4,369,543 | 1/1983 | Chen et al. | 15/319 |
| 5,109,566 | 5/1992 | Kobayashi et al. | 15/319 |
| 5,454,129 | 10/1995 | Kell | 15/1.7 |

The broken line showing of the brush in FIGS. 1-4 is for illustrative purposes only, merely disclosing a type of brush which can be used, and forms no part of the claimed design. The unseen bottom view is plain and unornamented. The antenna shown broken away in all views is understood to represent indeterminate length.

1 Claim, 3 Drawing Sheets



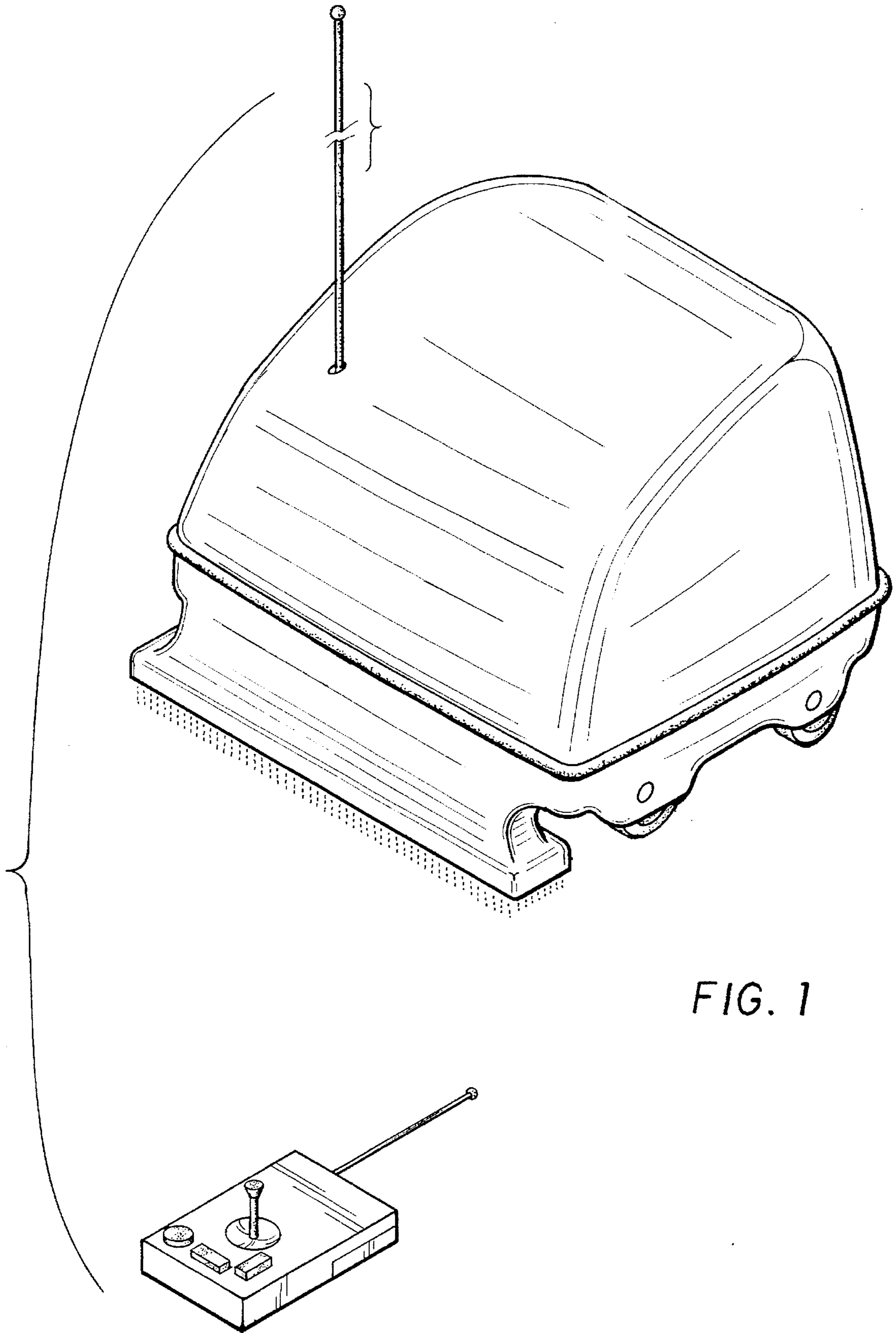
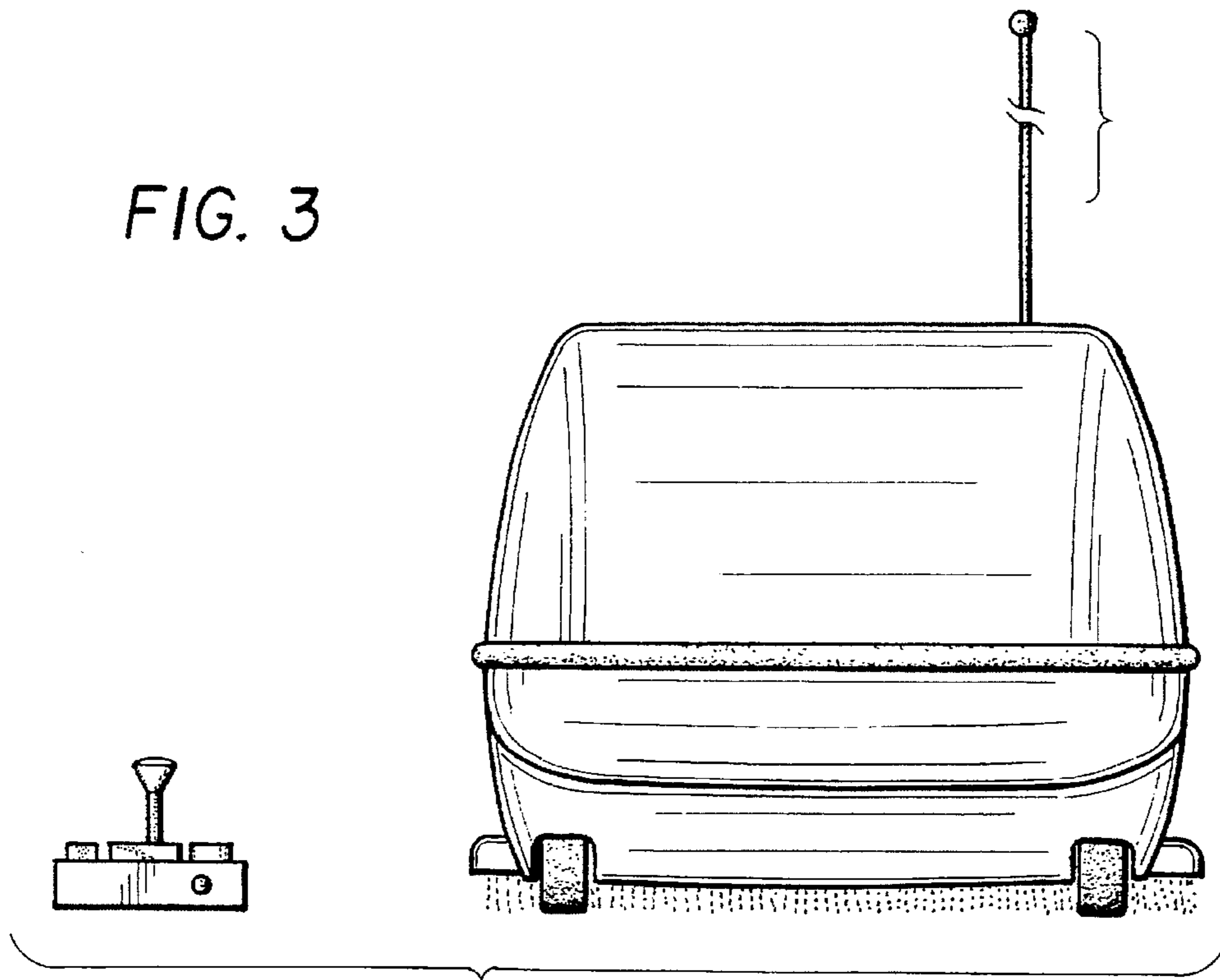
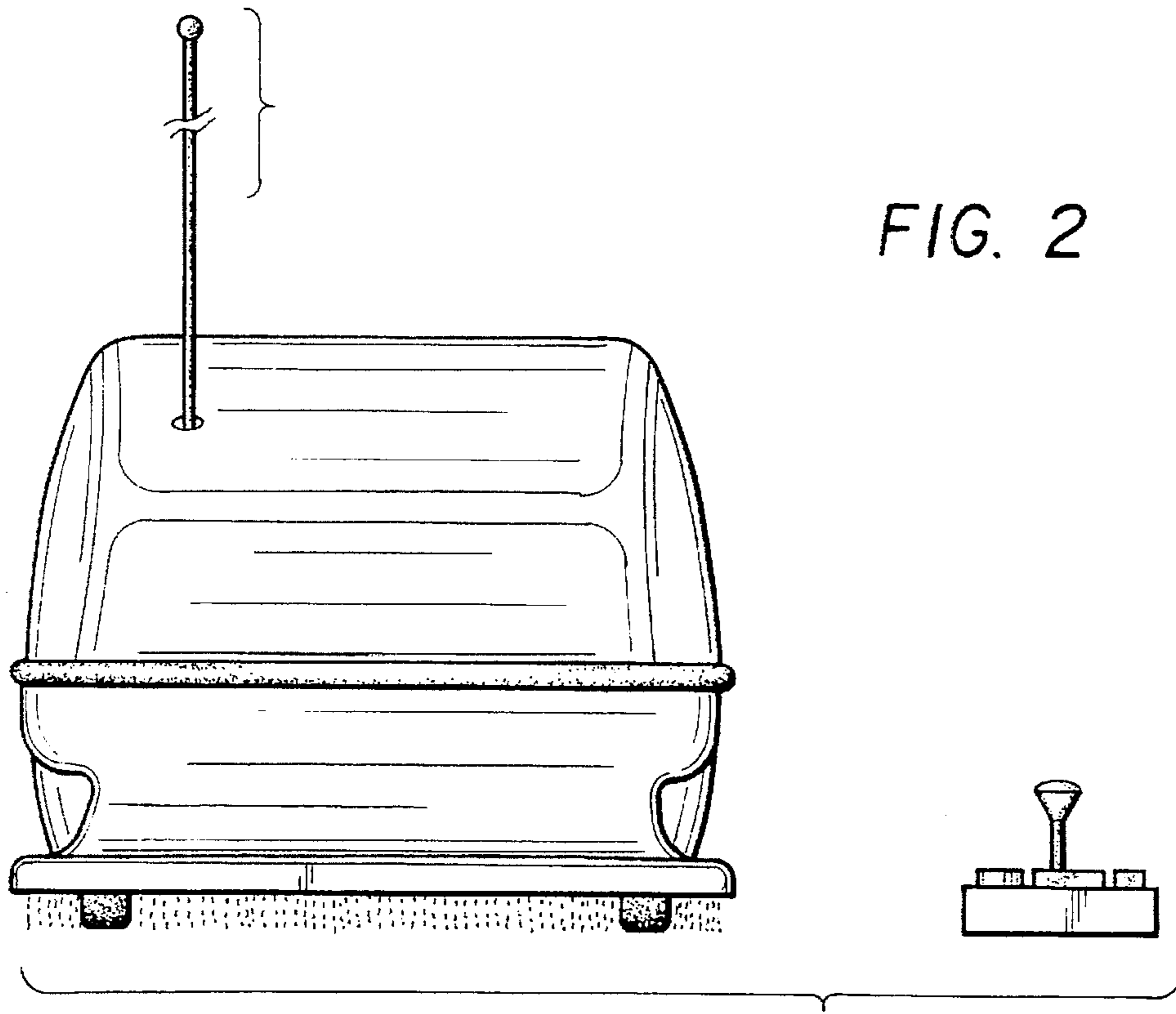


FIG. 1



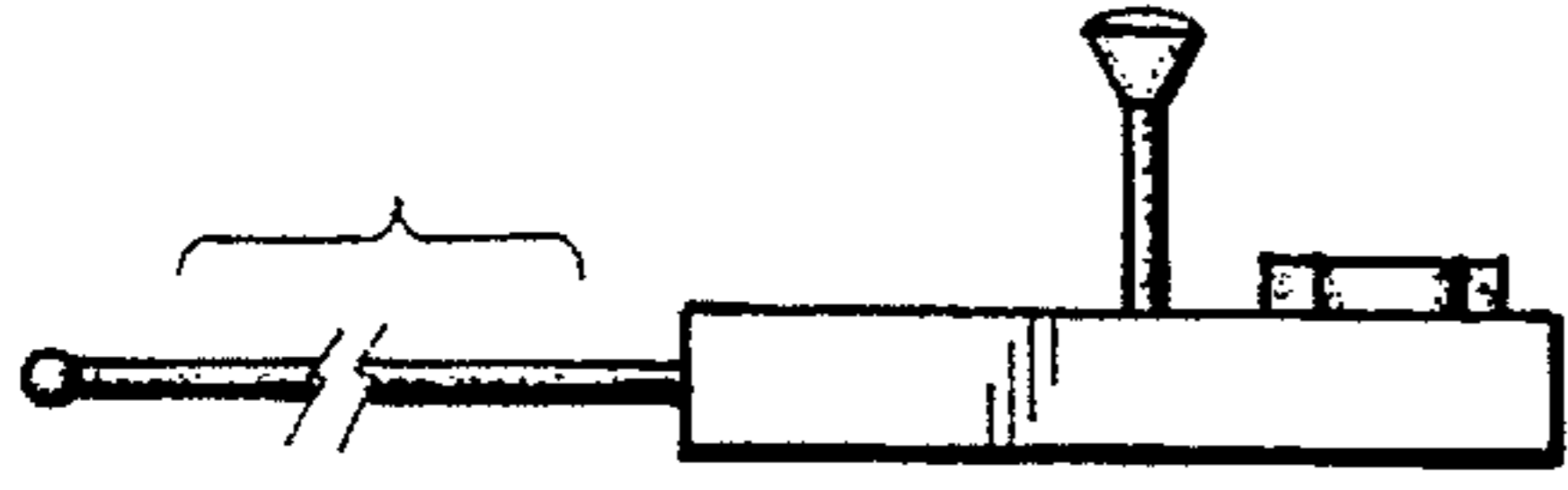


FIG. 5

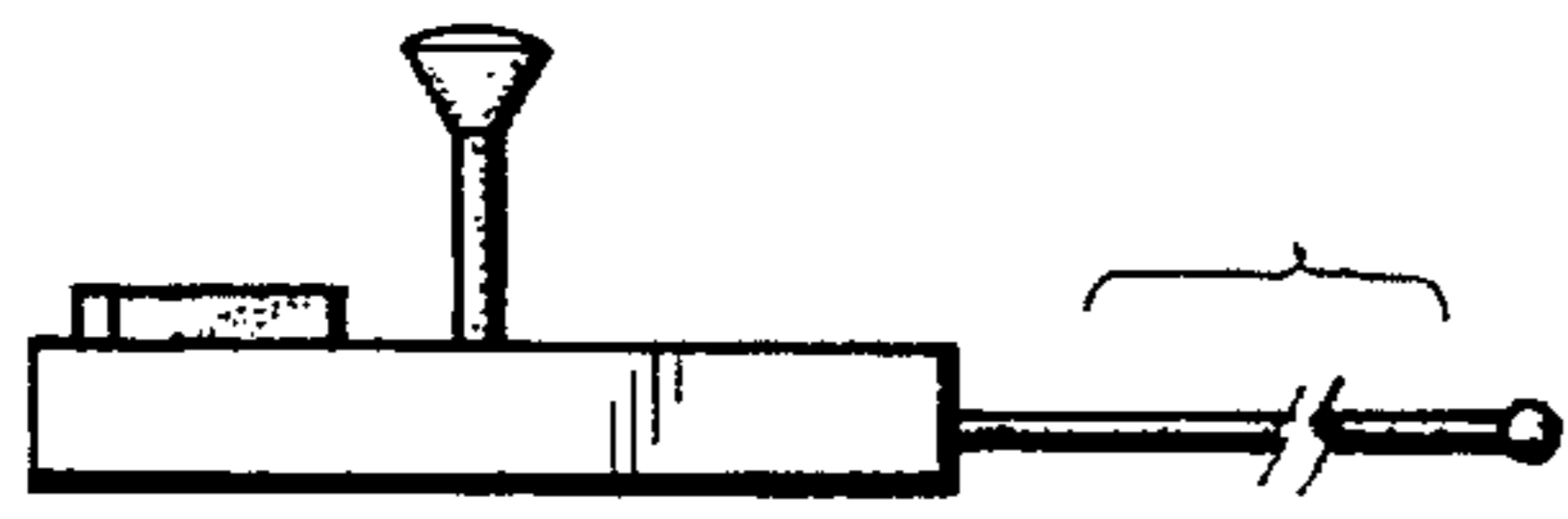


FIG. 4

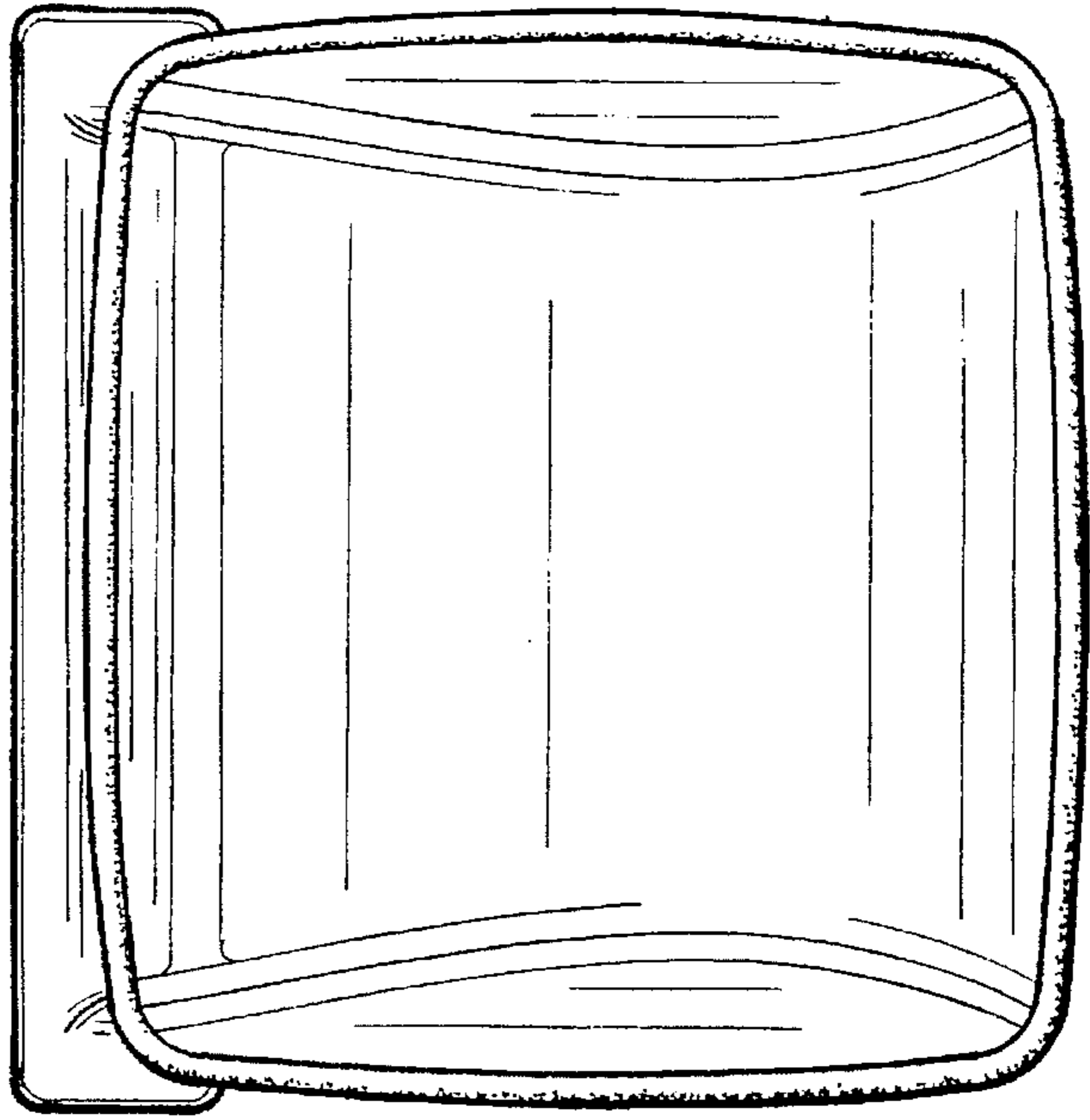
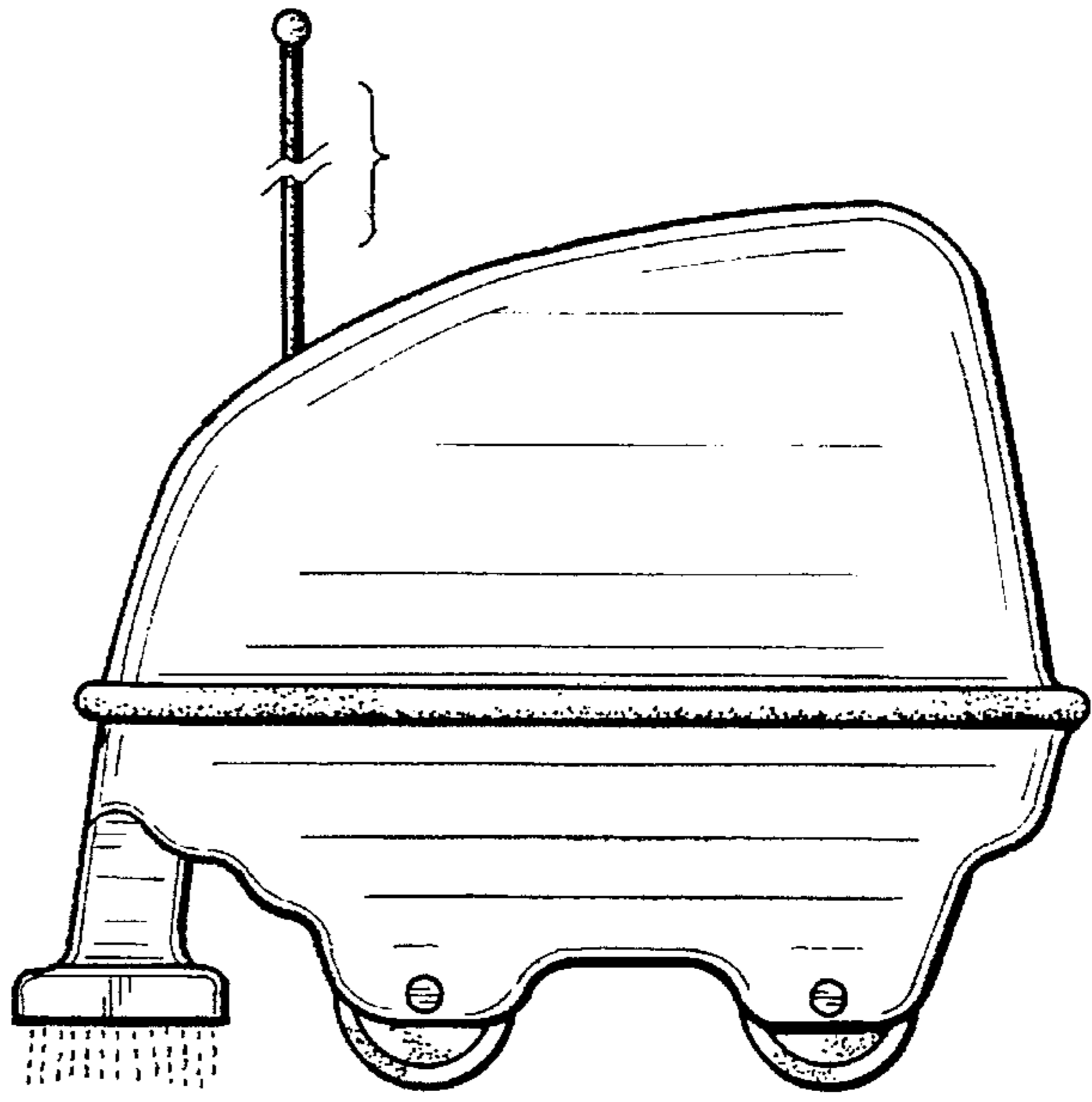


FIG. 6

