



US00D381474S

United States Patent [19]
Dalton

[11] **Patent Number: Des. 381,474**
[45] **Date of Patent: **Jul. 22, 1997**

[54] **HORSE HOOF PICK**

[76] Inventor: **John L. Dalton**, P.O. Box 1604,
Cottonwood, Ariz. 86326

[**] Term: **14 Years**

[21] Appl. No.: **54,213**

[22] Filed: **May 10, 1996**

[51] LOC (6) Cl. **30-99**

[52] U.S. Cl. **D30/158; D30/199**

[58] Field of Search D30/158, 199;
D28/64; 168/45, 48.1; 132/321, 329, 73

[56] **References Cited**

U.S. PATENT DOCUMENTS

D. 27,650	9/1897	Kallenbach	D28/64
176,768	5/1876	Blakeslee	168/48.1
D. 188,233	6/1960	Wiseman	D28/64
1,451,380	4/1923	Thum	132/329

FOREIGN PATENT DOCUMENTS

WO8602823	5/1986	WIPO	132/329
-----------	--------	------	-------	---------

OTHER PUBLICATIONS

"Miller's World of Riding" Catalog. No. 122 p. 106 item #F
Apr. 1991.

Primary Examiner—Louis S. Zarfes
Assistant Examiner—Gregory Andoll
Attorney, Agent, or Firm—Cahill, Sutton & Thomas P.L.C.

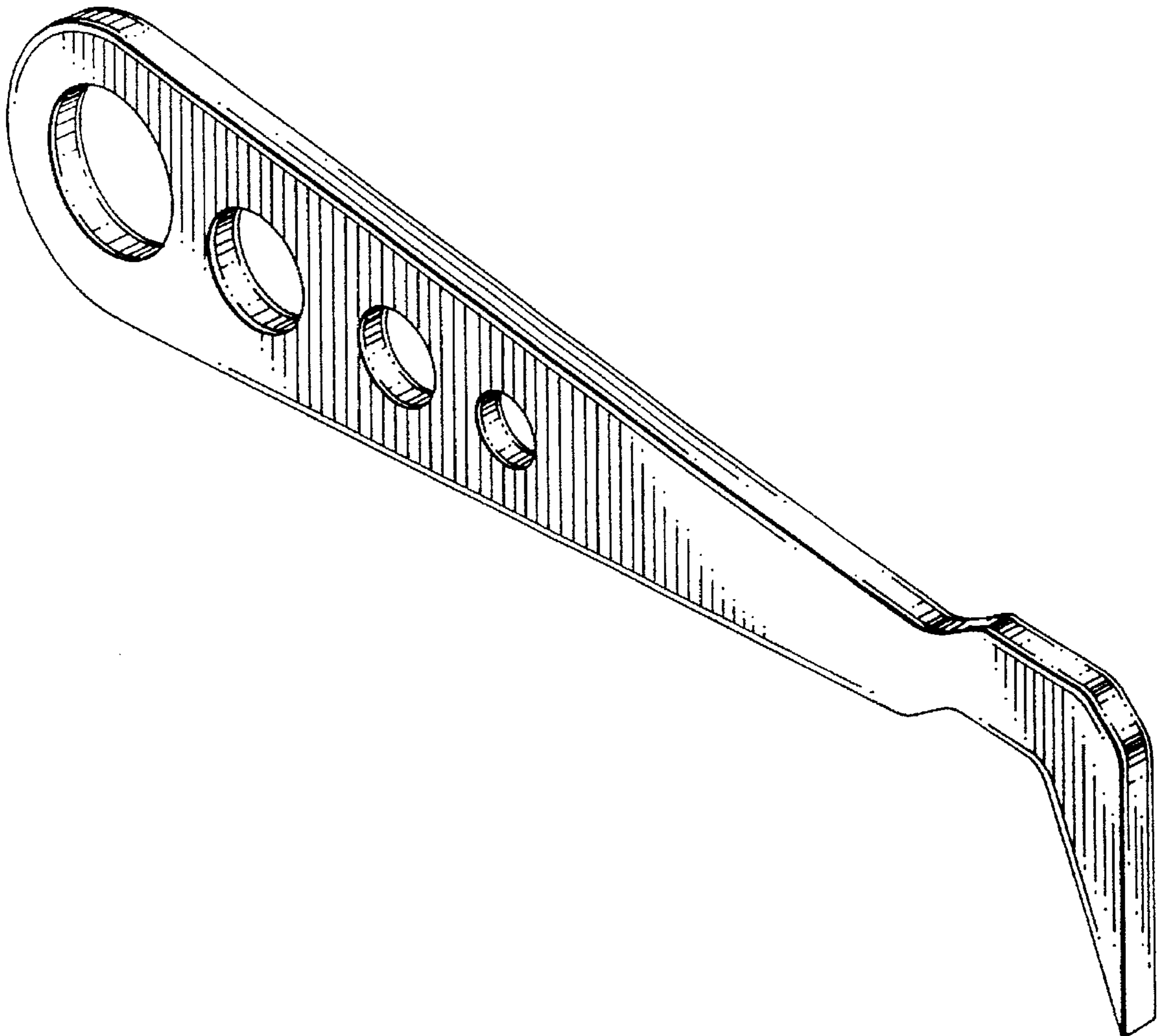
[57] **CLAIM**

The ornamental design for a horse hoof pick, as shown and described.

DESCRIPTION

FIG. 1 is a right front perspective view of a horse hoof pick showing my design;
FIG. 2 is a rear elevational view thereof, the front elevational view being a mirror image thereof;
FIG. 3 is a top plan view thereof;
FIG. 4 is a bottom plan view thereof;
FIG. 5 is a left elevational view thereof; and,
FIG. 6 is a right elevational view thereof.

1 Claim, 1 Drawing Sheet



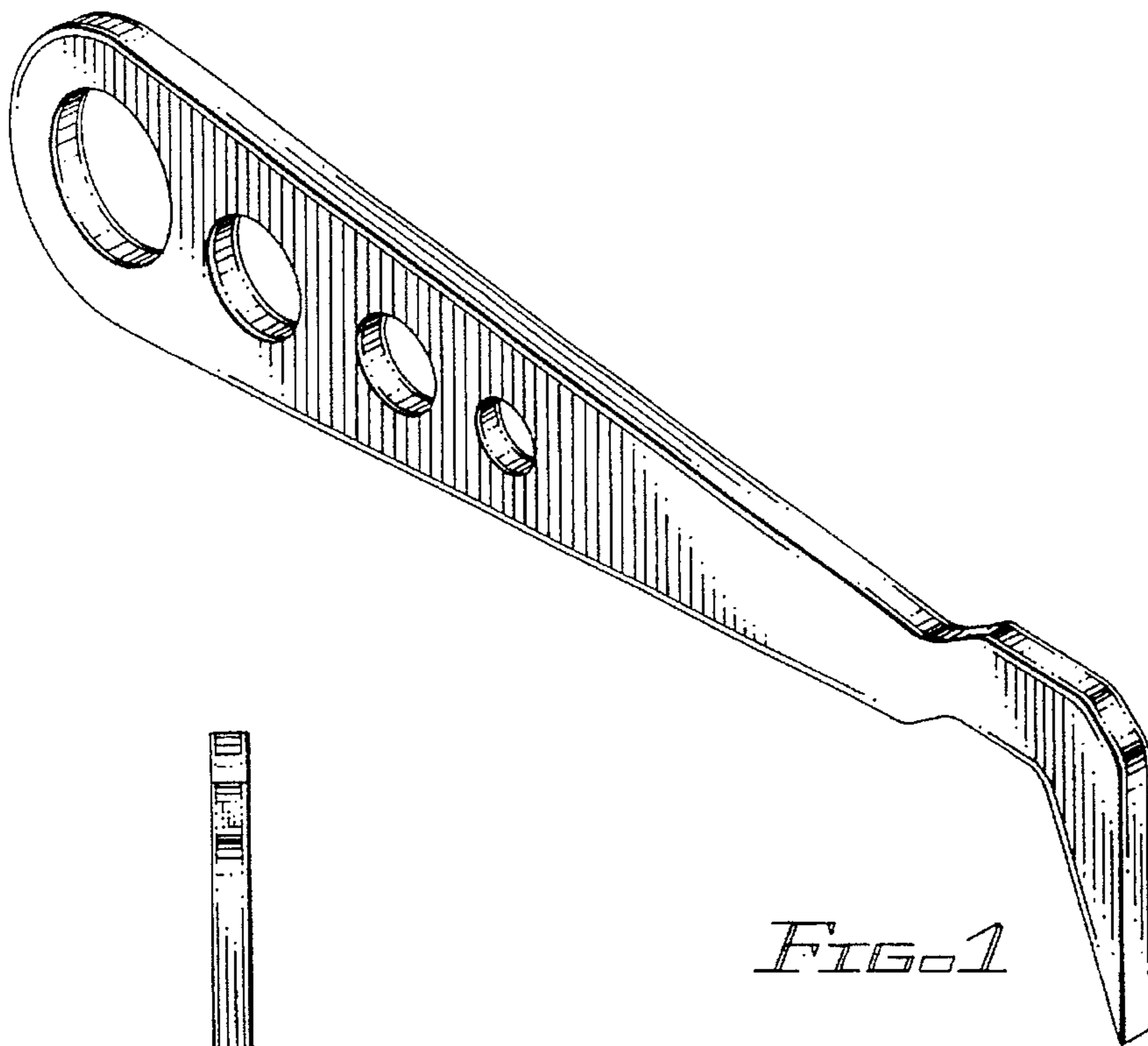


FIG. 1



FIG. 5



FIG. 6

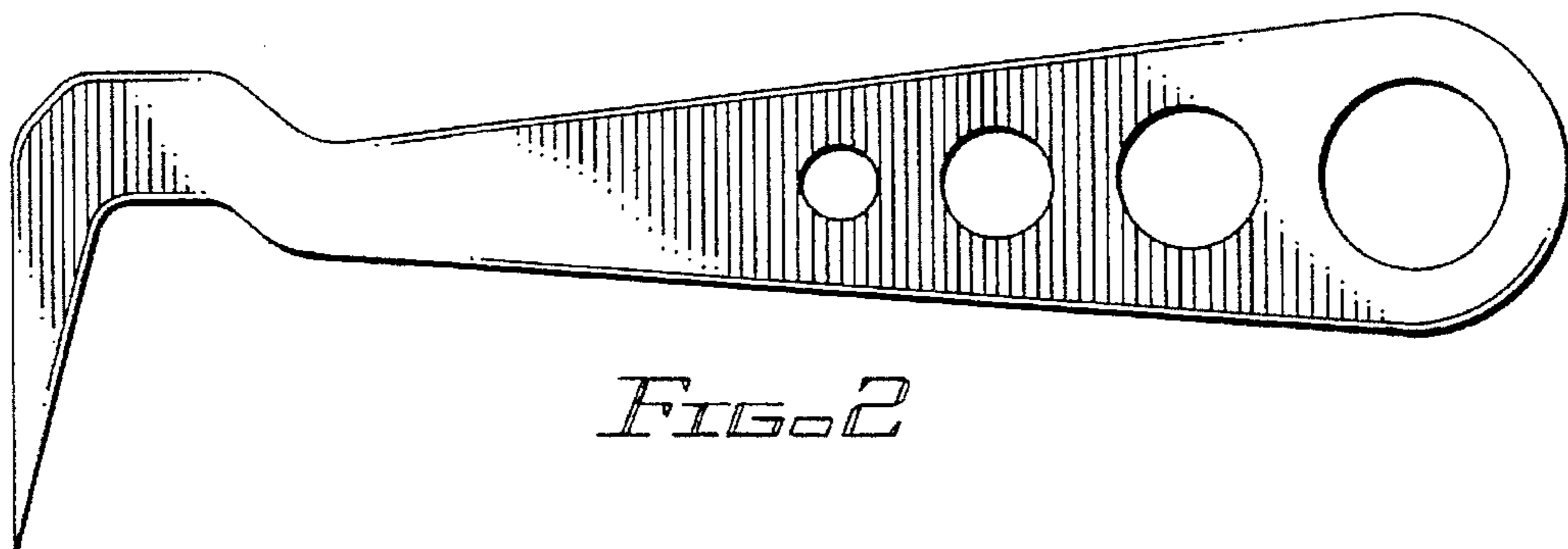


FIG. 2



FIG. 3



FIG. 4