



US00D381473S

United States Patent [19]

Dixon et al.

[11] Patent Number: **Des. 381,473**

[45] Date of Patent: ****Jul. 22, 1997**

[54] **OPEN-ENDED DOG LEAD**

5,146,876 9/1992 McPhail 119/798
5,456,213 10/1995 Beauchamp 119/795

[76] Inventors: **Rickey Dixon; Martin J. Barum**, both
of 5975 Beaver Creek Rd., New Hill,
N.C. 27562

Primary Examiner—Louis S. Zarfes
Assistant Examiner—Gregory Andoll

[**] Term: **14 Years**

[57] **CLAIM**

[21] Appl. No.: **47,915**

The ornamental design for an open-ended dog lead, as
shown and described.

[22] Filed: **Dec. 14, 1995**

DESCRIPTION

[51] **LOC (6) Cl.** **30-09**

[52] **U.S. Cl.** **D30/153; D30/144; D30/151**

[58] **Field of Search** D30/144, 151-153;
119/797, 795, 798, 770, 776

FIG. 1 is a front elevational view of the open-ended dog lead
showing our new design;
FIG. 2 is a rear elevational view thereof;
FIG. 3 is a left side elevational view thereof;
FIG. 4 is a right side elevational view thereof;
FIG. 5 is a top plan view thereof;
FIG. 6 is a bottom plan view thereof; and,
FIG. 7 is an isometric view thereof.

[56] **References Cited**

U.S. PATENT DOCUMENTS

2,861,547 11/1958 Dale 119/797
3,752,127 8/1973 Baker 119/797
4,638,764 1/1987 Anderson 119/770

1 Claim, 4 Drawing Sheets

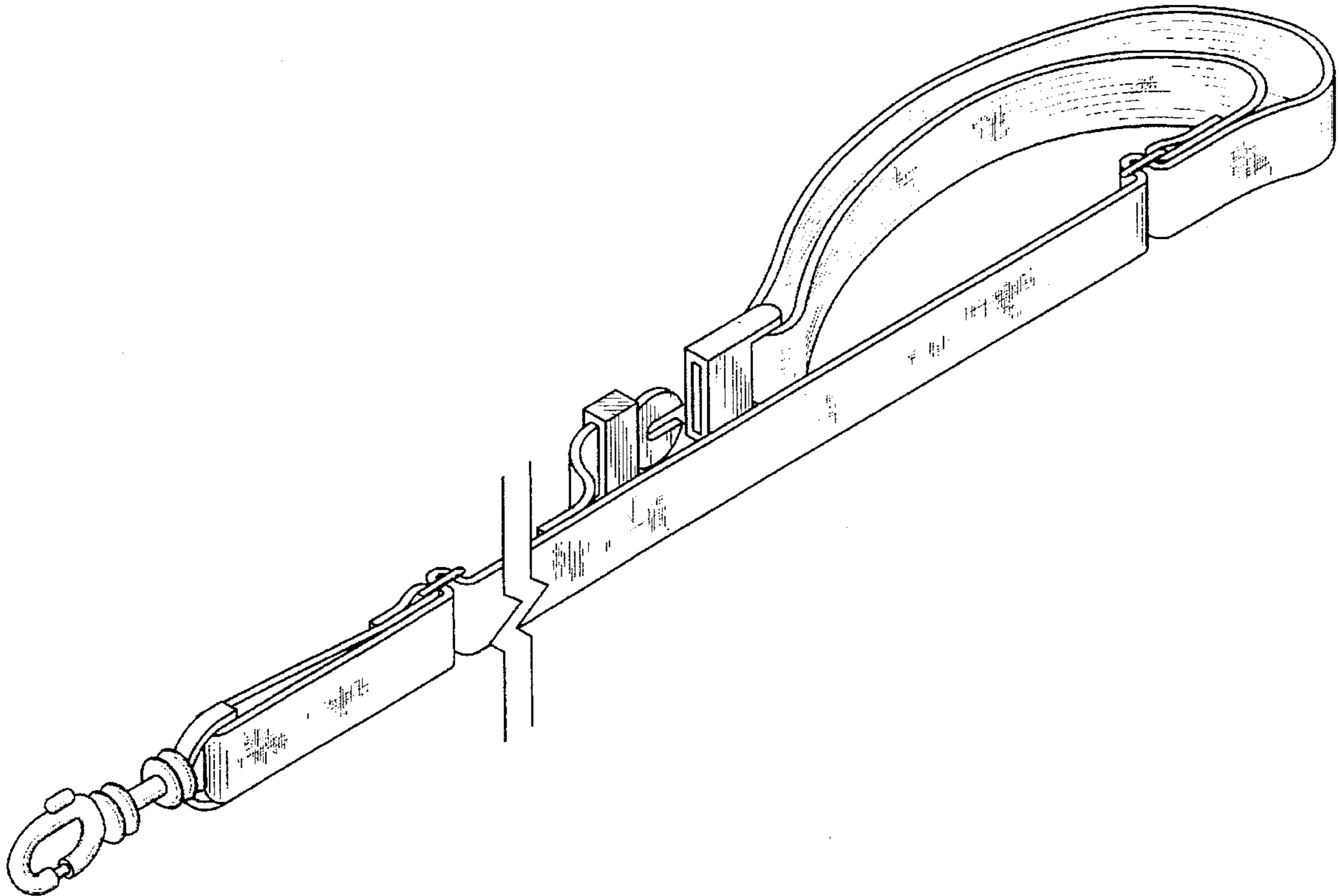


FIG. 1

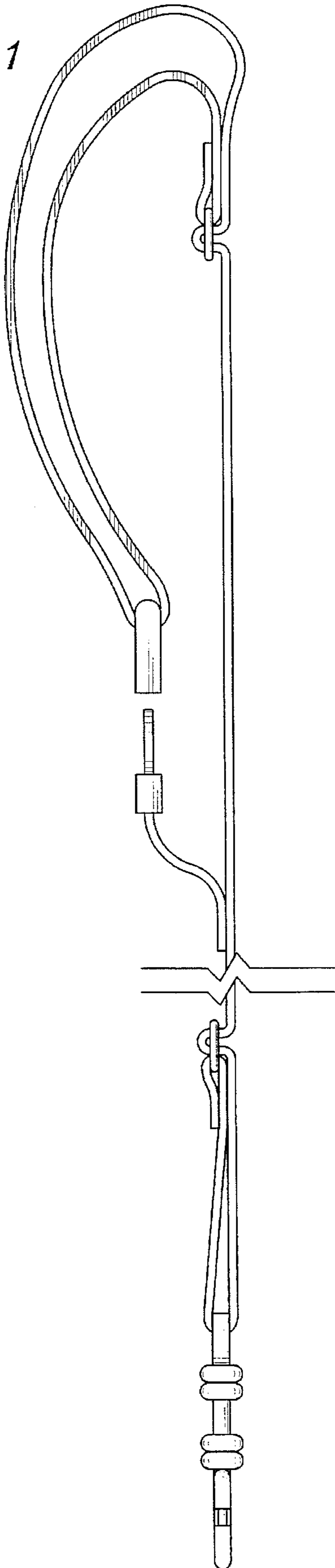


FIG. 2

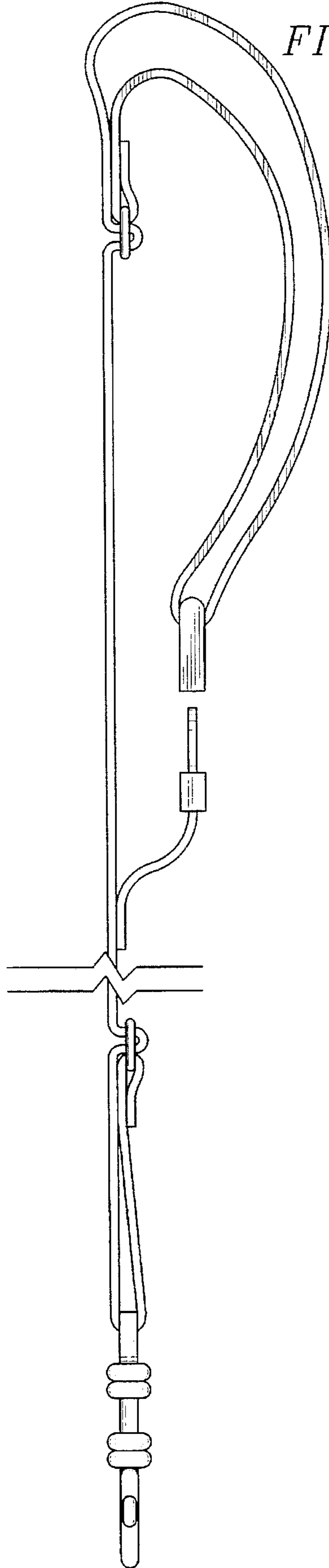


FIG. 3

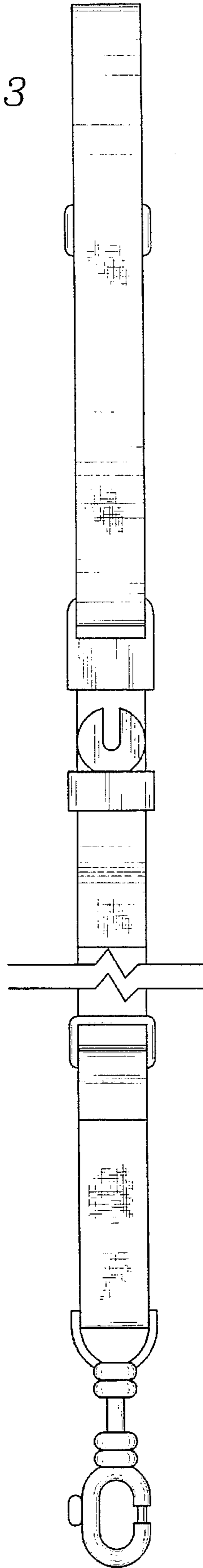


FIG. 4

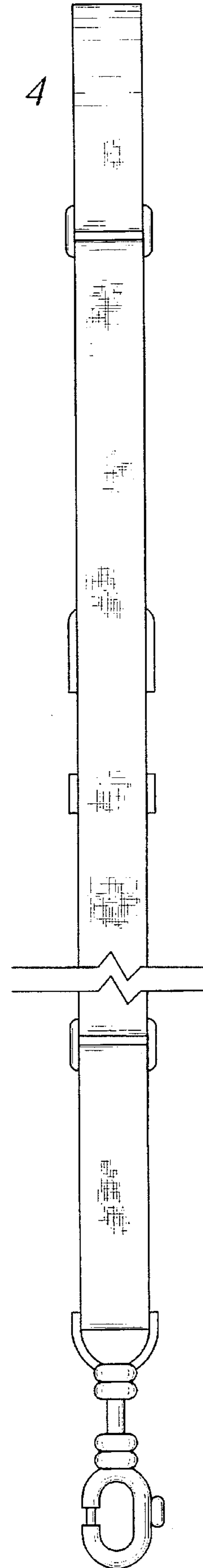


FIG. 5

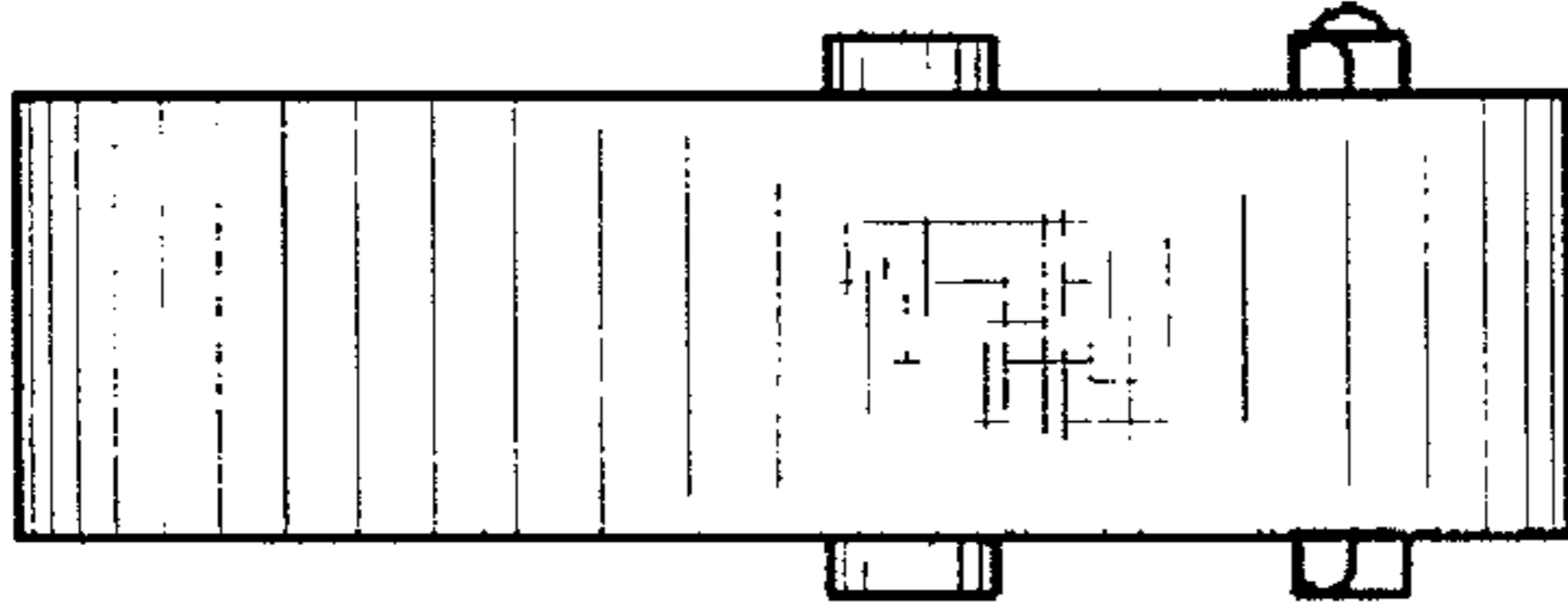


FIG. 6

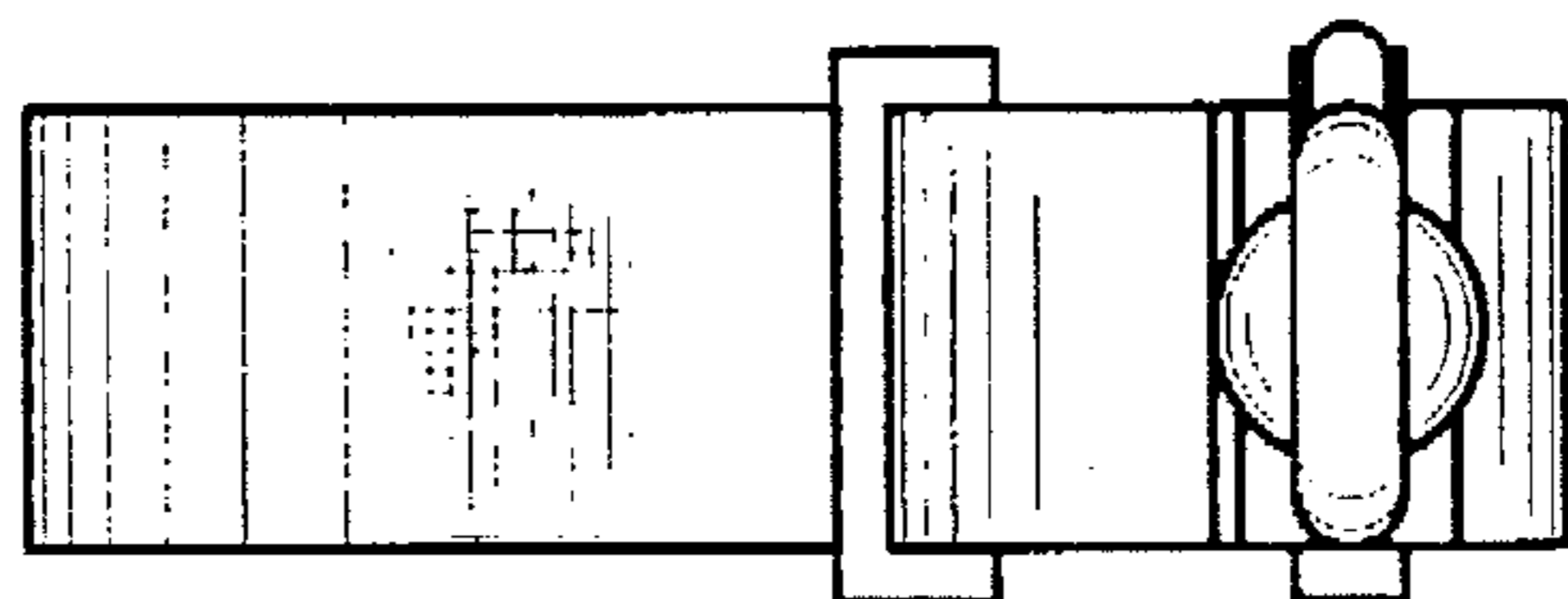


FIG. 7

