



US00D381468S

United States Patent [19]

Dolan et al.

[11] Patent Number: Des. 381,468

[45] Date of Patent: **Jul. 22, 1997

[54] DENTAL FLOSS VIAL DISPENSER

[75] Inventors: John W. Dolan, Boothwyn, Pa.; John W. Spencer, Jr., Rising Sun, Md.; David D. McClanahan, Harleysville, Pa.

[73] Assignee: W. L. Gore & Associates, Inc., Newark, Del.

[**] Term: 14 Years

[21] Appl. No.: 45,870

[22] Filed: Nov. 1, 1995

[51] LOC (6) Cl. 28-03

[52] U.S. Cl. D28/64

[58] Field of Search D28/64; 132/321, 132/322, 323, 324, 325, 326, 327; 206/388, 63.5, 63.3, 83; D9/307, 329, 331; 225/41; D24/152

[56] References Cited

U.S. PATENT DOCUMENTS

D. 266,279	9/1982	Strother	D28/64
D. 271,431	11/1983	Seelig	D28/64
D. 293,491	12/1987	Fronske	D28/64
D. 305,696	1/1990	Woodman	D28/64
D. 339,215	9/1993	Spencer, Jr.	D28/64
D. 339,426	9/1993	Spencer, Jr.	D28/64
817,050	4/1906	De La Cour	.	
2,340,184	1/1944	Gray	.	
2,929,541	3/1960	Castelli et al.	.	
3,246,815	4/1966	Aronson	.	
3,480,190	11/1969	Freedman	.	
4,111,089	9/1978	Montaruli	.	
4,162,688	7/1979	Tarrson et al.	.	
4,706,843	11/1987	Thornton	206/388
4,934,389	6/1990	Pettiford	132/325

5,076,302	12/1991	Chari	132/325
5,156,311	10/1992	Spencer, Jr. et al.	225/41
5,566,872	10/1996	Dolan et al.	132/325

FOREIGN PATENT DOCUMENTS

WO91/13594 9/1991 WIPO .

OTHER PUBLICATIONS

Literature: Glide(R) Floss, Specification: Vial Product, W. L. Gore & Associates, Inc., 1993.

Primary Examiner—Kay H. Chin

Attorney, Agent, or Firm—Victor M. Genco, Jr.

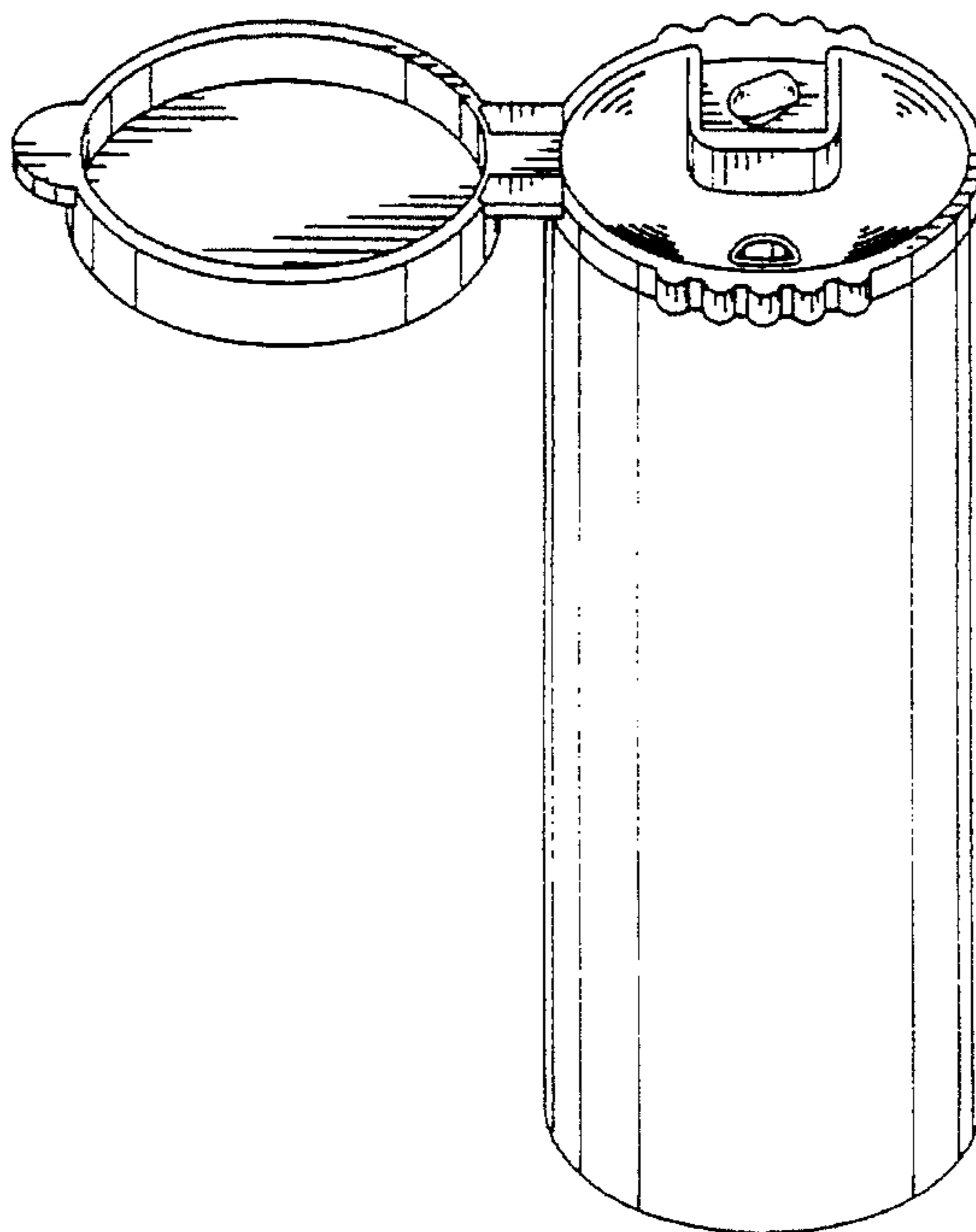
[57] CLAIM

The ornamental design for a dental floss vial dispenser, as shown and described.

DESCRIPTION

FIG. 1 is a perspective view of a cap portion of the dental floss vial dispenser of the present invention; FIG. 2 is a perspective view of the cap portion of FIG. 1 in an open configuration; FIG. 3 is a top plan view of the cap portion of FIG. 2; FIG. 4 is a bottom plan view of the cap portion of FIG. 2; FIG. 5 is a right elevational view of the cap portion of FIG. 2; FIG. 6 is a left elevational view of the cap portion of FIG. 2; FIG. 7 is a rear elevational view of the cap portion of FIG. 2; FIG. 8 is a front elevational view of the cap portion of FIG. 2; FIG. 9 is a perspective view of the dental floss vial dispenser of the present invention; and FIG. 10 is a perspective view of the dental floss vial dispenser of FIG. 9, in an open configuration.

1 Claim, 3 Drawing Sheets



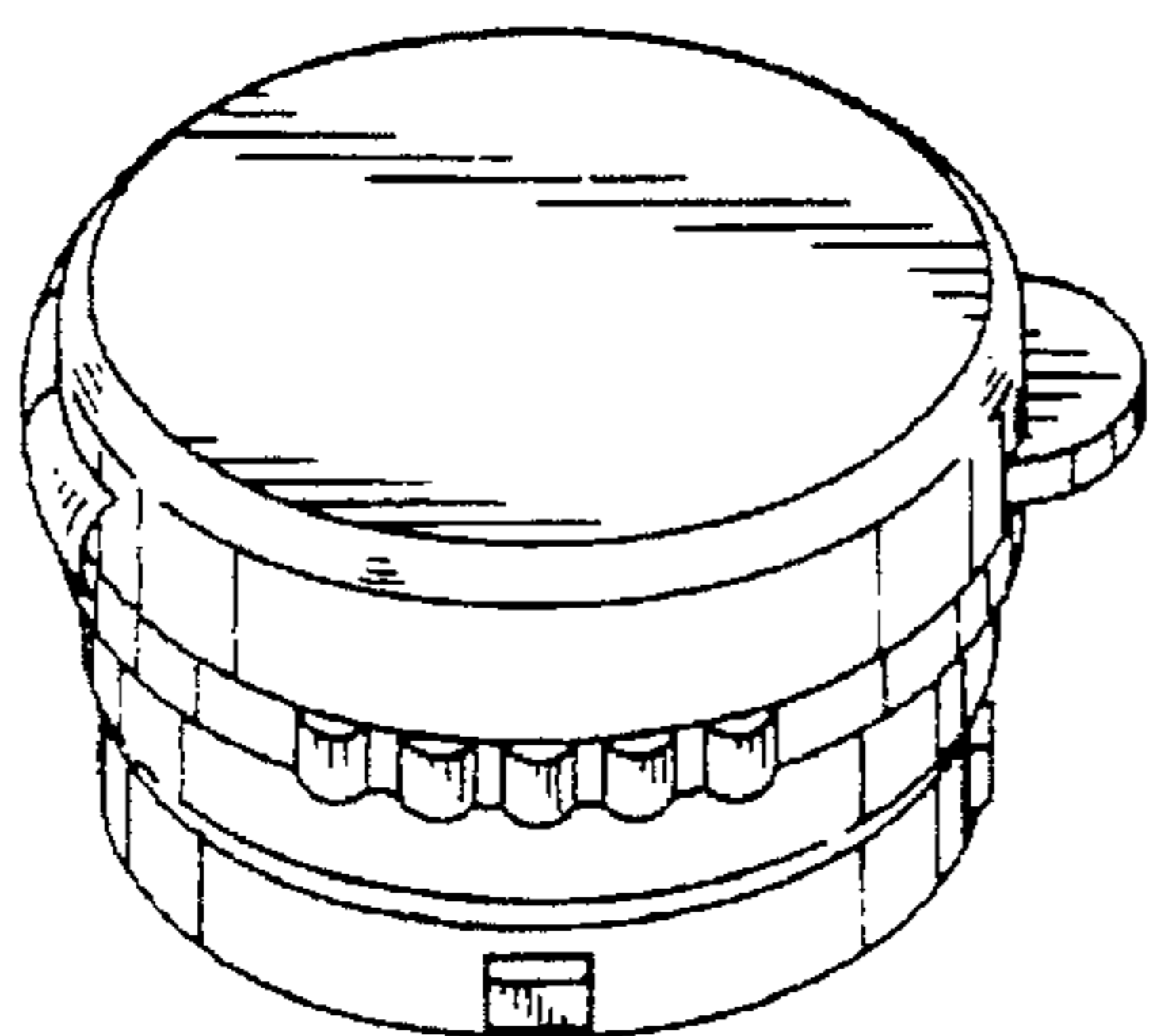


FIG. 1

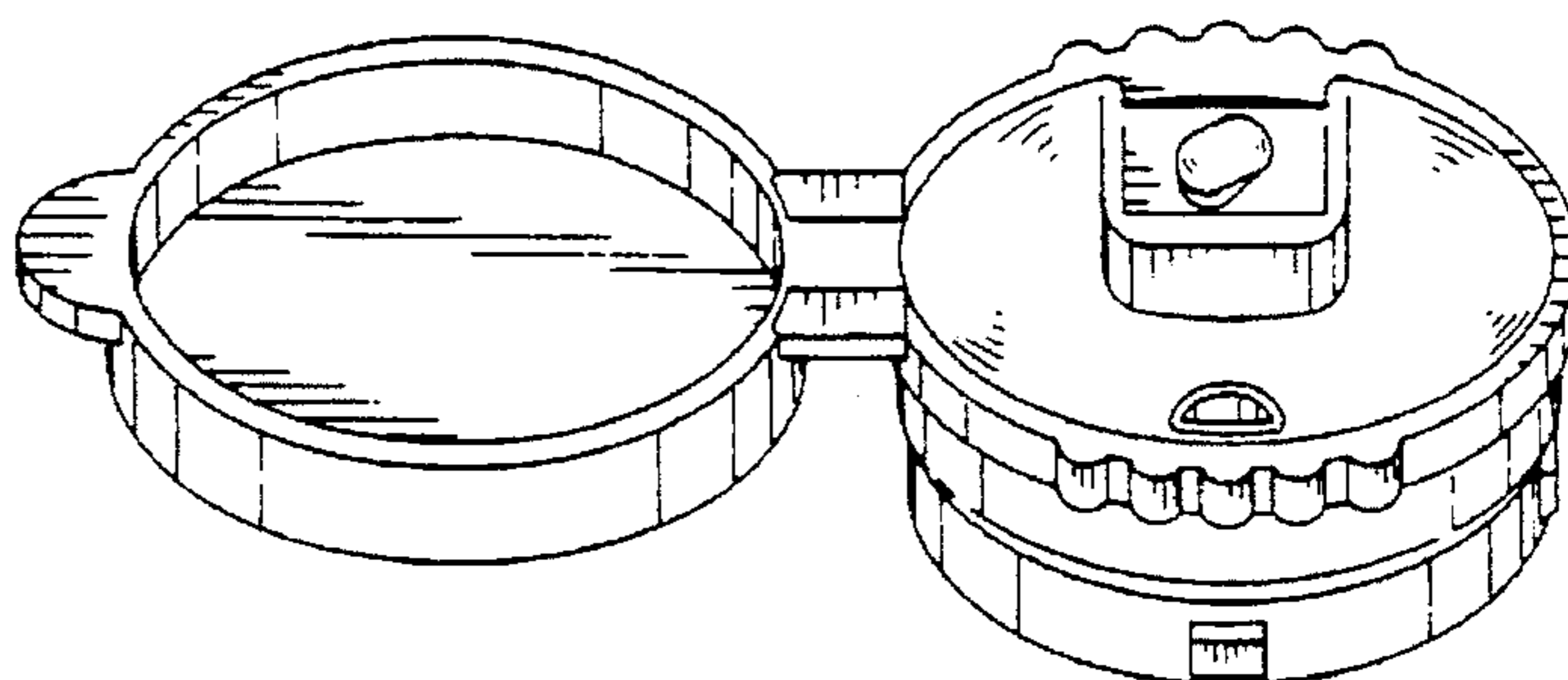


FIG. 2

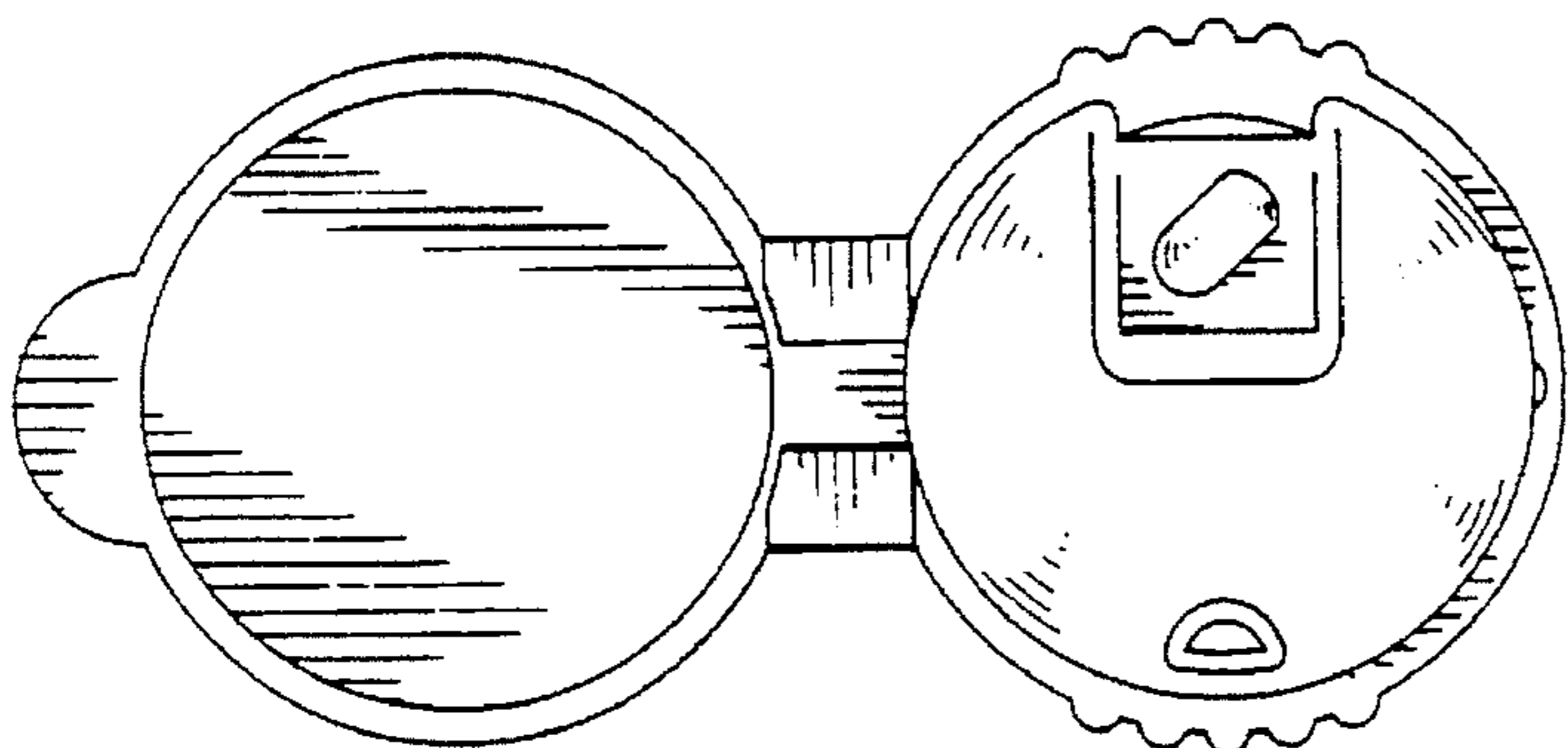


FIG. 3

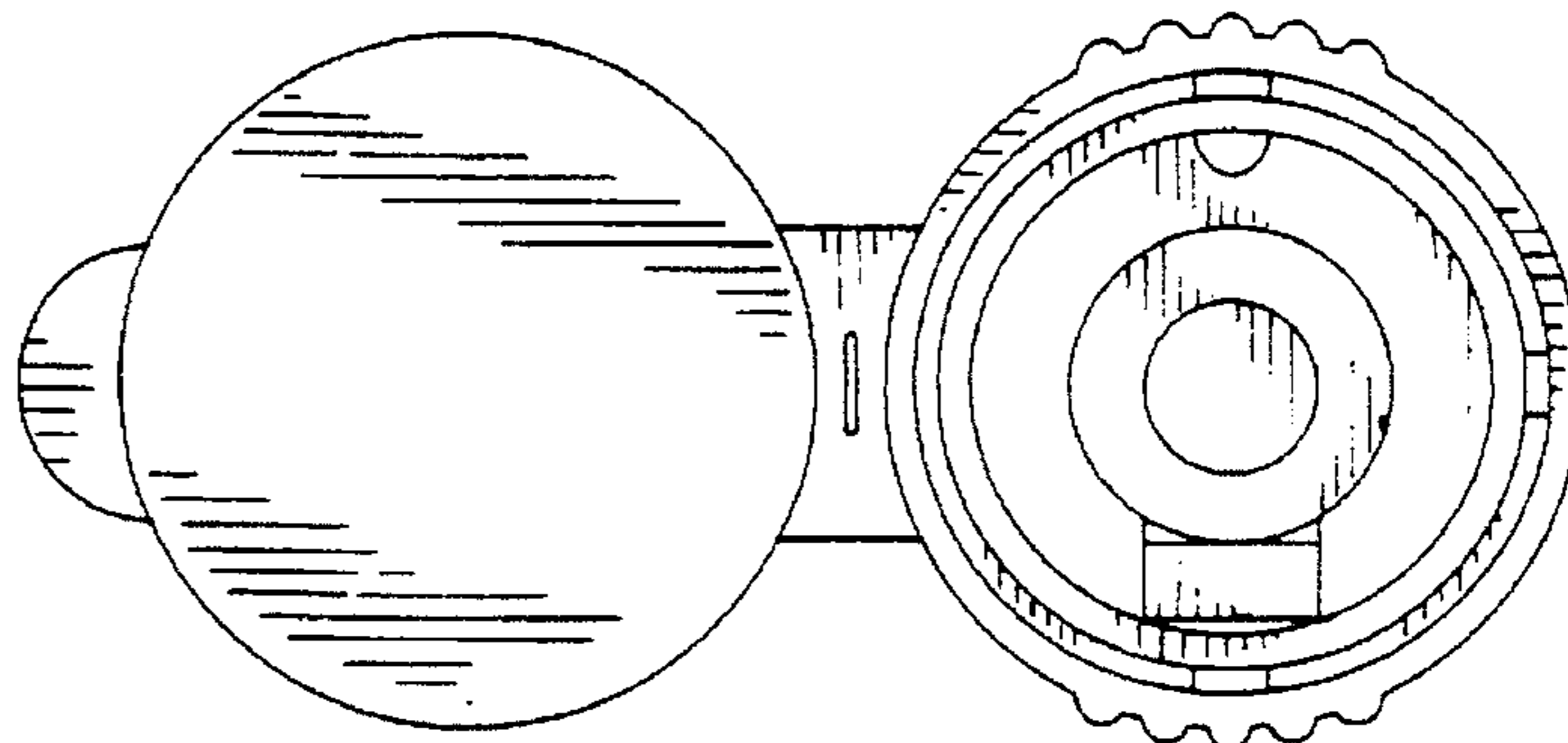


FIG. 4

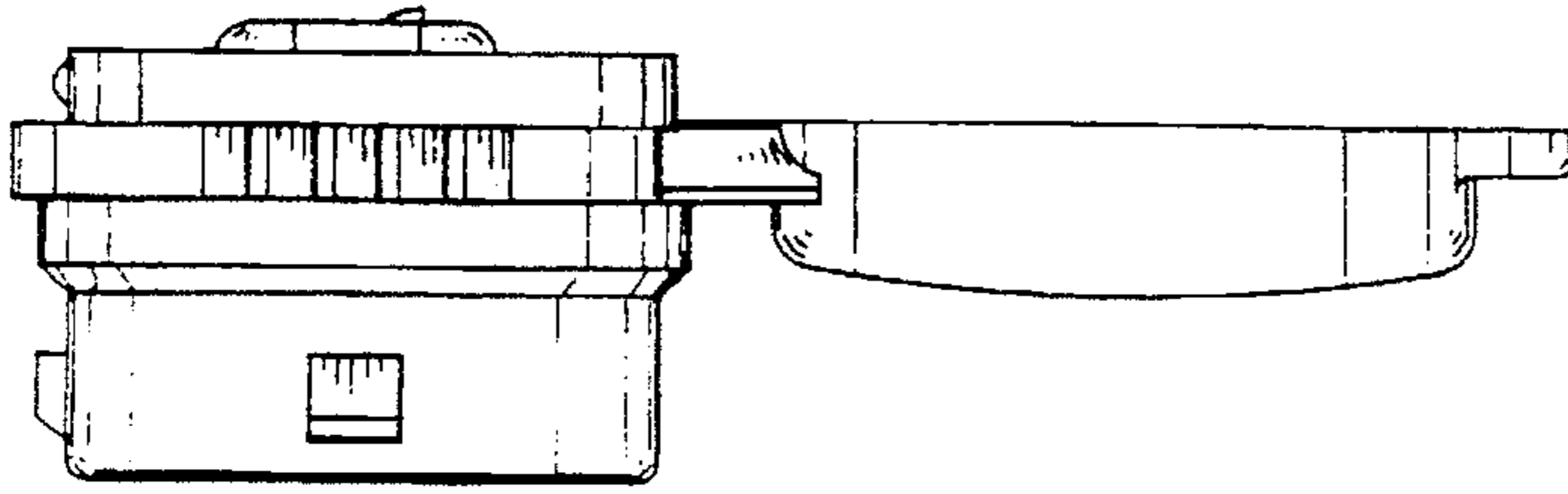


FIG. 5

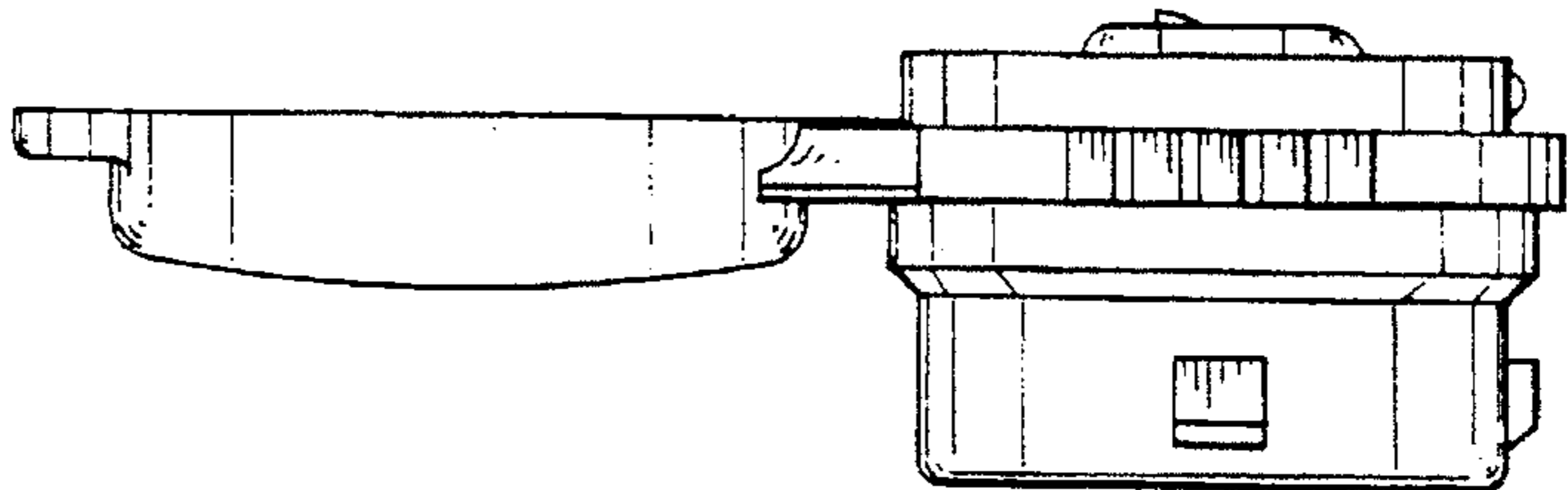


FIG. 6

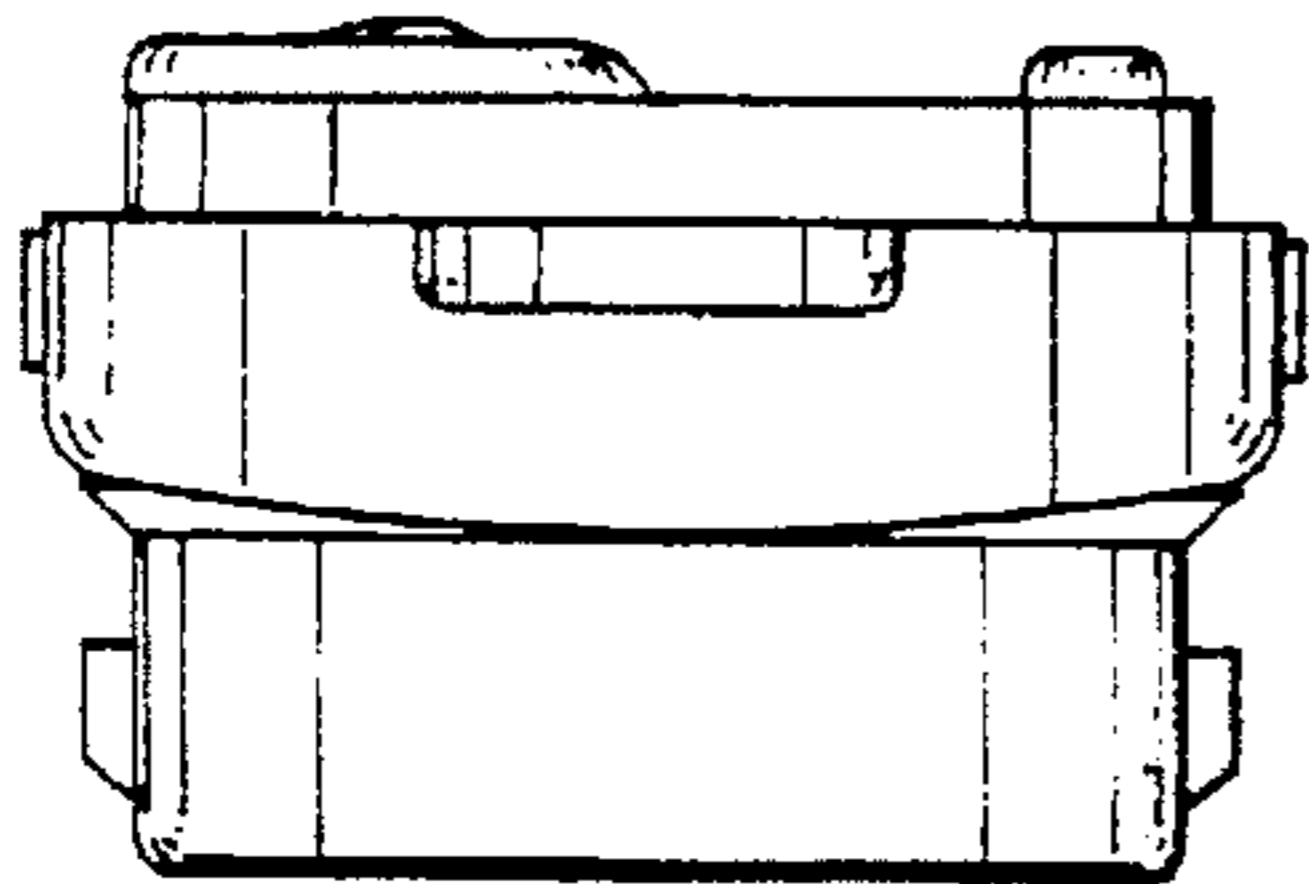


FIG. 7

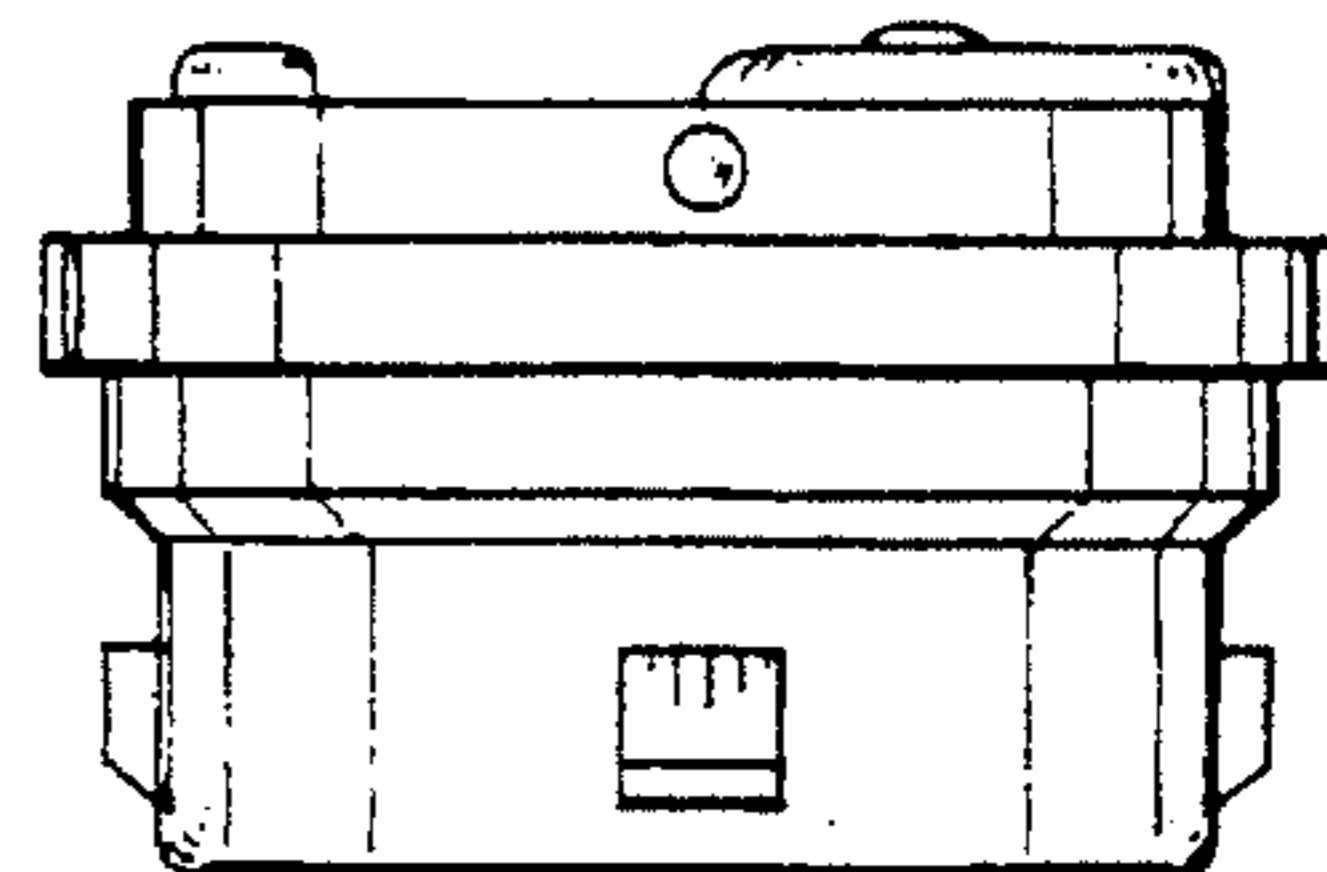


FIG. 8

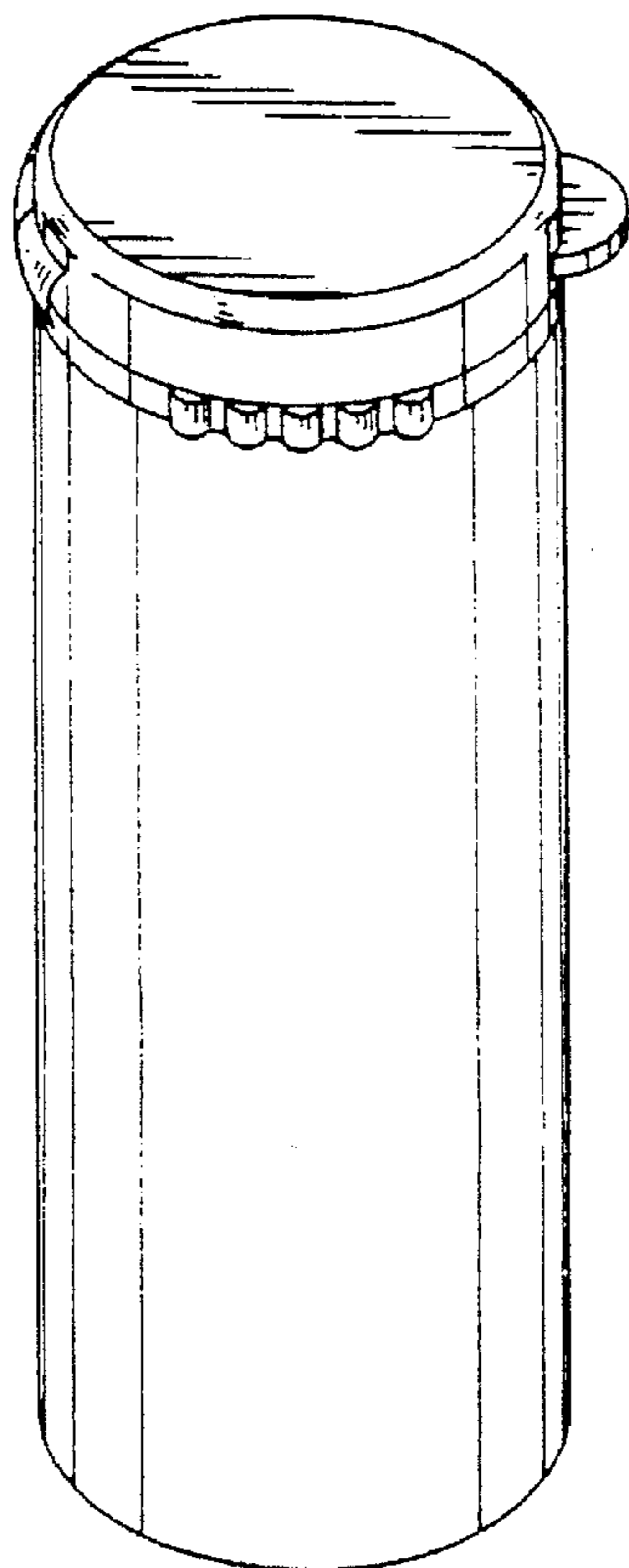


FIG. 9

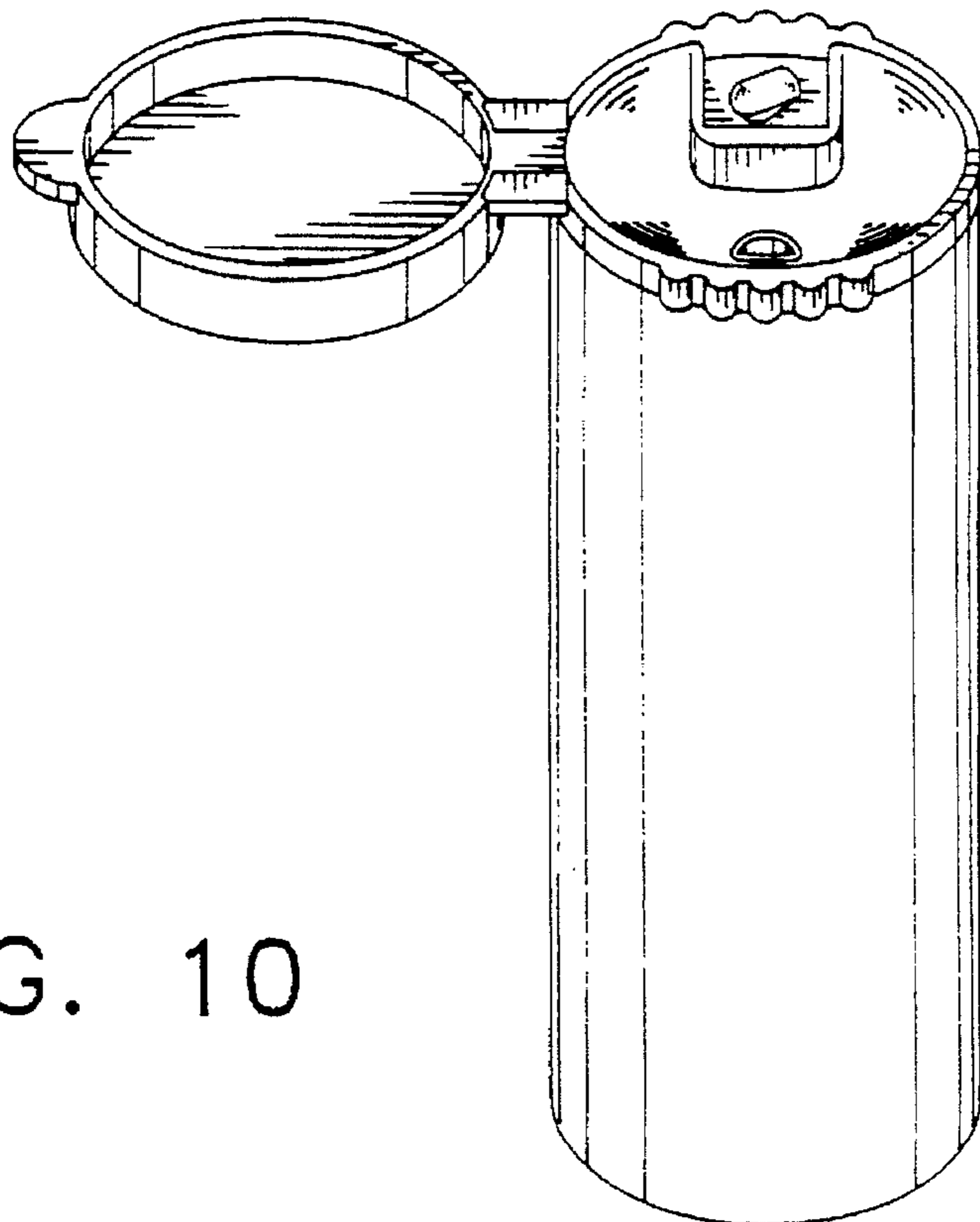


FIG. 10