



US00D381463S

# United States Patent [19] Gerber

[11] Patent Number: Des. 381,463

[45] Date of Patent: \*\*Jul. 22, 1997

[54] HAIR STYLING DEVICE

[76] Inventor: Lisa Gerber, 2055 E. Hampton Ave., #184, Mesa, Ariz. 85204

[\*\*] Term: 14 Years

[21] Appl. No.: 37,012

[22] Filed: Apr. 3, 1995

### Related U.S. Application Data

[63] Continuation-in-part of Ser. No. 242,114, May 13, 1994.

[51] LOC (6) Cl. .... 28-03

[52] U.S. Cl. .... D28/42

[58] Field of Search ..... D28/39-42, 25, D28/29; 132/273, 275, 278, 279, 126, 132, 133, 135, 138, 139

### [56] References Cited

#### U.S. PATENT DOCUMENTS

|            |         |           |       |           |
|------------|---------|-----------|-------|-----------|
| D. 357,550 | 4/1995  | Smith     | ..... | D28/42    |
| 573,887    | 12/1896 | Kraus     | .     |           |
| 918,203    | 4/1909  | Schwarzer | .     |           |
| 918,783    | 4/1909  | Sinclair  | ..... | 132/279   |
| 2,811,749  | 11/1957 | David     | ..... | 132/279 X |
| 3,698,403  | 10/1972 | Moran     | ..... | 132/279   |
| 5,174,312  | 12/1992 | Adams     | ..... | 132/273   |
| 5,284,167  | 2/1994  | Gill      | ..... | 132/129 X |

Primary Examiner—Ted Shooman

Assistant Examiner—C. Tuttle

Attorney, Agent, or Firm—Harness, Dickey & Pierce, P.L.C.

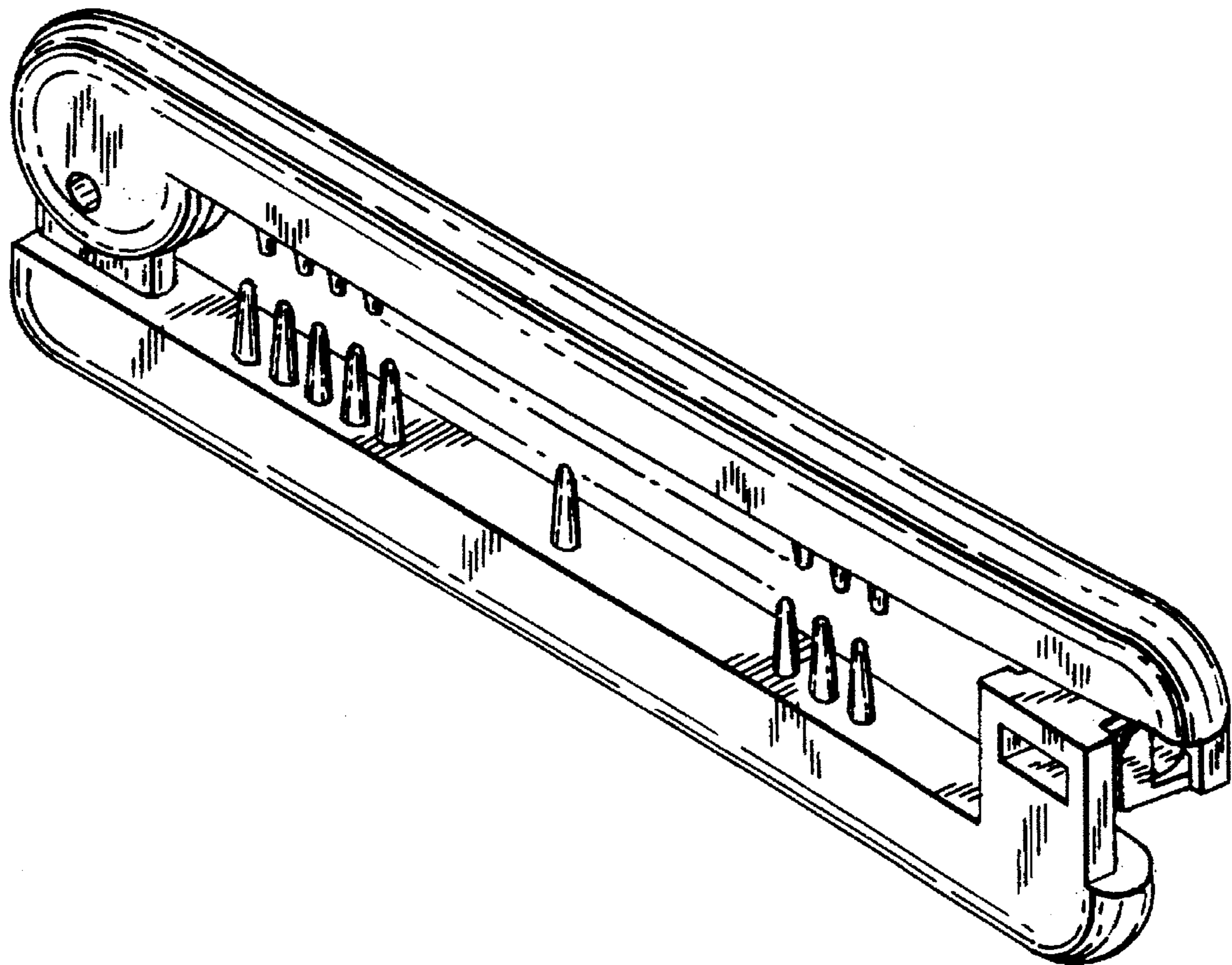
### [57] CLAIM

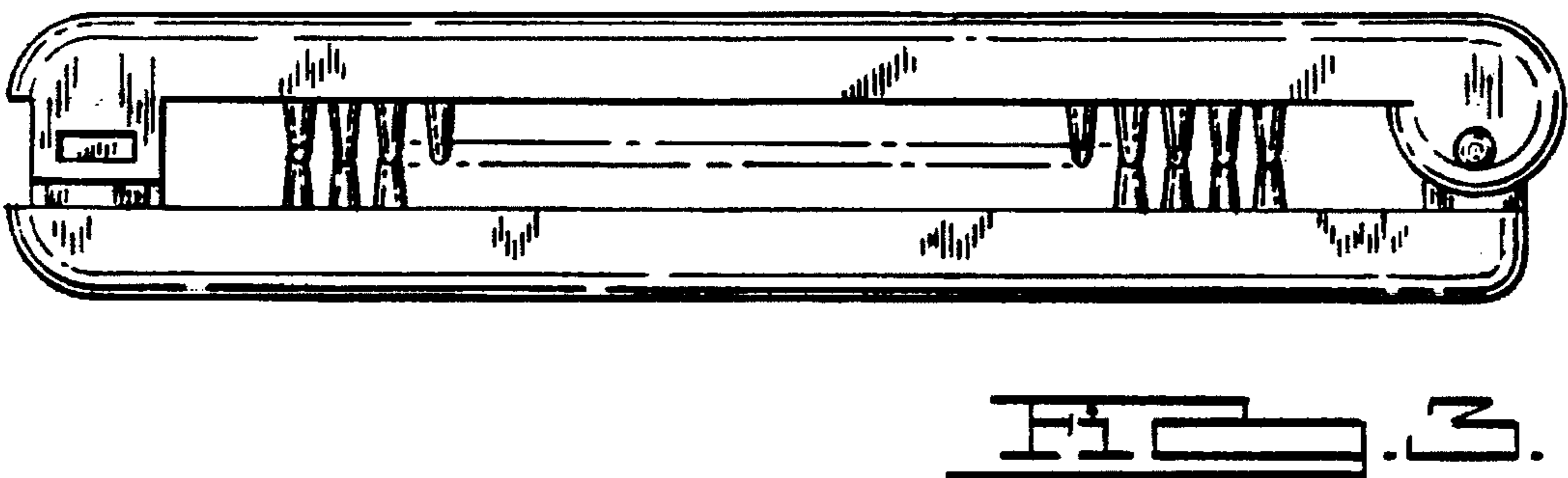
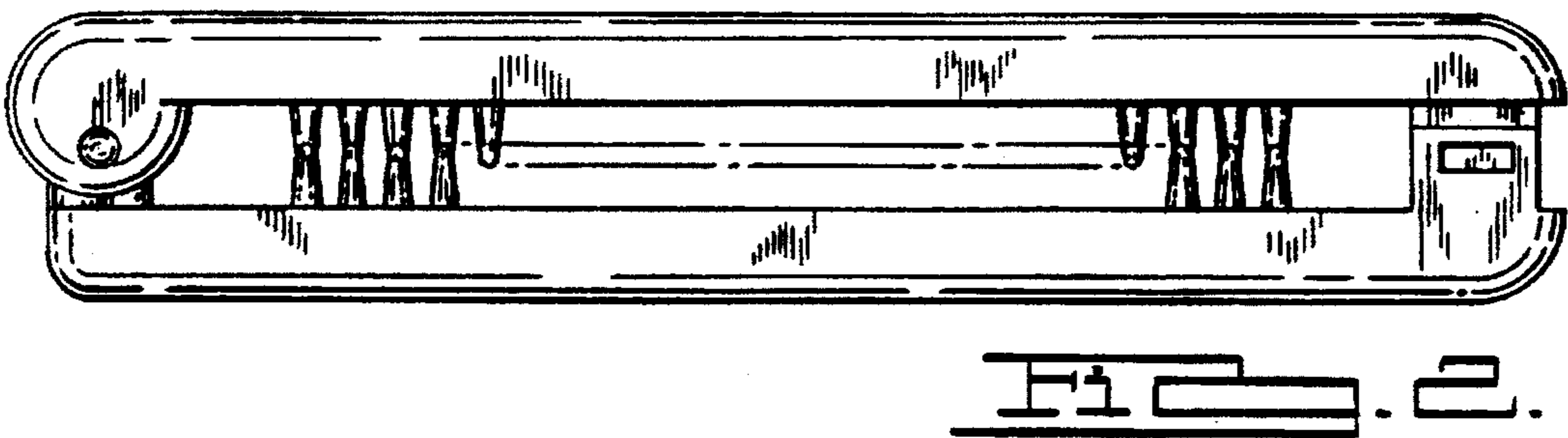
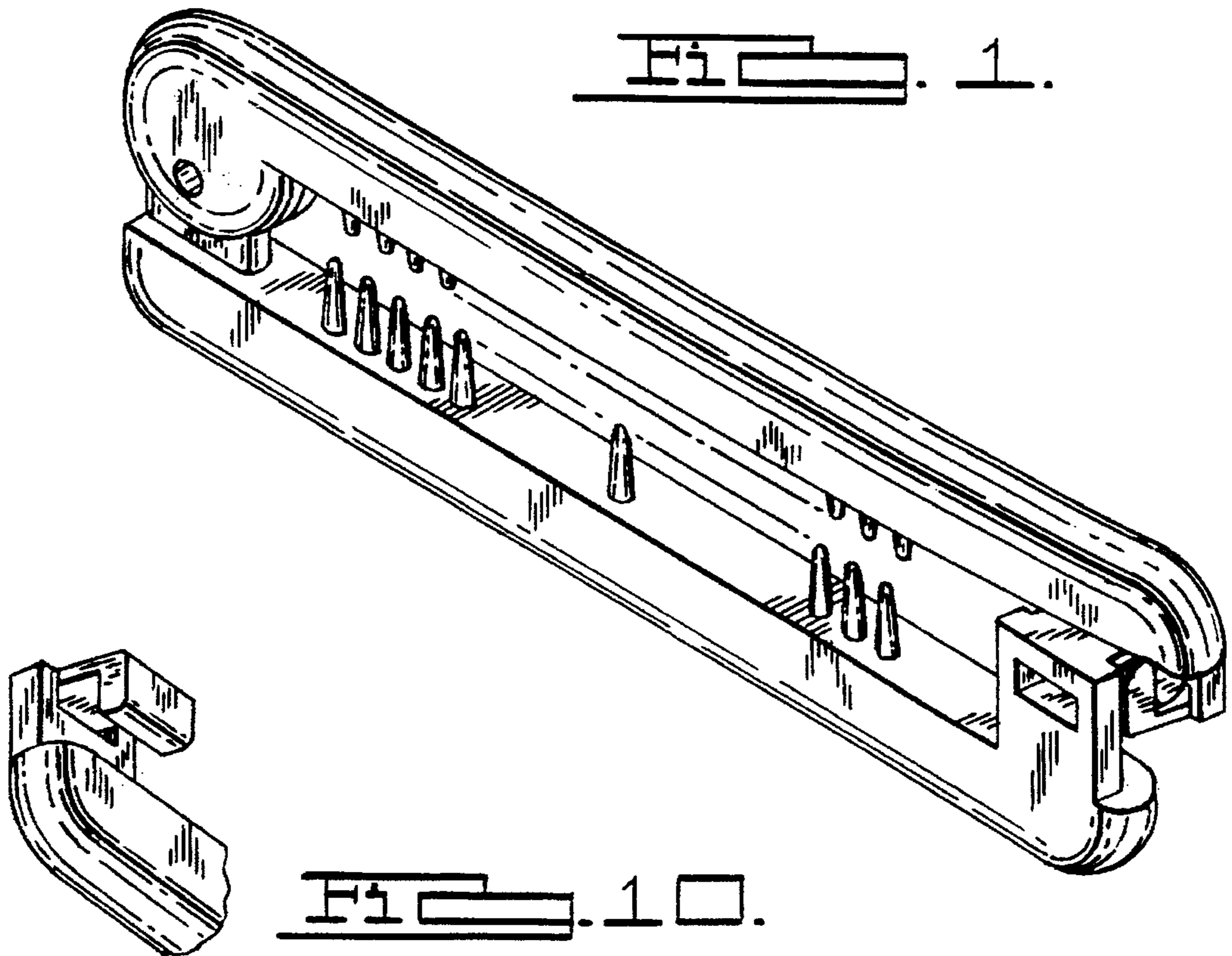
The ornamental design for a hair styling device, as shown and described.

### DESCRIPTION

FIG. 1 is a top perspective view of a hair styling device showing my new design;  
 FIG. 2 is a front elevational view thereof;  
 FIG. 3 is a rear elevational view thereof;  
 FIG. 4 is a left end elevational view shown on an enlarged scale;  
 FIG. 5 is a right end elevational view thereof;  
 FIG. 6 is a top plan view of FIG. 1;  
 FIG. 7 is a bottom plan view thereof;  
 FIG. 8 is a top plan view of the bottom member shown disengaged from the top member for clarity of disclosure;  
 FIG. 9 is a bottom plan view of the top member shown disengaged from the top for clarity of disclosure; and,  
 FIG. 10 is a bottom perspective view of the top member of the design, shown fragmentarily for ease of illustration.  
 The partially illustrated tooth rows are understood to continue throughout the regions bound by the dashed lines on the drawing.

1 Claim, 2 Drawing Sheets





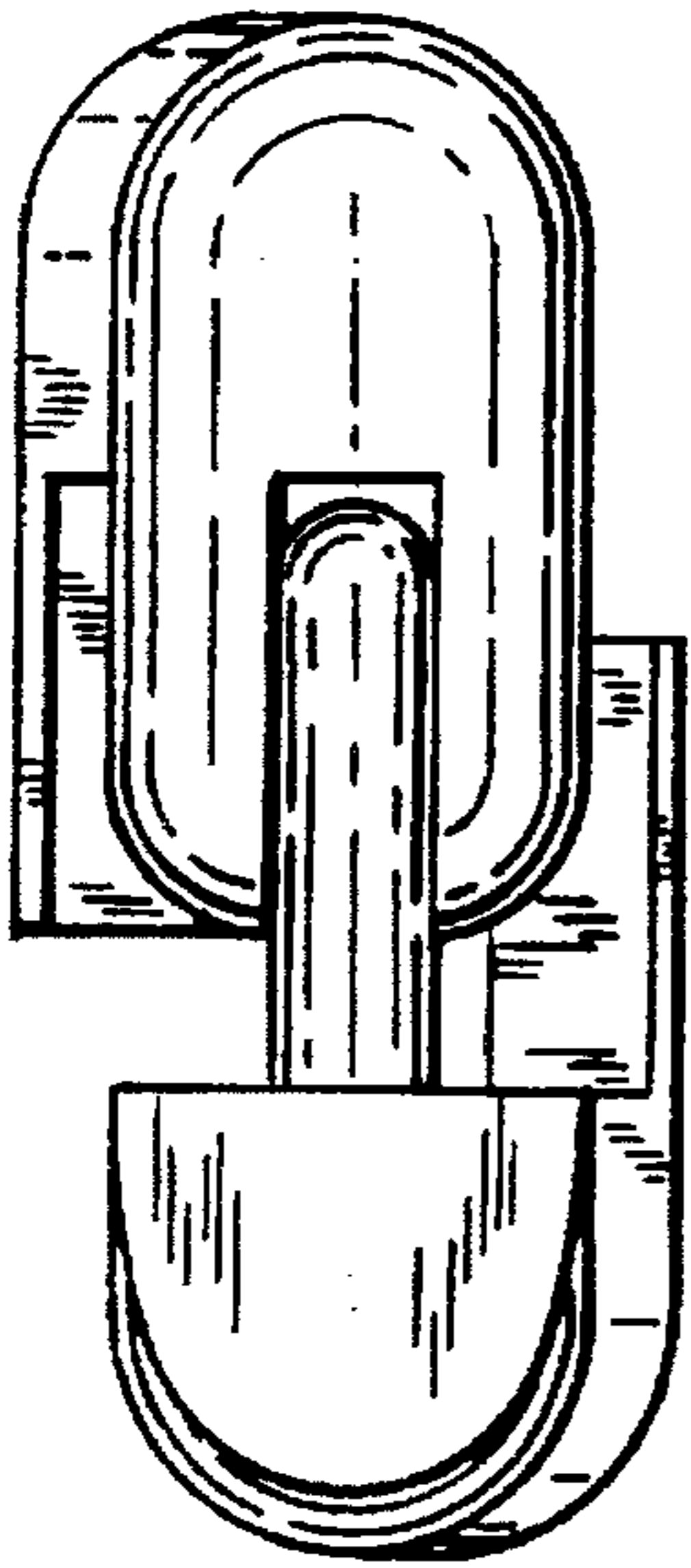


FIG. 1.

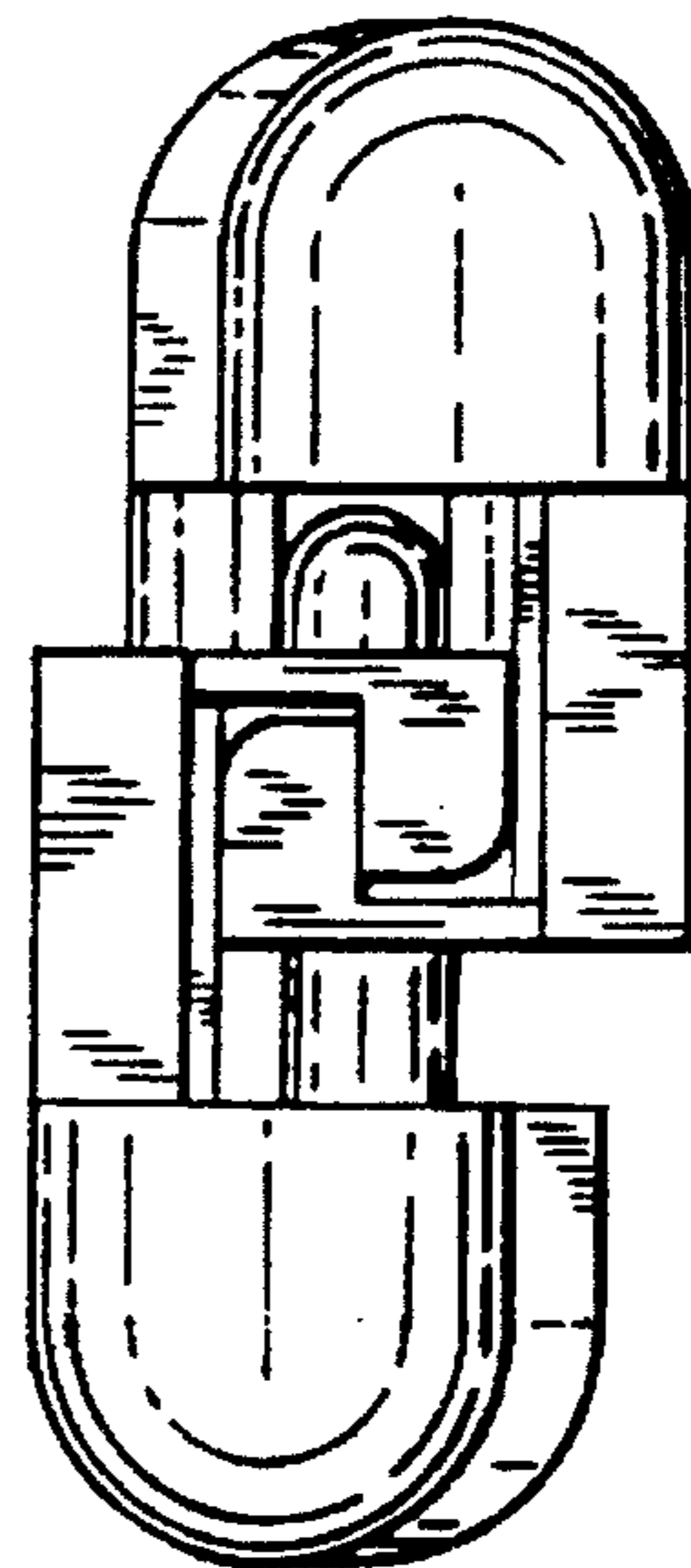


FIG. 2.

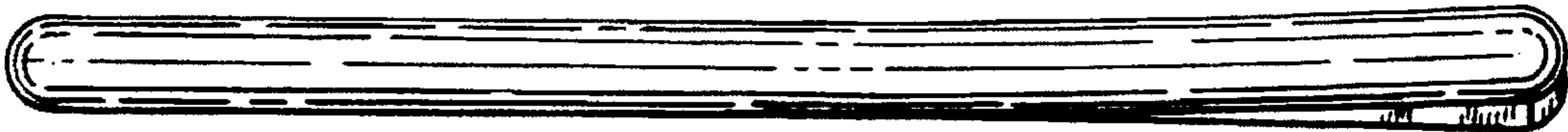


FIG. 3.

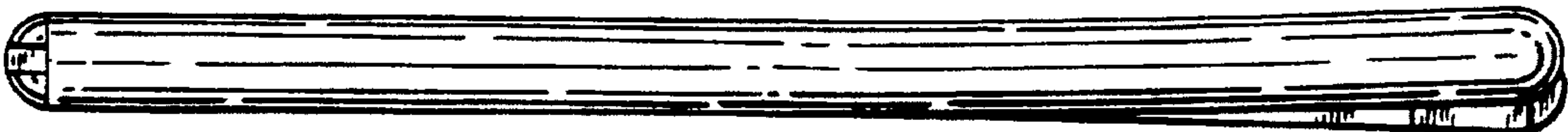


FIG. 4.



FIG. 5.



FIG. 6.