



US00D381462S

United States Patent [19]
Bailey

[11] **Patent Number:** **Des. 381,462**
[45] **Date of Patent:** ****Jul. 22, 1997**

[54] **MUSTACHE SHIELD**

FOREIGN PATENT DOCUMENTS

[76] **Inventor:** **Dennis H. Bailey**, 10 Gracel St.,
Bloomfield, N.J. 07003

704817 2/1931 France 2/174
1088143 3/1955 France 132/319

[**] **Term:** **14 Years**

Primary Examiner—Ted Shooman
Assistant Examiner—C. Tuttle
Attorney, Agent, or Firm—Harold H. Dutton, Jr.; W. Charles
L. Jamison; Diane F. Liebman

[21] **Appl. No.:** **51,390**

[22] **Filed:** **Mar. 8, 1996**

[57] **CLAIM**

[51] **LOC (6) Cl.** **28-03**

The ornamental design for a mustache shield, as shown.

[52] **U.S. Cl.** **D28/44; D28/44**

[58] **Field of Search** D28/9, 10, 7, 44,
D28/99; 132/215, 289, 319, 320; 2/174,
206

DESCRIPTION

FIG. 1 is a perspective view of a mustache shield showing my new design;

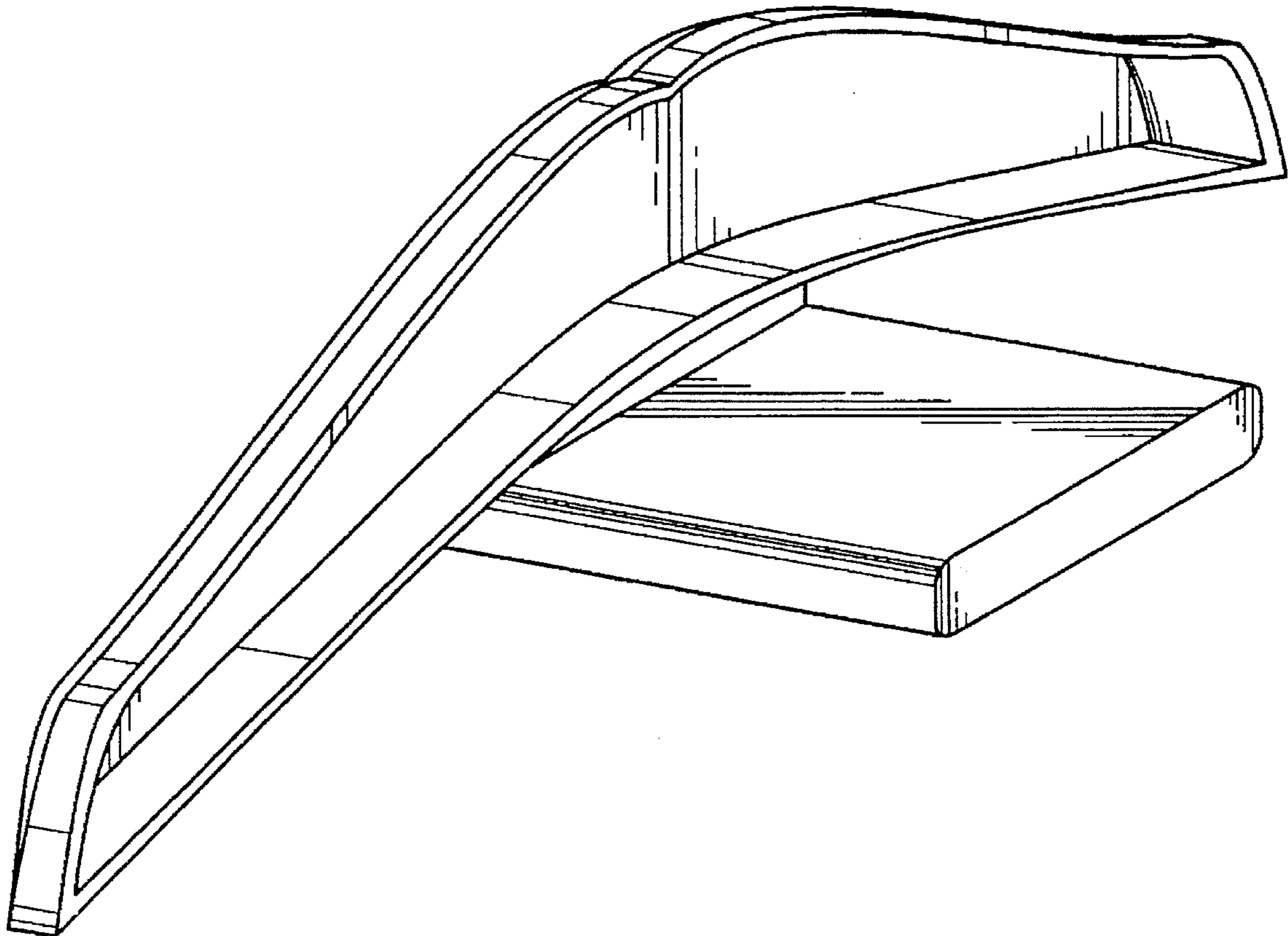
FIG. 2 is a rear side view thereof;
FIG. 3 is a front side view thereof;
FIG. 4 is a right side view thereof;
FIG. 5 is a left side view thereof;
FIG. 6 is a top view thereof; and,
FIG. 7 is a bottom view thereof.

[56] **References Cited**

U.S. PATENT DOCUMENTS

435,748 9/1890 Hollinshead 132/215
2,133,093 10/1938 Greenberger 2/174
2,266,535 12/1941 Compan 132/319
2,543,458 2/1951 Hess 132/319
3,870,055 3/1975 Barbarow 132/215

1 Claim, 4 Drawing Sheets



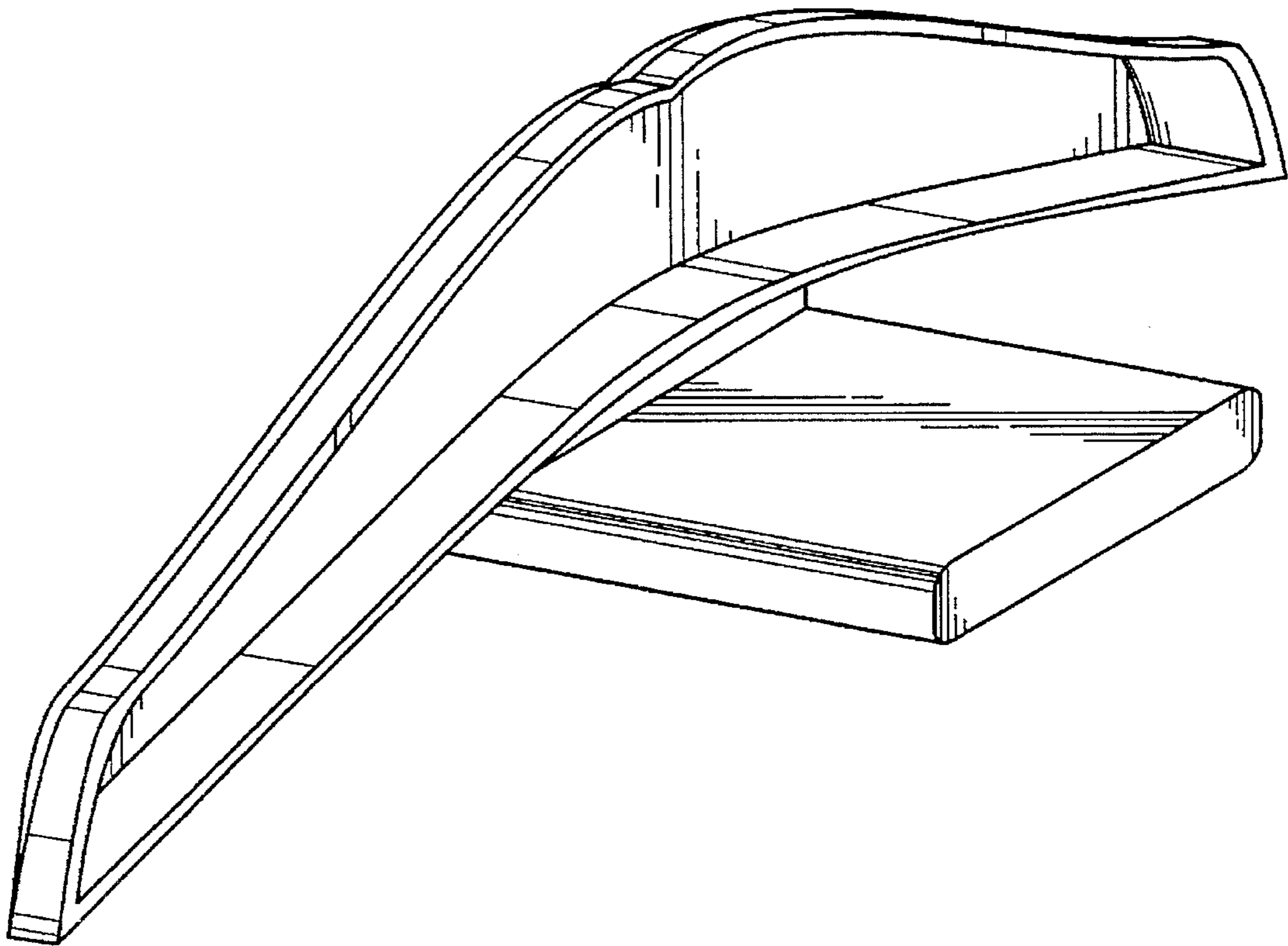


FIG. 1

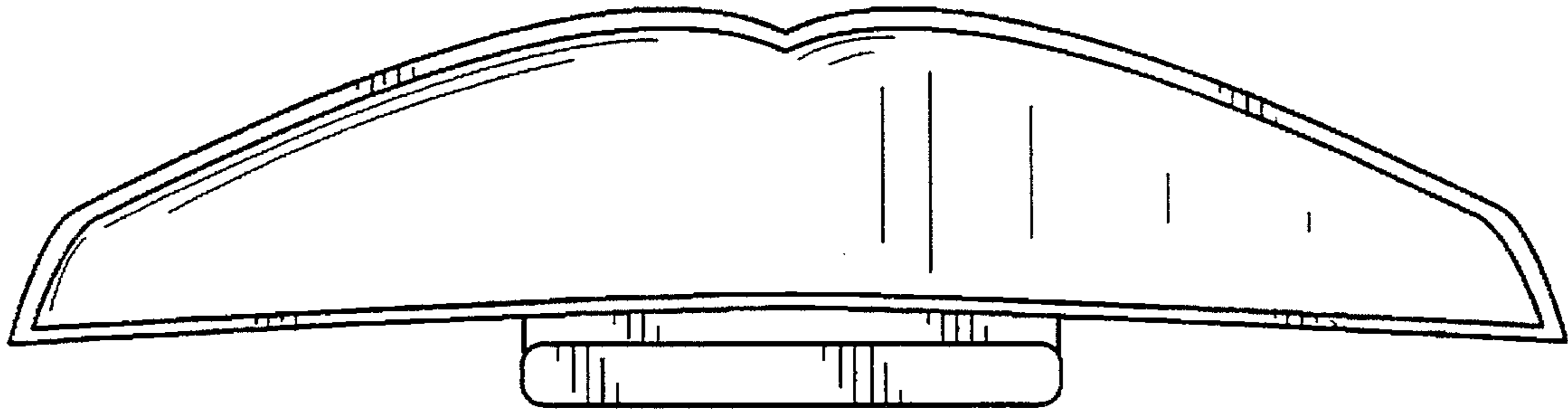


FIG. 2

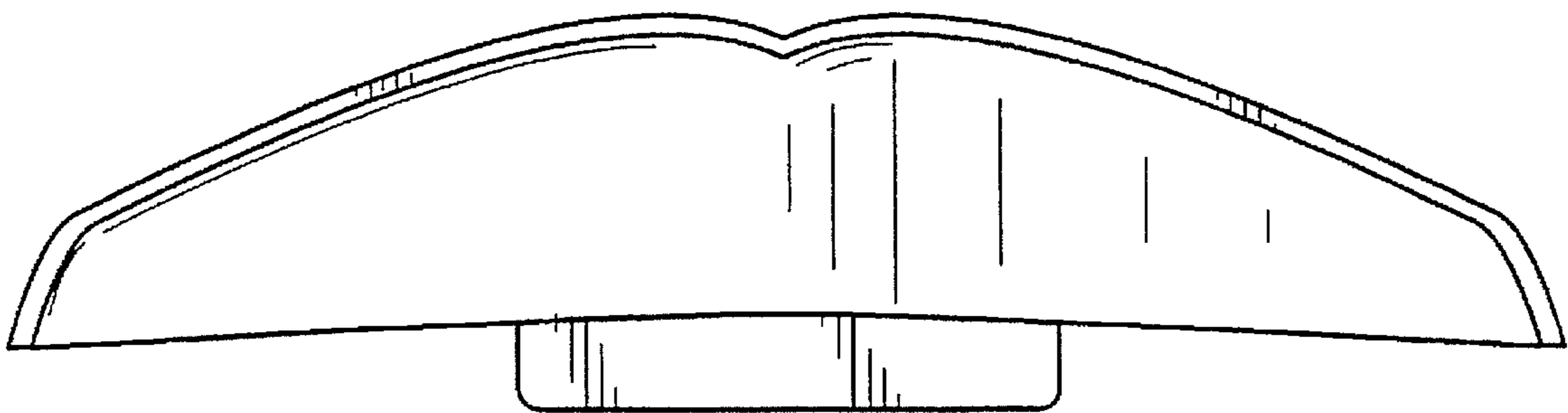


FIG. 3

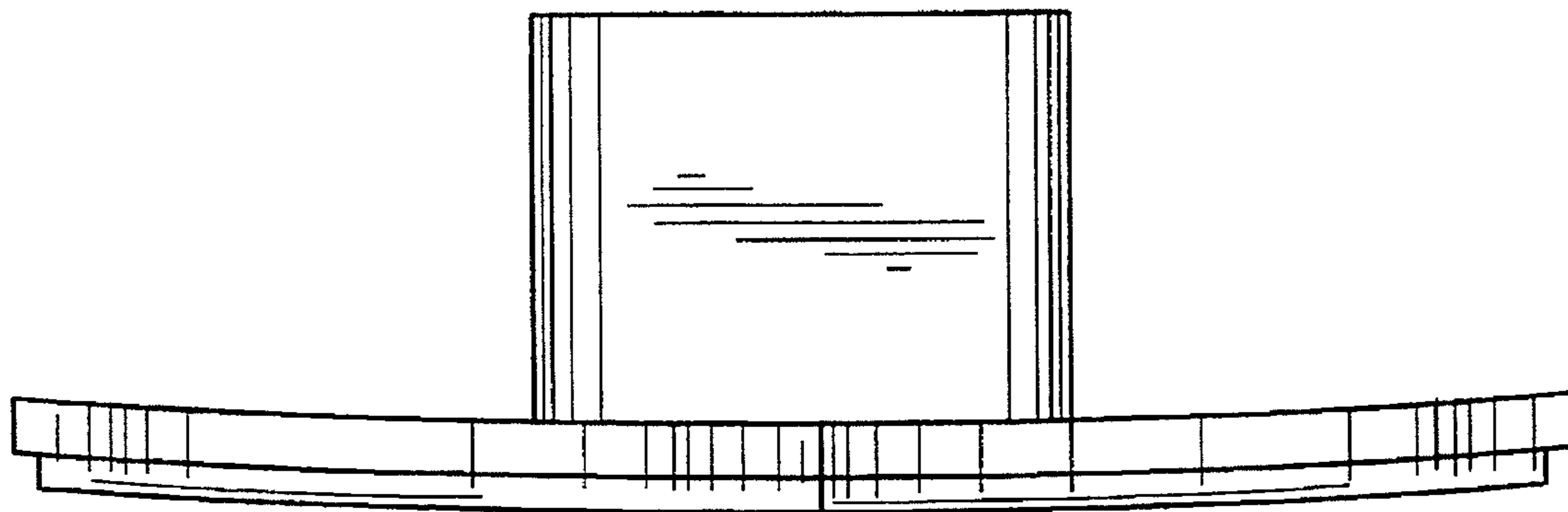


FIG. 6

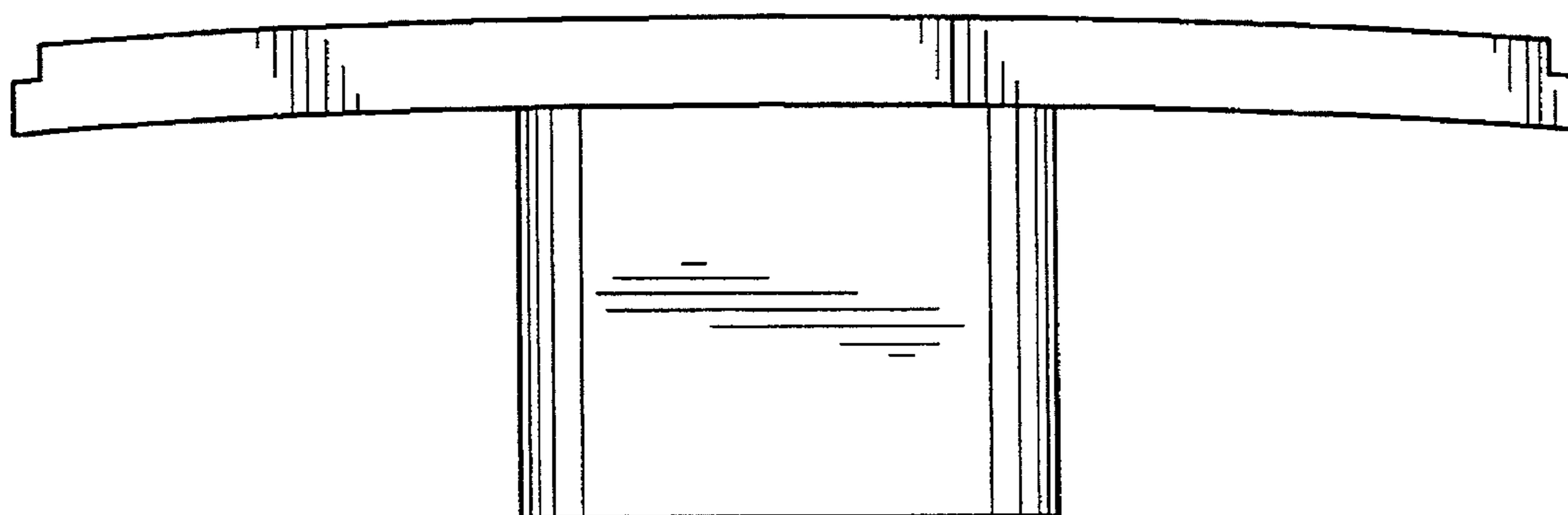


FIG. 7

FIG. 4

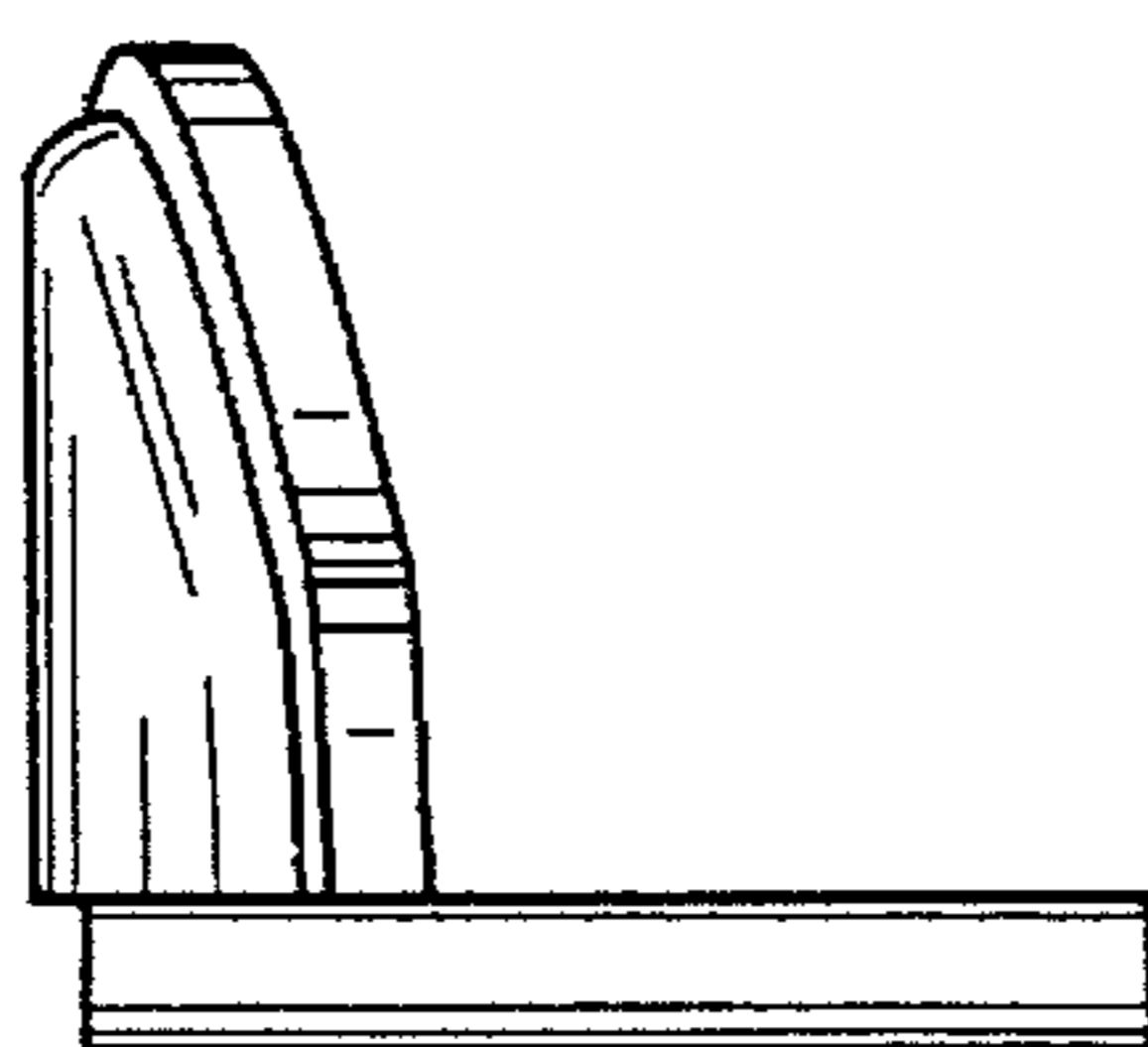


FIG. 5

