



US00D381454S

United States Patent [19]

Lecluze

[11] Patent Number: **Des. 381,454**

[45] Date of Patent: ****Jul. 22, 1997**

[54] TRIM FOR RECESSED LIGHTING FIXTURE

[76] Inventor: **Michel Lecluze**, 1009, rue du Parc Industriel, St -Jean-Chrysostome, Québec, Canada, G6Z 1C5

[**] Term: **14 Years**

[21] Appl. No.: **47,455**

[22] Filed: **Dec. 4, 1995**

[51] LOC (6) Cl. **26-99**

[52] U.S. Cl. **D26/115; D26/74**

[58] Field of Search D26/74, 113, 118; 362/147, 148, 277, 269, 364, 365, 366, 346, 341

[56] References Cited

U.S. PATENT DOCUMENTS

| | | | | |
|------------|--------|-------------|-------|-----------|
| D. 370,550 | 6/1996 | LeCluze | | D26/118 |
| 4,733,339 | 3/1988 | Kelsall | | 362/365 X |
| 5,222,800 | 6/1993 | Chan et al. | | 362/147 |

OTHER PUBLICATIONS

Design with Lighting catalog, Dec. 28, 1993, p. 46, Recessed Light R. Specular Clear.

Primary Examiner—Susan J. Lucas
Attorney, Agent, or Firm—Jean H. Dubuc

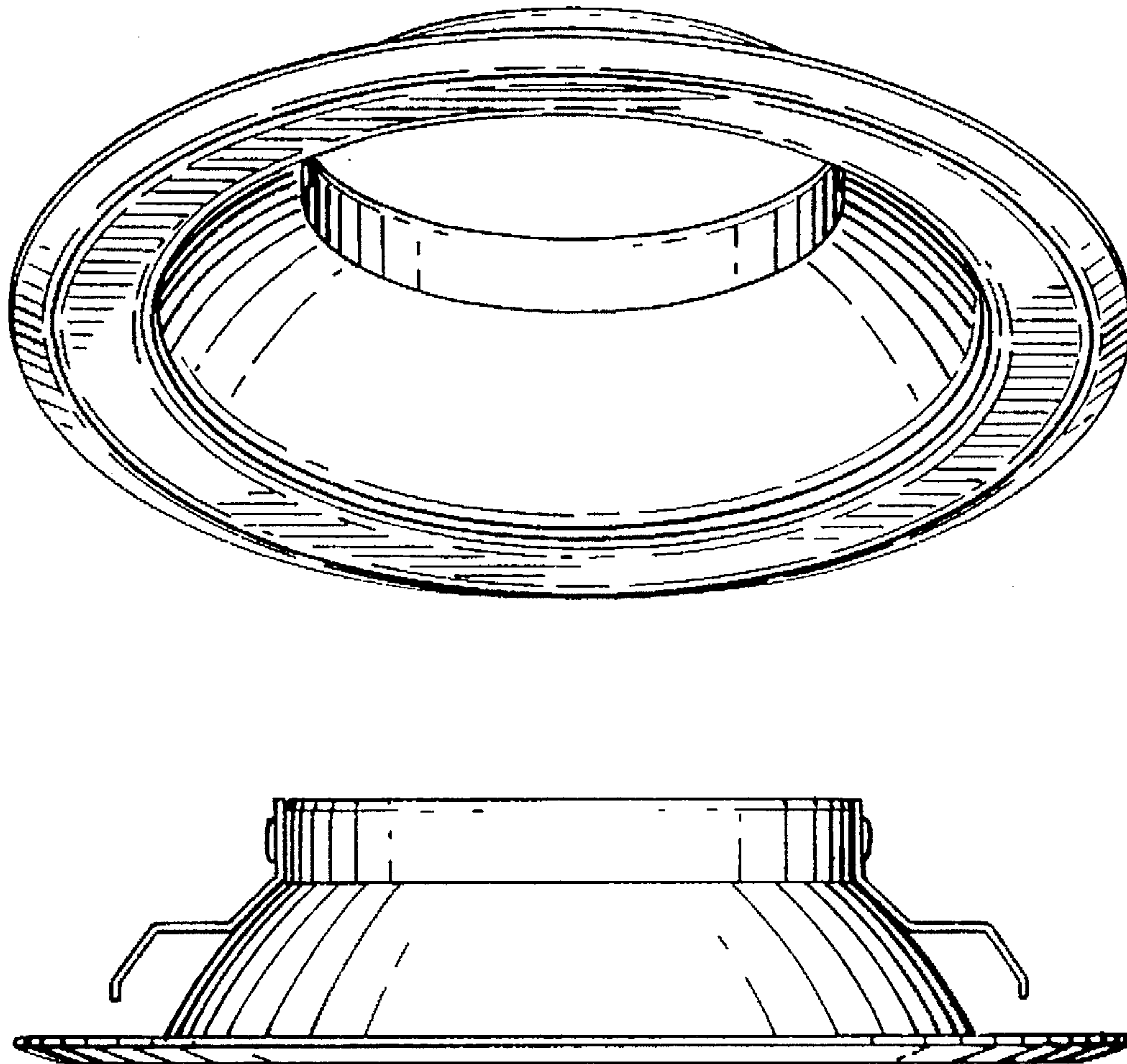
[57] CLAIM

The ornamental design for a trim for recessed lighting fixture, as shown and described.

DESCRIPTION

FIG. 1 is a bottom perspective view of a trim for recessed lighting fixture showing my new design;
FIG. 2 is a bottom plan view thereof;
FIG. 3 is a side view thereof as seen from the bottom of FIG. 2;
FIG. 4 is a top plan view thereof; and,
FIG. 5 is a side view thereof as seen from the left of FIG. 3.

1 Claim, 2 Drawing Sheets



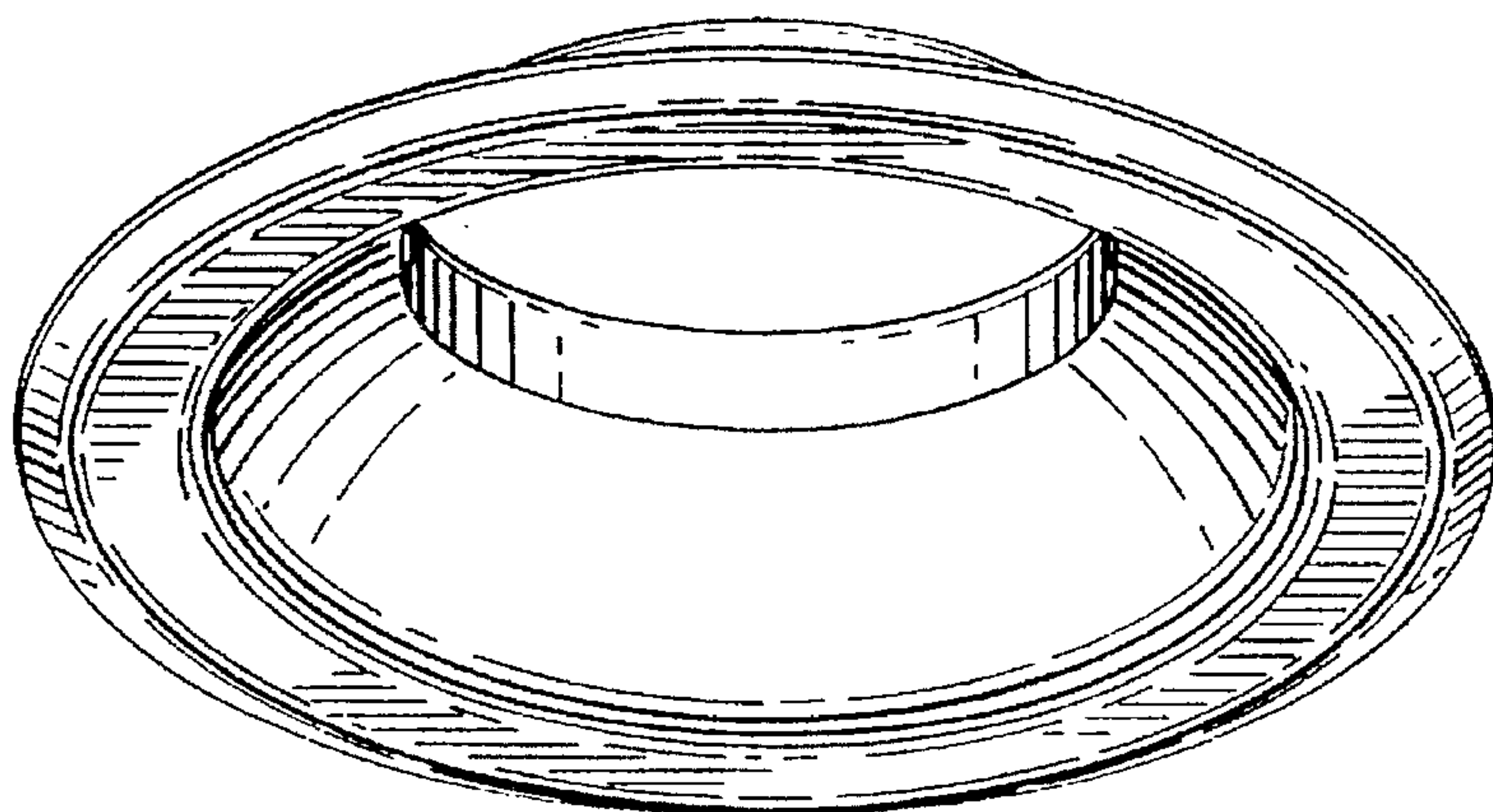


Fig. 1

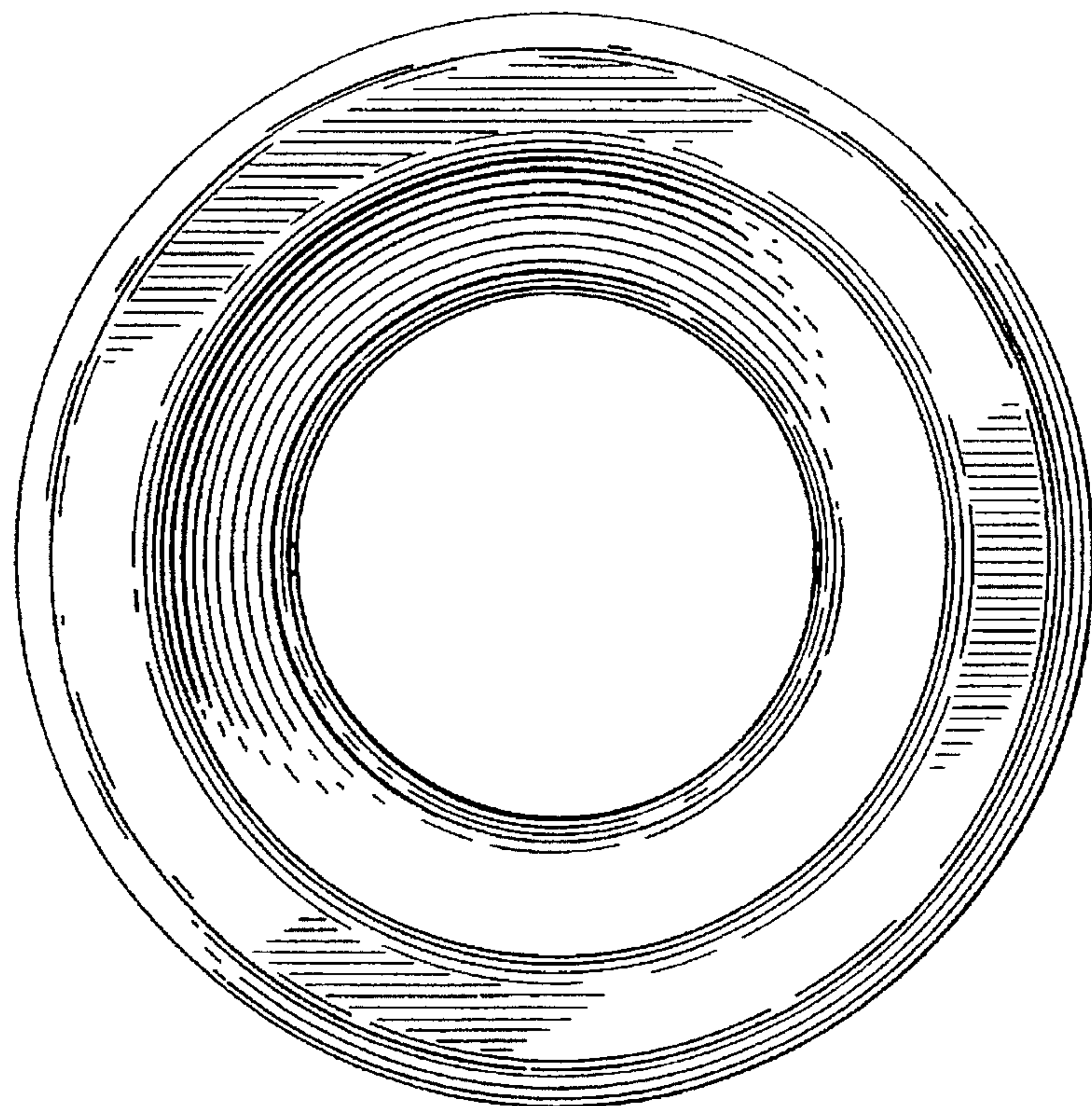


Fig. 2

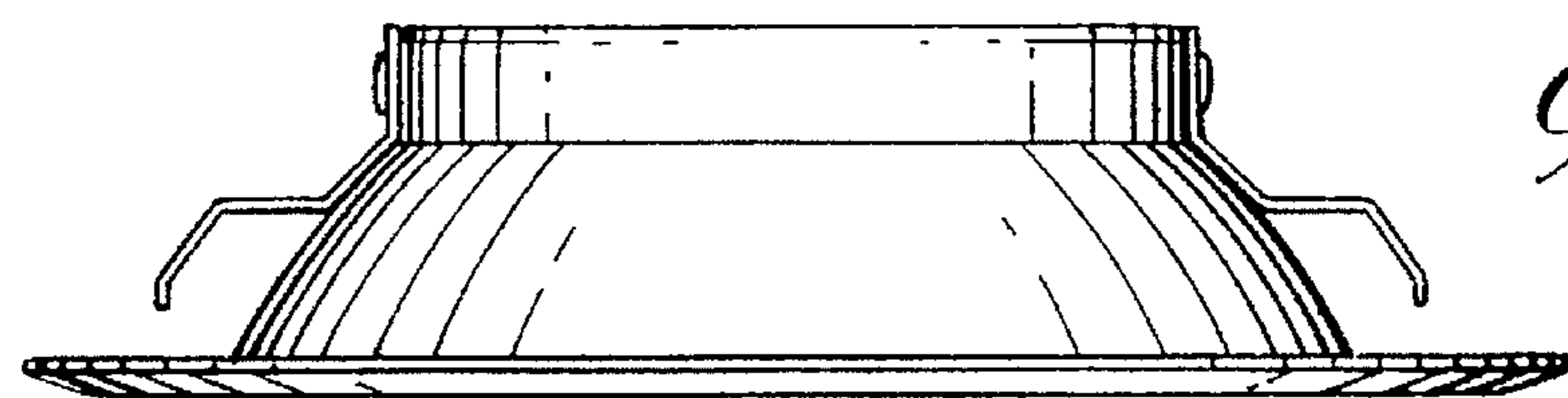


Fig. 3

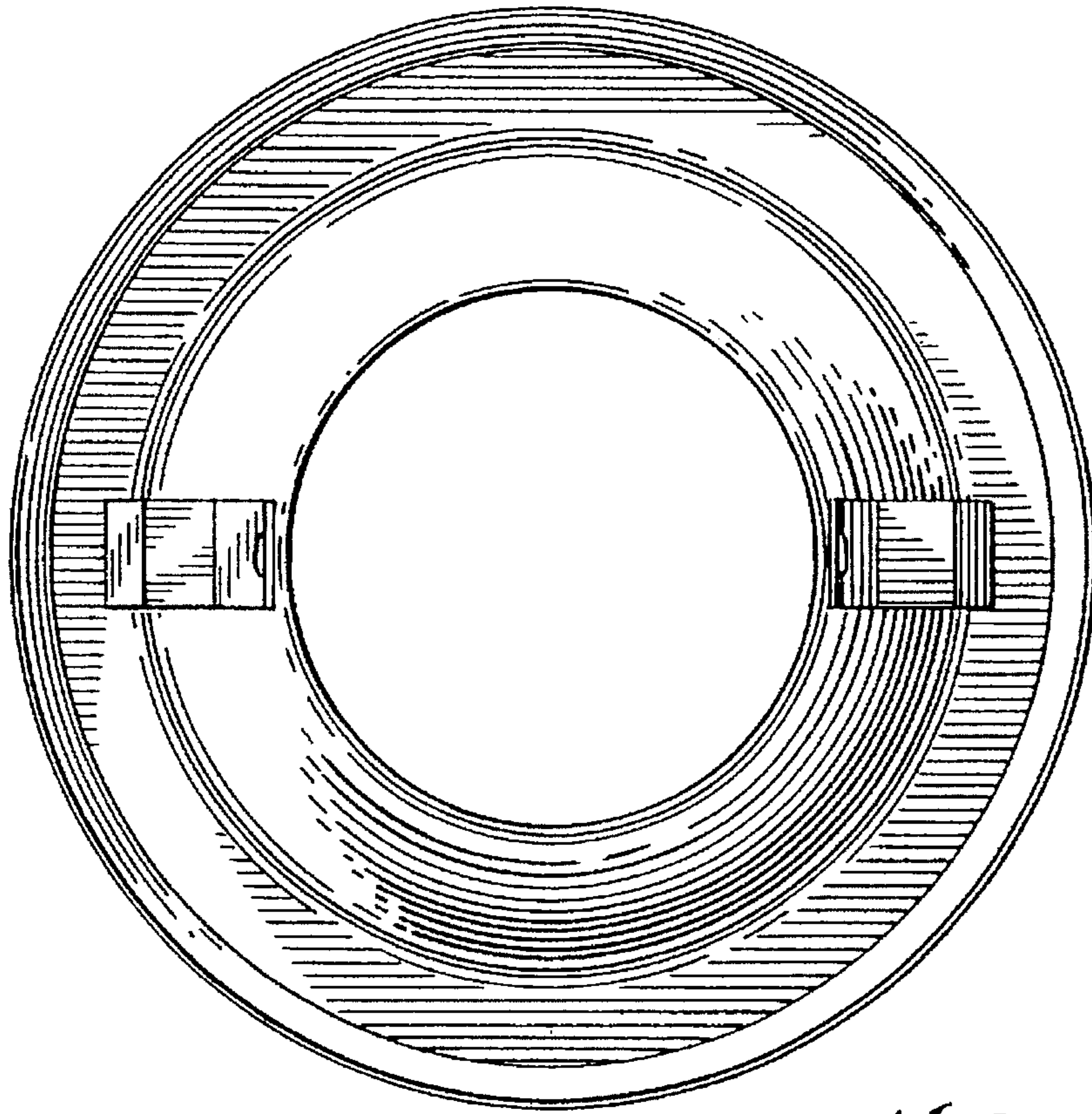


Fig. 4

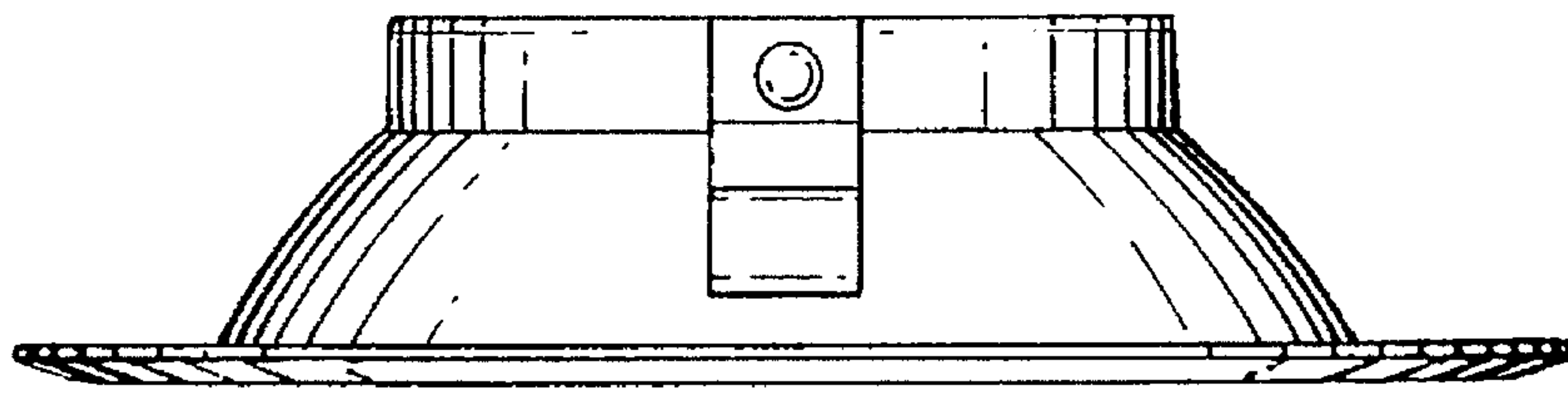


Fig. 5