



US00D381453S

United States Patent [19] Ragsdale

[11] Patent Number: **Des. 381,453**

[45] Date of Patent: ****Jul. 22, 1997**

[54] LAMP

[75] Inventor: **Matthew Ragsdale**, Coral Springs, Fla.

[73] Assignee: **Matthew K. Ragsdale**, Coral Springs, Fla.

[**] Term: **14 Years**

[21] Appl. No.: **30,450**

[22] Filed: **Oct. 31, 1994**

[51] LOC (6) Cl. **26-03**

[52] U.S. Cl. **D26/94**

[58] Field of Search D26/93, 94, 102-112;
362/410, 414, 806

[56] **References Cited**

U.S. PATENT DOCUMENTS

D. 165,127	11/1951	Zoss	D26/94
D. 246,398	11/1977	Raulson	D26/94
D. 261,686	11/1981	Kvasnicks	D26/93
D. 261,687	11/1981	Kvasnicks	D26/93
D. 261,688	11/1981	Kvasnicks	D26/102
D. 262,830	1/1982	Erdell	D26/93
D. 273,140	3/1984	Mann	D26/93
D. 274,474	6/1984	Castiglioni	D26/93
D. 282,290	1/1986	Scarpa	D26/93

D. 299,071	12/1988	Scarpa	D26/93
D. 299,763	2/1989	King et al.	D26/93
D. 300,954	5/1989	Glassman	D26/93
D. 319,704	9/1991	Miserendino	D26/107
D. 333,361	2/1993	Eddings	D26/93

Primary Examiner—Kay H. Chin

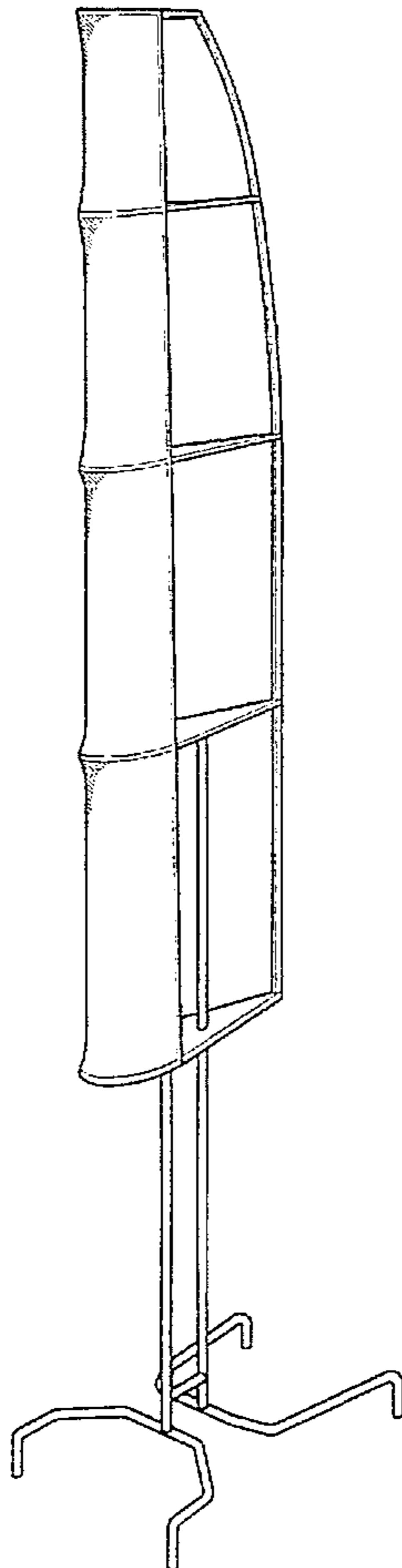
[57] **CLAIM**

The ornamental design for a lamp, as shown and described.

DESCRIPTION

FIG. 1 is a rear elevational view of a lamp showing my new design;
 FIG. 2 is a front elevational view thereof;
 FIG. 3 is a side elevational view thereof;
 FIG. 4 is a top plan view thereof;
 FIG. 5 is a bottom plan view thereof;
 FIG. 6 is a perspective view thereof;
 FIG. 7 is a perspective view of a second embodiment of the lamp;
 FIG. 8 is a side elevational view of FIG. 7;
 FIG. 9 is a bottom plan view of FIG. 7;
 FIG. 10 is a top plan view of FIG. 7;
 FIG. 11 is a rear elevational view of FIG. 7; and,
 FIG. 12 is a front elevational view of FIG. 7.

1 Claim, 5 Drawing Sheets



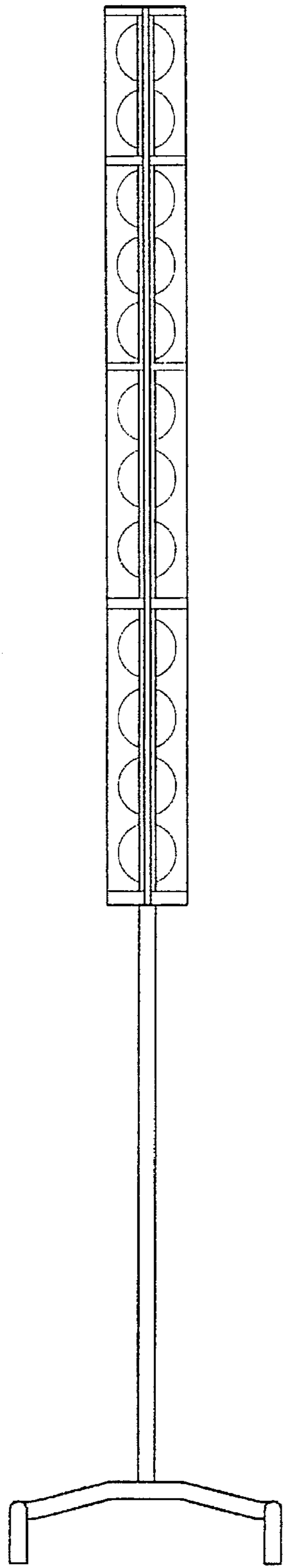


FIG. 1

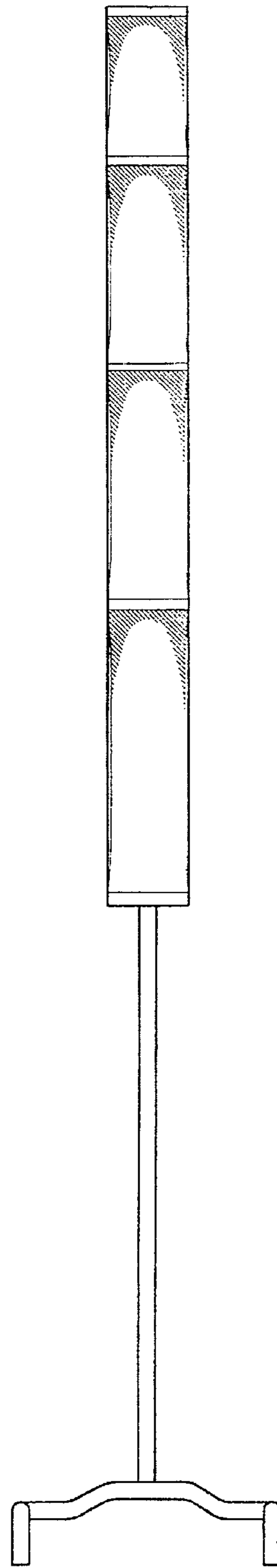


FIG. 2

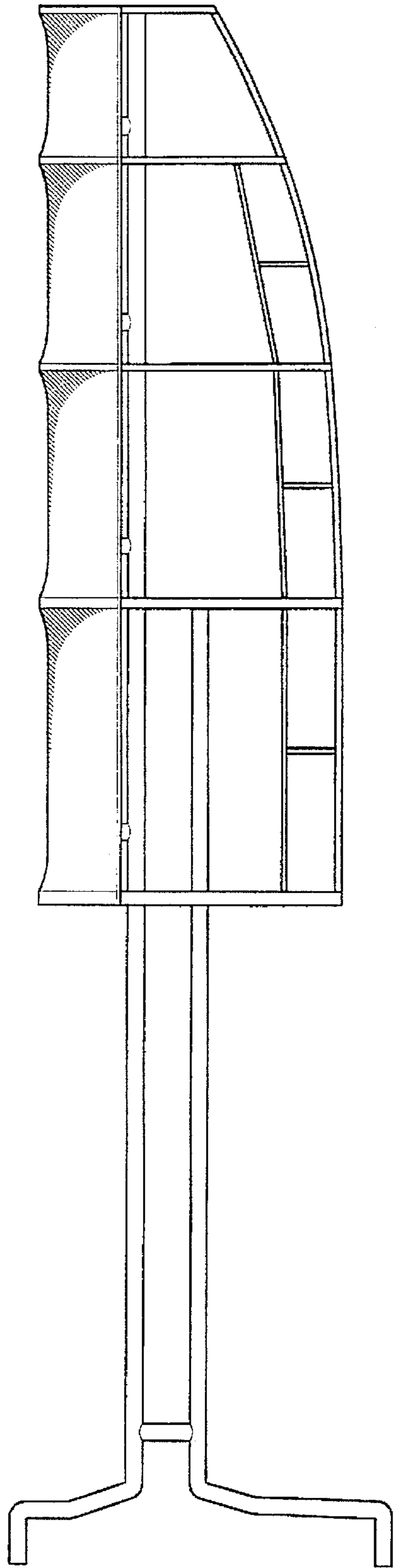


FIG. 3

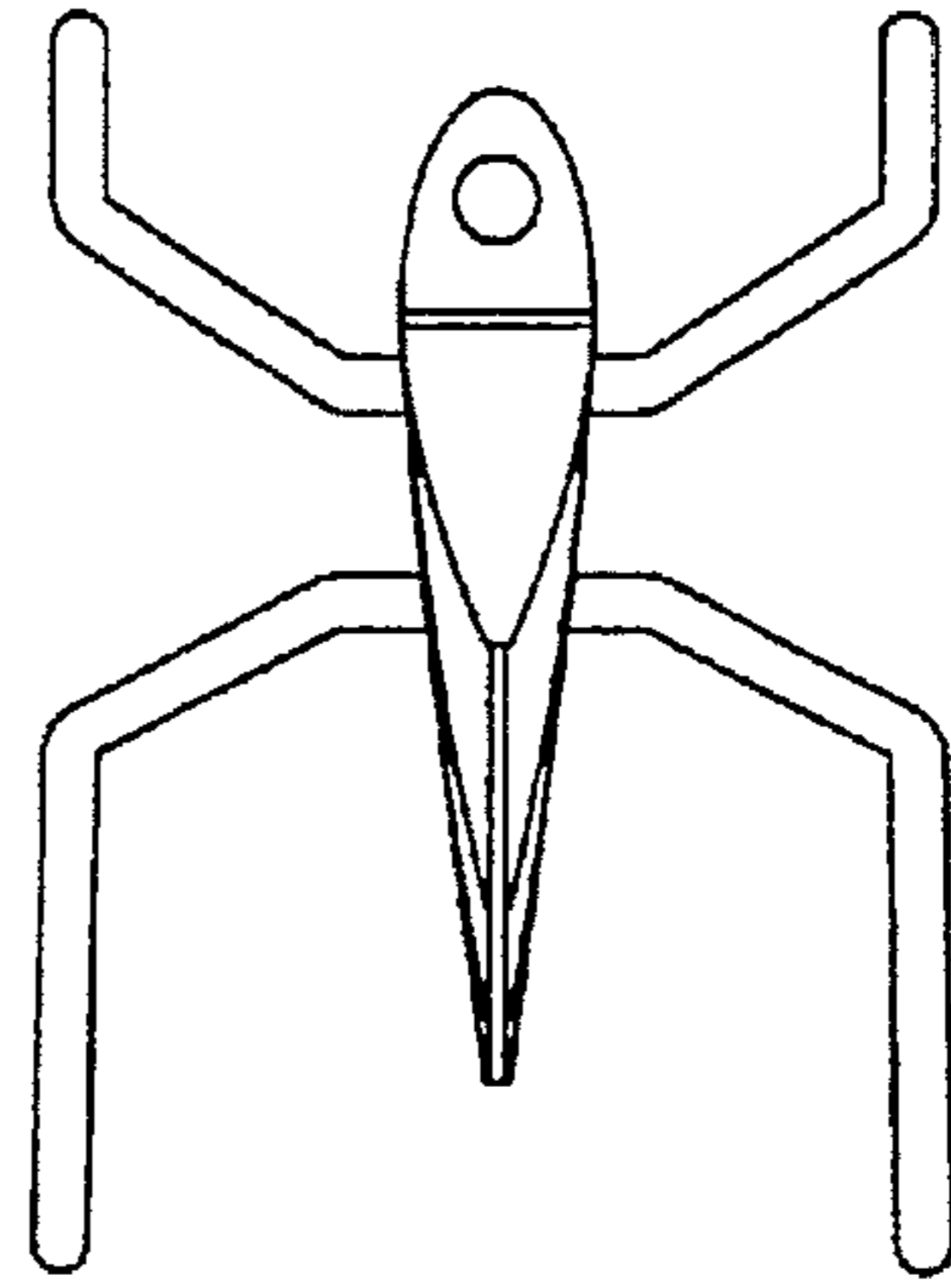


FIG. 4

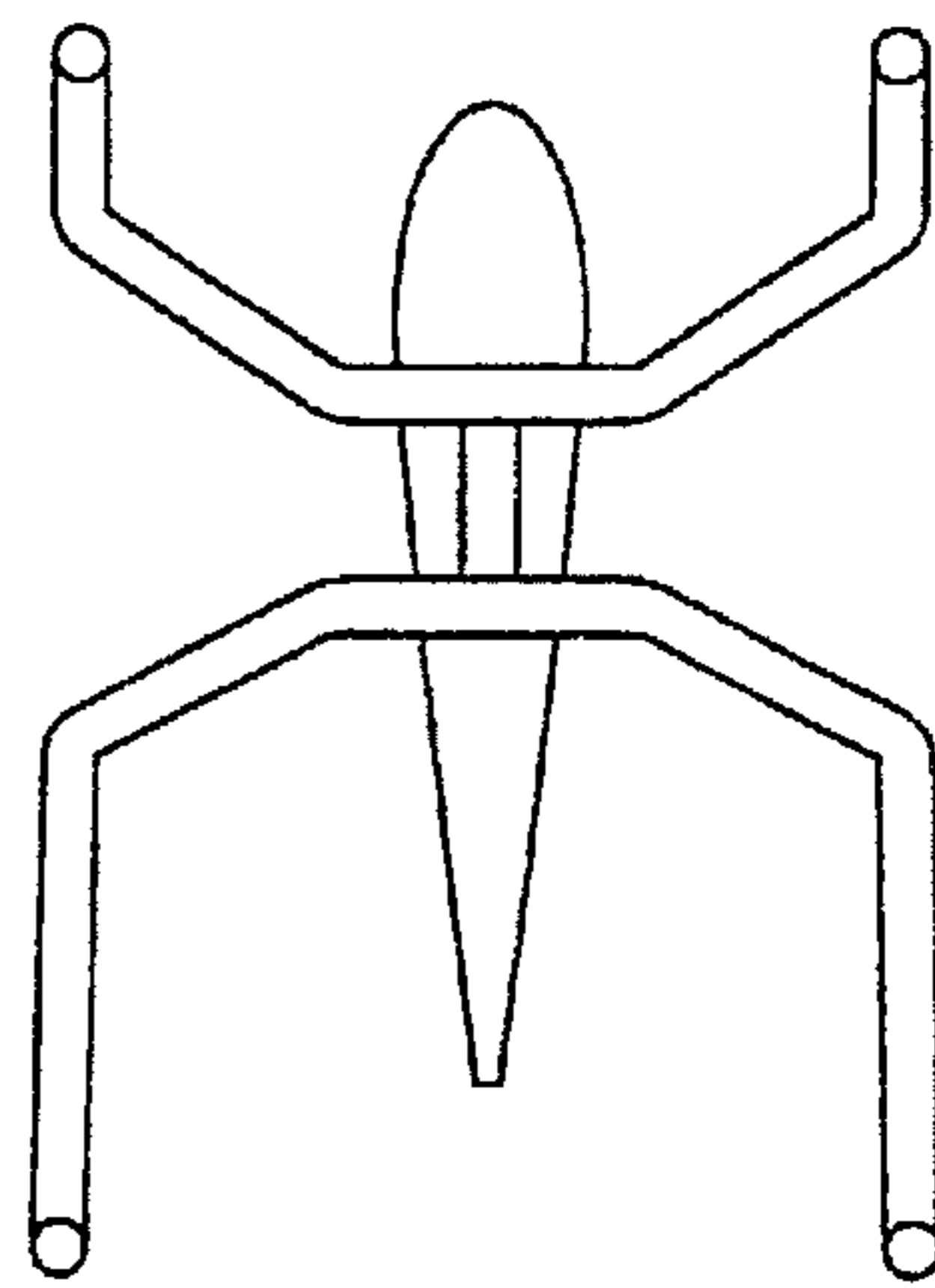


FIG. 5

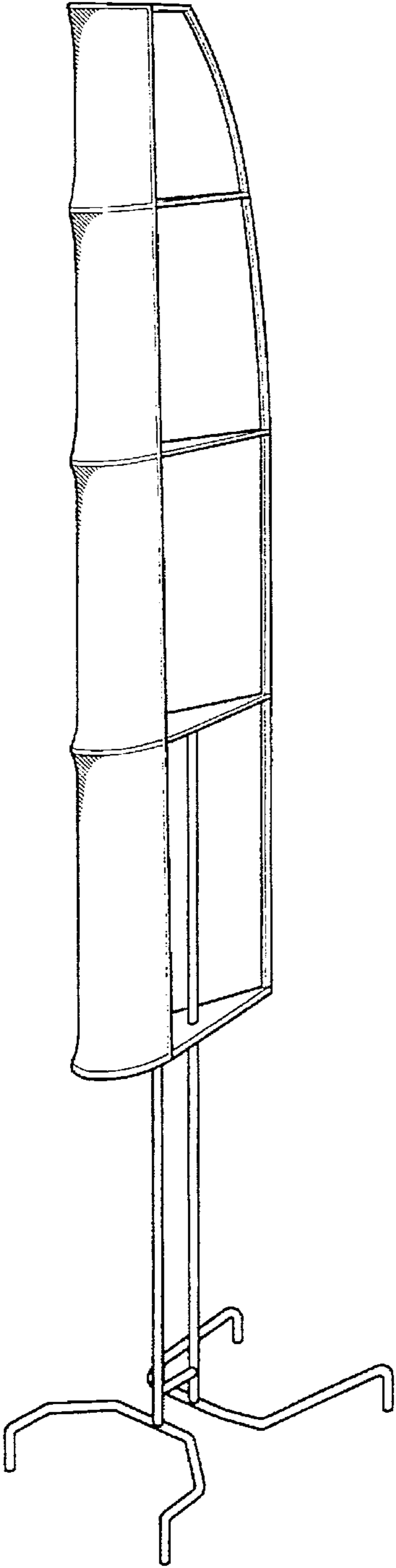


FIG. 6

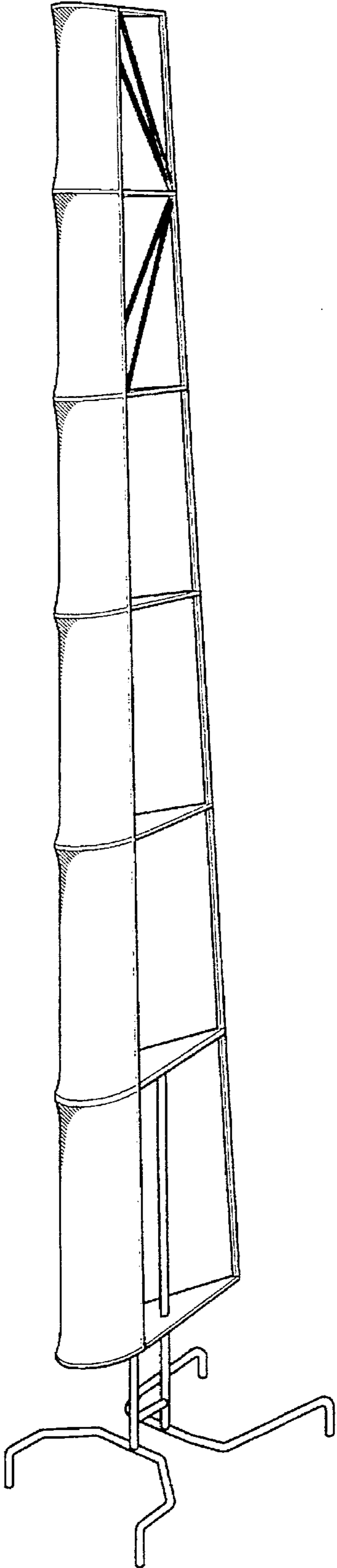


FIG. 7

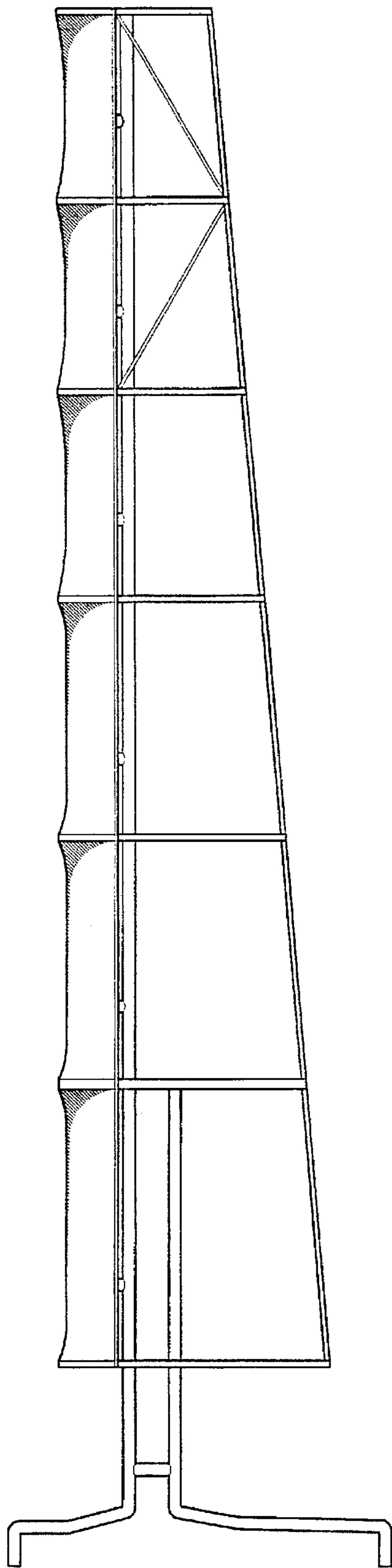


FIG. 8

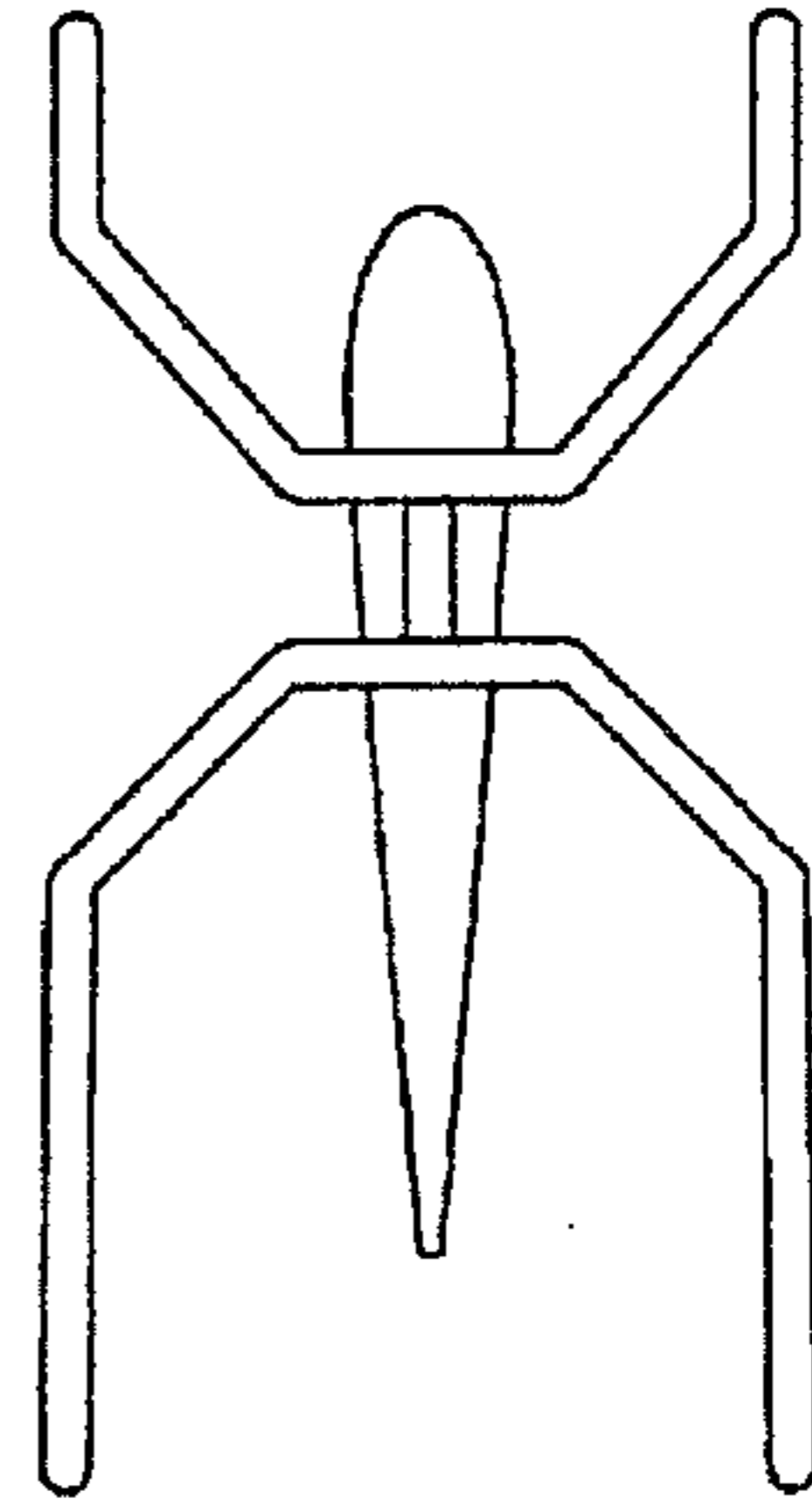


FIG. 9

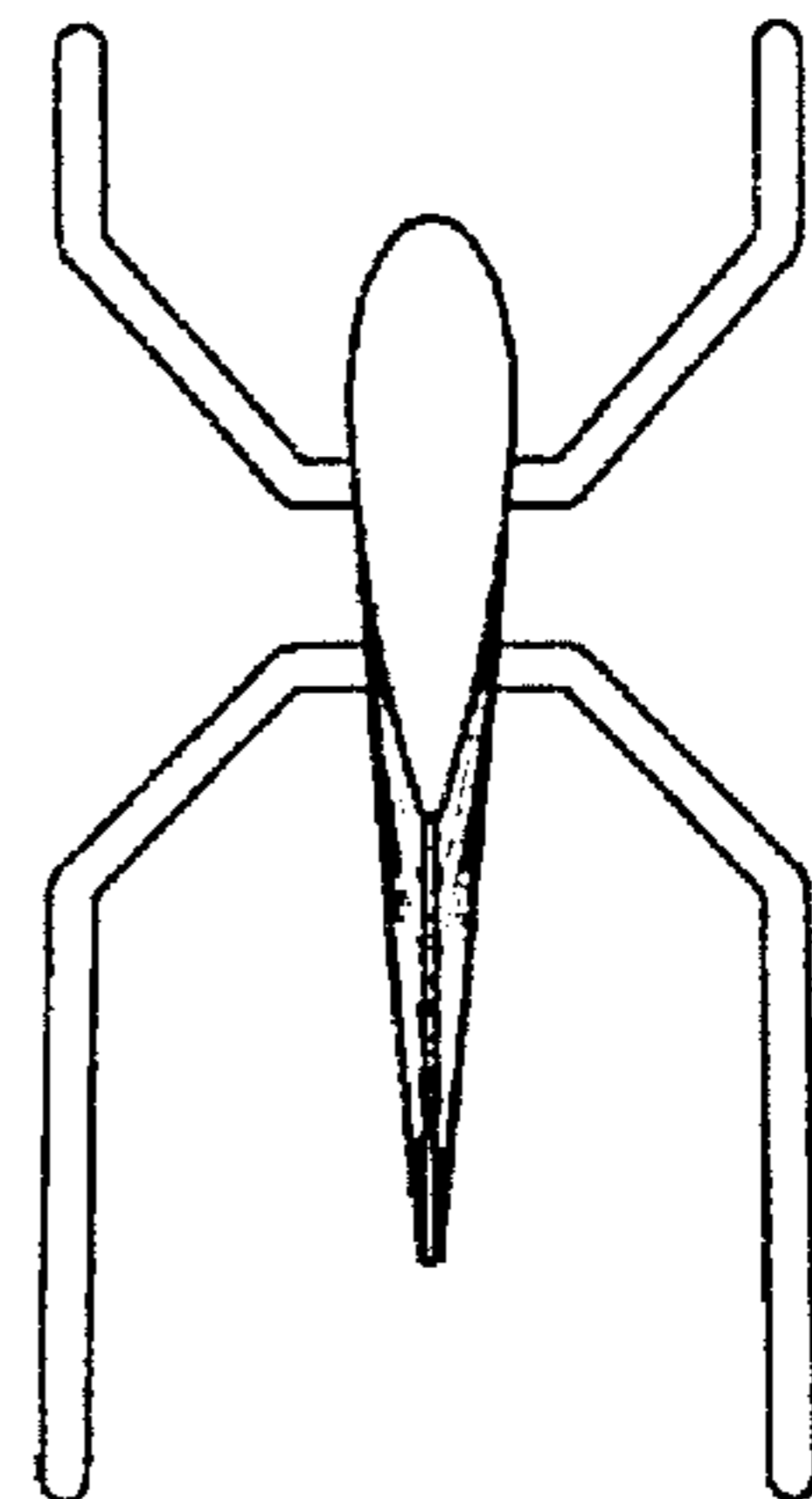


FIG. 10

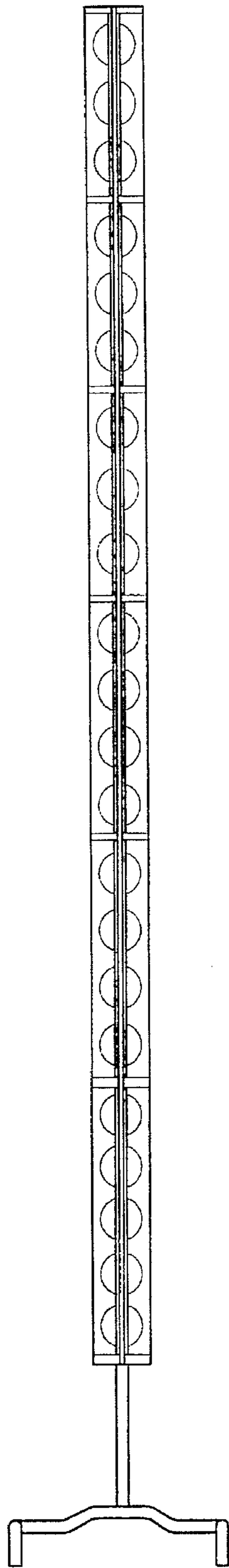


FIG. 11

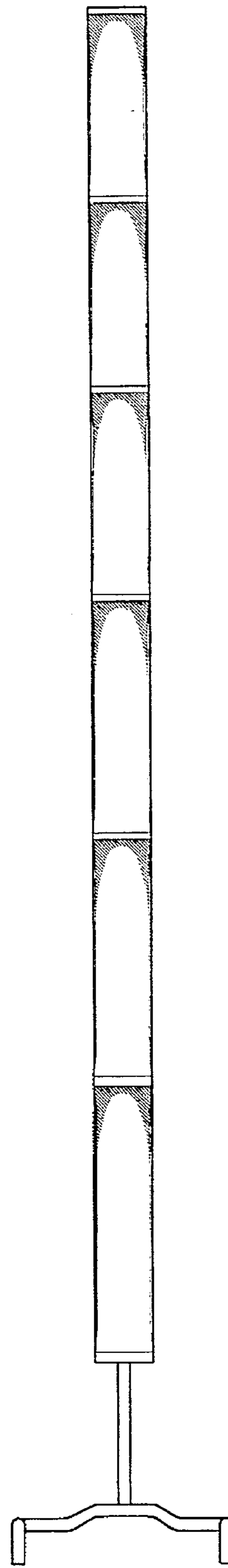


FIG. 12