



US00D381448S

United States Patent [19]
Chen

[11] **Patent Number: Des. 381,448**

[45] **Date of Patent: **Jul. 22, 1997**

[54] **BOOK LIGHT**

[76] Inventor: **Mike Chen**, c/o Hung Hsing Patent Service Center, P.O. Box 55-1670, Taipei (10477), Taiwan

[**] Term: **14 Years**

[21] Appl. No.: **50,220**

[22] Filed: **Feb. 12, 1996**

[51] LOC (6) Cl. **26-05**

[52] U.S. Cl. **D26/60**

[58] Field of Search D26/60; 362/396, 362/98, 99, 191

[56] **References Cited**

U.S. PATENT DOCUMENTS

D. 301,753 6/1989 Charet et al. D26/60

Primary Examiner—Susan J. Lucas

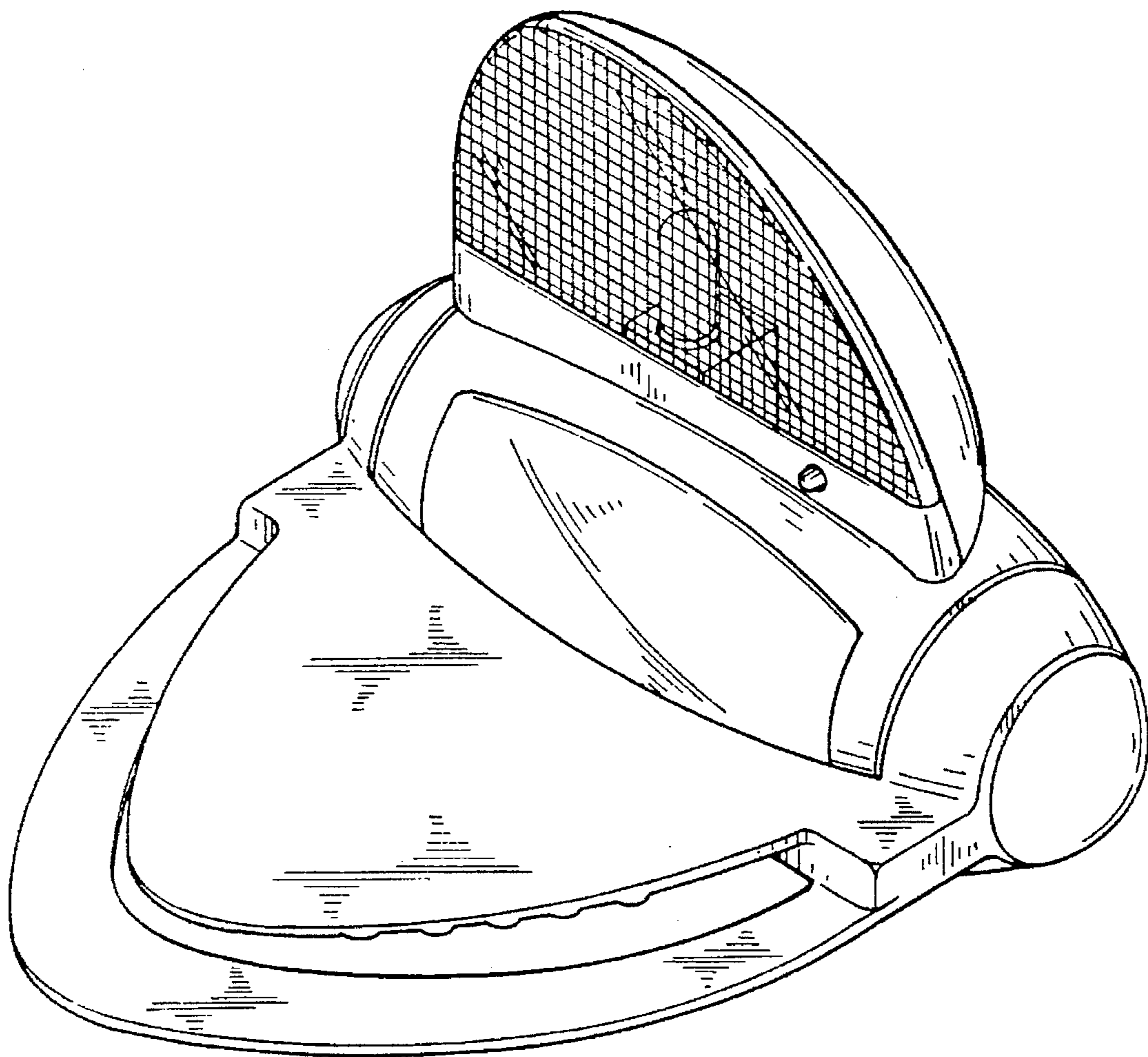
[57] **CLAIM**

The ornamental design for book light, as shown and described.

DESCRIPTION

FIG. 1 is a perspective view of a book light showing my new design;
FIG. 2 is a front elevational view;
FIG. 3 is a rear elevational view;
FIG. 4 is a left side elevational view;
FIG. 5 is a right side elevational view;
FIG. 6 is a top plan view;
FIG. 7 is a bottom plan view;
FIG. 8 is a perspective view of the book light when folded; and,
FIG. 9 is a perspective view of the book light in use, the broken lines being shown for illustrative purposes only and forming no part of the claimed design.

1 Claim, 6 Drawing Sheets



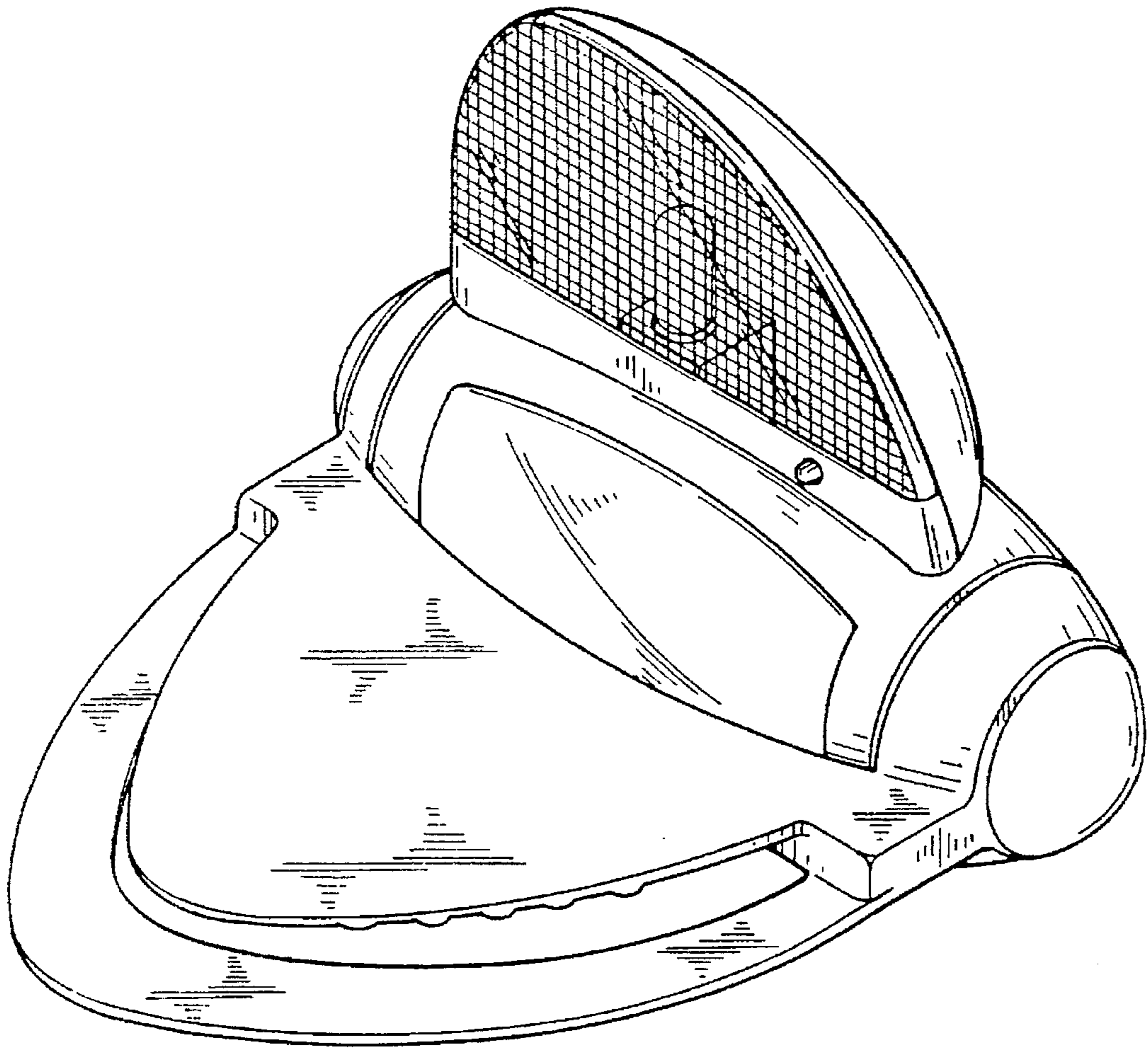


FIG. 1

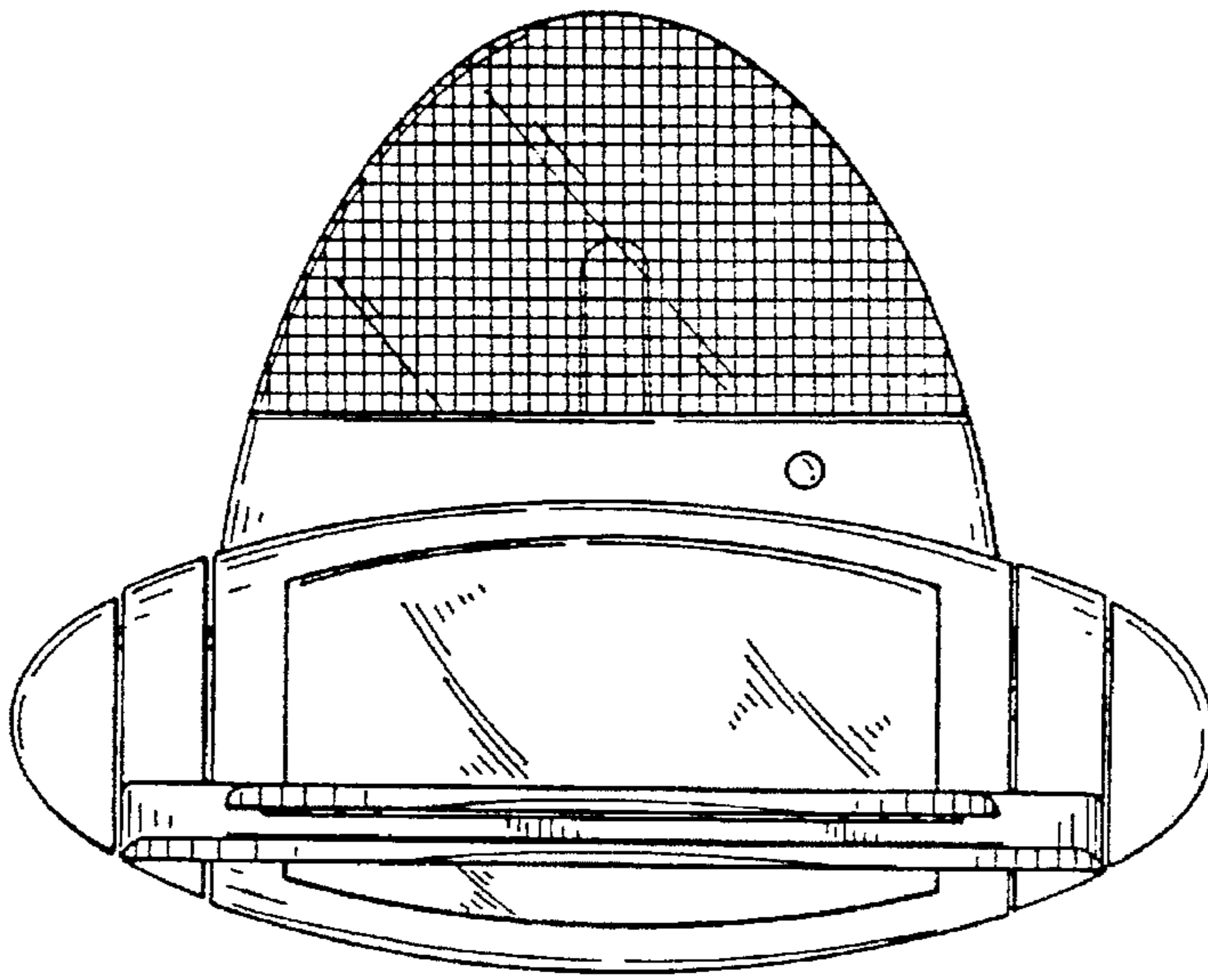


FIG. 2

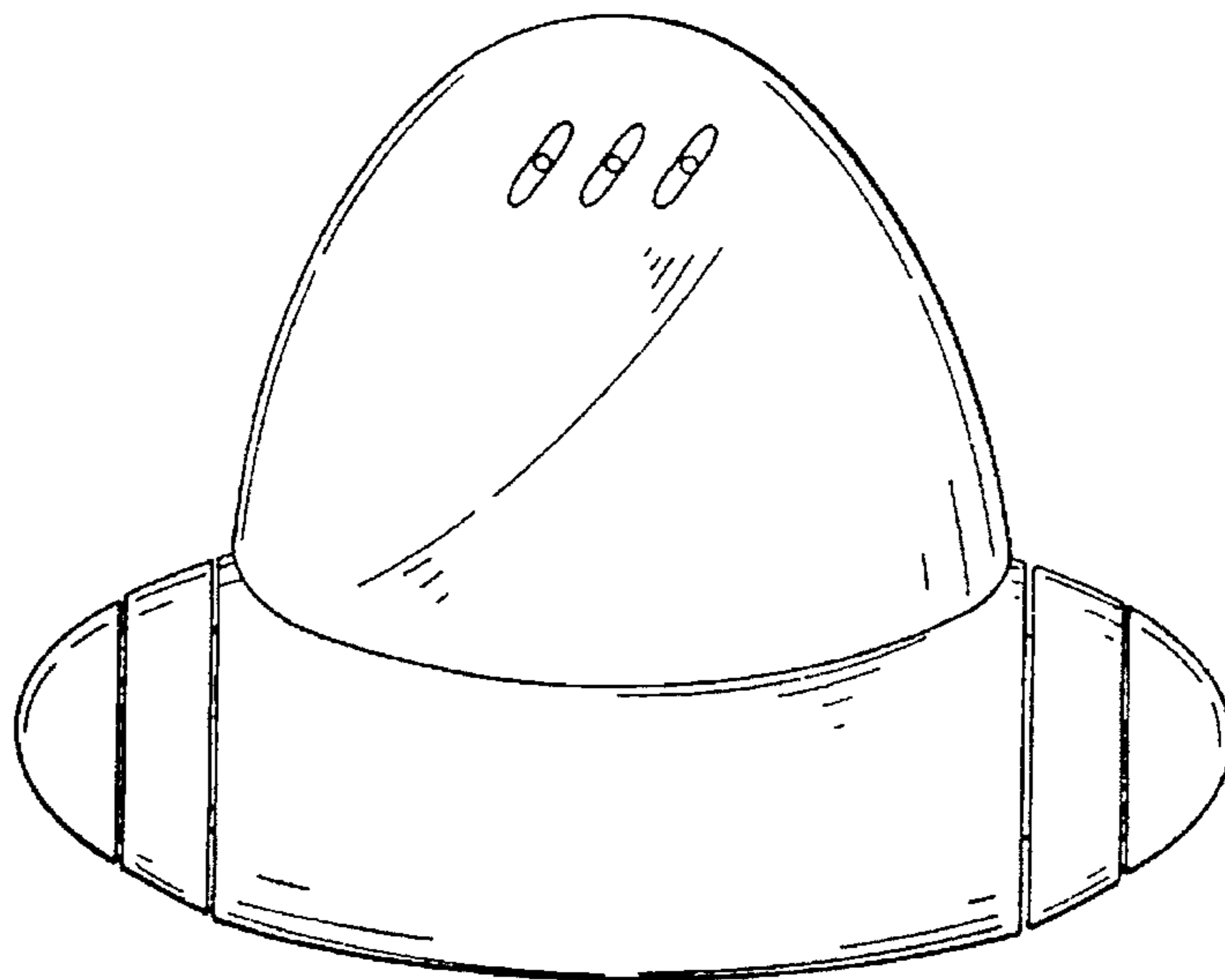


FIG. 3

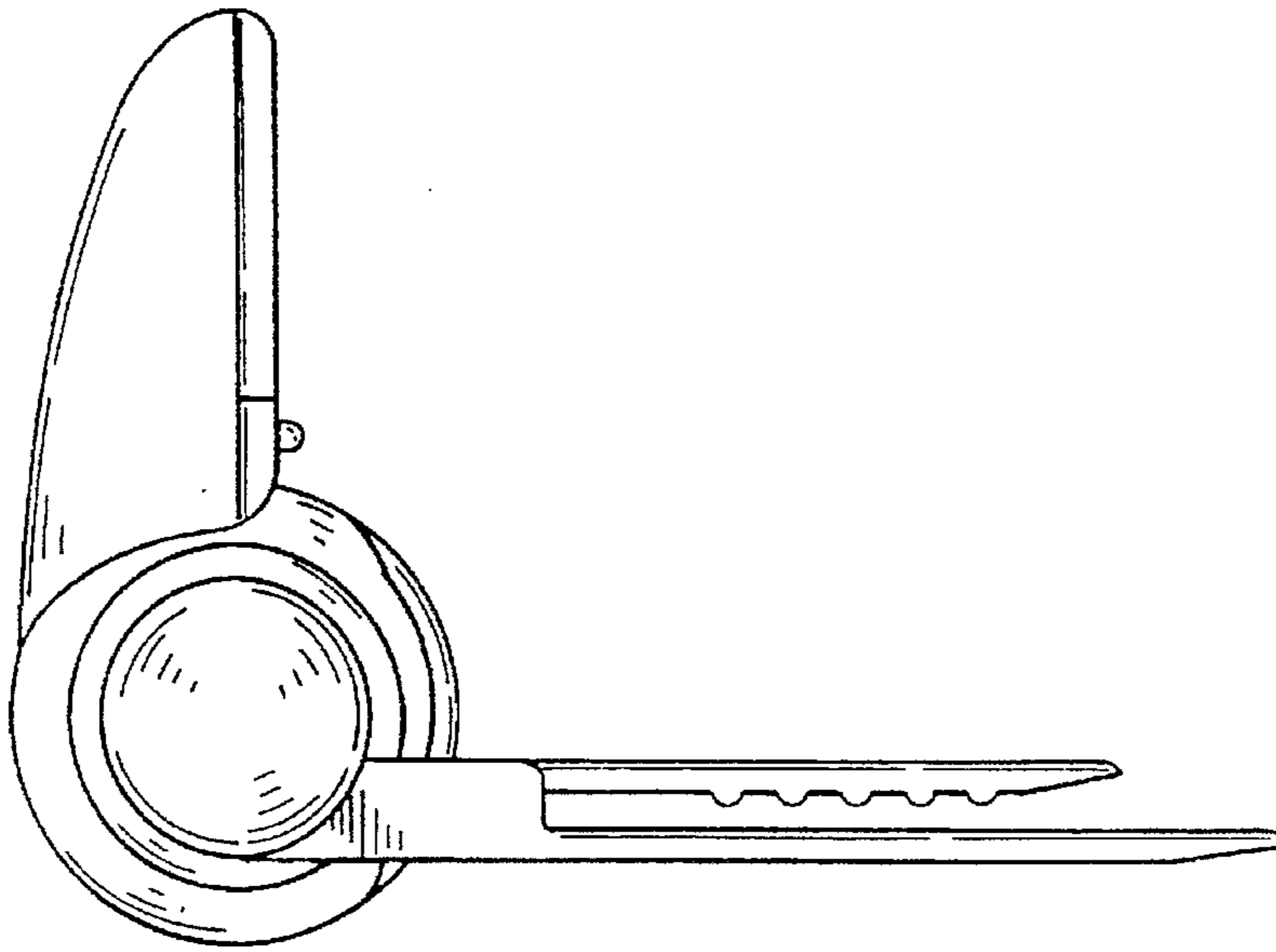


FIG. 4

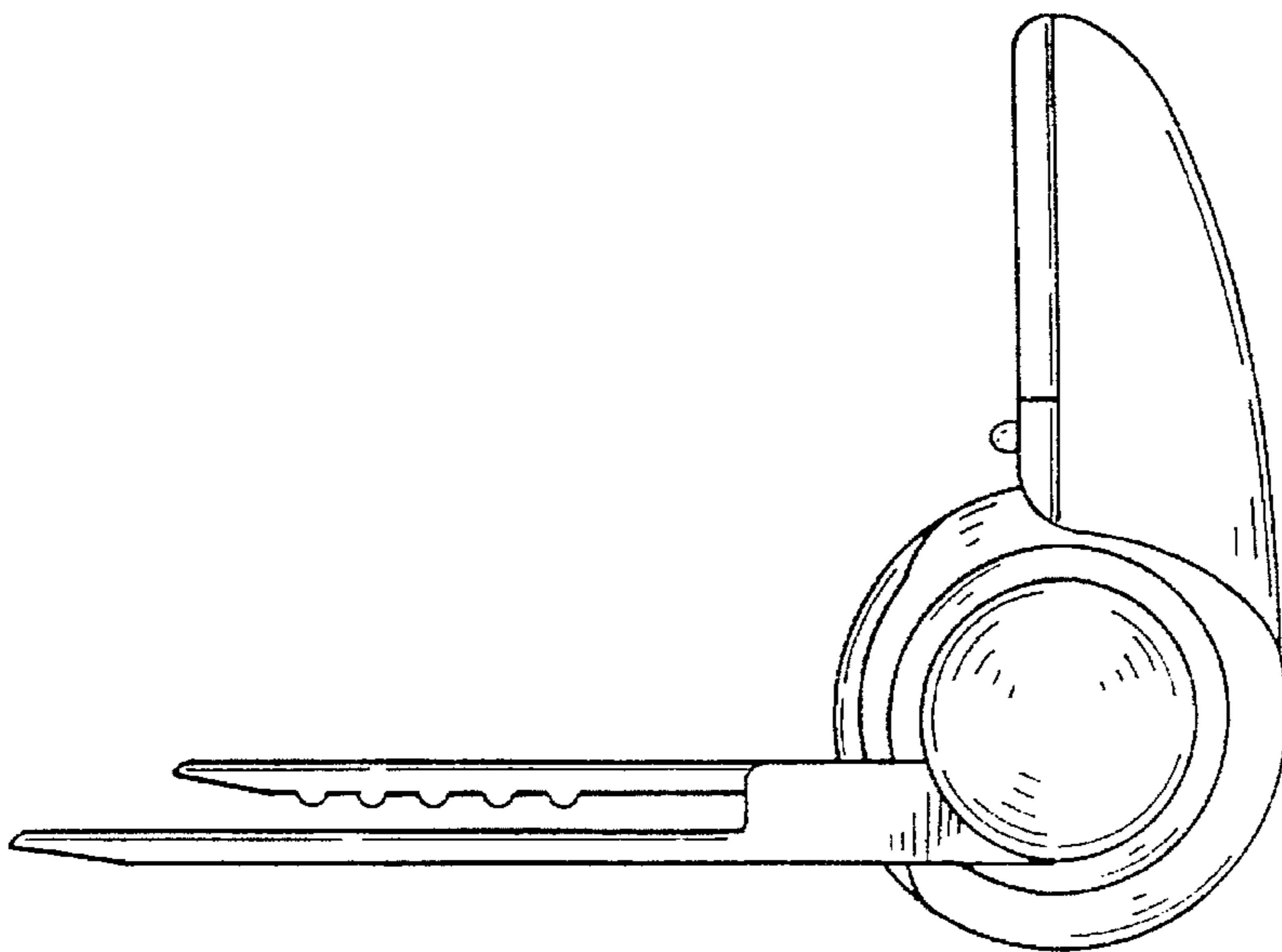


FIG. 5

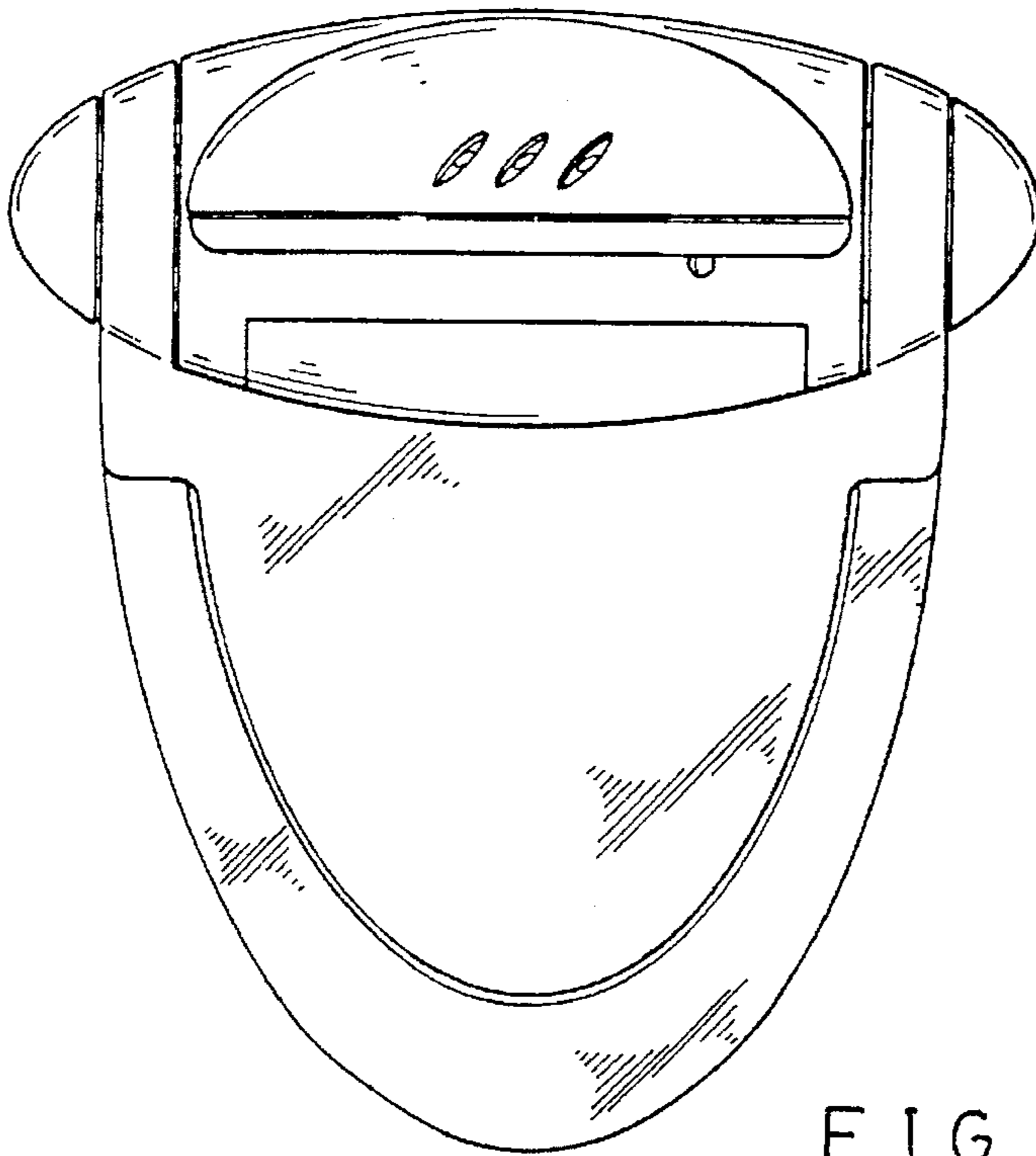


FIG. 6

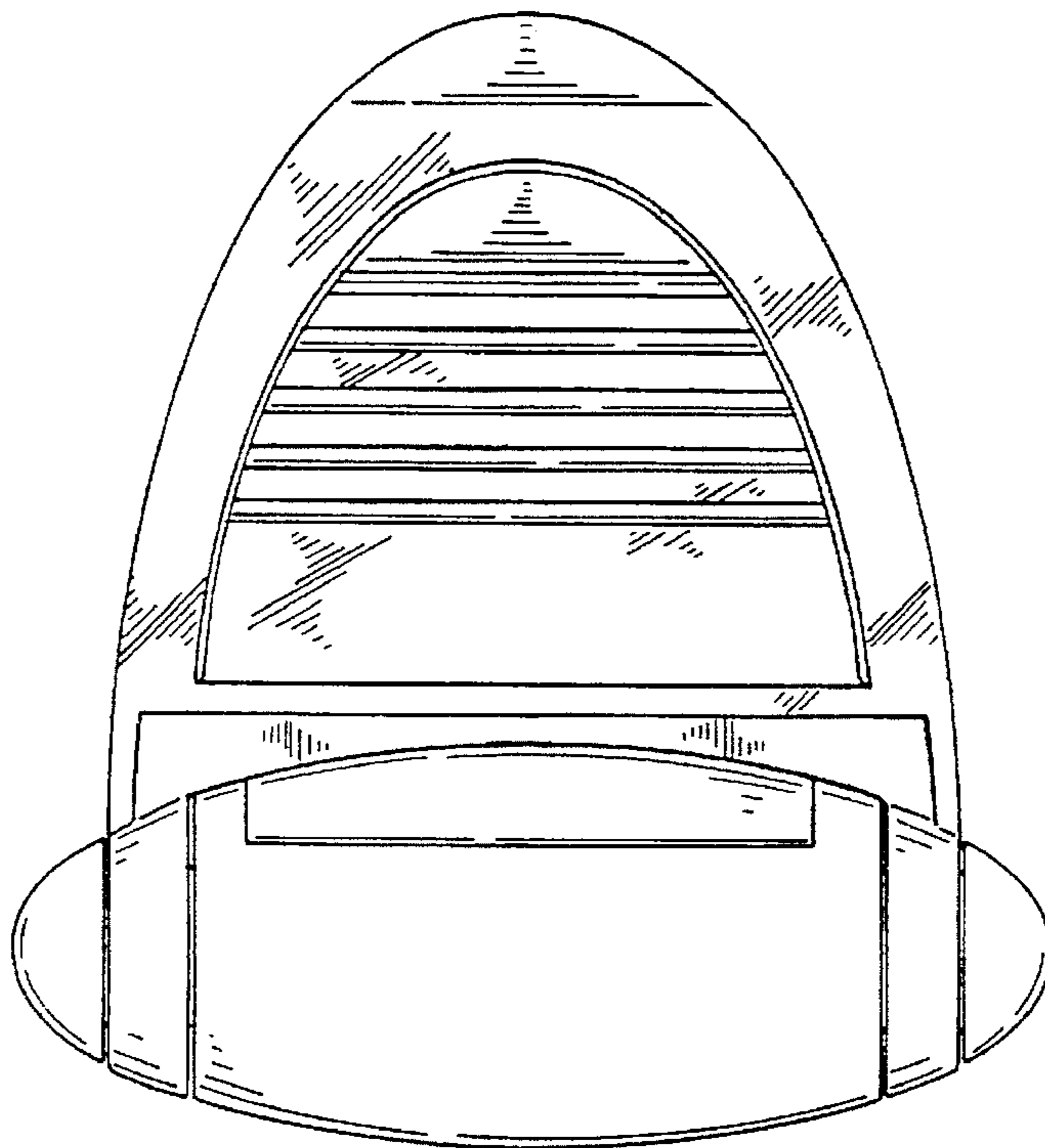


FIG. 7

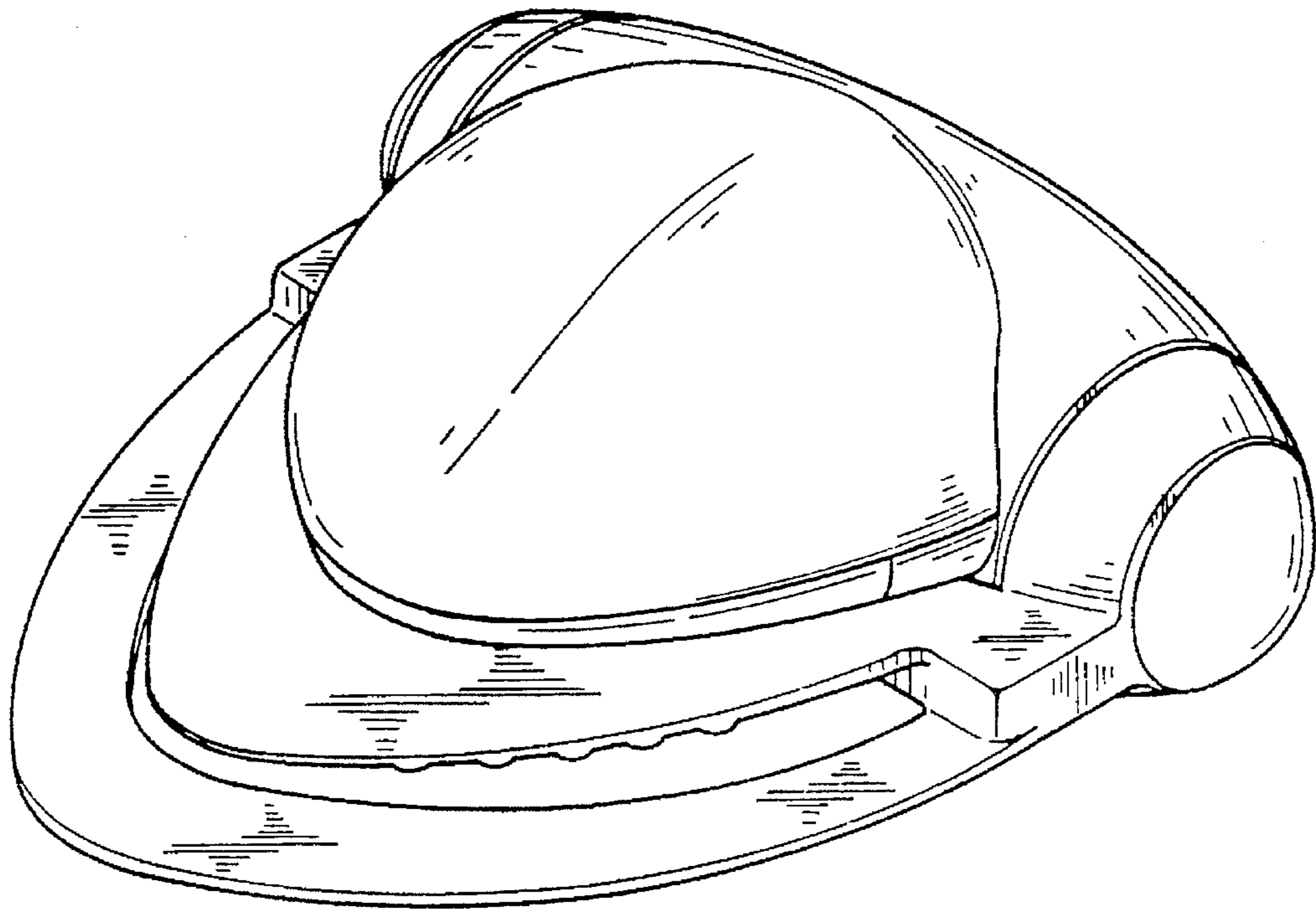


FIG. 8

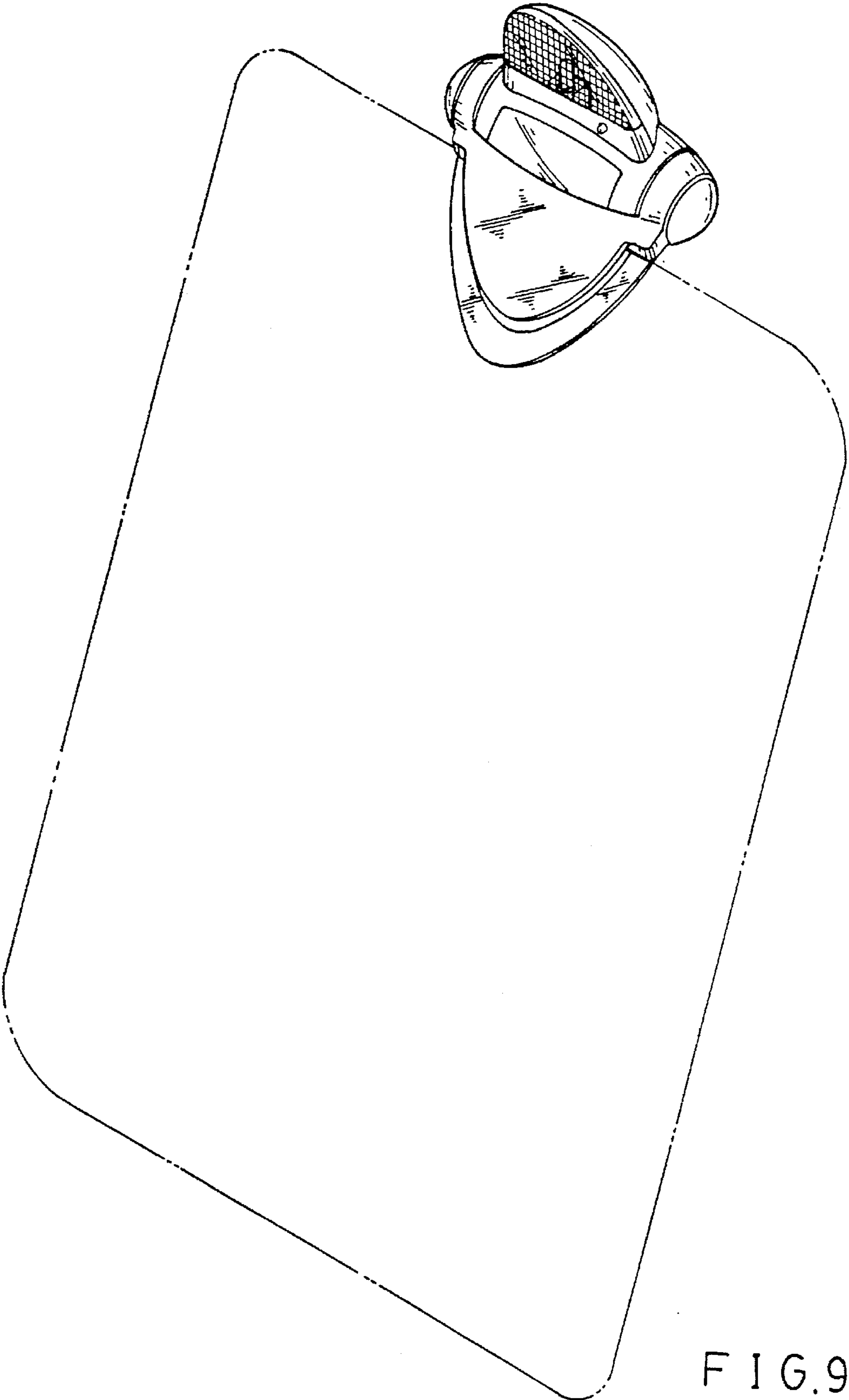


FIG. 9