



US00D381447S

# United States Patent [19]

Haberstich et al.

[11] Patent Number: **Des. 381,447**

[45] Date of Patent: **\*\*Jul. 22, 1997**

[54] **HEAD FOR A FLEXIBLE FLASHLIGHT**

[75] Inventors: **Daniel Haberstich**, Rocky Hill; **Robert Marvin**, Farmington; **David W. Kaiser**, North Haven, all of Conn.

[73] Assignee: **Black & Decker Inc.**, Newark, Del.

[\*\*] Term: **14 Years**

[21] Appl. No.: **37,590**

[22] Filed: **Apr. 17, 1995**

[51] LOC (6) Cl. .... **26-02**

[52] U.S. Cl. .... **D26/43**

[58] Field of Search ..... D26/37, 43, 44,  
D26/46, 49, 60, 62; 362/157, 158, 184,  
188, 189, 191, 198-200, 202, 362, 396

[56] **References Cited**

**U.S. PATENT DOCUMENTS**

D. 147,258	8/1947	Becker	.....	D26/43
D. 166,073	3/1952	Dunkelberger	.....	D26/43
D. 314,246	1/1991	Bache	.....	D26/62
D. 328,146	7/1992	Sinsteden	.....	D26/49
3,111,277	11/1963	Grimsley	.....	D26/43 X

**FOREIGN PATENT DOCUMENTS**

604541	7/1983	Japan	.....	D26/43
671733	2/1986	Japan	.....	D26/43
671734	2/1986	Japan	.....	D26/43

*Primary Examiner*—A. Hugo Word  
*Assistant Examiner*—Lavone Tabor  
*Attorney, Agent, or Firm*—Barry E. Deutsch

[57] **CLAIM**

The ornamental design for a head for a flexible flashlight, as shown and described.

**DESCRIPTION**

FIG. 1 is a perspective view taken from the front, right side and top of a head for a flexible flashlight showing our new design, the portion shown in phantom is illustrative of a flexible core to which my new design may be attached;

FIG. 2 is a right side elevational view thereof;

FIG. 3 is a left side elevational view thereof;

FIG. 4 is a front elevational view thereof;

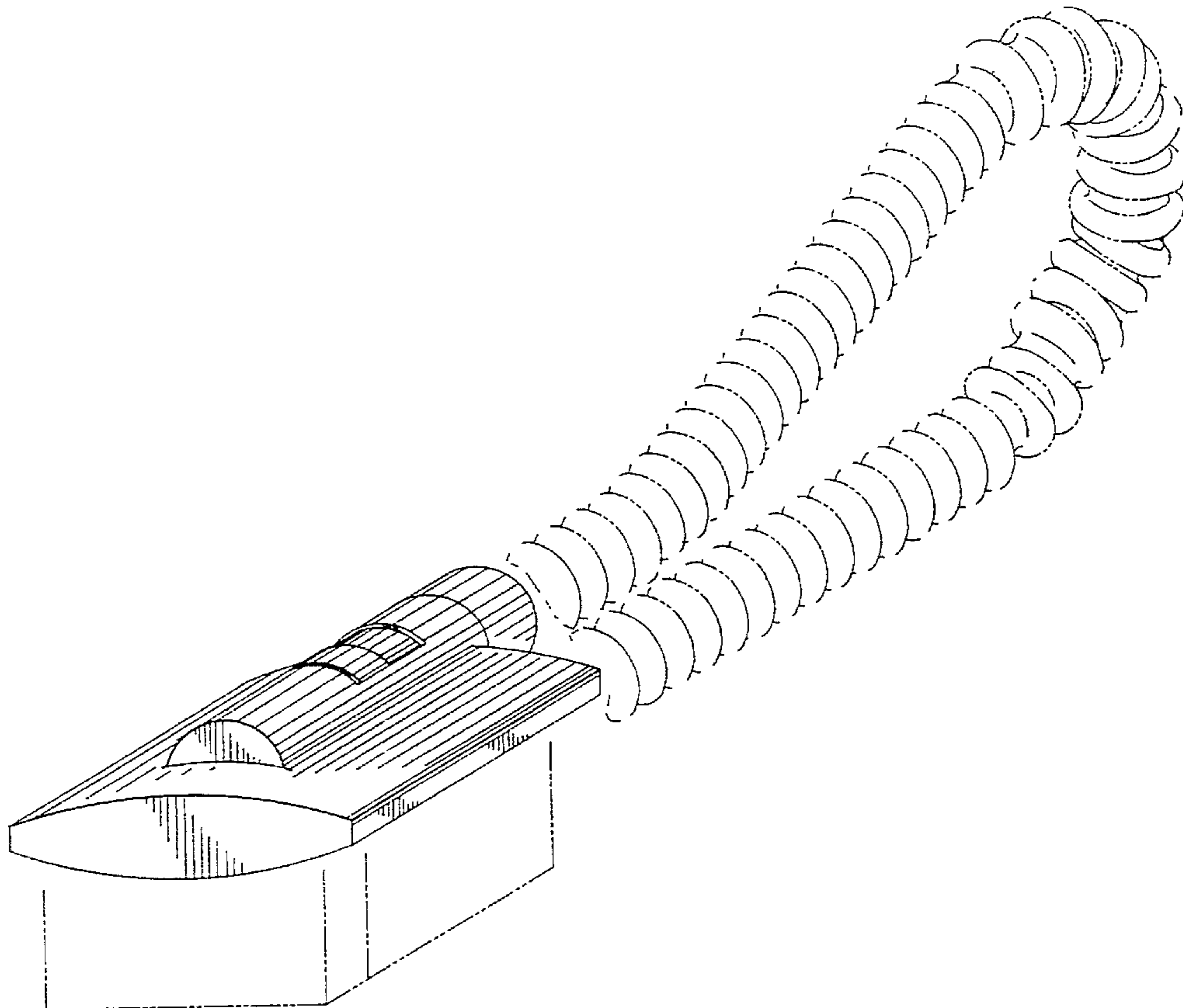
FIG. 5 is a rear elevational view thereof;

FIG. 6 is a top plan view thereof; and,

FIG. 7 is a bottom view thereof.

The broken lines are for illustrative purposes only and form no part of the claimed design.

**1 Claim, 4 Drawing Sheets**



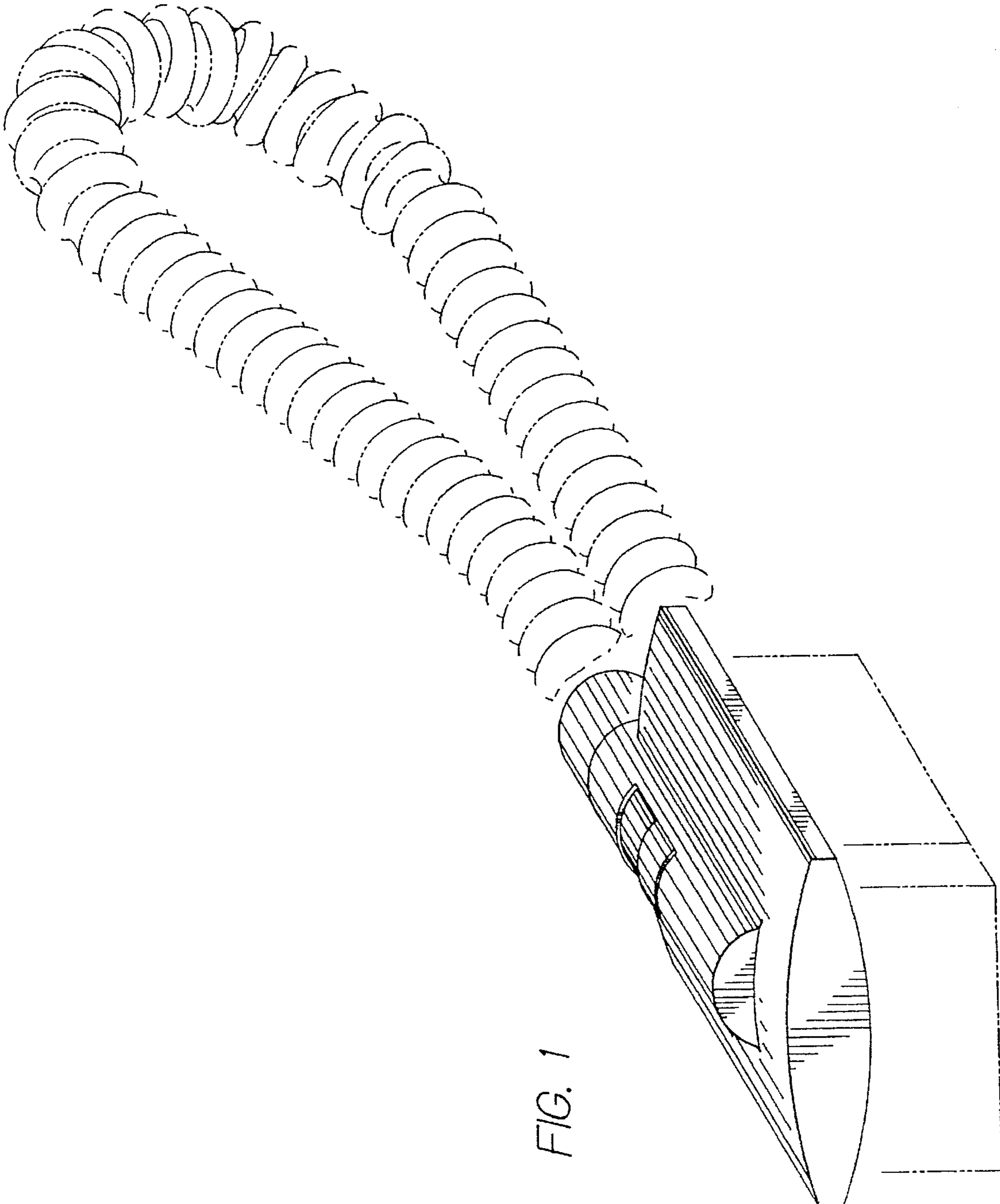


FIG. 1

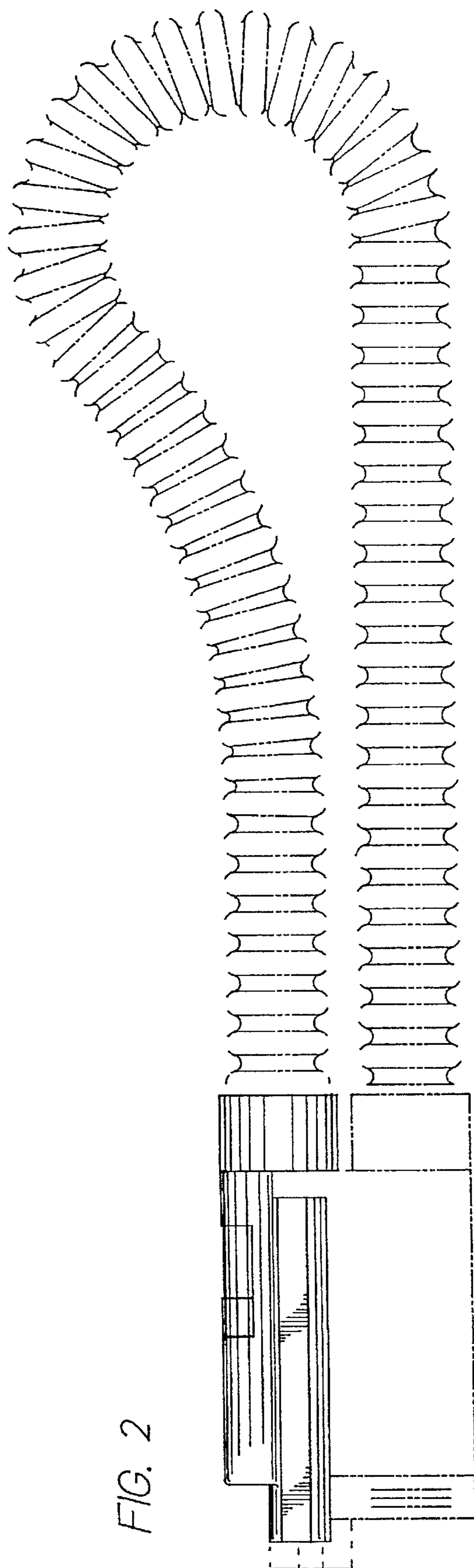


FIG. 2

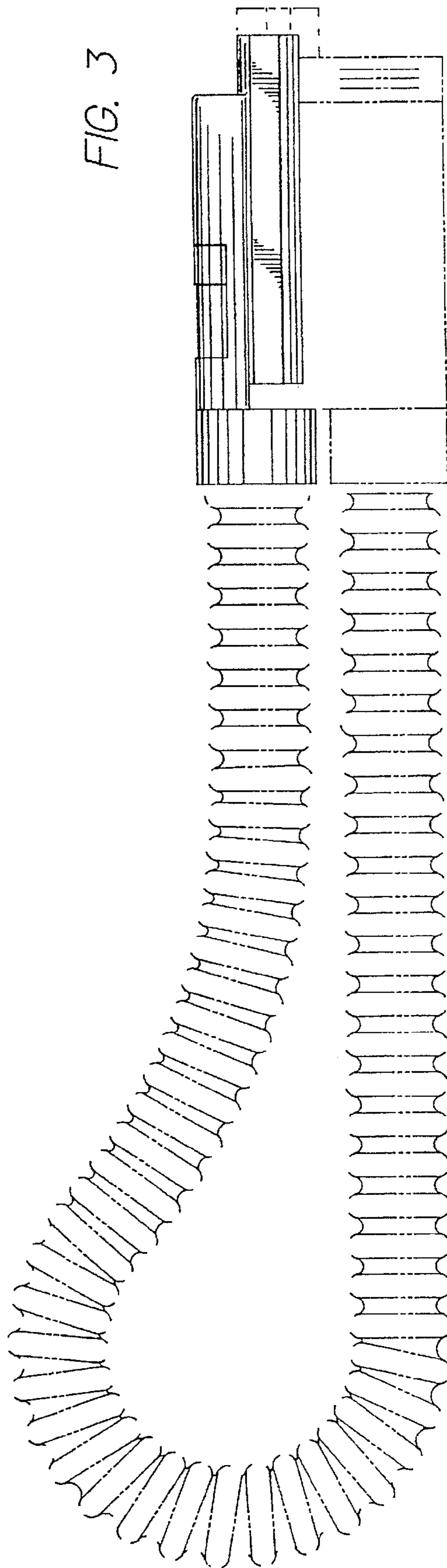


FIG. 3

FIG. 5

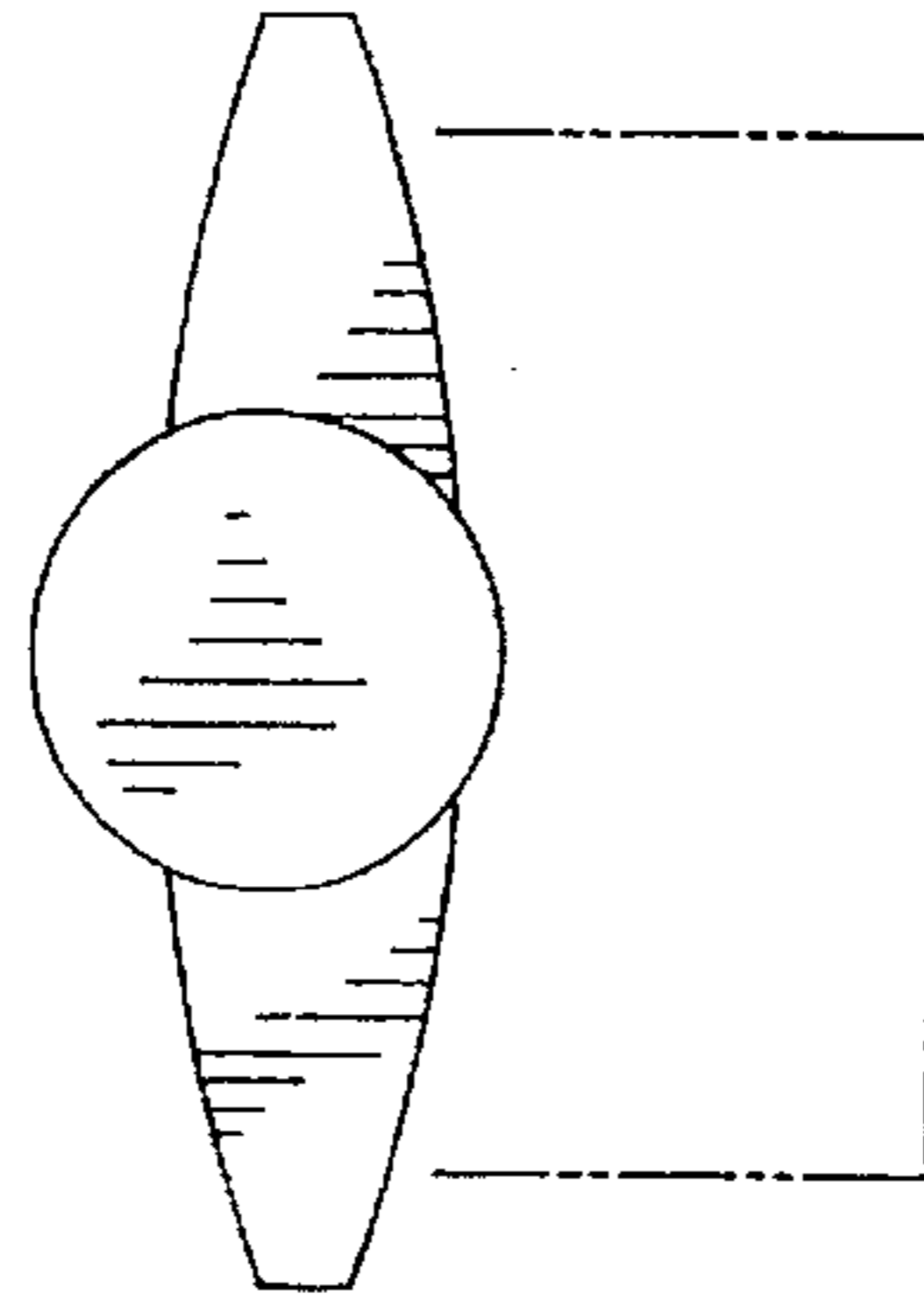


FIG. 4

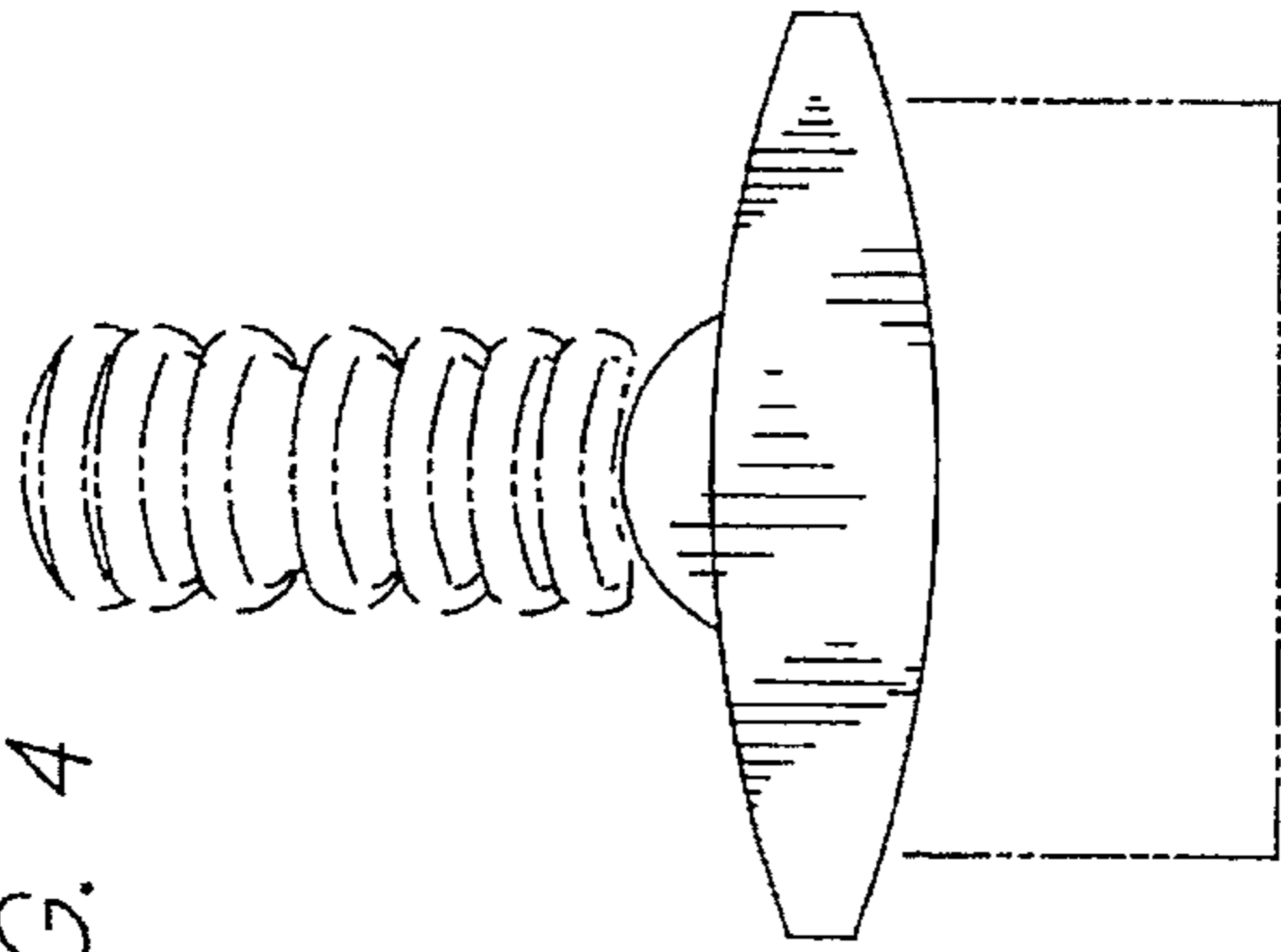
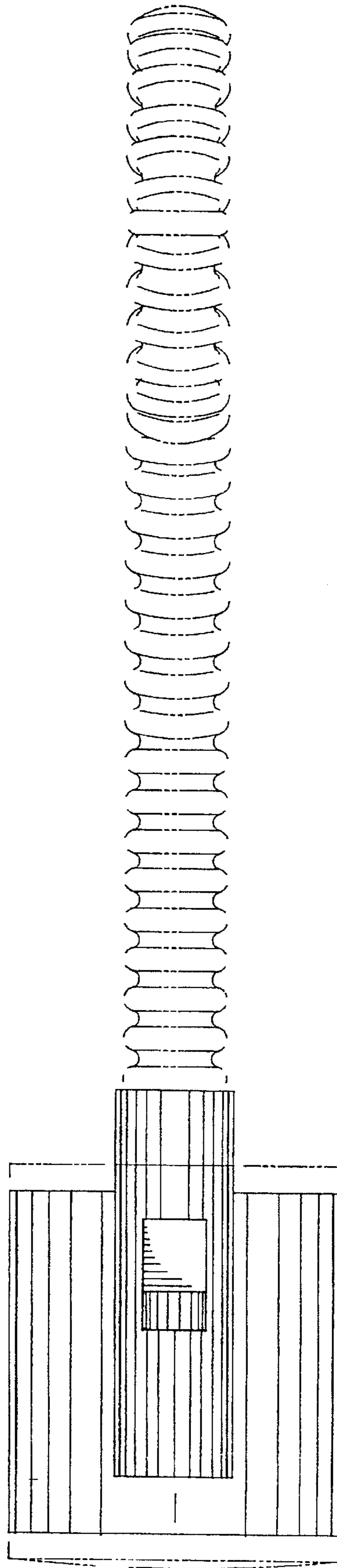


FIG. 6



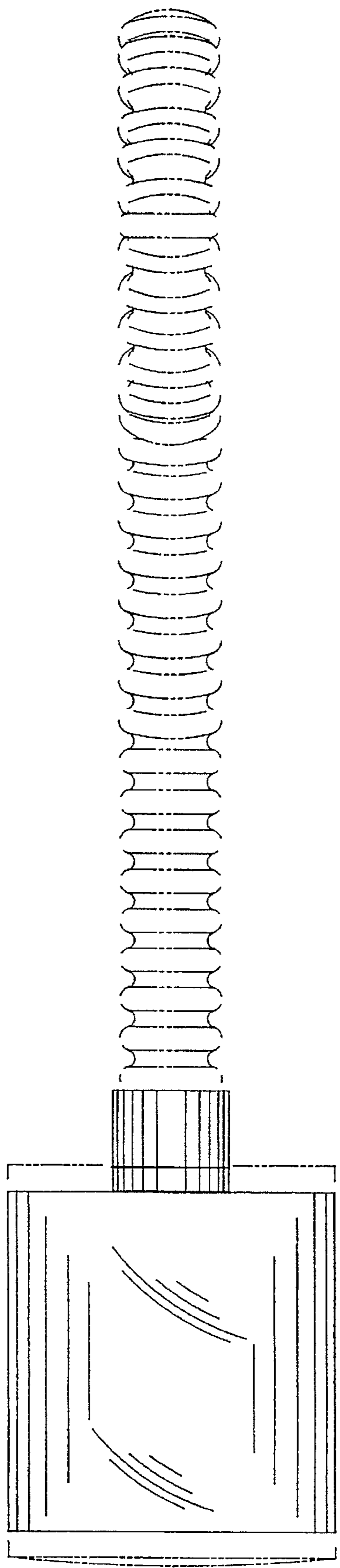


FIG. 7