



US00D381446S

United States Patent [19]
Kaiser

[11] **Patent Number: Des. 381,446**

[45] **Date of Patent: **Jul. 22, 1997**

[54] **FLEXIBLE FLASHLIGHT**

[75] Inventor: **David W. Kaiser**, North Haven, Conn.

[73] Assignee: **Black & Decker Inc.**

[**] Term: **14 Years**

[21] Appl. No.: **36,056**

[22] Filed: **Mar. 13, 1995**

[51] **LOC (6) Cl.** **26-02**

[52] **U.S. Cl.** **D26/43**

[58] **Field of Search** D26/37, 43, 44,
D26/46, 49, 60, 62; 362/157, 158, 184,
188, 191, 198, 199, 200, 202, 362, 396

[56] **References Cited**

U.S. PATENT DOCUMENTS

D. 147,258	8/1947	Becker	D26/43
D. 166,073	3/1952	Dunkelberger	D26/43
D. 314,246	1/1991	Bache	D26/62
D. 328,146	7/1992	Sinsteden	D26/49
3,111,277	11/1963	Grimsley	D26/43 X

FOREIGN PATENT DOCUMENTS

604541	7/1983	Japan	D26/43
671733	2/1986	Japan	D26/43
671734	2/1986	Japan	D26/43

Primary Examiner—A. Hugo Word
Assistant Examiner—Lavone Tabor
Attorney, Agent, or Firm—Barry E. Deutsch

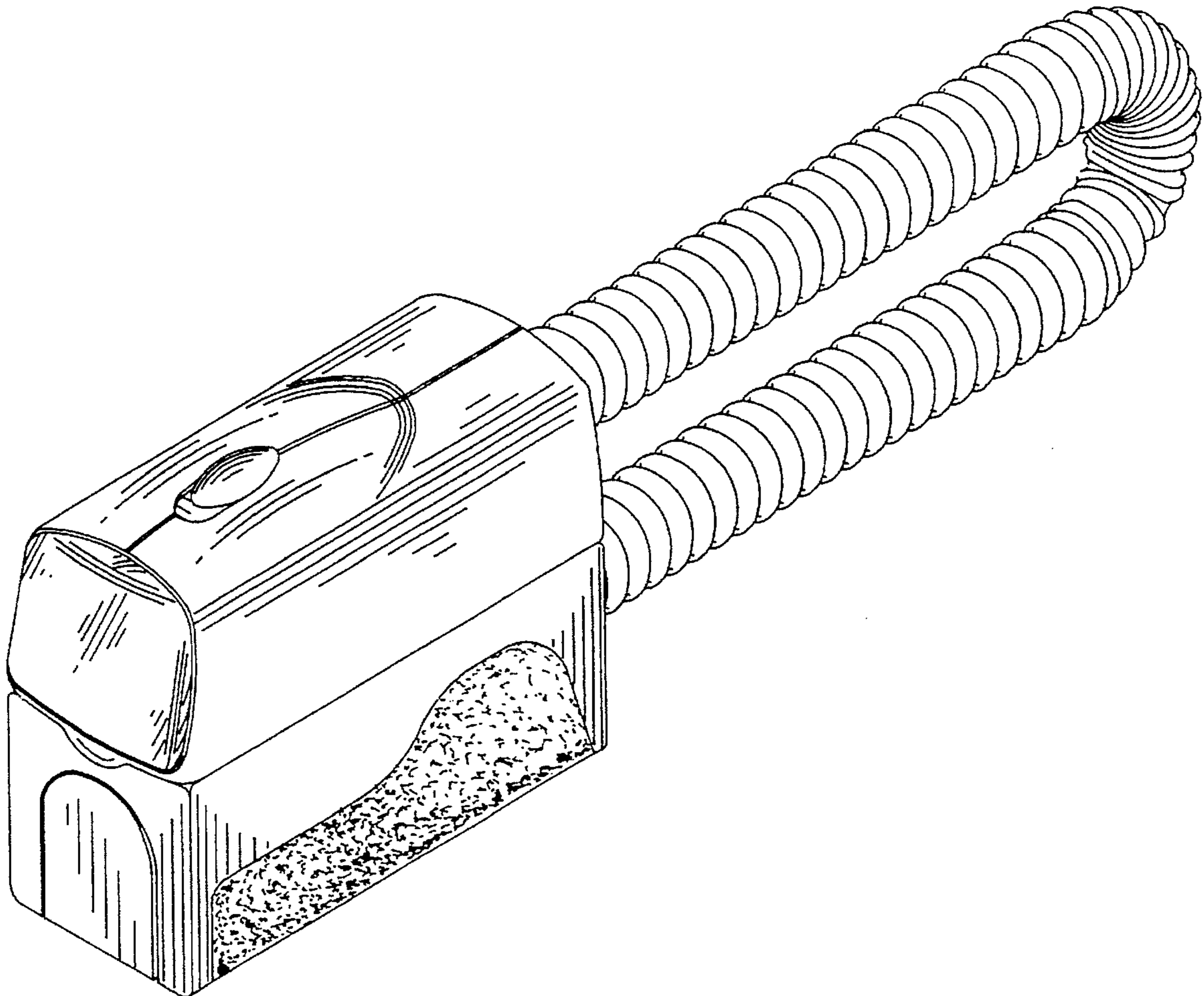
[57] **CLAIM**

The ornamental design for a flexible flashlight, as shown and described.

DESCRIPTION

FIG. 1 is a perspective view taken from the front, top, and right side of a flexible flashlight illustrating my new design; FIG. 2 is a right side elevational view thereof; FIG. 3 is a left side elevational view thereof; FIG. 4 is a front elevational view thereof; FIG. 5 is a rear elevational view thereof; FIG. 6 is a top plan view thereof; and, FIG. 7 is a bottom plan view thereof.

1 Claim, 3 Drawing Sheets



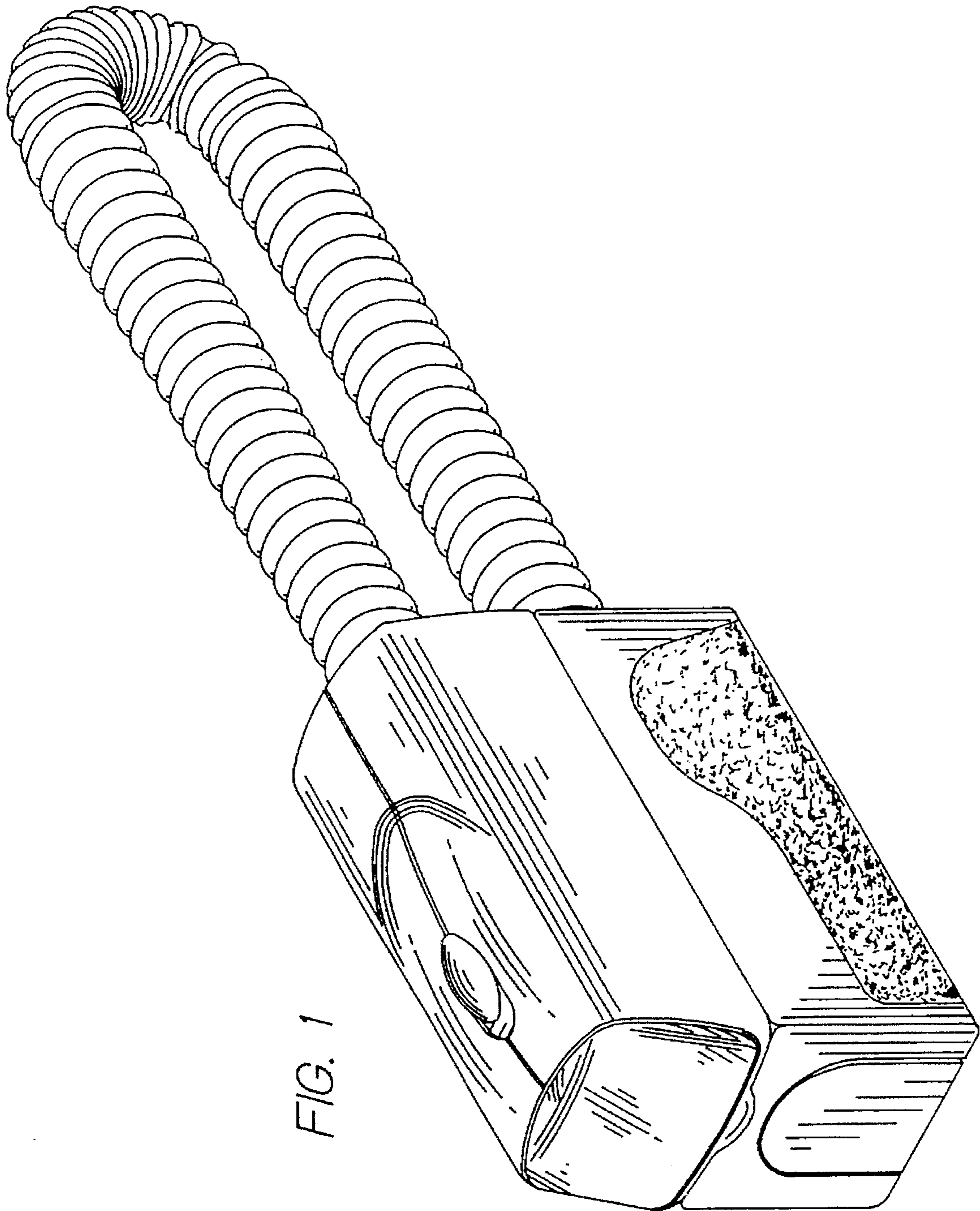


FIG. 1

FIG. 2

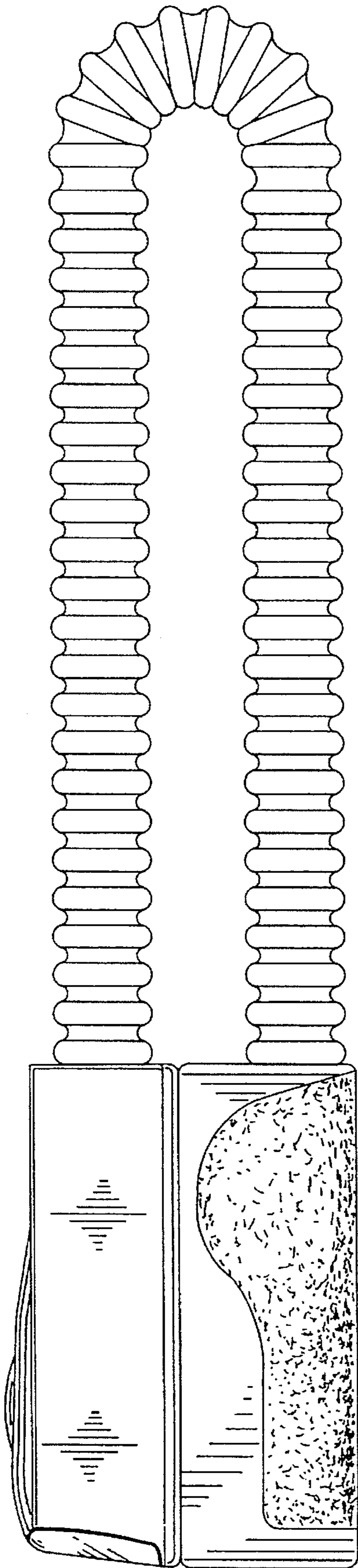
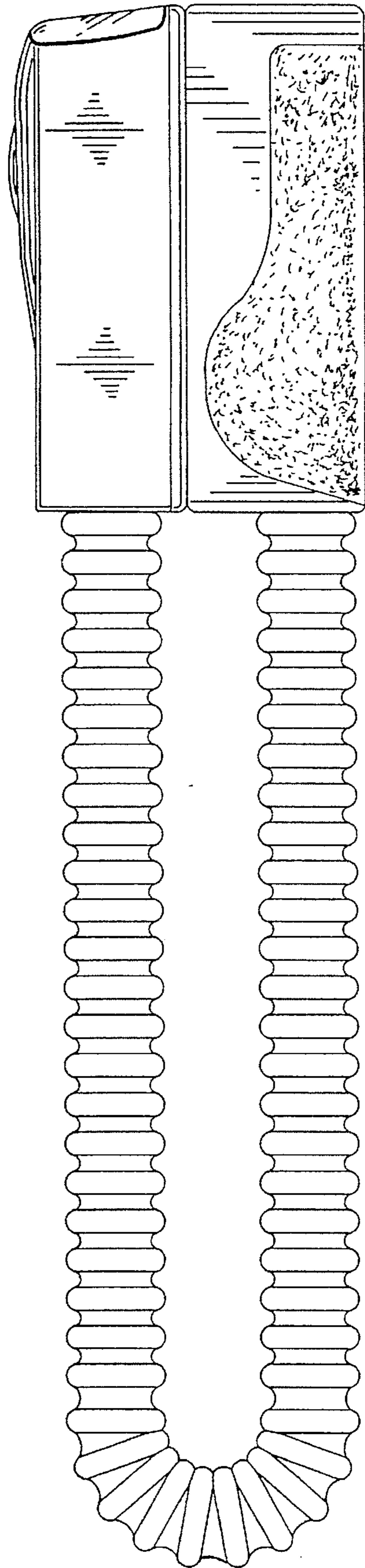


FIG. 3



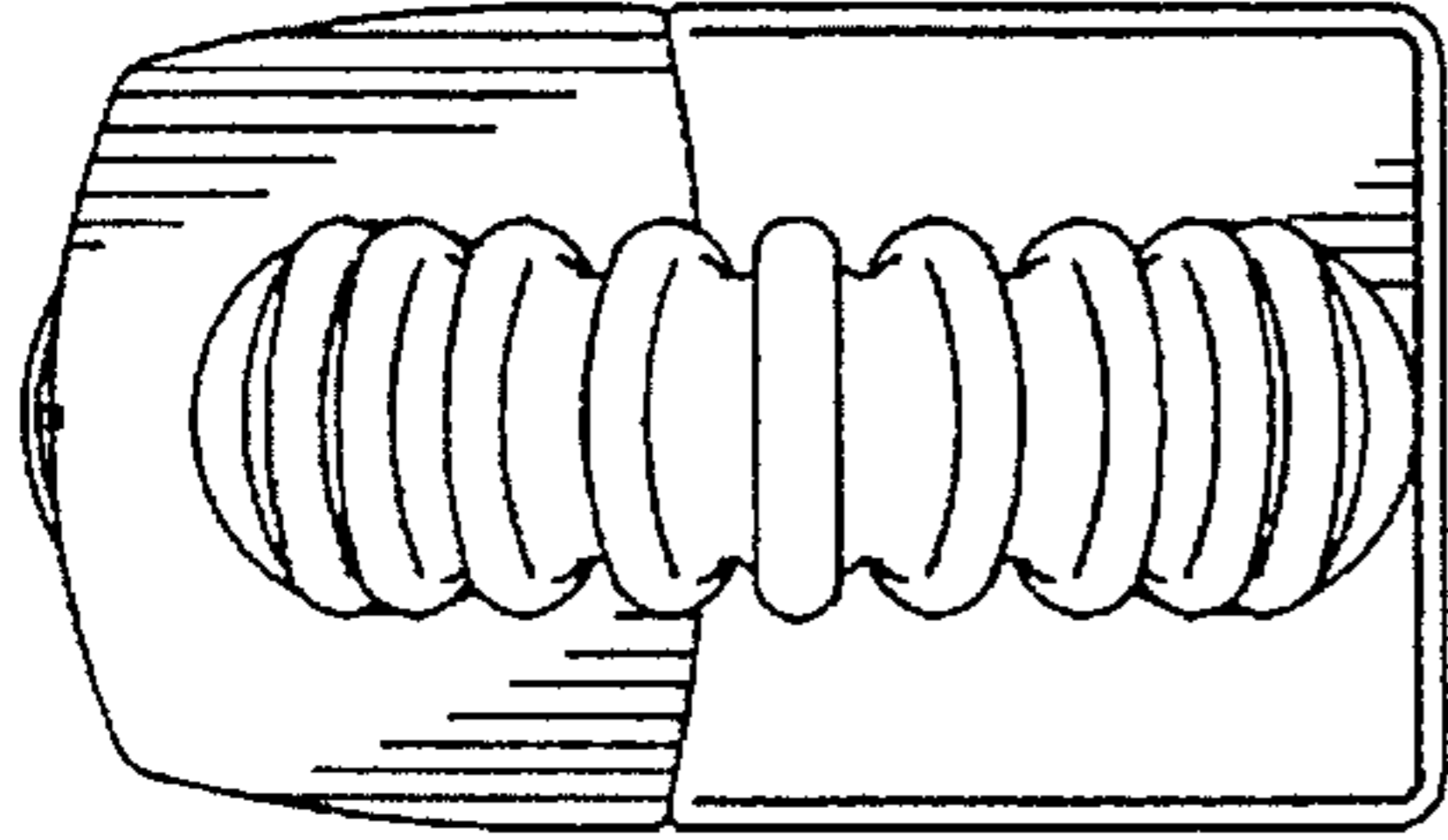


FIG. 5

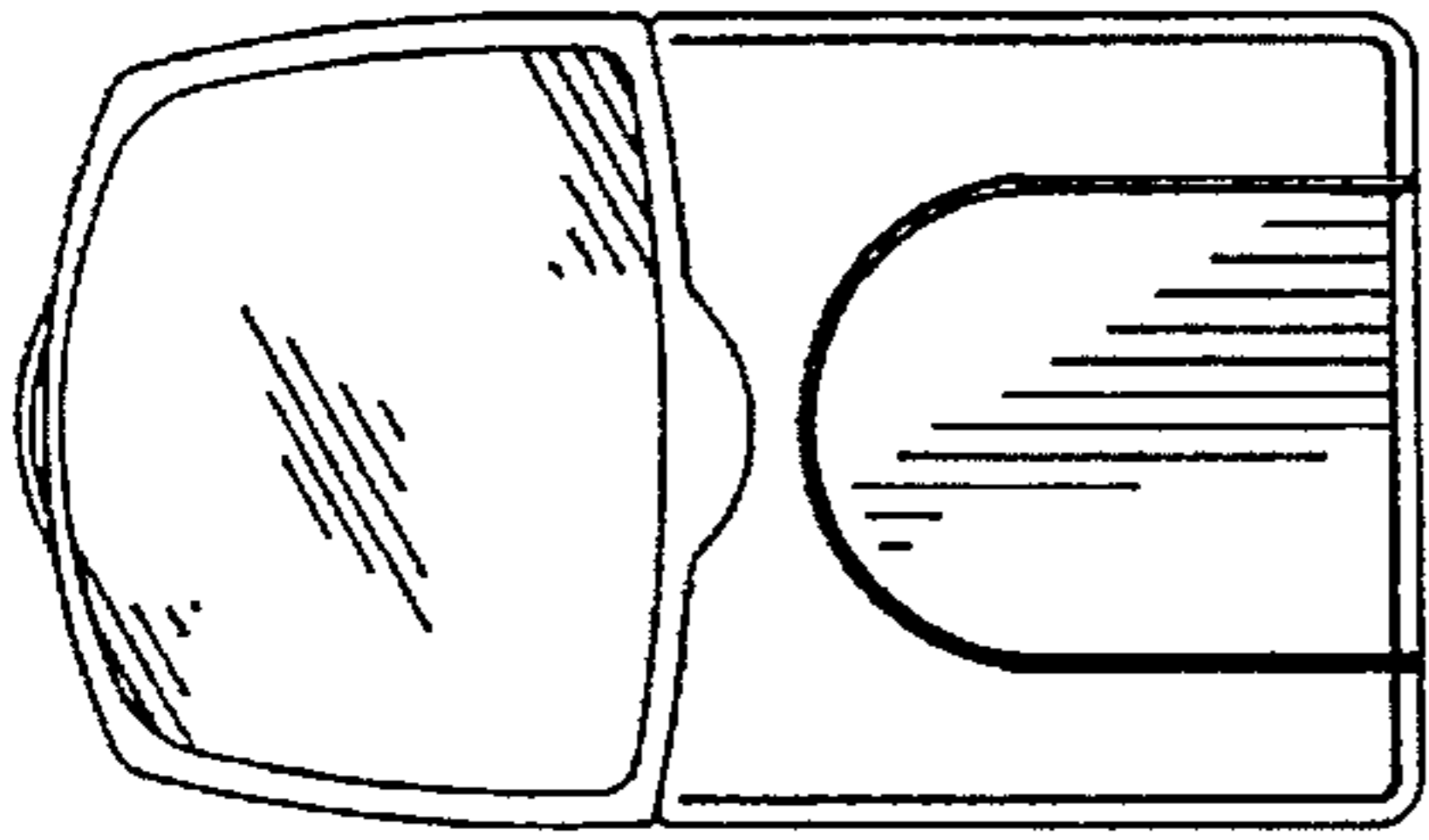


FIG. 4

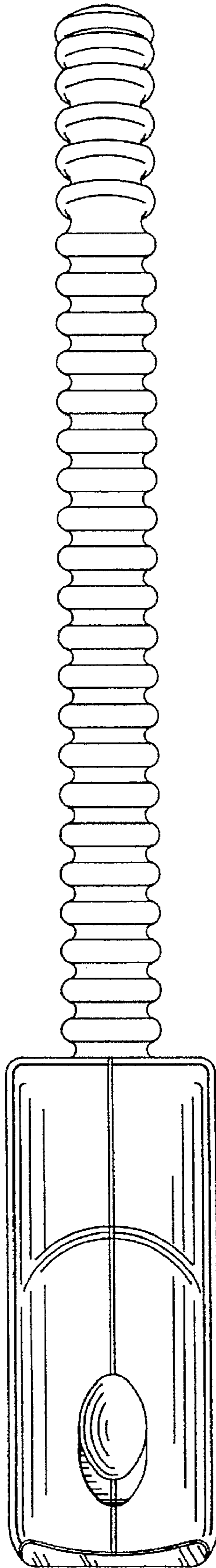


FIG. 6

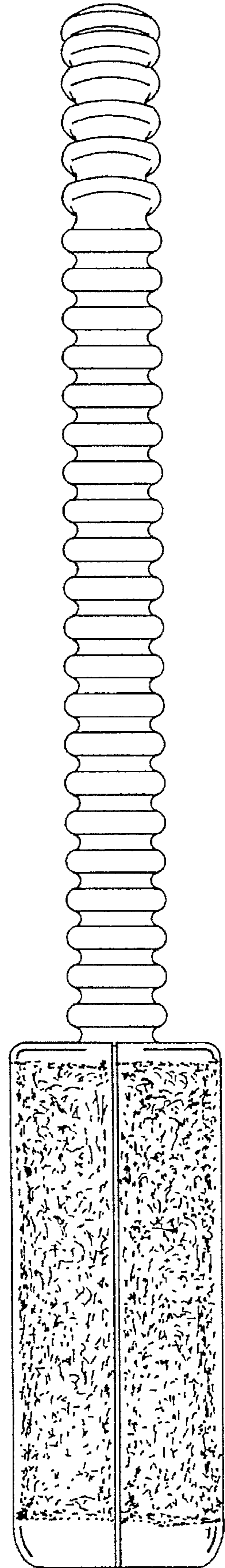


FIG. 7