



US00D381445S

United States Patent [19] Linnane

[11] Patent Number: **Des. 381,445**

[45] Date of Patent: ****Jul. 22, 1997**

[54] **LIGHT**

[76] Inventor: **Jennifer Linnane**, 1661 Washington St.
- Ste. 202, Boston, Mass. 02118

[**] Term: **14 Years**

[21] Appl. No.: **35,376**

[22] Filed: **Feb. 27, 1995**

[51] **LOC (6) Cl.** **26-02**

[52] **U.S. Cl.** **D26/43**

[58] **Field of Search** D26/37, 43, 44,
D26/46, 49, 60, 62; 362/157, 158, 184,
188, 189, 191, 198, 199, 200, 202, 362,
396

[56] **References Cited**

U.S. PATENT DOCUMENTS

D. 147,258	8/1947	Becker	D26/43
D. 166,073	3/1952	Dunkelberger	D26/43
D. 283,645	4/1986	Tanaka	D26/43
D. 314,246	1/1991	Bache	D26/62

D. 328,146	7/1992	Sinsteden	D26/49
3,111,277	11/1963	Grimsley	D26/63 X

FOREIGN PATENT DOCUMENTS

685937	6/1986	Japan	D26/43
--------	--------	-------	-------	--------

Primary Examiner—A. Hugo Word
Assistant Examiner—Lavone D. Tabor

[57] **CLAIM**

The ornamental design for a light, as shown and described.

DESCRIPTION

FIG. 1 is a perspective view of a light taken from the front, right, and top thereof illustrating my new design; FIG. 2 is a right side elevational view thereof; FIG. 3 is a left side elevational view thereof; FIG. 4 is a rear elevational view thereof; FIG. 5 is a front elevational view thereof; FIG. 6 is a top plan view thereof; and, FIG. 7 is a bottom plan view thereof.

1 Claim, 3 Drawing Sheets

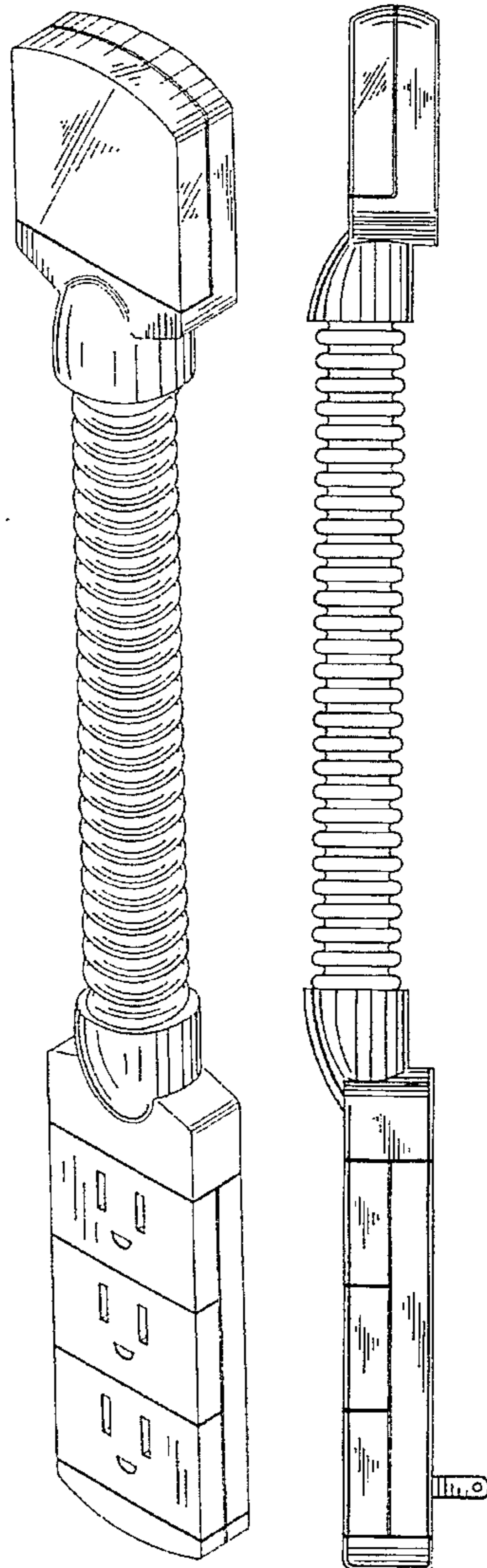


FIG. 1

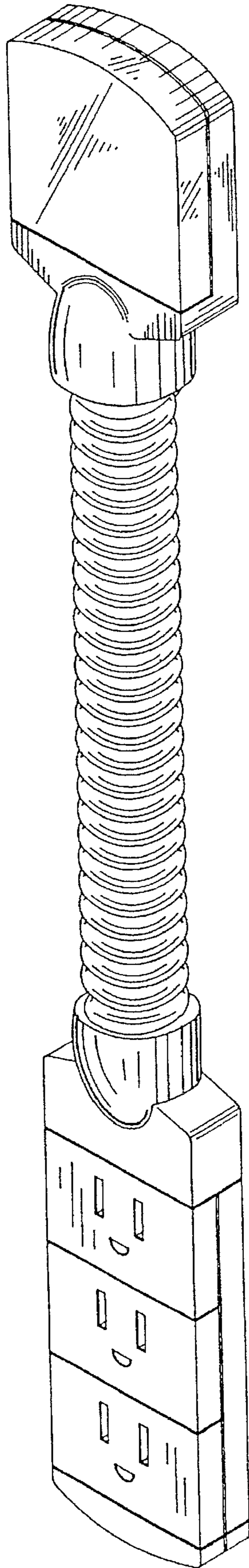


FIG. 2

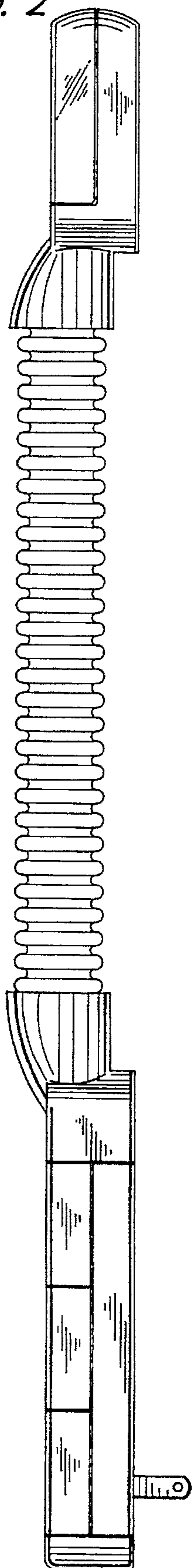


FIG. 3

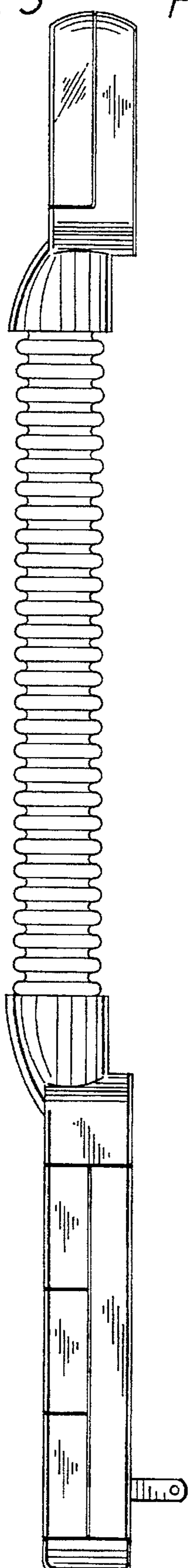


FIG. 4

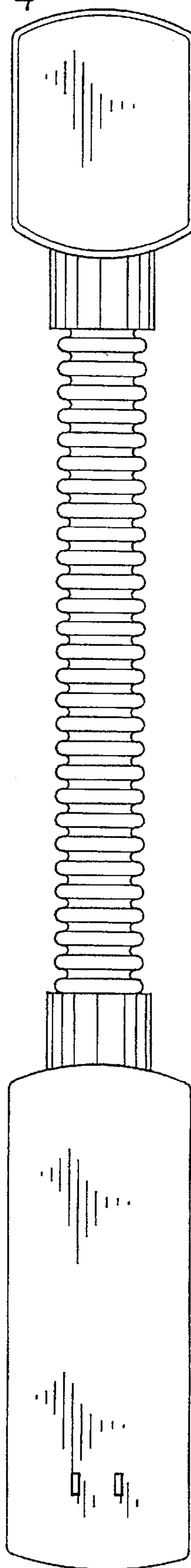


FIG. 5

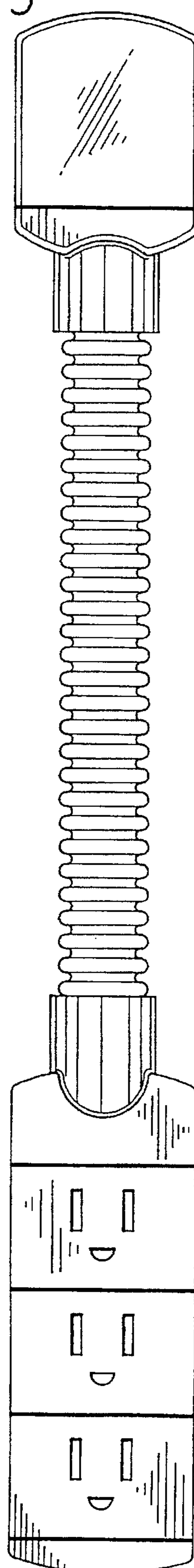


FIG. 6

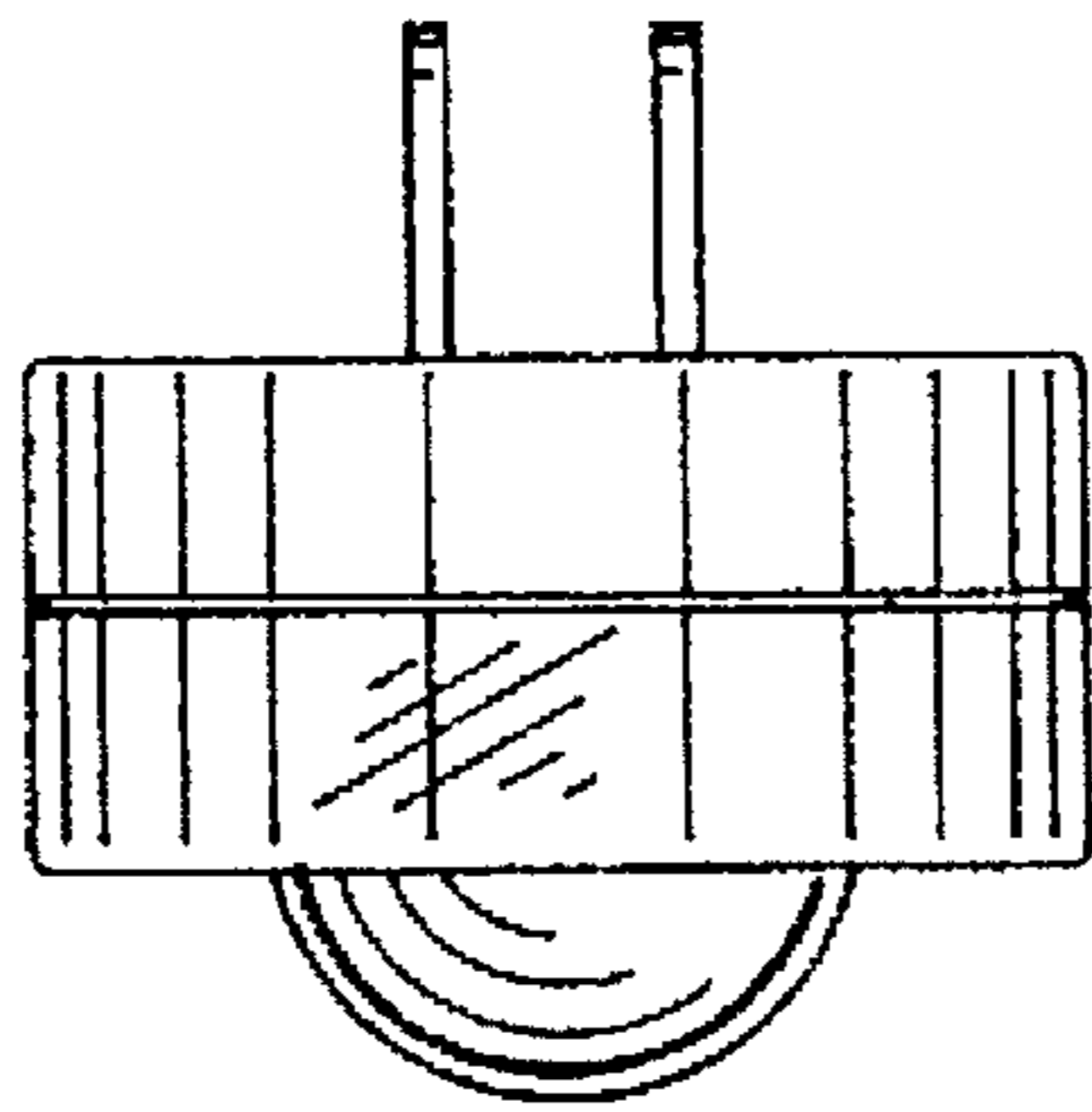


FIG. 7

