



US00D381439S

# United States Patent [19]

Davies et al.

[11] Patent Number: **Des. 381,439**

[45] Date of Patent: **\*\*Jul. 22, 1997**

[54] **TRACK PROFILE**

4,912,807 4/1990 Futch et al. .... 49/404  
4,991,257 2/1991 Evteach ..... 49/409

[75] Inventors: **John Robert Davies; Sean James Davies**, both of Vaughan, Canada

*Primary Examiner*—Doris Clark  
*Attorney, Agent, or Firm*—Neil H. Hughes; Ivor M. Hughes; Marcelo K. Sarkis

[73] Assignee: **420820 Ontario Limited**, Vaughan, Canada

[57] **CLAIM**

[\*\*] Term: **14 Years**

The ornamental design for a track profile, as shown and described.

[21] Appl. No.: **46,154**

**DESCRIPTION**

[22] Filed: **Nov. 8, 1995**

[51] LOC (6) Cl. .... **25-01**

[52] U.S. Cl. .... **D25/164; D8/377**

[58] Field of Search ..... D25/164, 119;  
D8/377; 16/DIG. 20; 49/404, 407, 409,  
410, 413, 423, 434

FIG. 1 is a perspective view of the track profile;  
FIG. 2 is an end view of the track profile;  
FIG. 3 is a top view of the track profile;  
FIG. 4 is a left side view of the track profile as illustrated in FIG. 1;  
FIG. 5 is a bottom view of the track profile;  
FIG. 6 is a right side view of the track profile as illustrated in FIG. 1; and,  
FIG. 7 is a perspective view of a second embodiment of the track profile.

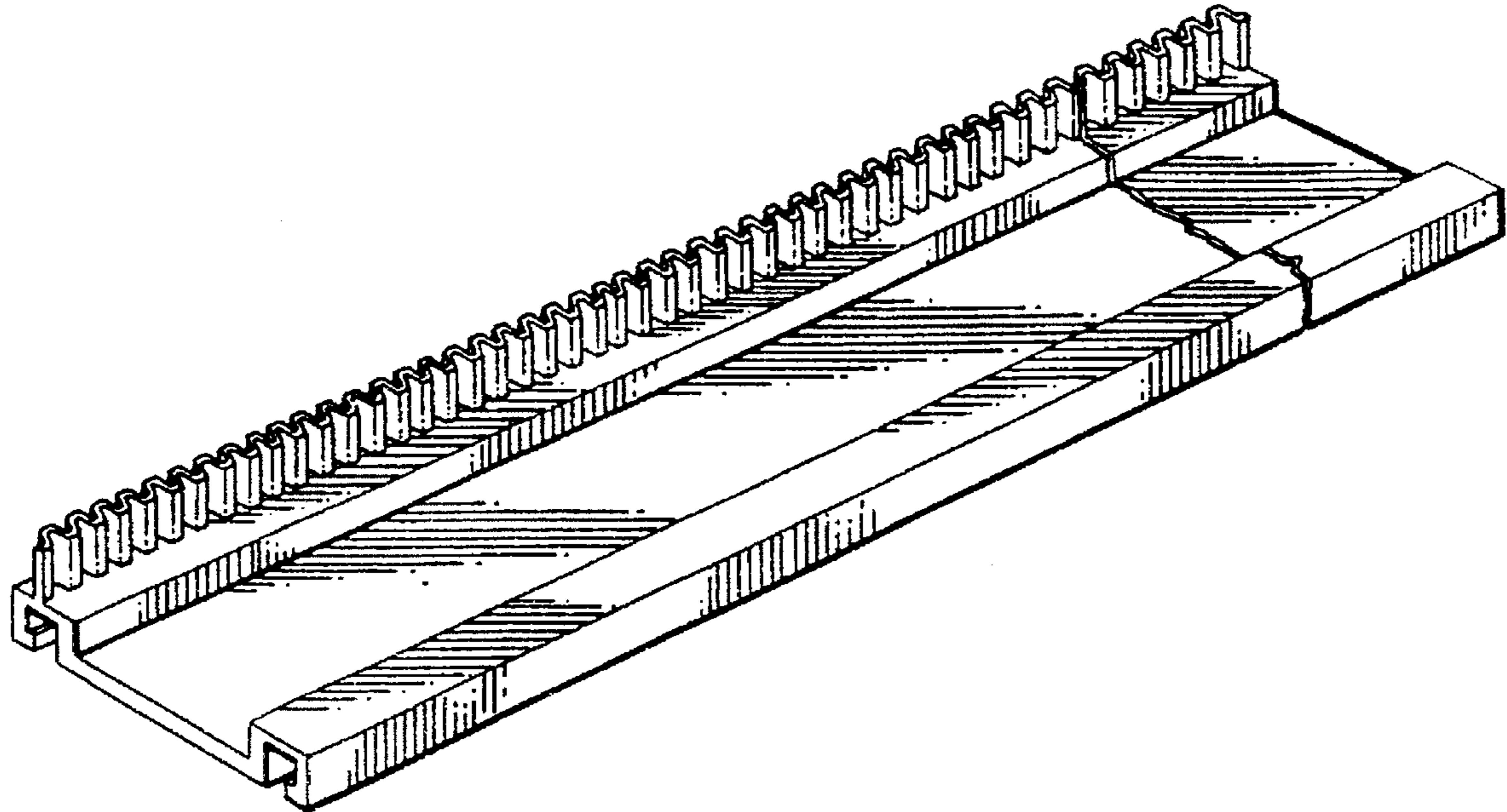
The track profile is broken away to indicate indeterminate length.

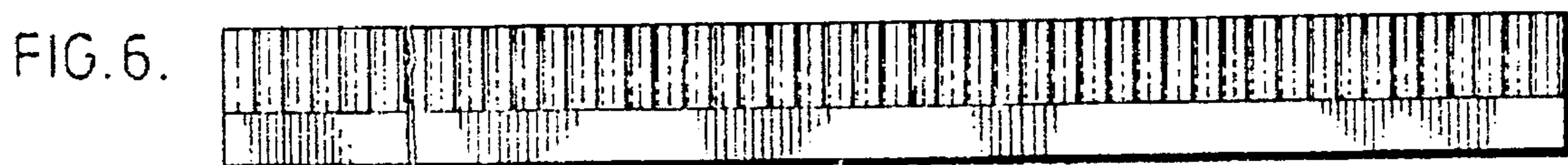
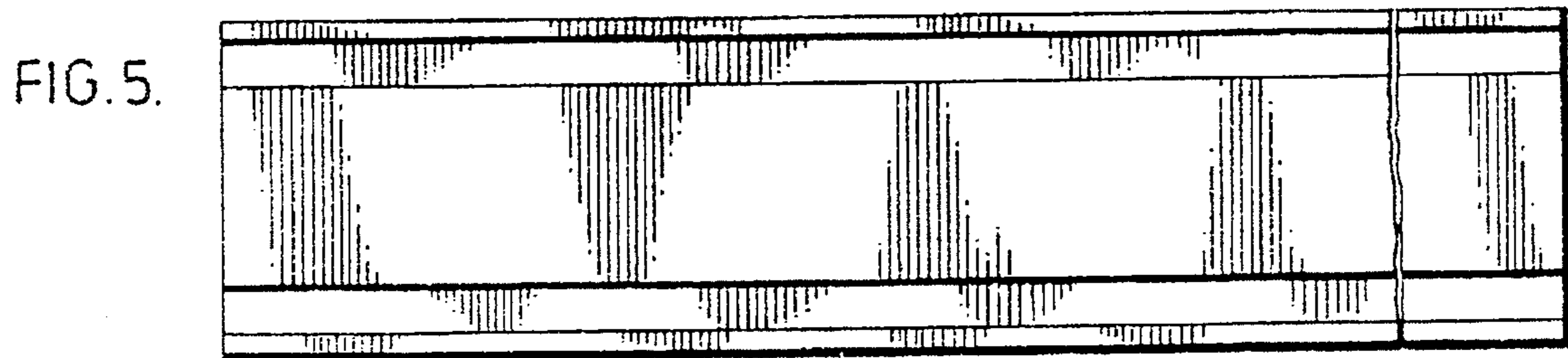
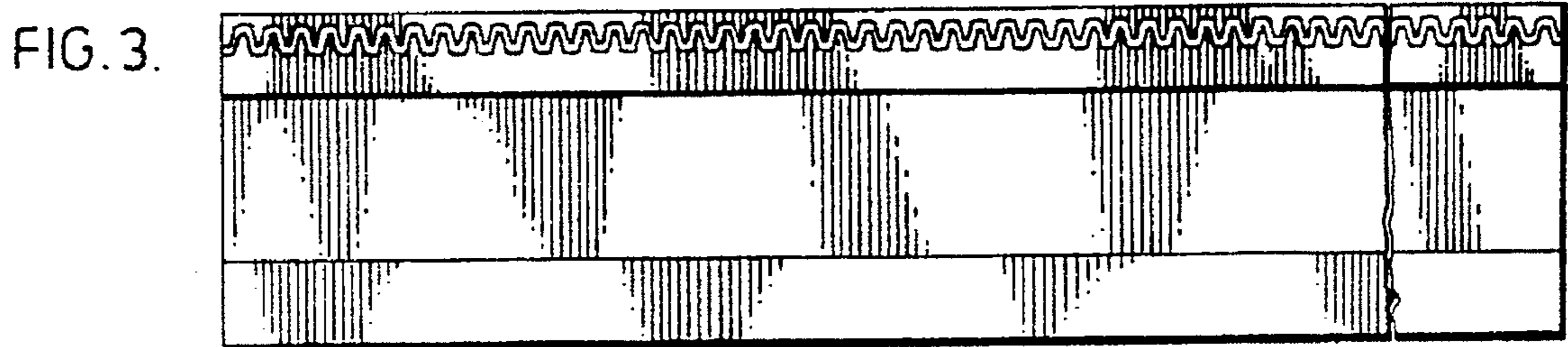
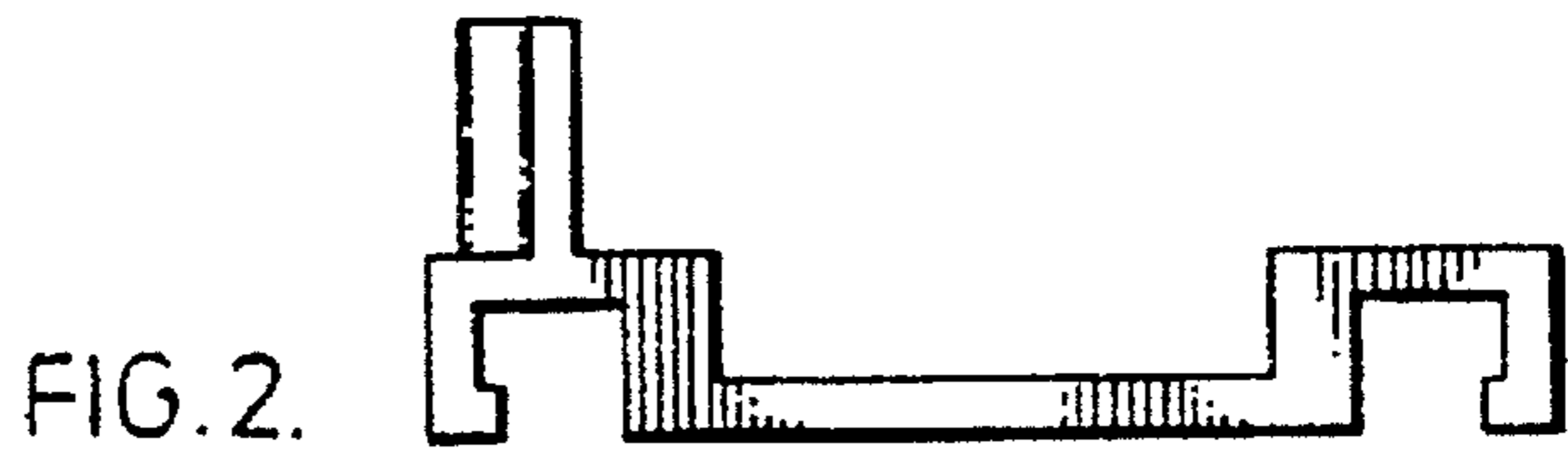
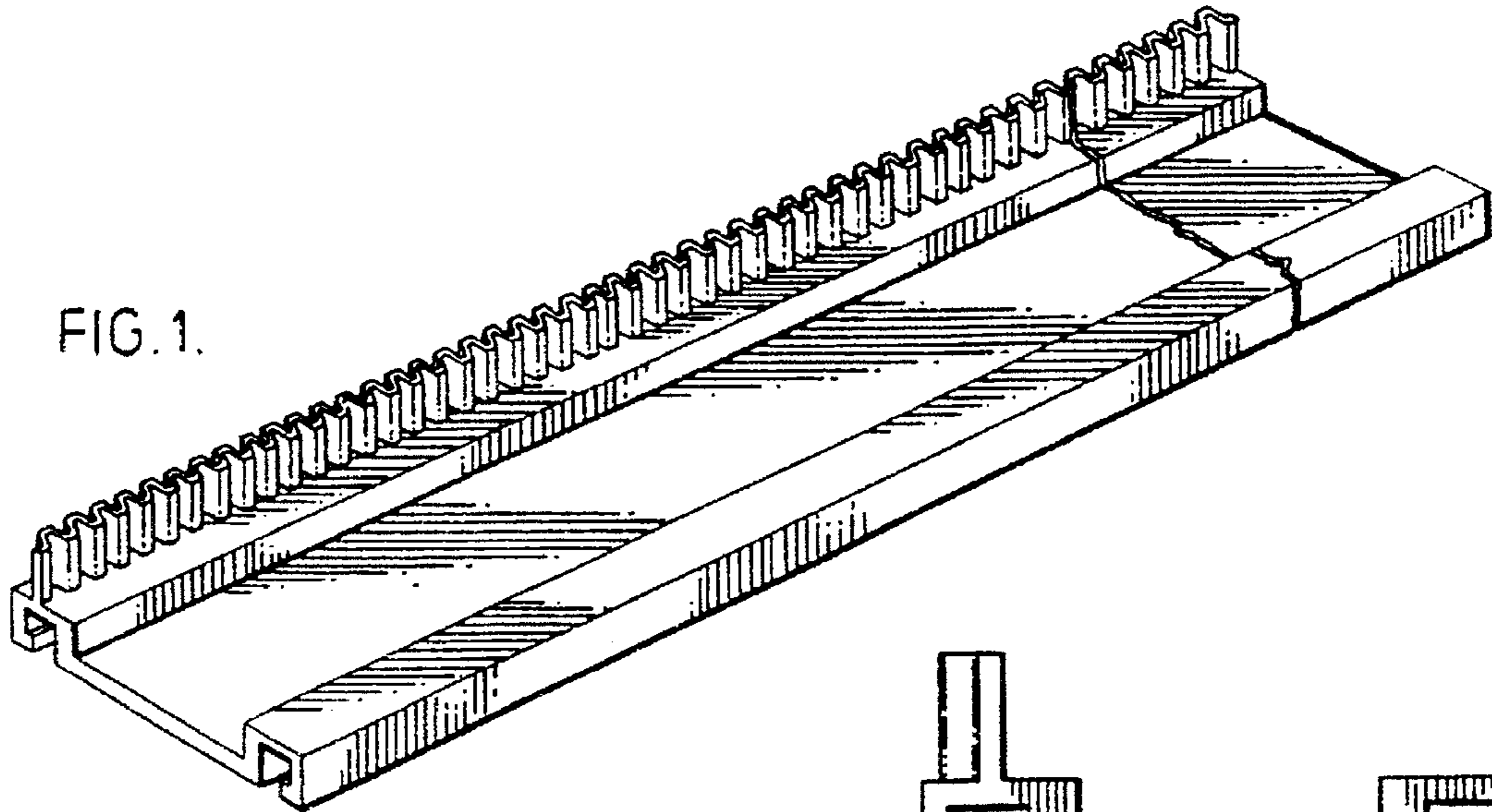
[56] **References Cited**

**U.S. PATENT DOCUMENTS**

D. 310,775 9/1990 Roonala ..... D8/377  
4,248,018 2/1981 Casamayor ..... 49/504  
4,594,812 6/1986 Clancy et al. .... 49/504

**1 Claim, 2 Drawing Sheets**





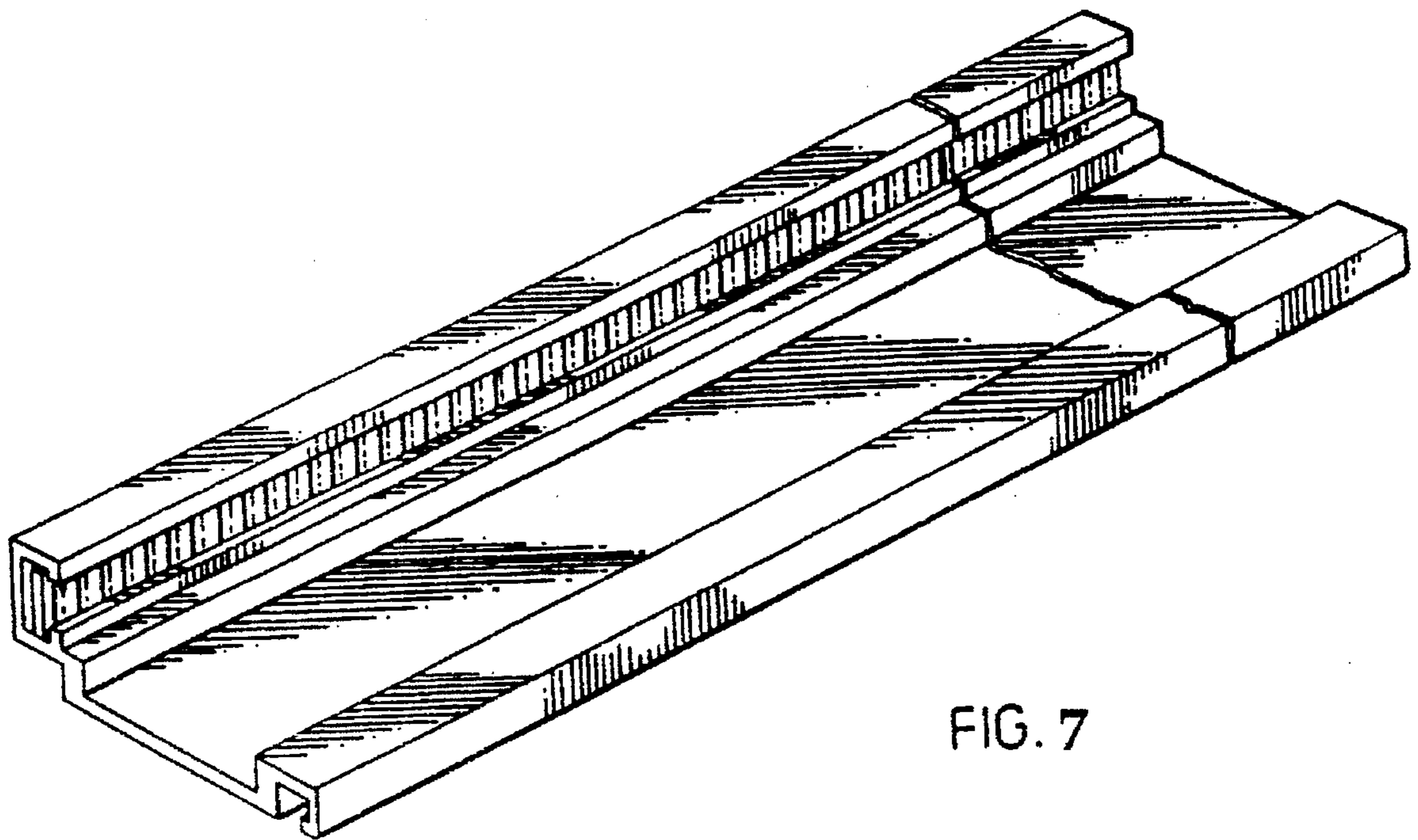


FIG. 7