



US00D381438S

United States Patent [19]
DiGiorgio

[11] **Patent Number:** **Des. 381,438**

[45] **Date of Patent:** ****Jul. 22, 1997**

[54] **PICTURE WINDOW FRAME**

D. 325,982 5/1992 Dallaive et al. D25/124

[75] **Inventor:** **Tony DiGiorgio**, Woodbridge, Canada

Primary Examiner—Doris Clark

[73] **Assignee:** **Dominion Plastics Inc.**, Woodbridge, Canada

[57] **CLAIM**

[**] **Term:** **14 Years**

The ornamental design for a picture window frame, as shown and described.

[21] **Appl. No.:** **45,703**

DESCRIPTION

[22] **Filed:** **Oct. 27, 1995**

[51] **LOC (6) Cl.** **25-01**

FIG. 1 is a perspective view from one side of the picture window frame; and,

[52] **U.S. Cl.** **D25/24**

[58] **Field of Search** D25/52, 122, 125;
52/204.5, 730.3, 730.4, 730.5; 49/504, 505.
DIG. 2

FIG. 2 is a perspective view from the other side of the picture window frame.

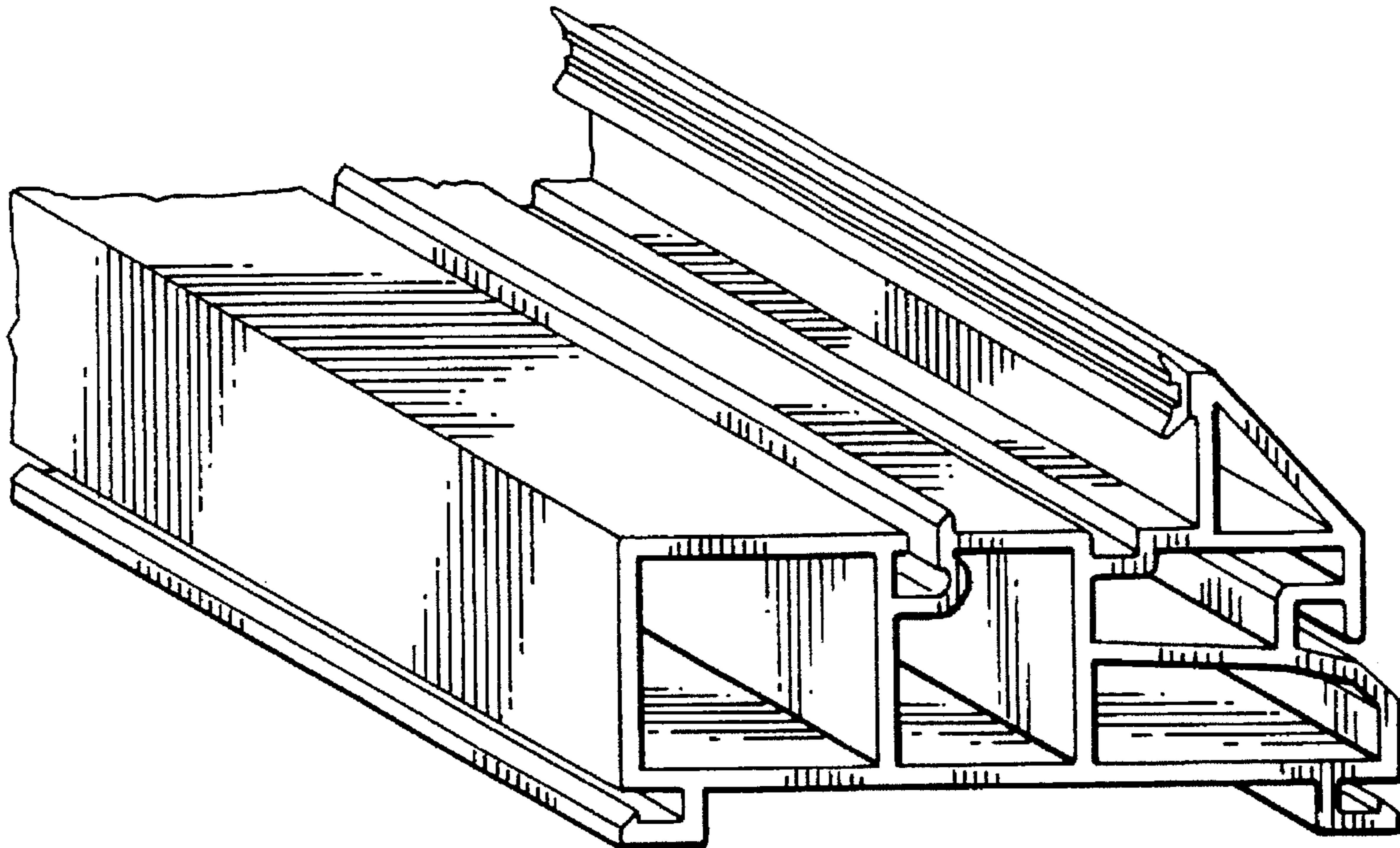
The picture window frame is broken away on the end to indicate indeterminate length.

[56] **References Cited**

U.S. PATENT DOCUMENTS

D. 307,944 5/1990 Westphal et al. D25/124

1 Claim, 1 Drawing Sheet



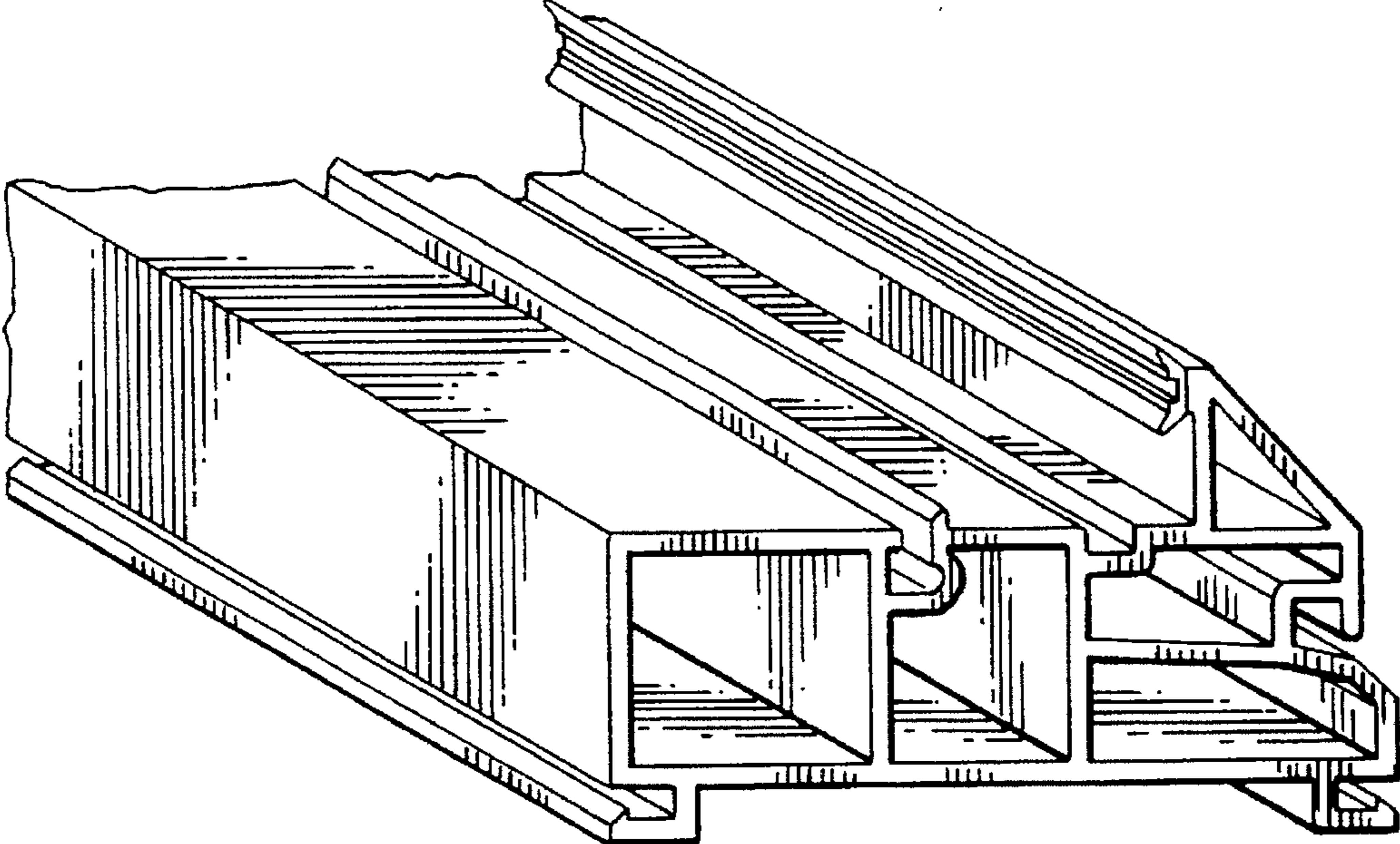


FIG.1.

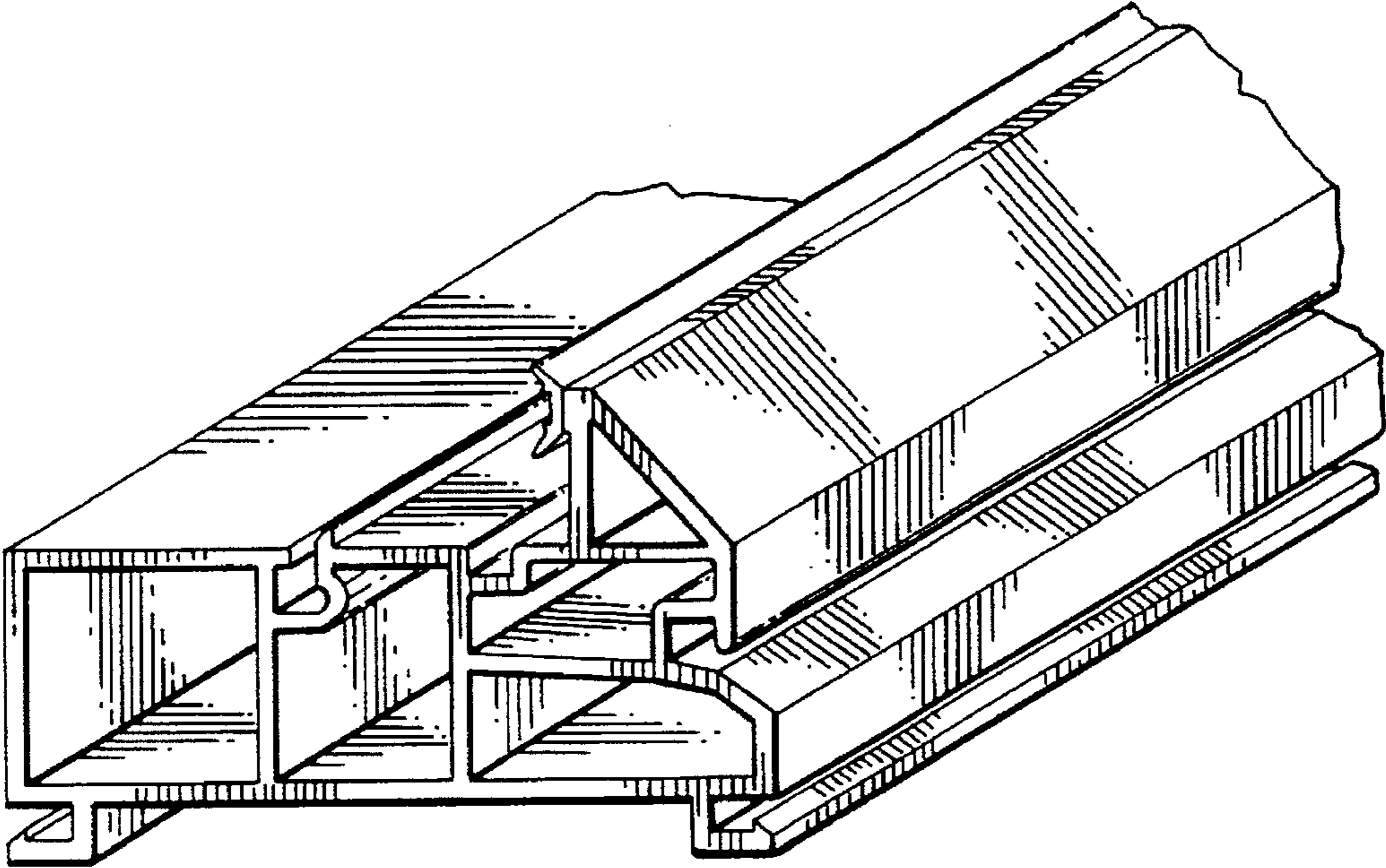


FIG.2.