



US00D381437S

United States Patent [19]
Browning

[11] **Patent Number:** **Des. 381,437**

[45] **Date of Patent:** ****Jul. 22, 1997**

[54] **RETAINING WALL MASONRY BLOCK**

[75] **Inventor:** **Leonard Browning, Yorkville, Ill.**

[73] **Assignee:** **G.P. Industries, Inc., Schaumburg, Ill.**

[**] **Term:** **14 Years**

[21] **Appl. No.:** **41,629**

[22] **Filed:** **Jul. 20, 1995**

[51] **LOC (6) Cl.** **25-01**

[52] **U.S. Cl.** **D25/113**

[58] **Field of Search** **D25/113-118;**
D21/108; 52/604, 605, 606, 596, 102; 446/125,
127, 106

[56] **References Cited**

U.S. PATENT DOCUMENTS

D. 299,067	12/1988	Forsberg	D25/582
D. 317,048	5/1991	Forsberg	D25/114
784,476	3/1905	Davis	52/604
986,132	3/1911	Burchartz	52/604
2,541,460	2/1951	Bugh	52/604
3,619,935	11/1971	Gregoire	446/127
4,372,091	2/1983	Brown et al.	52/604
4,619,560	10/1986	Crinnion et al.	52/604
5,505,034	4/1996	Dueck	52/604

Primary Examiner—Raphael Barkai
Attorney, Agent, or Firm—Fitch, Even, Tabin & Flannery

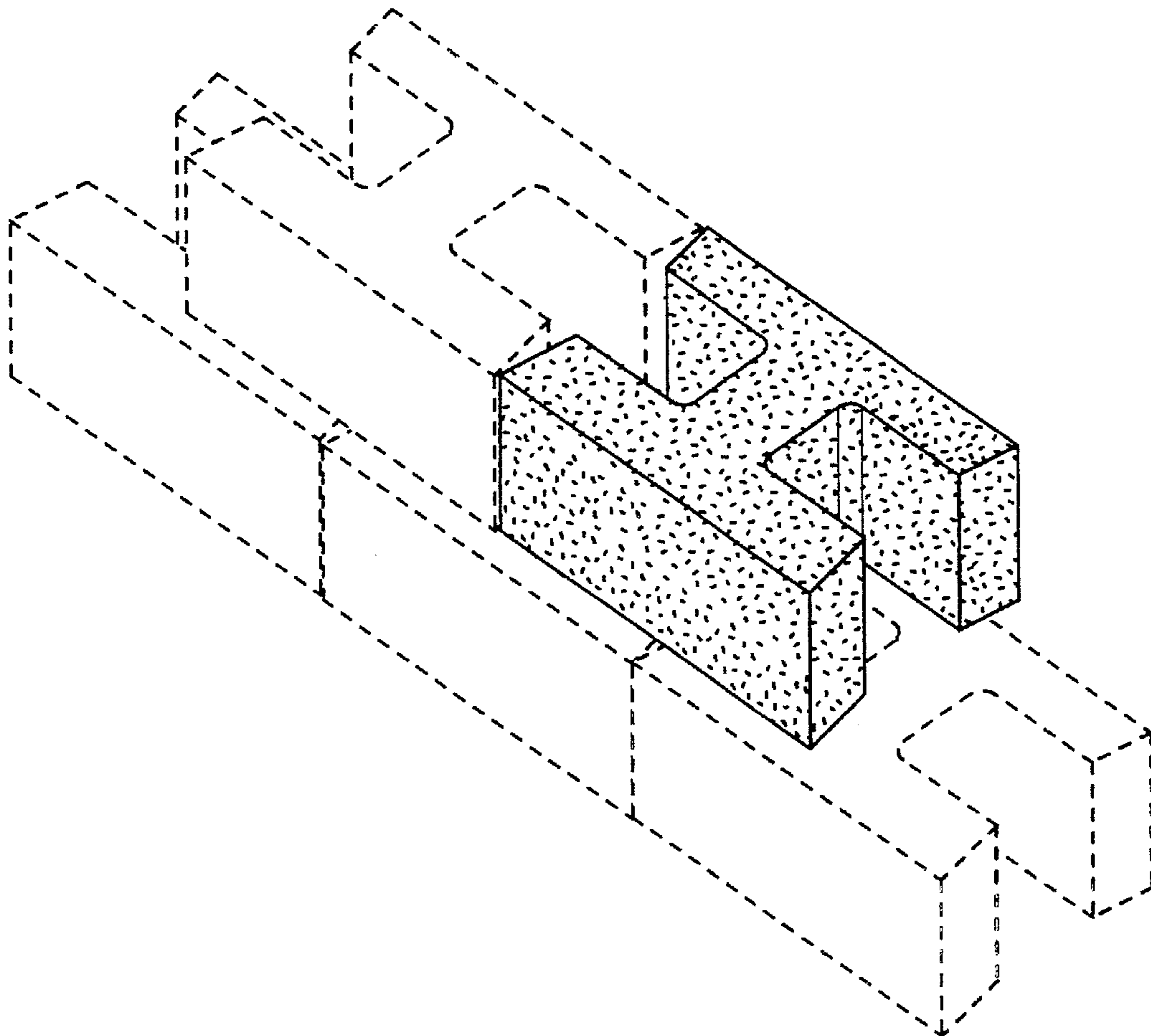
[57] **CLAIM**

The ornamental design for a retaining wall masonry block, as shown and described.

DESCRIPTION

FIG. 1 is a perspective view of a retaining wall masonry block showing my new design;
 FIG. 2 is an enlarged, partial perspective view of FIG. 1;
 FIG. 3 is a perspective view of a single retaining wall masonry block of my new design;
 FIG. 4 is a top plan view of the block of FIG. 3;
 FIG. 5 is a front elevational view of the block of FIG. 3;
 FIG. 6 is a bottom plan view of the block of FIG. 3;
 FIG. 7 is a side elevational view of the block of FIG. 3;
 FIG. 8 is a side elevational view of the block shown in FIG. 3;
 FIG. 9 is a bottom plan view of another embodiment of the retaining wall masonry block of my new design;
 FIG. 10 is a side elevational view of the block of FIG. 9;
 and,
 FIG. 11 is a front elevational view of the block of FIG. 9.

1 Claim, 4 Drawing Sheets



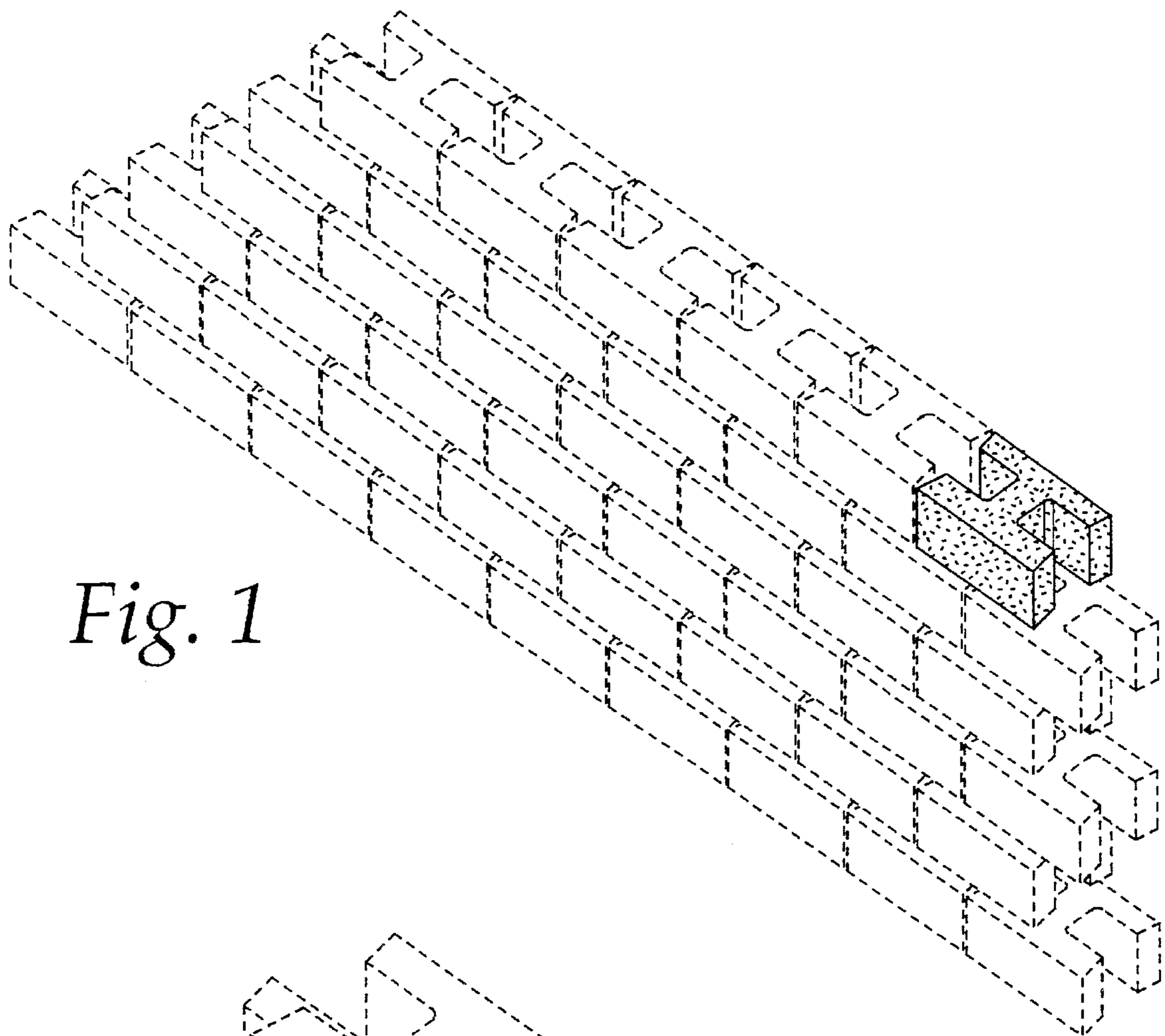


Fig. 1

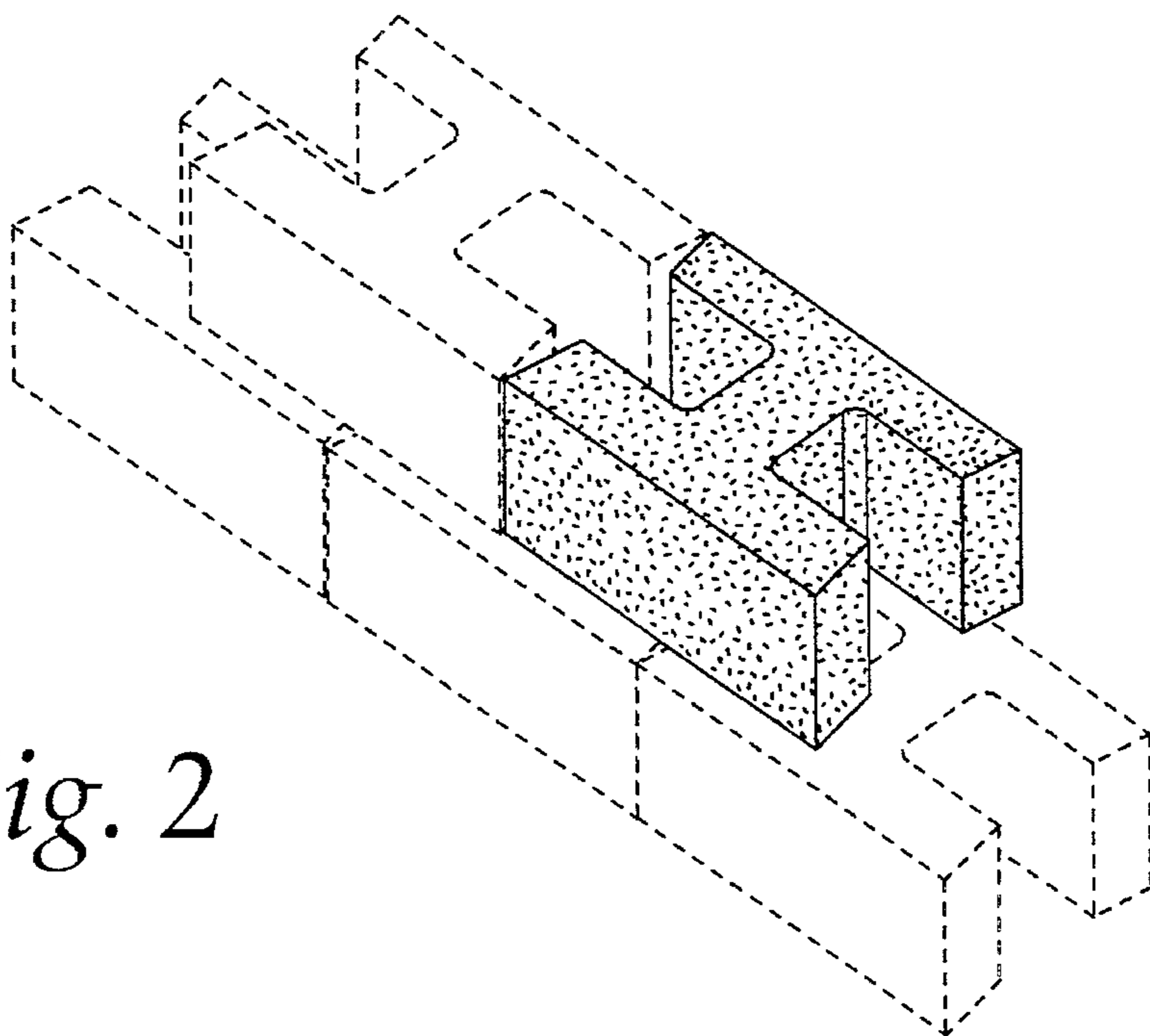


Fig. 2

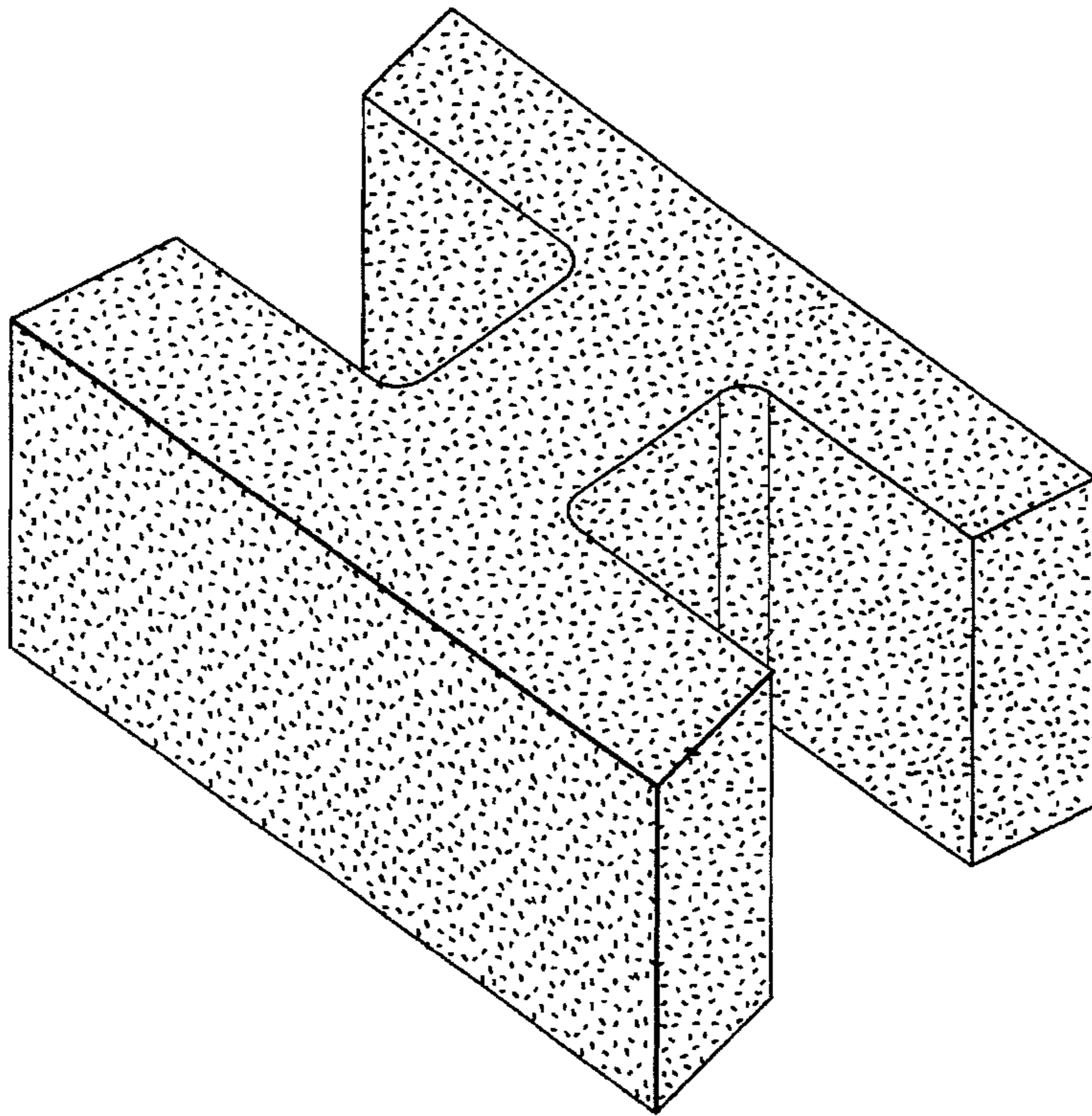


Fig. 3

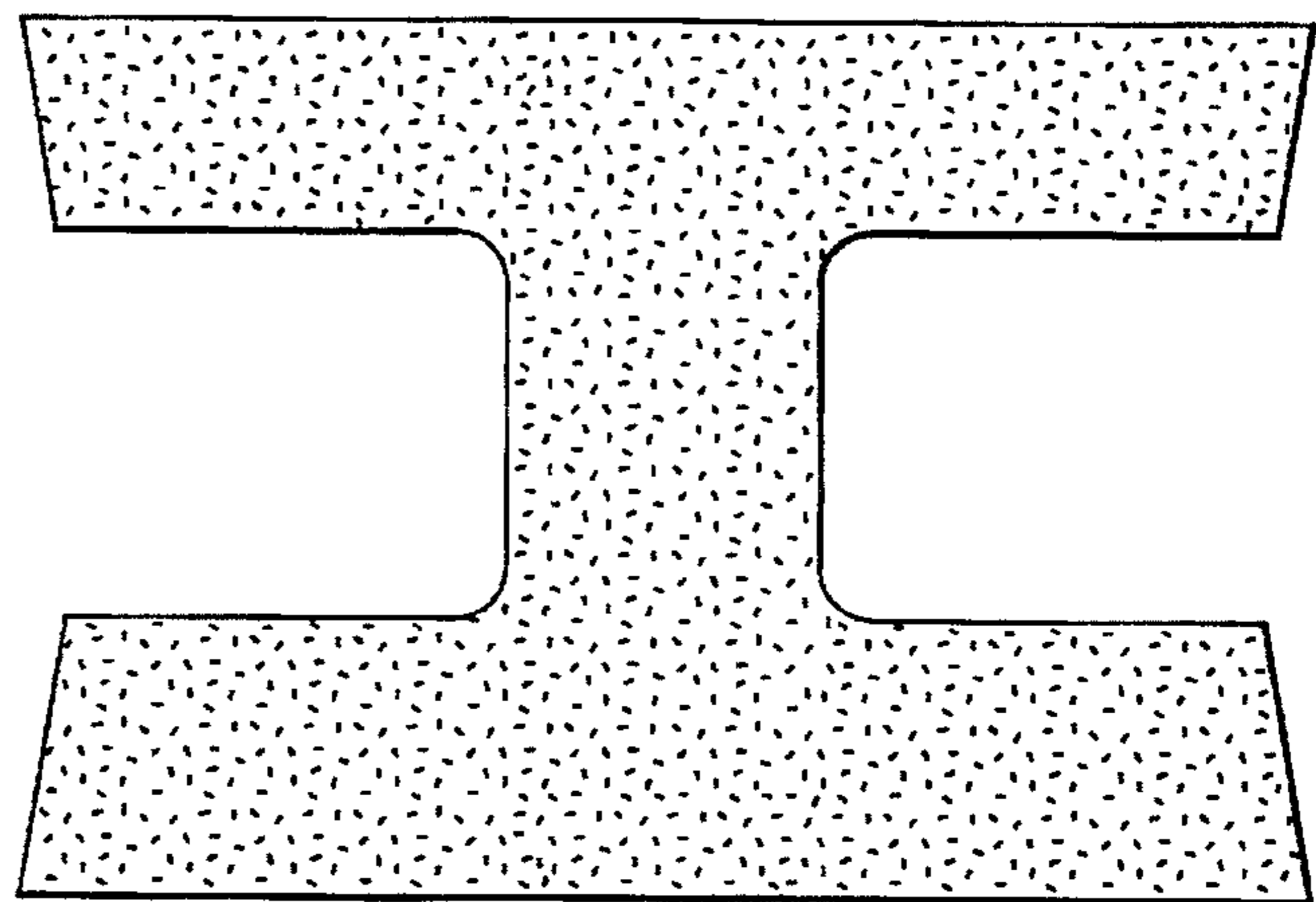


Fig. 4

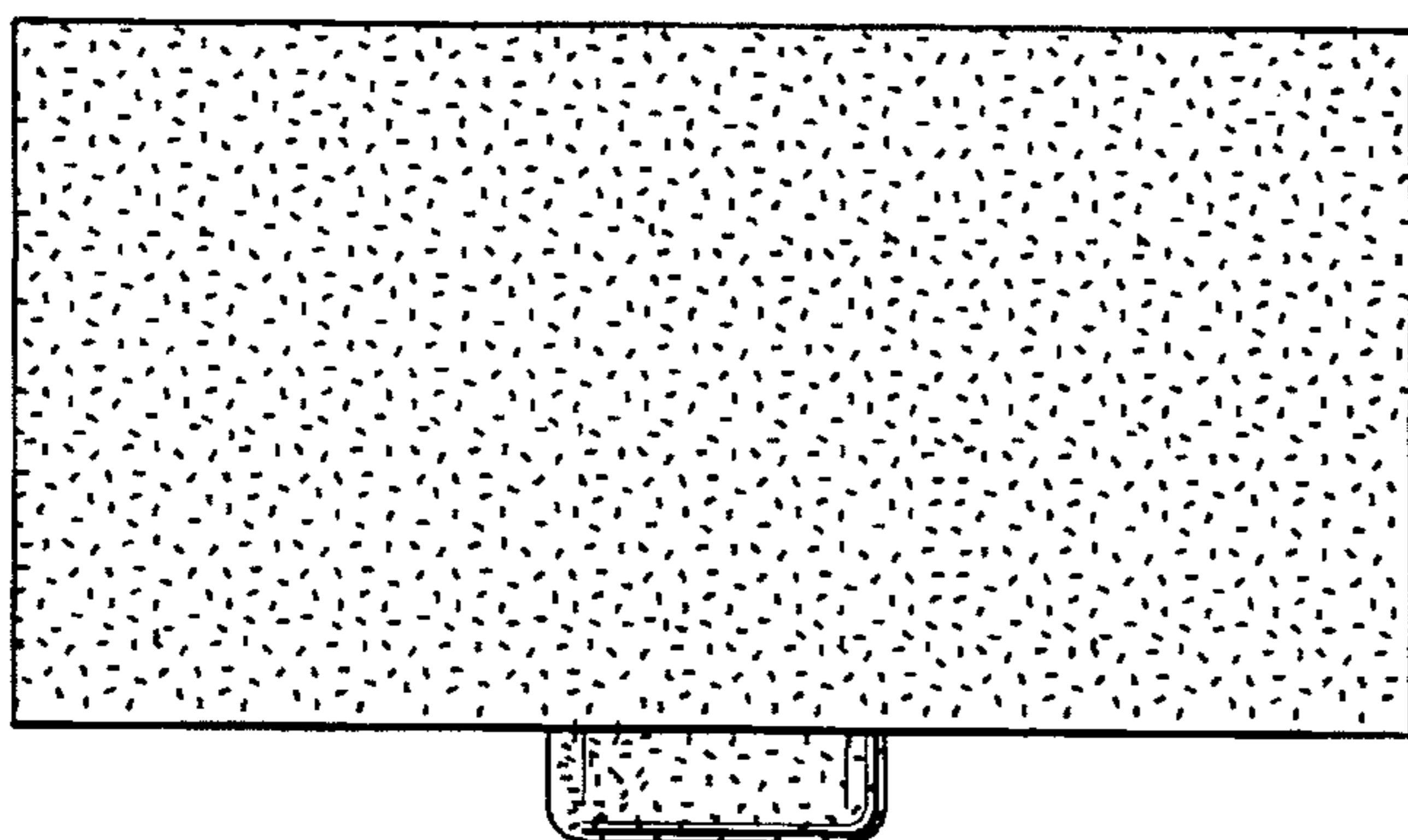


Fig. 5

Fig. 6

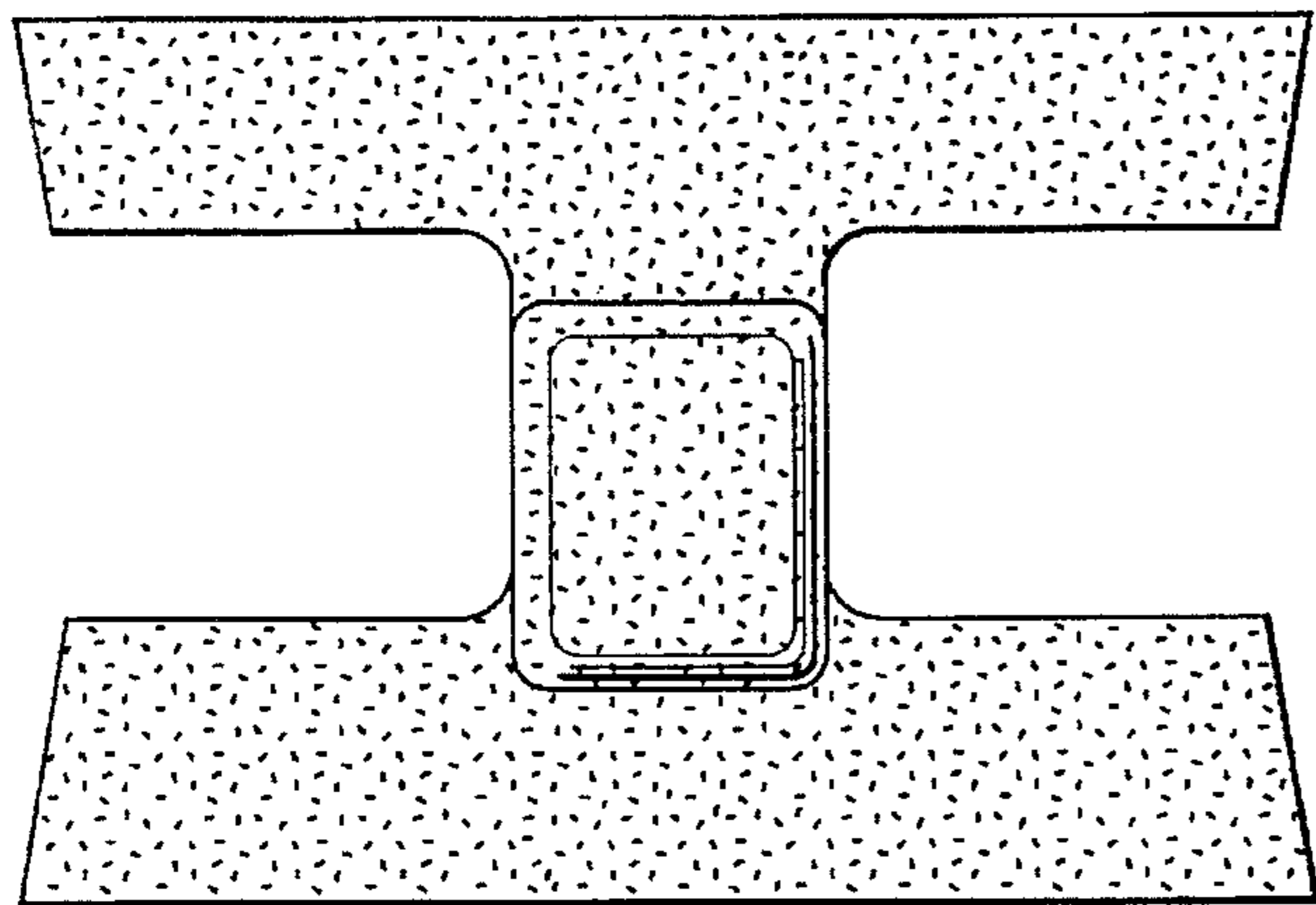


Fig. 8

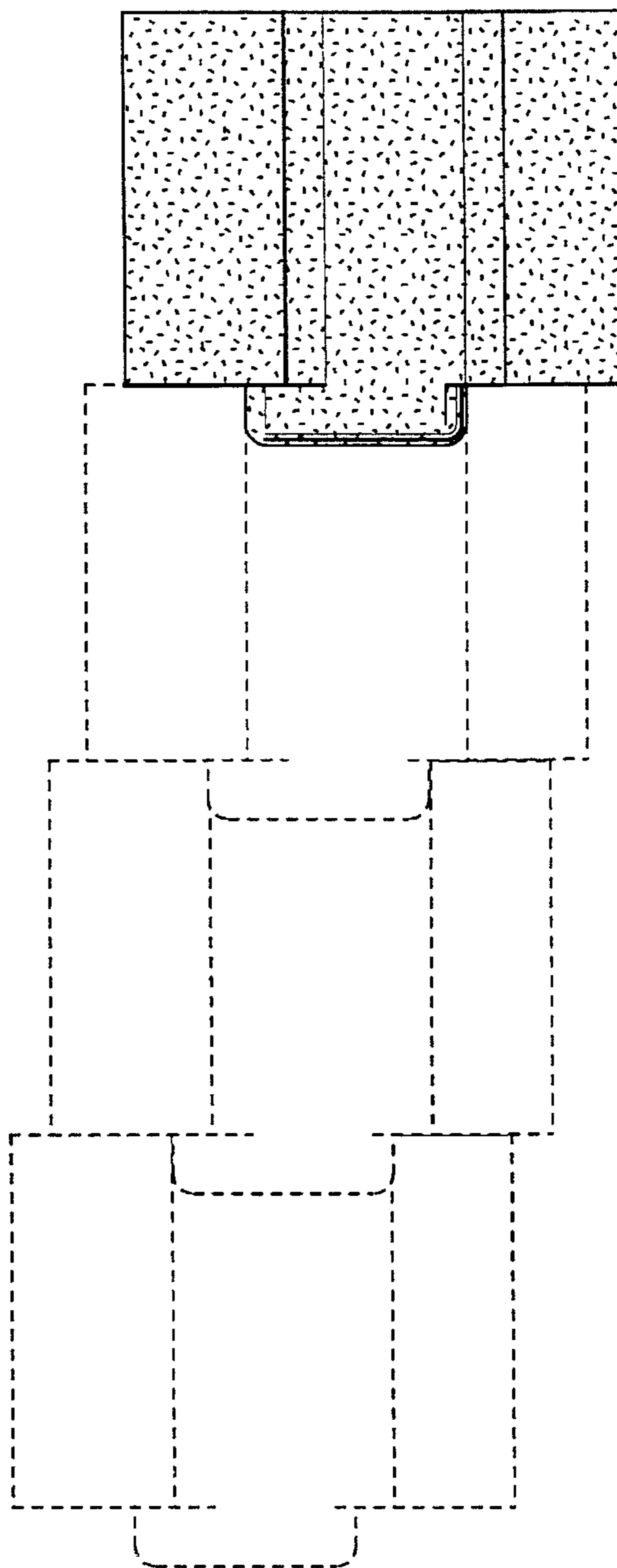


Fig. 7

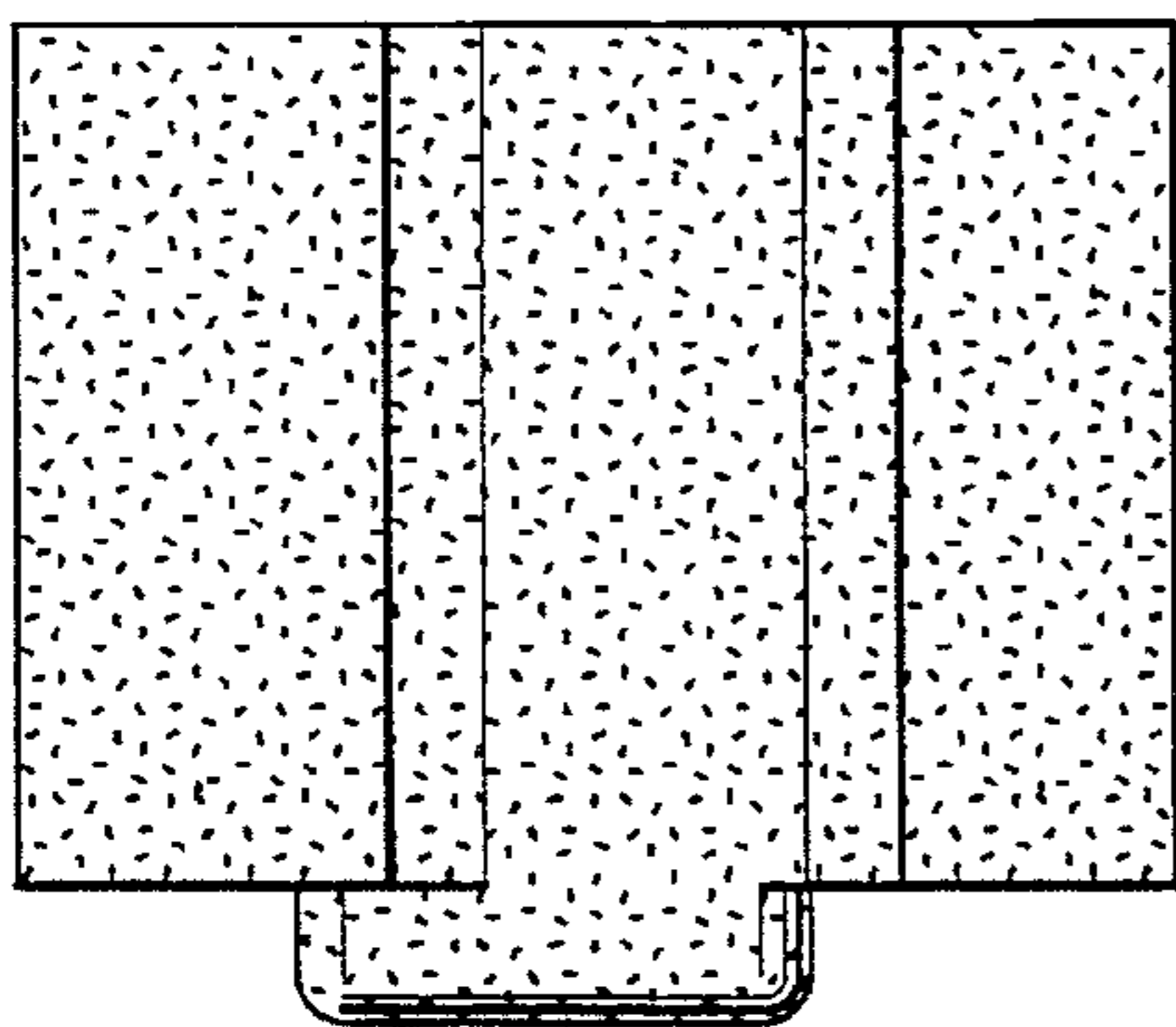


Fig. 9

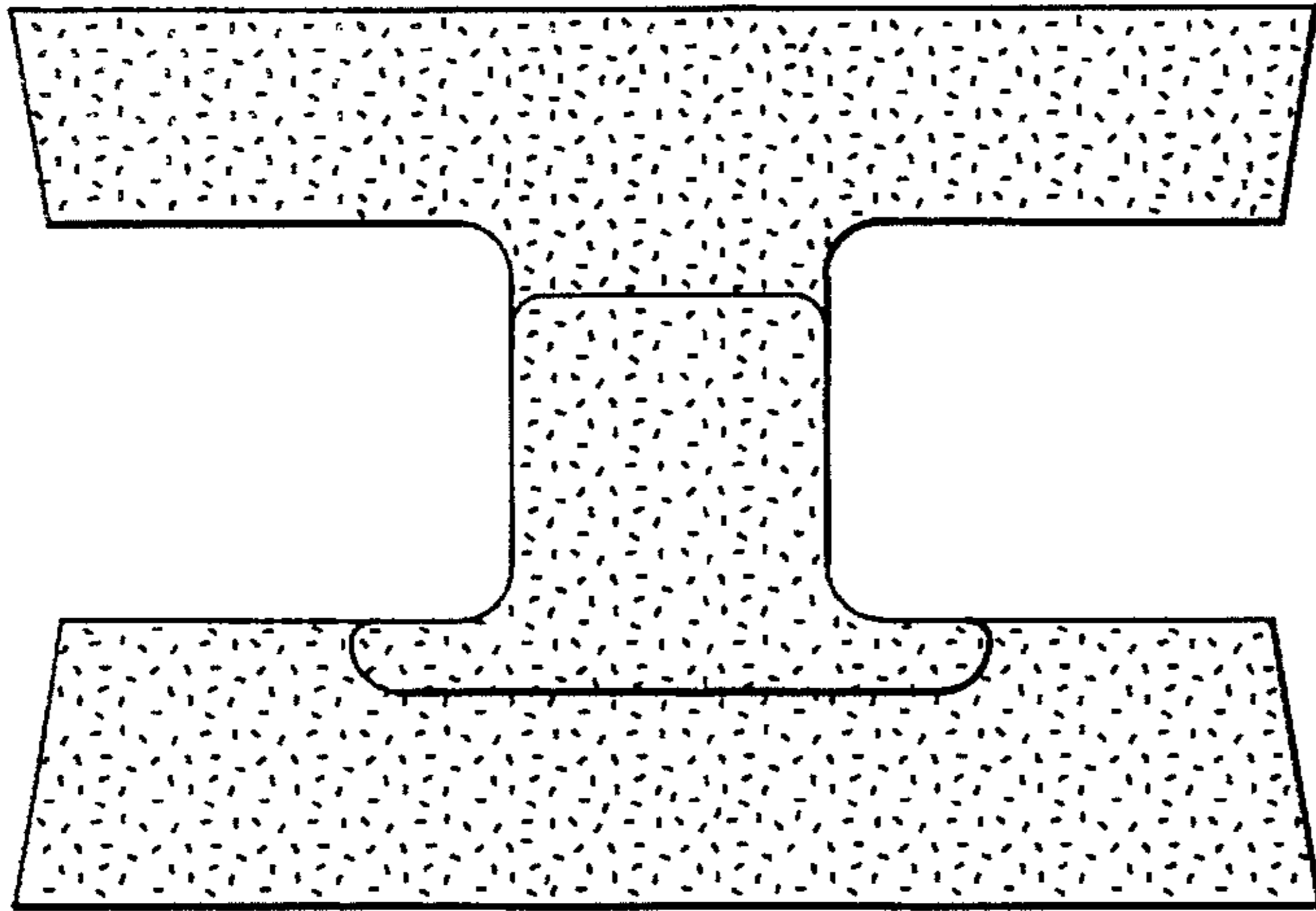


Fig. 10

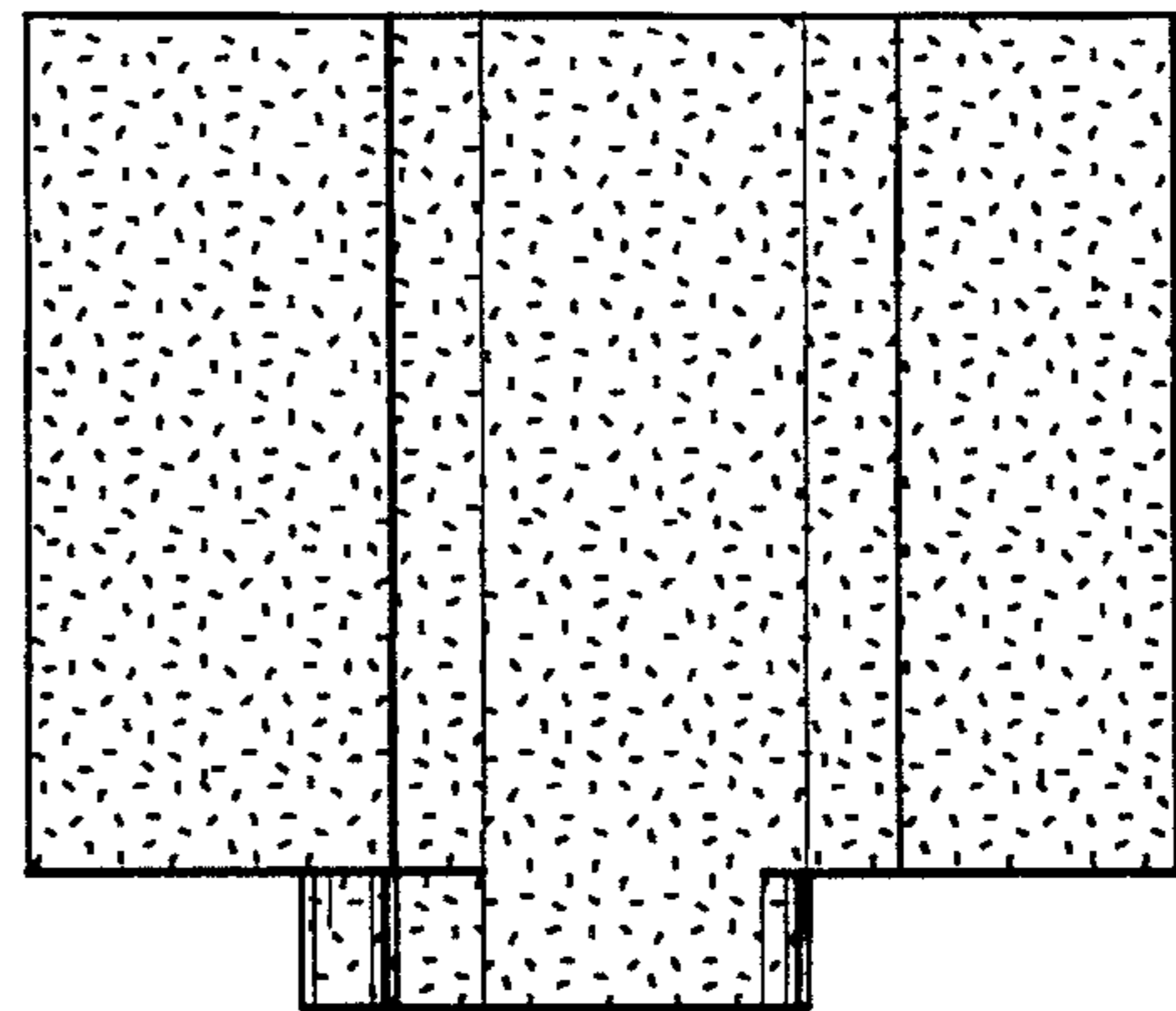


Fig. 11

