



US00D381424S

United States Patent [19]

Iwasaki et al.

[11] Patent Number: **Des. 381,424**

[45] Date of Patent: ****Jul. 22, 1997**

[54] **SUPPORT TOOL FOR INSERTION OF A THORACOSCOPE**

[75] Inventors: **Masayuki Iwasaki**, Hiratsuka; **Junichi Ugawa**, Yokohama; **Takashi Waki**, Tokyo, all of Japan

[73] Assignee: **Fuji Systems Corporation**, Tokyo, Japan

[**] Term: **14 Years**

[21] Appl. No.: **52,198**

[22] Filed: **Mar. 26, 1996**

[51] **LOC (6) Cl.** **24-02**

[52] **U.S. Cl.** **D24/140; D24/133**

[58] **Field of Search** D24/112, 146, D24/135, 130, 140; 604/164, 165, 166, 167, 256, 264, 158, 280, 284, 174, 177, 180

[56] **References Cited**

U.S. PATENT DOCUMENTS

D. 358,209	5/1995	Petruschke et al.	D24/146
5,275,583	1/1994	Crainich	604/165
5,437,645	8/1995	Urban et al.	604/165
5,443,452	8/1995	Hart et al.	604/167
5,490,843	2/1996	Hildwein et al.	604/164

FOREIGN PATENT DOCUMENTS

0585840 12/1977 U.S.S.R. .

OTHER PUBLICATIONS

Brown, William T., "Atlas of Video-Assisted Thoracic Surgery". 1994, pp. 48-105 and pp. 245-249.

Primary Examiner—Louis S. Zarfaz
Assistant Examiner—Gregory Andoll
Attorney, Agent, or Firm—Jones, Tullar & Cooper, P.C.

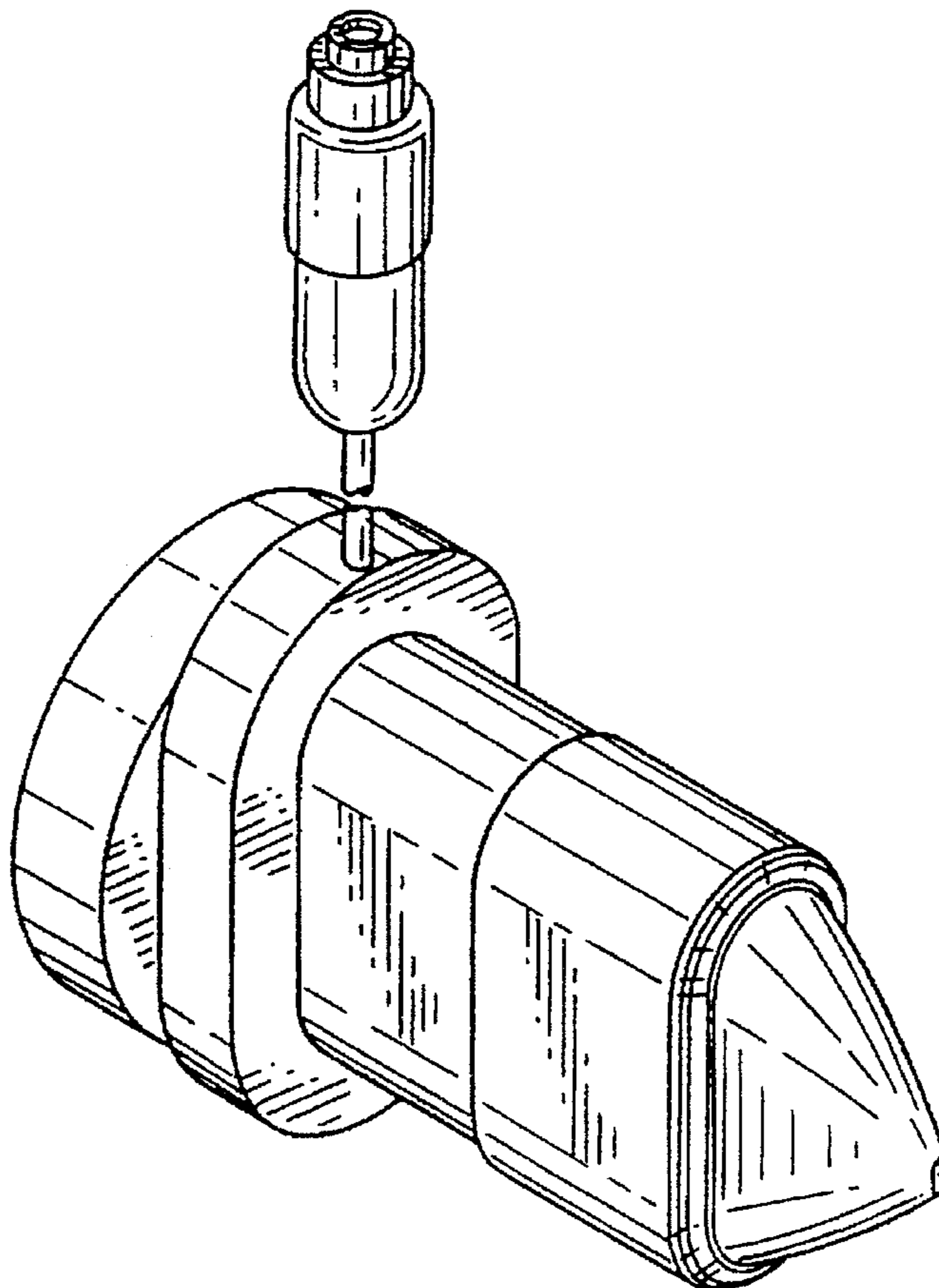
[57] **CLAIM**

The ornamental design for a support tool for insertion of a thoracoscope.

DESCRIPTION

FIG. 1 is a front perspective view of a support tool for insertion of a thoracoscope, showing our new design; FIG. 2 is a front elevational view thereof, the rear being a mirror image thereof; FIG. 3 is a top plan view thereof; FIG. 4 is a bottom plan view thereof; FIG. 5 is a right side elevational view thereof; and, FIG. 6 is a left side elevational view thereof. The broken away showing of the connection between the secondary port and the main body in FIGS. 1, 2, 5 and 6 indicates that this connection is of indeterminate length.

1 Claim, 2 Drawing Sheets



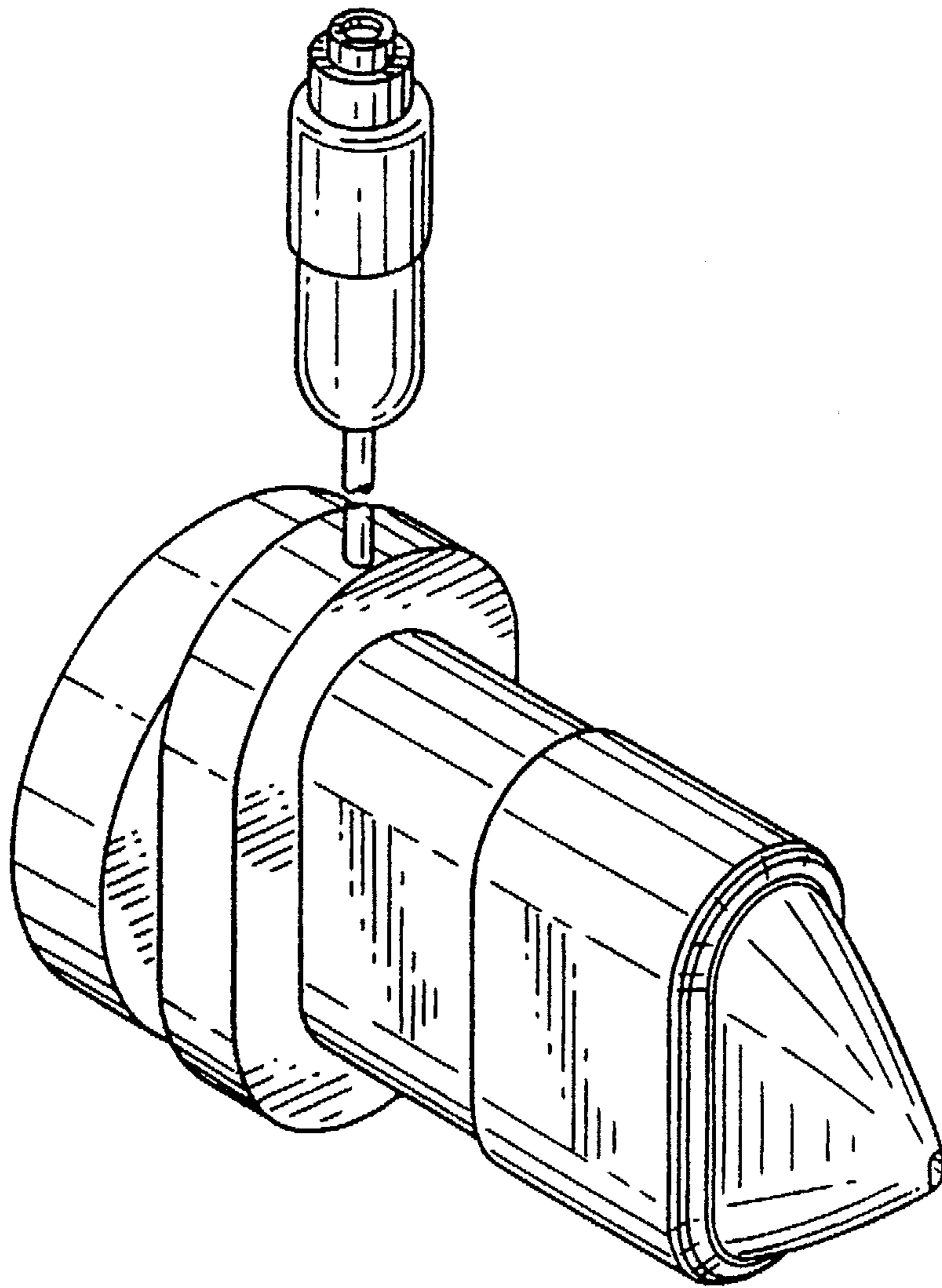


FIG. 1

