



US00D381423S

# United States Patent [19]

[11] Patent Number: **Des. 381,423**

Iwasaki et al.

[45] Date of Patent: **\*\*Jul. 22, 1997**

[54] **SUPPORT TOOL FOR INSERTION OF A THORACOSCOPE**

[75] Inventors: **Masayuki Iwasaki**, Hiratsuka; **Junichi Ugawa**, Yokohama, both of Japan

[73] Assignee: **Fuji Systems Corporation**, Tokyo, Japan

[\*\*] Term: **14 Years**

[21] Appl. No.: **50,650**

[22] Filed: **Feb. 21, 1996**

[30] **Foreign Application Priority Data**

Sep. 14, 1995 [JP] Japan ..... 07-26935

[51] LOC (6) Cl. .... **24-02**

[52] U.S. Cl. .... **D24/140; D24/133**

[58] Field of Search ..... D24/112, 146, D24/135, 130, 140; 604/164, 165, 166, 167, 256, 264, 158, 280, 284, 174, 177, 180

[56] **References Cited**

**U.S. PATENT DOCUMENTS**

D. 358,209	5/1995	Petruschke et al. ....	D24/146
5,275,583	1/1994	Crainich .....	604/165
5,437,645	8/1995	Urban et al. ....	604/165
5,443,452	8/1995	Hart et al. ....	604/167
5,490,843	2/1996	Hildwein et al. ....	604/164

**FOREIGN PATENT DOCUMENTS**

2-17105	2/1990	Japan .
6-19709	3/1994	Japan .
0585840	12/1977	U.S.S.R. .

**OTHER PUBLICATIONS**

Brown, William T., "Atlas of Video-Assisted Thoracic Surgery", 1994, pp. 48-105 and pp. 245-249.

*Primary Examiner*—Louis S. Zarfes  
*Assistant Examiner*—Gregory Andoll  
*Attorney, Agent, or Firm*—Jones, Tullar & Cooper, P.C.

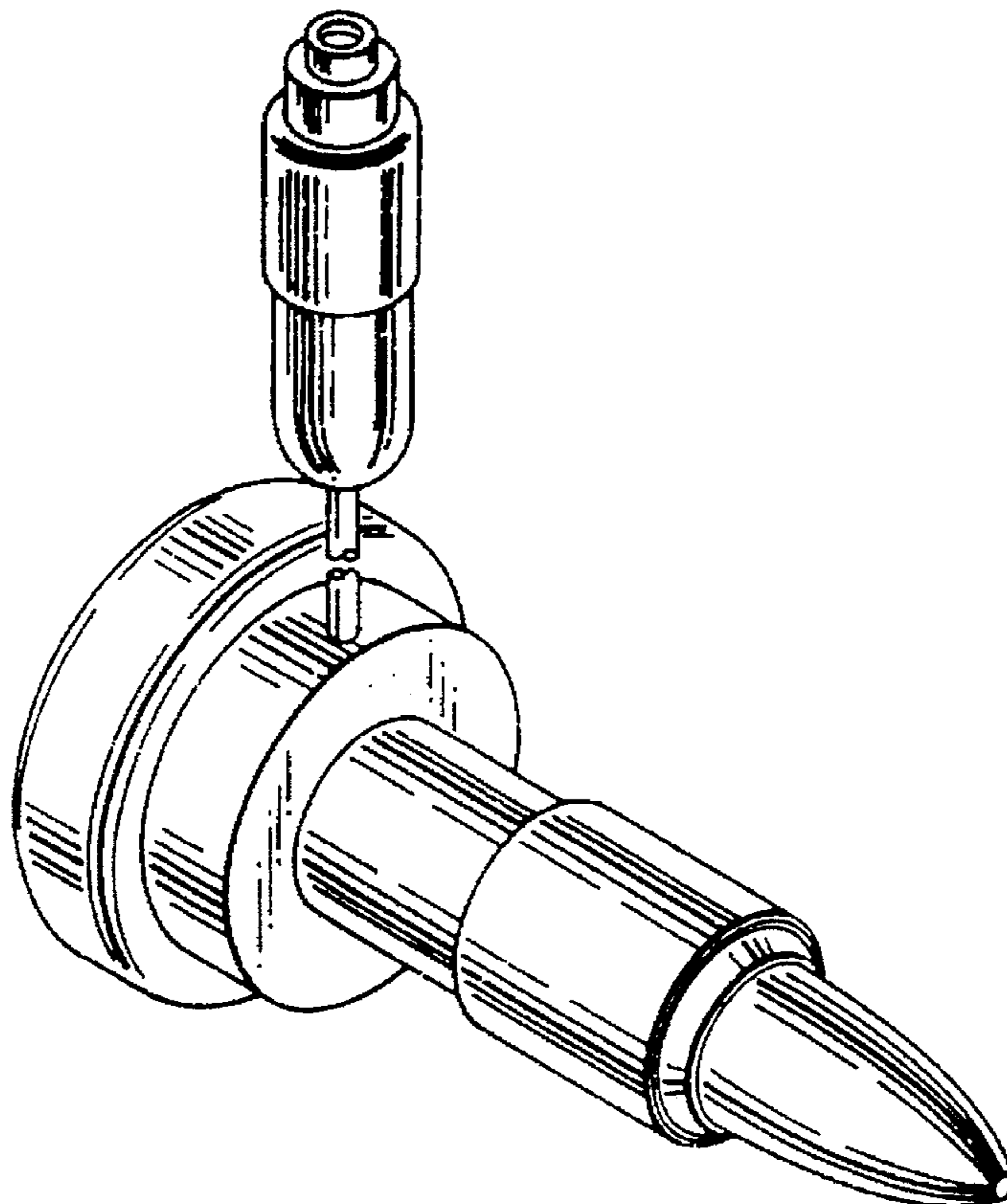
[57] **CLAIM**

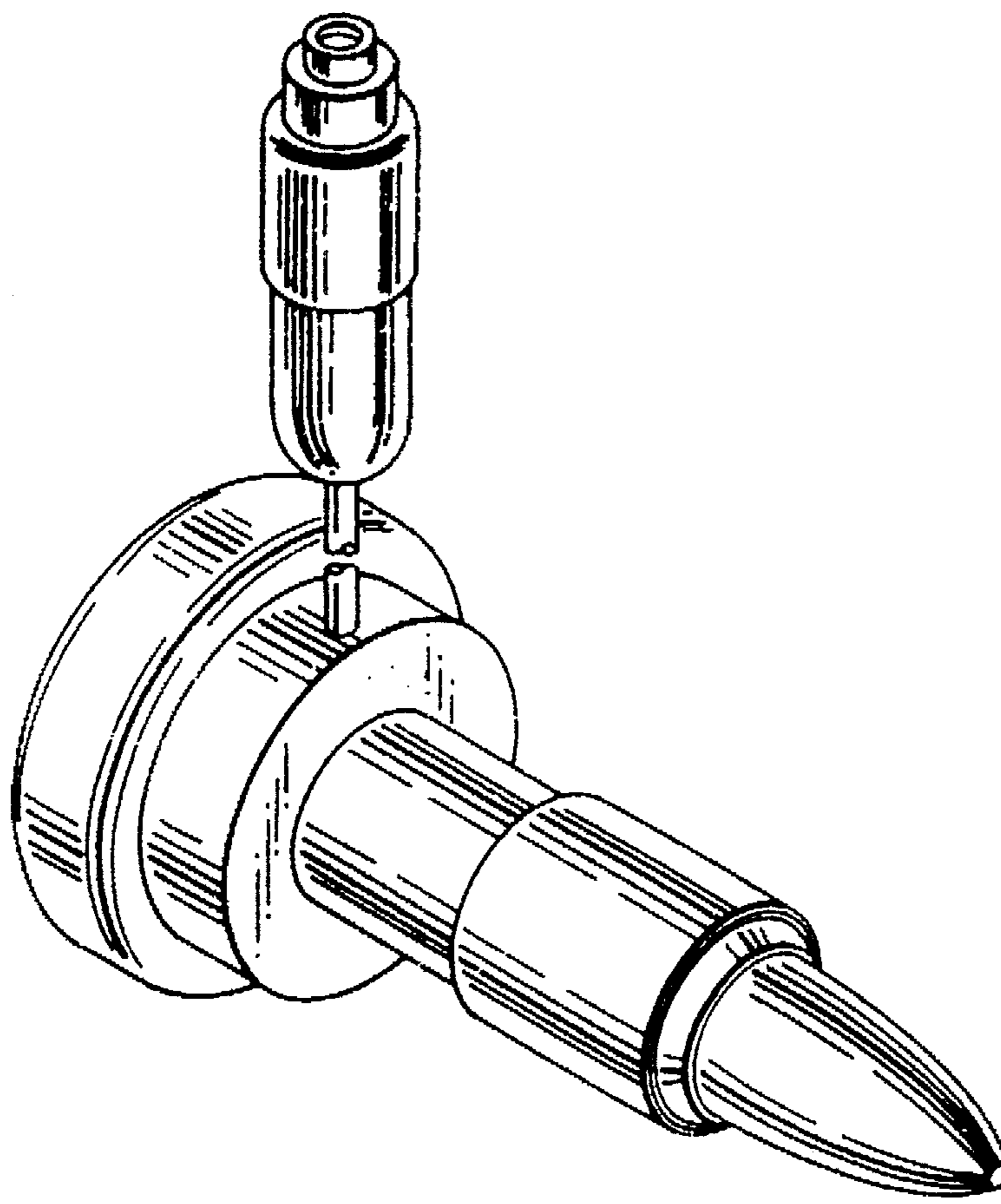
The ornamental design for a support tool for insertion of a thoracoscope.

**DESCRIPTION**

FIG. 1 is a front perspective view of a support tool for insertion of a thoracoscope, showing our new design; FIG. 2 is a front elevation view thereof, the rear being a mirror image thereof; FIG. 3 is a top plan view thereof; FIG. 4 is a bottom plan view thereof; FIG. 5 is right side elevational view thereof; and, FIG. 6 is a left side elevational view thereof. The broken away showing of the connection between the secondary port and the main body in FIGS. 1, 2, 5 and 6 indicates that this connection is of indeterminate length.

**1 Claim, 2 Drawing Sheets**





**FIG. 1**

