



US00D381422S

United States Patent [19]

Erskine et al.

[11] Patent Number: **Des. 381,422**

[45] Date of Patent: ****Jul. 22, 1997**

[54] **WINGED CATHETER COVER**

3,344,787 10/1967 Maclean D24/130 X

[75] Inventors: **Timothy J. Erskine; Glade H. Howell**,
both of Sandy, Utah

Primary Examiner—Louis S. Zarfaz
Assistant Examiner—I. Simmons
Attorney, Agent, or Firm—Eric M. Lee, Esq.

[73] Assignee: **Becton Dickinson and Company**,
Franklin Lakes, N.J.

[57] **CLAIM**

[**] Term: **14 Years**

The ornamental design for a winged catheter cover, as shown and described.

[21] Appl. No.: **47,562**

DESCRIPTION

[22] Filed: **Dec. 7, 1995**

[51] LOC (6) Cl. **24-02**

[52] U.S. Cl. **D24/130**

[58] Field of Search D24/130, 112,
D24/146; 604/263, 193, 192, 166, 164,
167, 168, 198, 158

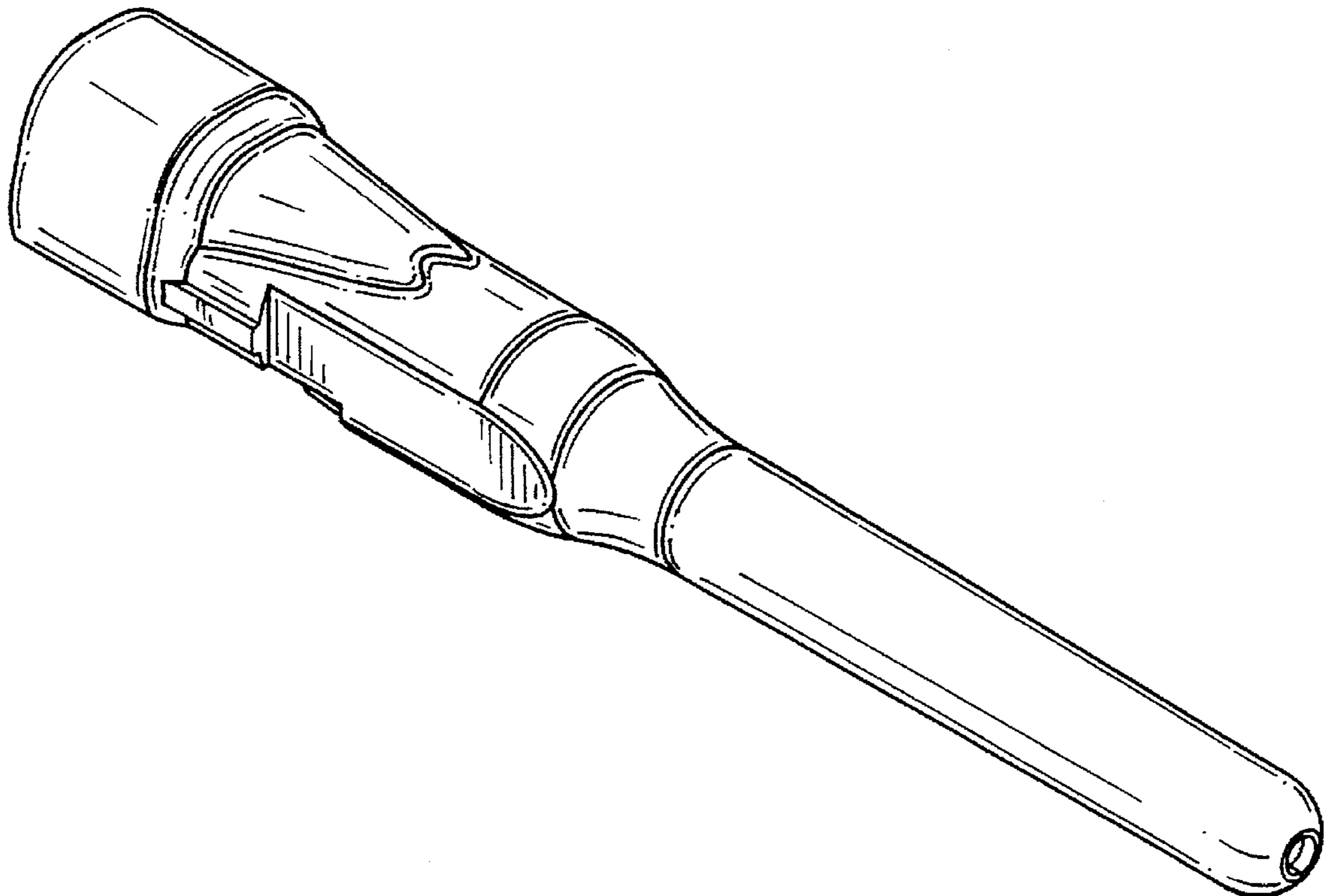
FIG. 1 is a perspective view of a winged catheter cover showing our new design;
FIG. 2 is a front end elevational view thereof;
FIG. 3 is a rear end elevational view thereof;
FIG. 4 is a top plan view thereof;
FIG. 5 is a side elevational view thereof;
FIG. 6 is a bottom plan view thereof; and,
FIG. 7 is a perspective view thereof, the broken line showing of the catheter introducer needle assembly is for illustrative purposes only and forms no part of the claimed design.

[56] **References Cited**

U.S. PATENT DOCUMENTS

- D. 322,671 12/1991 Szwarc D24/130
- D. 327,327 6/1992 Deguchi et al. D24/130
- D. 332,308 1/1993 Imbert et al. D24/130

1 Claim, 3 Drawing Sheets



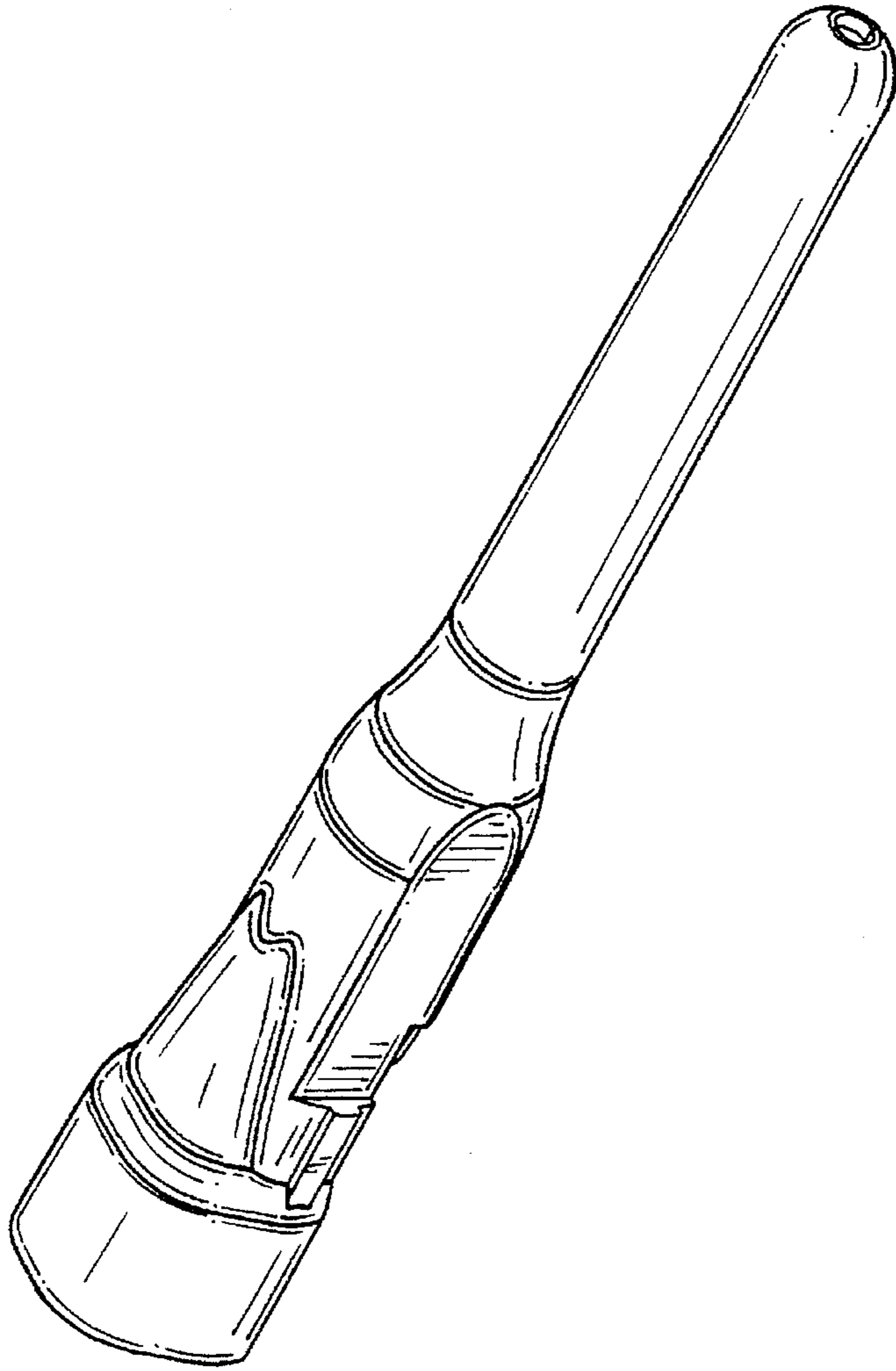


FIG-1

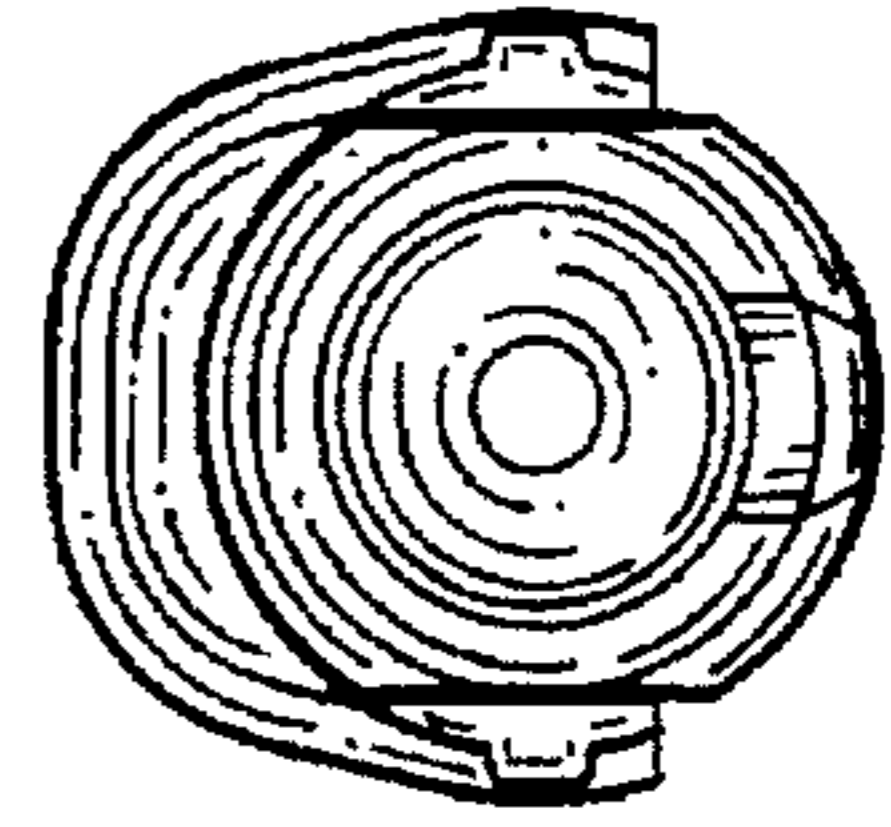


FIG-3

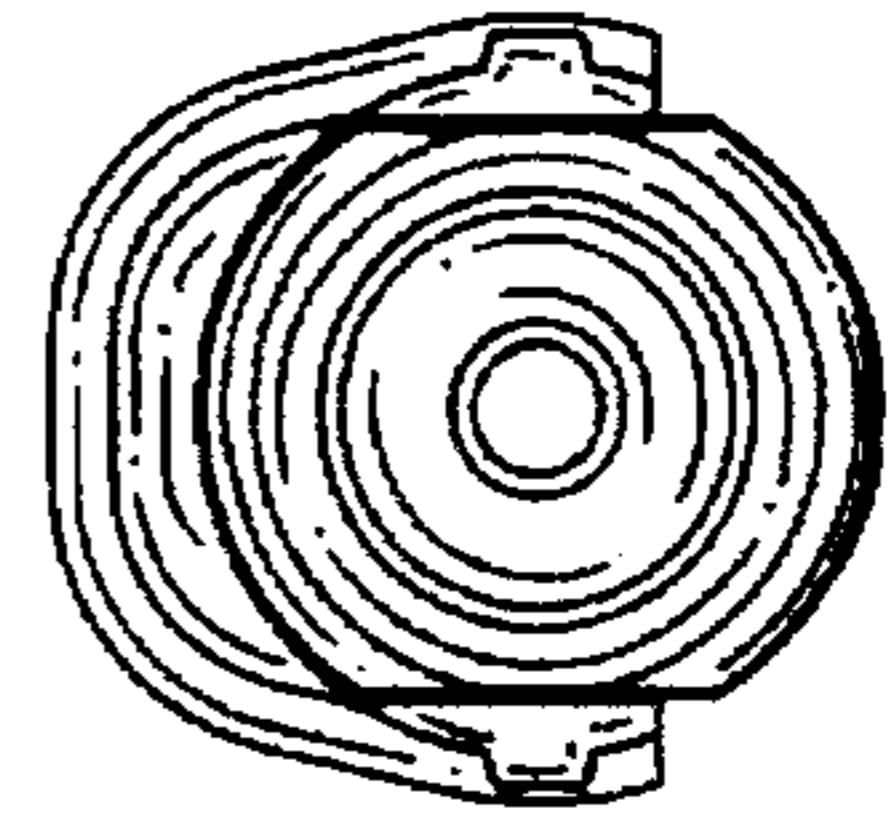


FIG-2

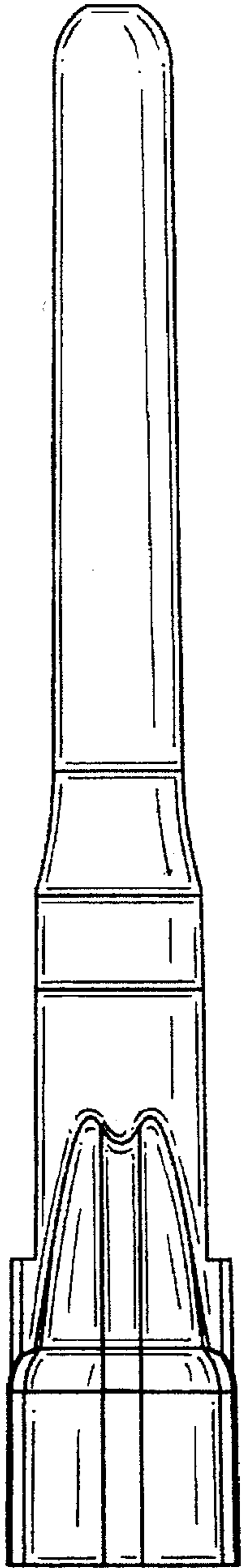


FIG--4

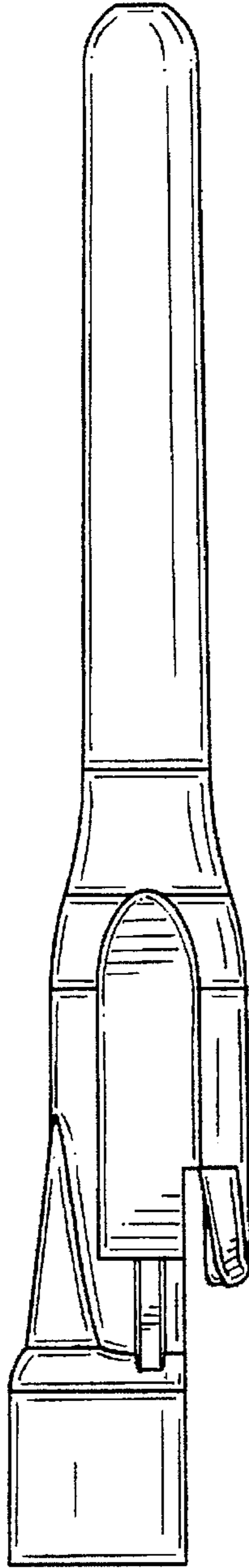


FIG--5

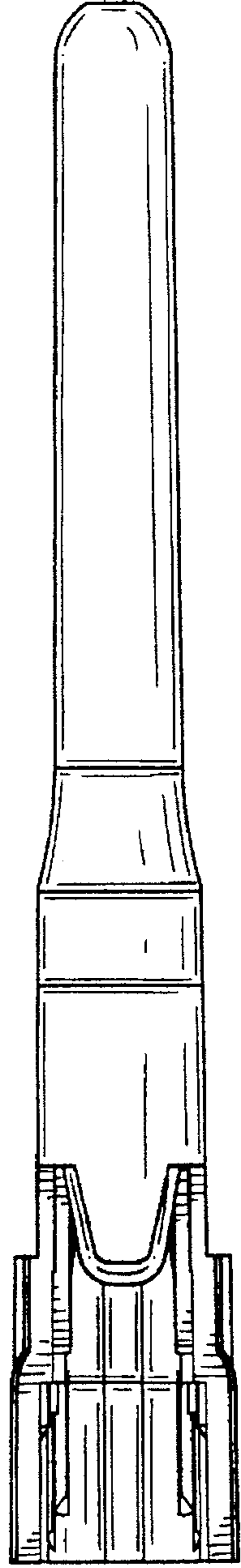


FIG--6

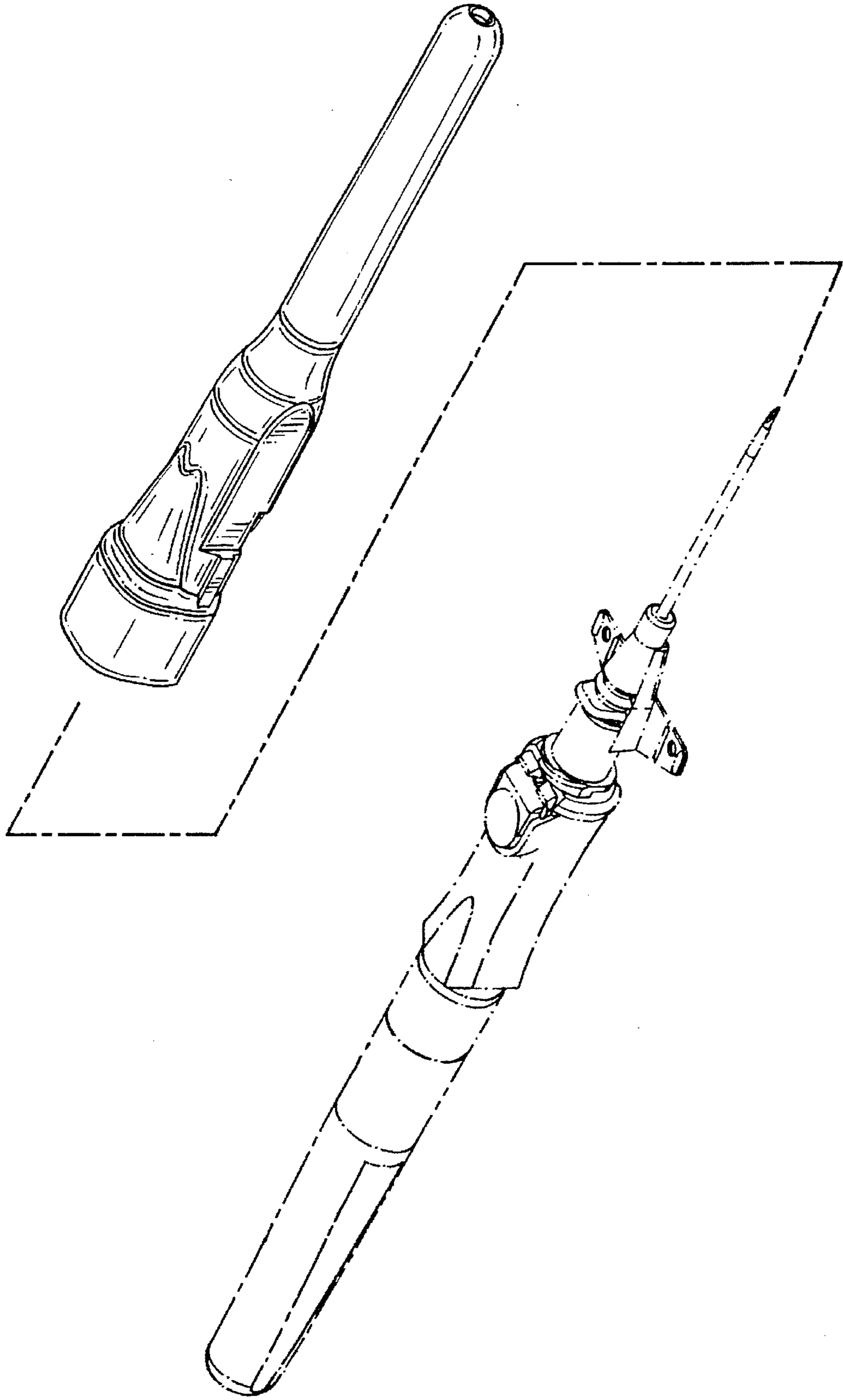


FIG--7