



US00D381421S

# United States Patent [19]

Casica et al.

[11] Patent Number: **Des. 381,421**

[45] Date of Patent: **\*\*Jul. 22, 1997**

[54] **SURGICAL HANDPIECE HOLDER**

[75] Inventors: **Peter D. Casica**, San Juan Capistrano;  
**James Y. Chon**, Chino Hills, both of Calif.

[73] Assignee: **Alcon Laboratories, Inc.**, Fort Worth, Tex.

[\*\*] Term: **14 Years**

[21] Appl. No.: **47,874**

[22] Filed: **Dec. 14, 1995**

[51] LOC (6) Cl. .... **06-04**

[52] U.S. Cl. .... **D24/128; D8/71**

[58] Field of Search ..... D24/128, 129, D24/127, 133, 144, 146, 145; D6/400, 512, 553; 211/71, 60.1, 70.6; D8/71

[56] **References Cited**

**U.S. PATENT DOCUMENTS**

D. 311,107	10/1990	French	.....	D6/553
3,589,363	6/1971	Banko et al.	.	
4,223,676	9/1980	Wuchinich et al.	.	
4,246,902	1/1981	Martinez	.	
4,493,694	1/1985	Wuchinich	.	
4,515,583	5/1985	Sorich	.	

4,589,415	5/1986	Haaga	.	
4,609,368	9/1986	Dotson, Jr.	.	
4,869,715	9/1989	Sherburne	.	
4,922,902	5/1990	Wuchinich et al.	.	
5,431,664	7/1995	Ureche et al.	.	
5,509,540	4/1996	Pomerantz	.....	211/60.1 X
5,544,764	8/1996	Cima	.....	24/60.1 X

*Primary Examiner*—Louis S. Zarfes  
*Assistant Examiner*—I. Simmons  
*Attorney, Agent, or Firm*—Michael C. Mayo

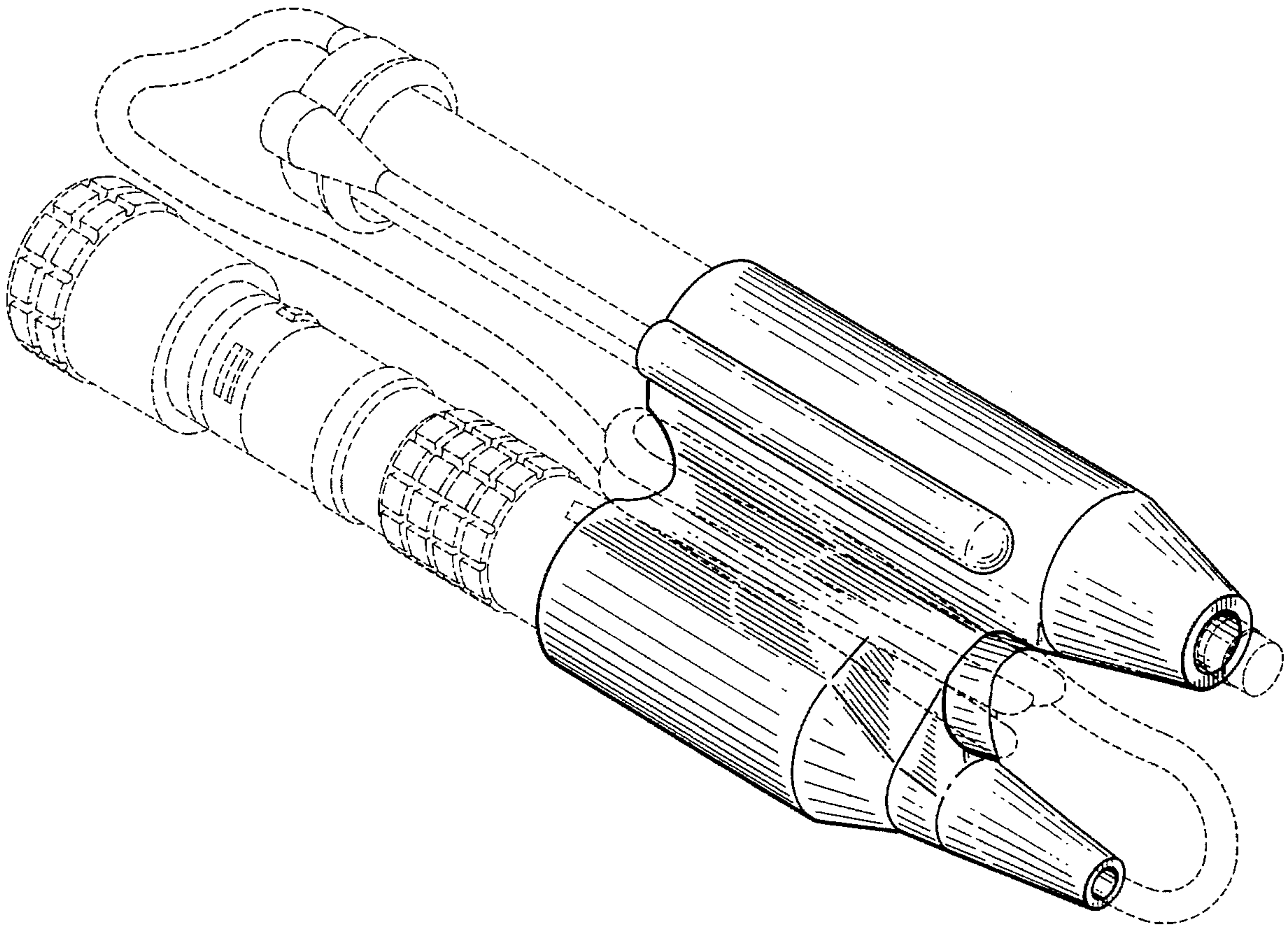
[57] **CLAIM**

The ornamental design for a surgical handpiece holder, as shown and described.

**DESCRIPTION**

FIG. 1 is a perspective view of a surgical handpiece holder showing our new design the broken line showing of the surgical instrument is for illustrative purposes only and forms no part of the claimed design;  
FIG. 2 is a top plan view of the present invention;  
FIG. 3 is a bottom plan view of the present invention;  
FIG. 4 is a rear elevational view of the present invention;  
FIG. 5 is a front elevational view of the present invention;  
FIG. 6 is a right side view of the present invention; and,  
FIG. 7 is a left side view of the present invention.

**1 Claim, 3 Drawing Sheets**



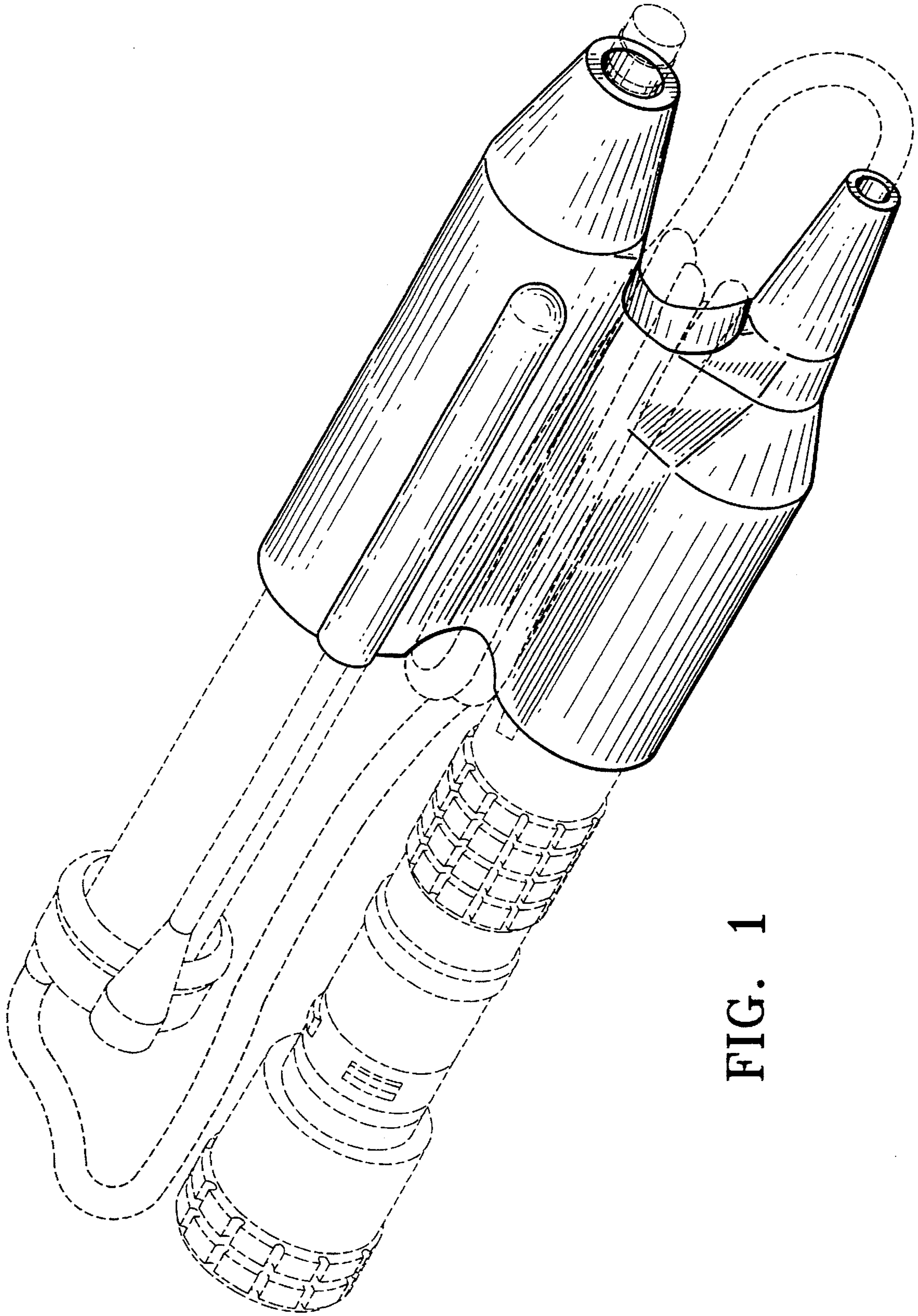


FIG. 1



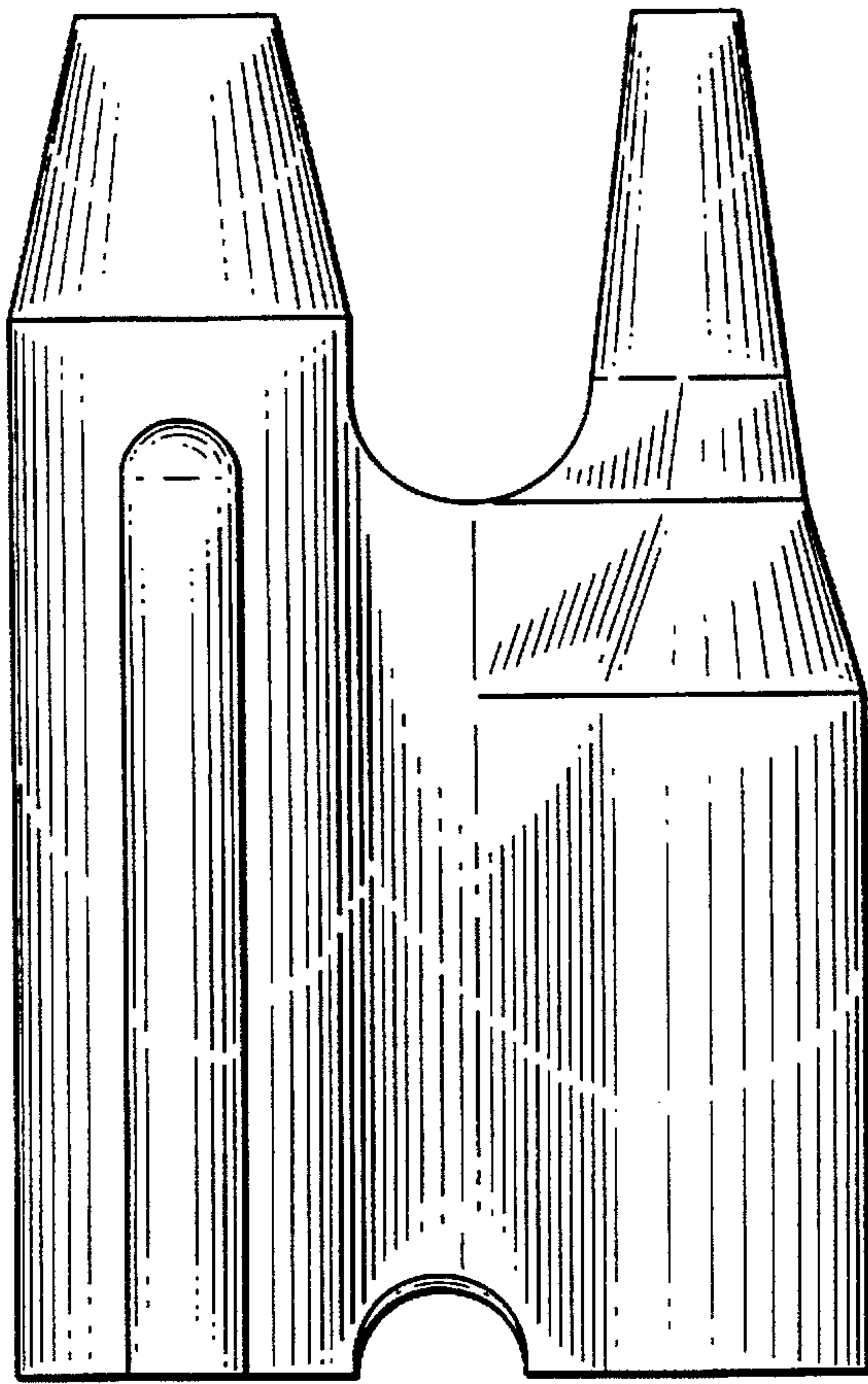


FIG. 2

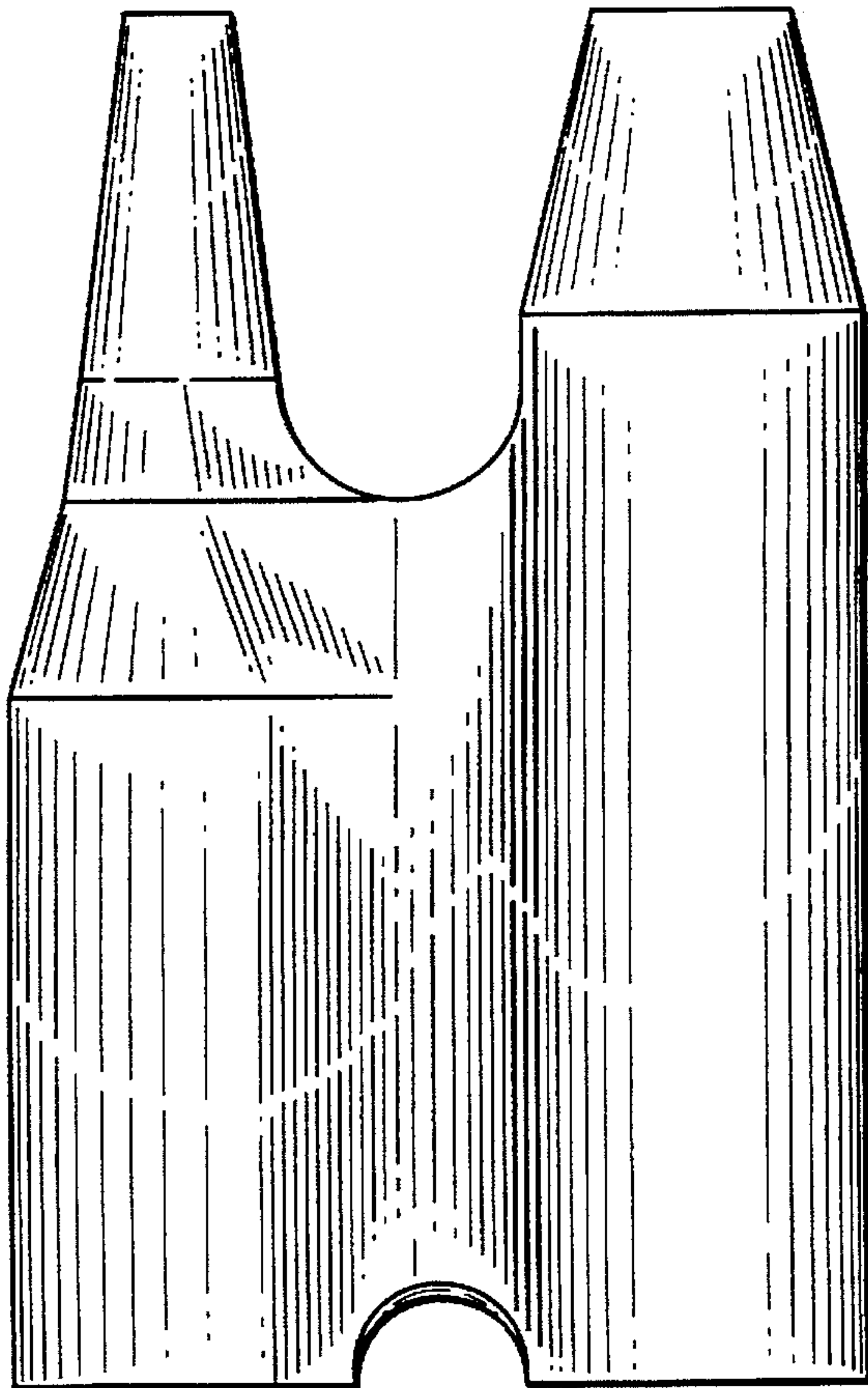


FIG. 3

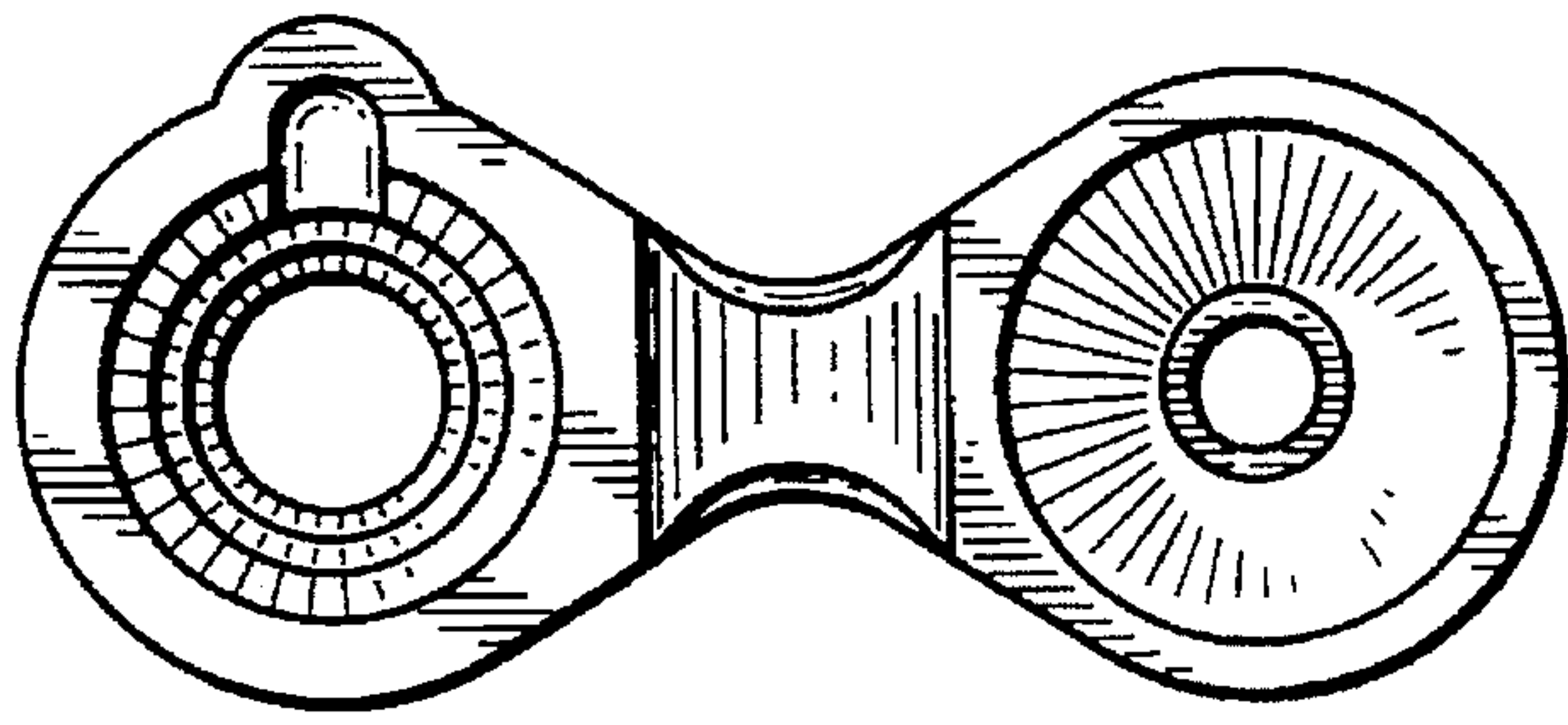


FIG. 4

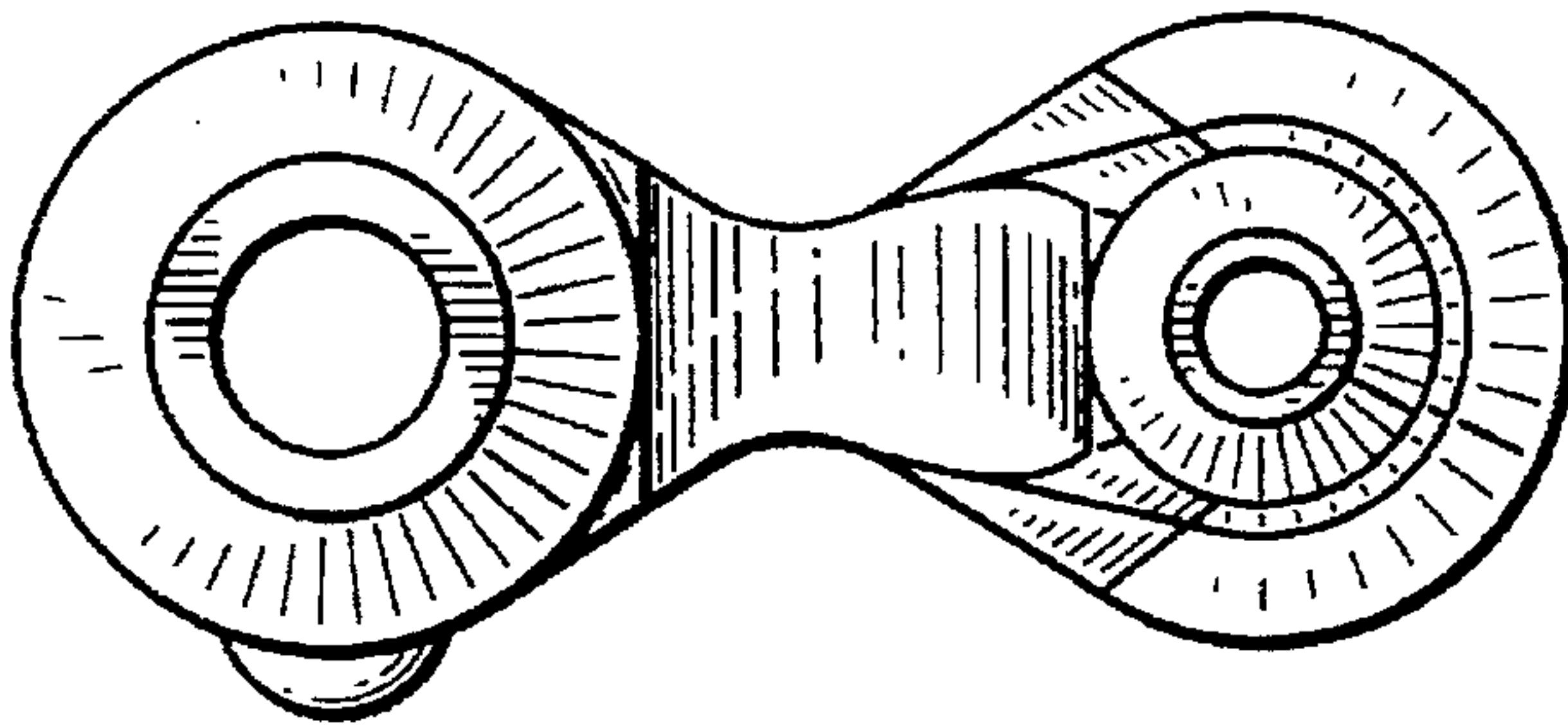


FIG. 5

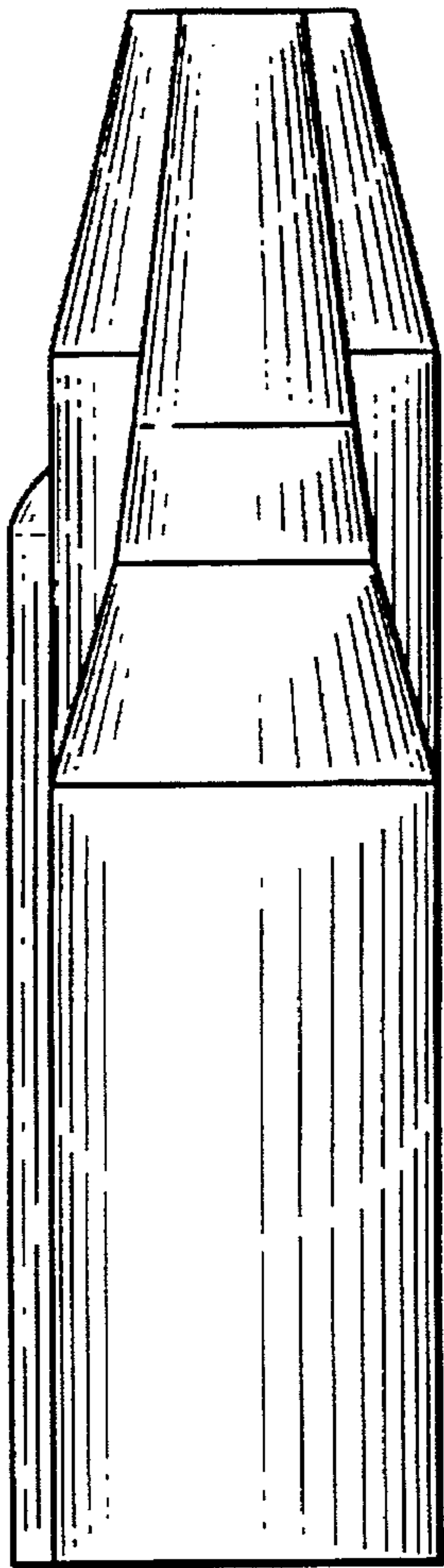


FIG. 6

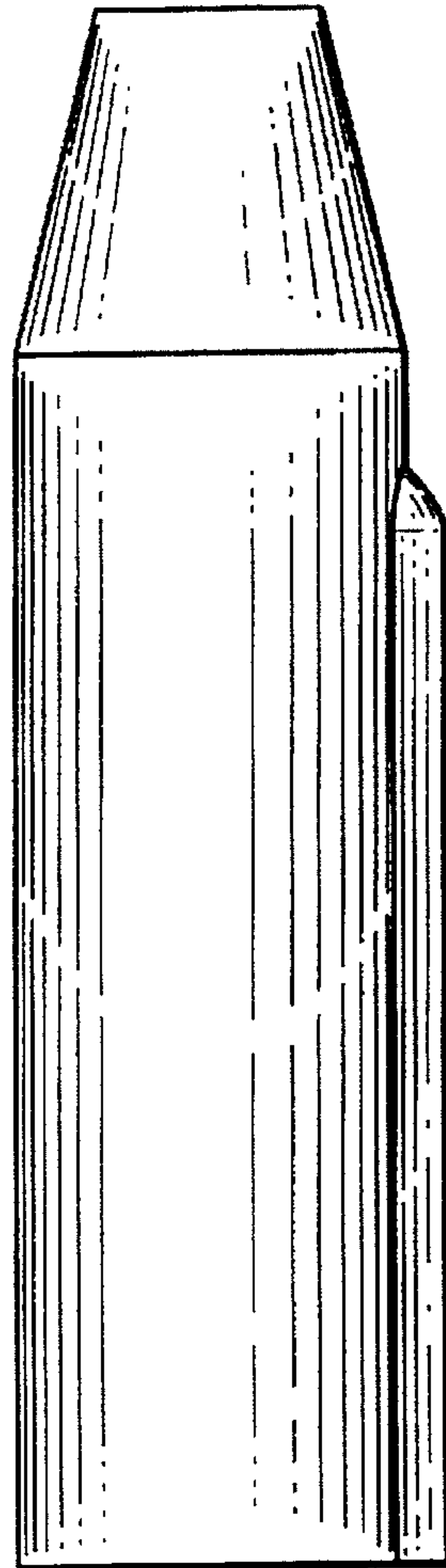


FIG. 7