



US00D381419S

United States Patent [19]

Musgrave et al.

[11] Patent Number: **Des. 381,419**

[45] Date of Patent: ****Jul. 22, 1997**

[54] **SINGLE LUMEN CATHETER**

[75] Inventors: **Kenneth C. Musgrave; Glade H. Howell**, both of Sandy; **Christopher N. Cindrich**, Provo, all of Utah

[73] Assignee: **Becton Dickinson and Company**, Franklin Lakes, N.J.

[**] Term: **14 Years**

[21] Appl. No.: **50,896**

[22] Filed: **Feb. 29, 1996**

[51] LOC (6) Cl. **24-02**

[52] U.S. Cl. **D24/112; D24/108; D24/129; D24/133**

[58] Field of Search **D24/129, 112, D24/133, 130, 108; 604/264, 263, 280, 283, 174, 177, 180, 256, 164, 284**

[56] **References Cited**

U.S. PATENT DOCUMENTS

D. 303,712 9/1989 Goldberg D24/129

4,106,506	8/1978	Koehn et al.	604/283
5,149,330	9/1992	Brightbill	604/280
5,192,274	3/1993	Bierman	604/180
5,403,291	4/1995	Abrahamson	604/264
5,405,341	4/1995	Martin	604/284

Primary Examiner—Louis S. Zarfaz
Assistant Examiner—Gregory Andoli
Attorney, Agent, or Firm—Eric M. Lee, Esq.

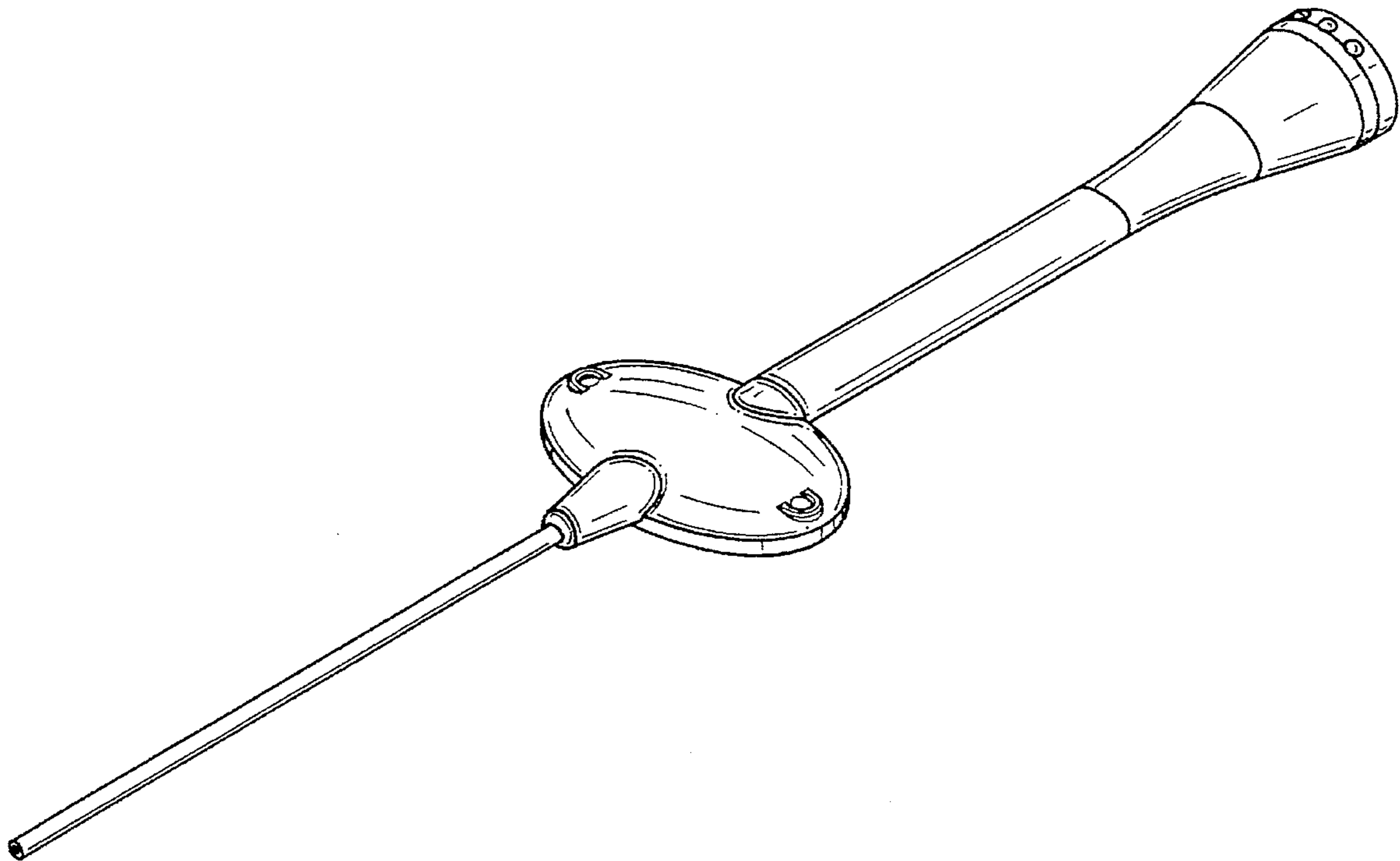
[57] **CLAIM**

The ornamental design of a single lumen catheter, as shown and described.

DESCRIPTION

FIG. 1 is a perspective view of a single lumen catheter showing our new design;
FIG. 2 is a front end elevational view thereof;
FIG. 3 is a rear end elevational view thereof;
FIG. 4 is a top plan view thereof;
FIG. 5 is a side elevational view thereof; and,
FIG. 6 is a bottom plan view thereof, the other side being a mirror image.

1 Claim, 2 Drawing Sheets



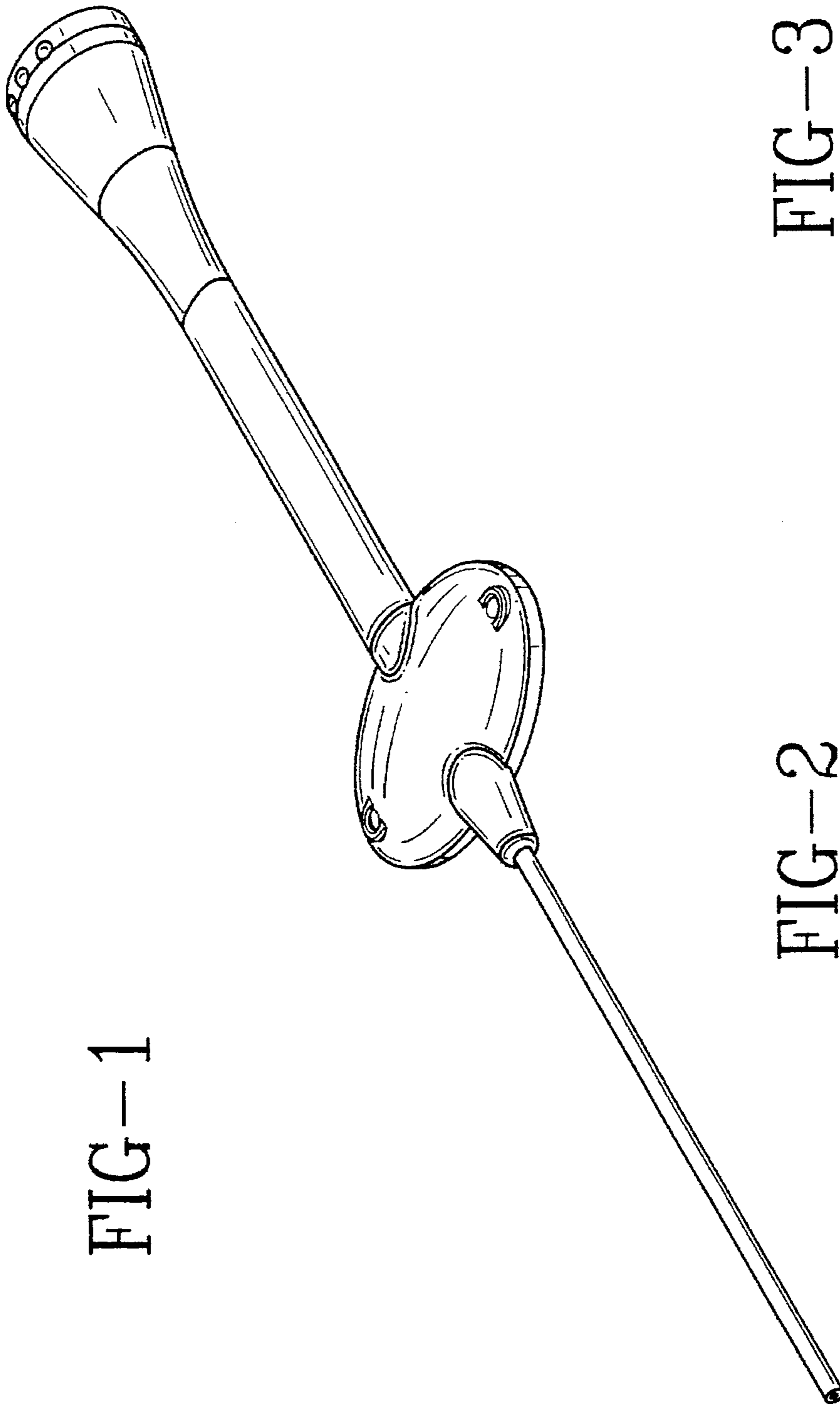


FIG-1

FIG-2

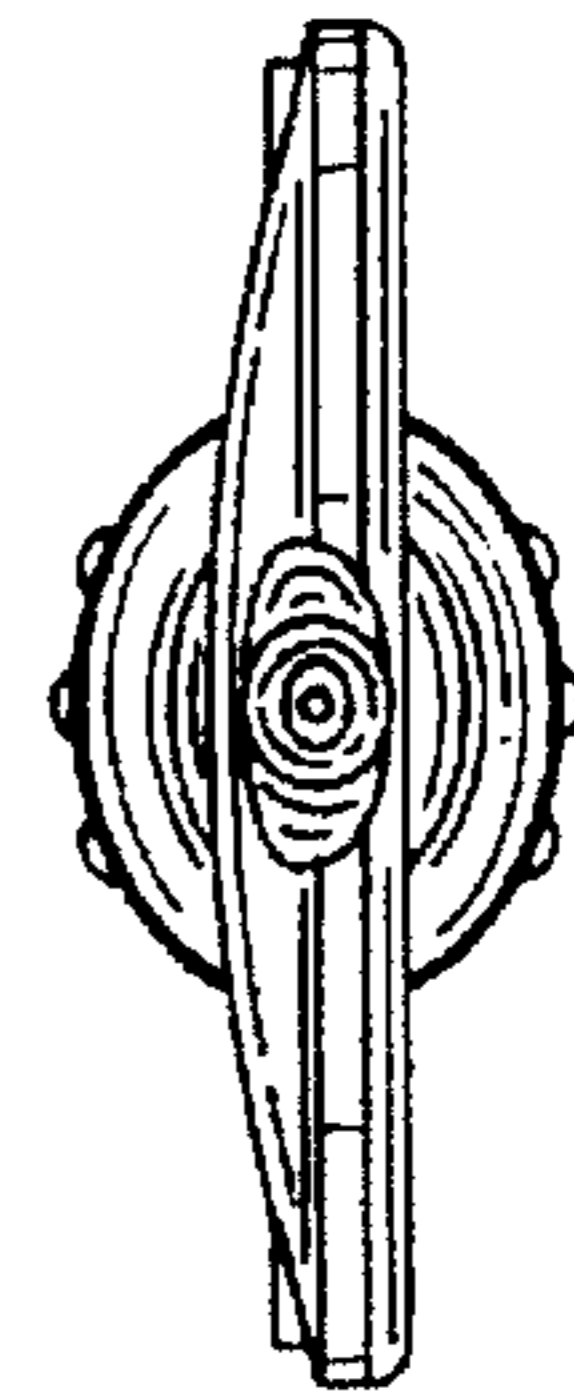


FIG-3

