



US00D381416S

United States Patent [19]

Hansson et al.

[11] Patent Number: Des. 381,416

[45] Date of Patent: **Jul. 22, 1997

[54] UNIT DOSE INHALER

5,239,991 8/1993 Chawla et al. .

5,533,505 7/1996 Kallstrand et al. 128/203.21 X

[75] Inventors: **Ulf Henri Hansson**, Dösjebro; **Roger Mårten Lassing**, Lund; **Richard Lindahl**, Malmö, all of Sweden

FOREIGN PATENT DOCUMENTS

0404454 6/1990 European Pat. Off. .

558879A1 9/1993 European Pat. Off. .

WO89/01348 2/1989 WIPO .

WO92/04069 3/1992 WIPO .

WO93/17728 9/1993 WIPO .

[73] Assignee: **Astra Aktiebolag**, Sodertalje, Sweden

[**] Term: **14 Years**

Primary Examiner—Louis S. Zarfes

Assistant Examiner—I. Simmons

Attorney, Agent, or Firm—Fish & Richardson, P.C.

[21] Appl. No.: **50,072**

[22] Filed: **Feb. 8, 1996**

[51] LOC (6) Cl. **24-04**

[52] U.S. Cl. **D24/110**

[58] Field of Search D24/110, 110.5;
128/203.21, 200.23, 203.15, 203.12, 204.13,
203.19

[57] CLAIM

The ornamental design for a unit dose inhaler, as shown and described.

DESCRIPTION

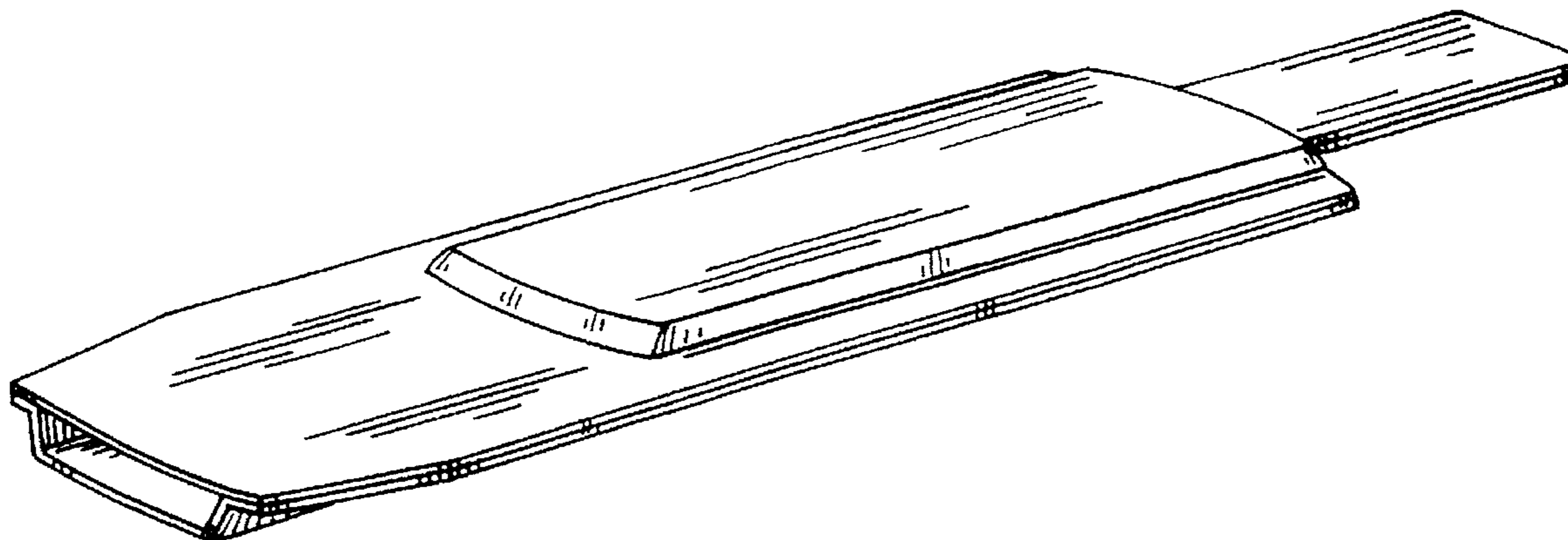
The FIG. 1 is a perspective view of the unit dose inhaler; The FIG. 2 is a side elevation view from one side thereof; The FIG. 3 is a top plane view thereof; The FIG. 4 is a side elevation view from the other side thereof; The FIG. 5 is a end view of one end thereof; The FIG. 6 is a end view of the other end thereof; and, The FIG. 7 is a bottom plane view thereof.

[56] References Cited

U.S. PATENT DOCUMENTS

- D. 350,821 9/1994 Wright et al. D24/110
- 2,549,303 4/1951 Friden .
- 4,265,236 5/1981 Pacella .
- 4,811,731 3/1989 Newell et al. .
- 4,817,800 4/1989 Williams et al. .
- 4,841,964 6/1989 Hurka et al. .
- 5,035,237 7/1991 Newell et al. .
- 5,042,472 8/1991 Bunin .

1 Claim, 2 Drawing Sheets



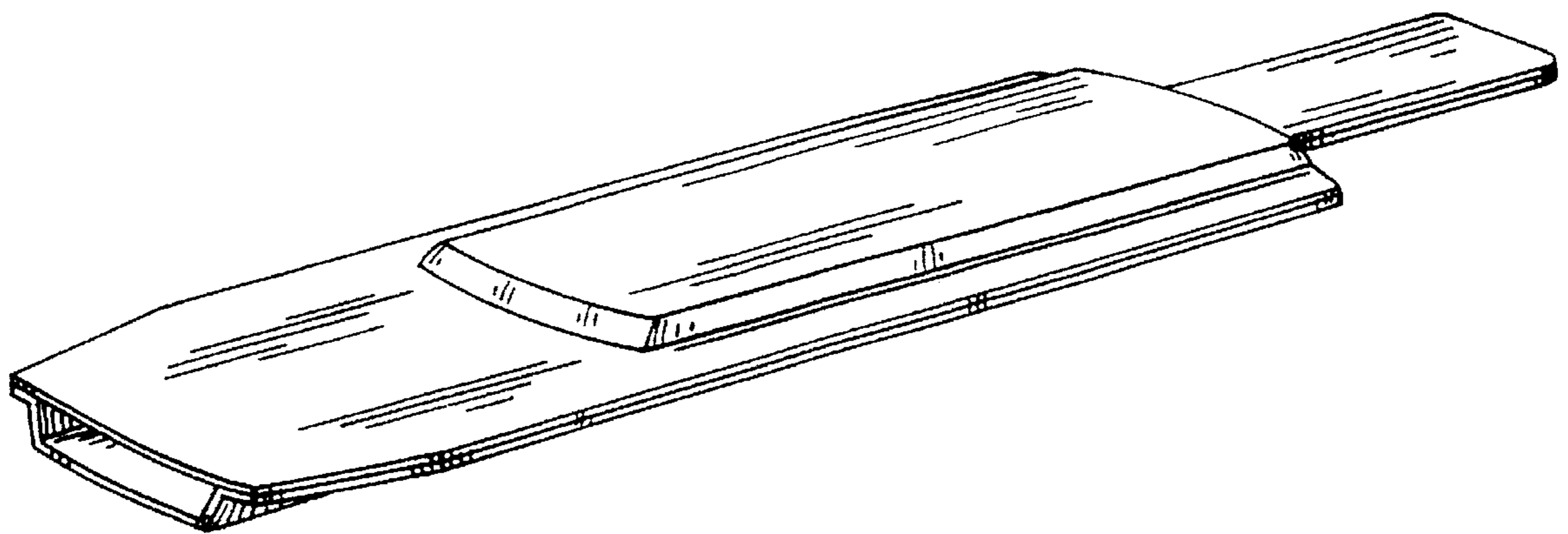
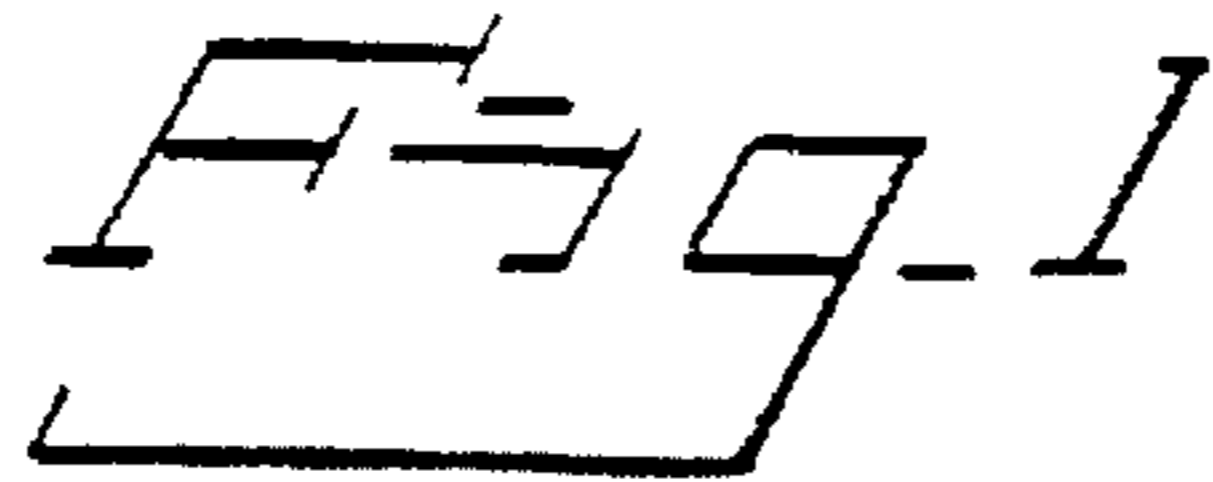


Fig. 2

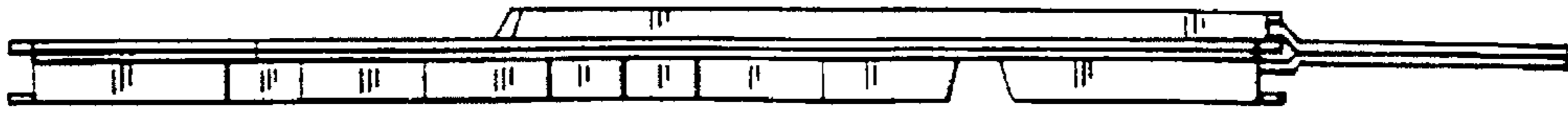


Fig. 3

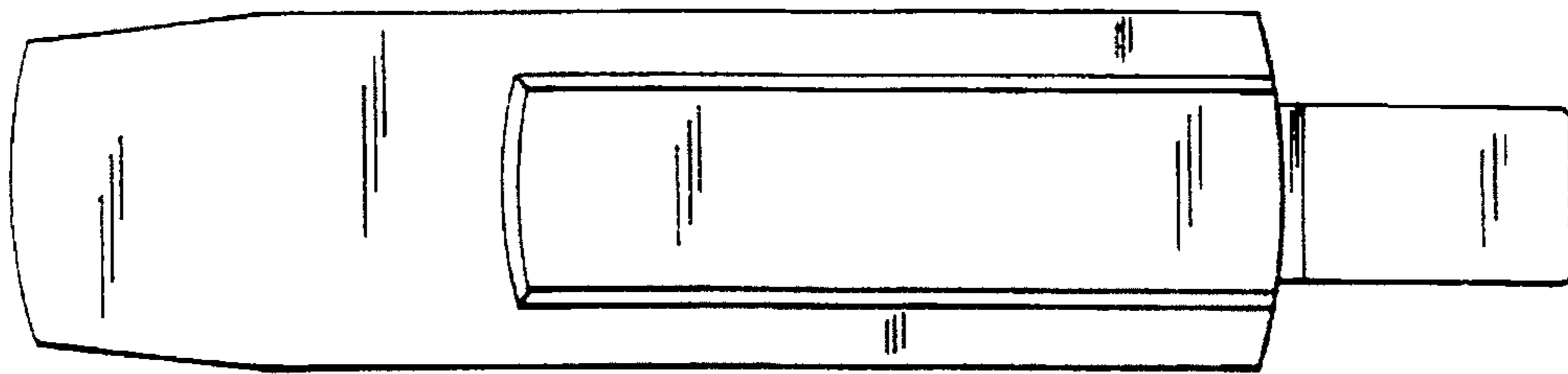


Fig. 4

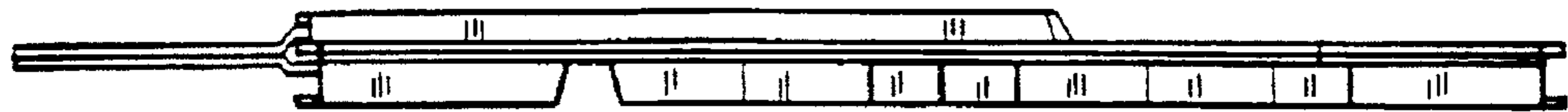


Fig. 5



Fig. 6



Fig. 7

