



US00D381415S

United States Patent [19]

Iddon et al.

[11] Patent Number: **Des. 381,415**

[45] Date of Patent: ****Jul. 22, 1997**

[54] **MEDICAL NEBULIZER**

[75] Inventors: **Barry Iddon, Jeannette; Matthew D. Smith, Berlin, both of Pa.**

[73] Assignee: **DeVilbiss Health Care, Inc., Somerset, Pa.**

[**] Term: **14 Years**

[21] Appl. No.: **49,889**

[22] Filed: **Feb. 2, 1996**

[51] LOC (6) Cl. **24-02**

[52] U.S. Cl. **D24/110**

[58] Field of Search D24/110; 128/205.25, 128/204.21, 200.74, 200.24, 200.16, 200.1, 200.17, 203.27; D23/356

[56] **References Cited**

U.S. PATENT DOCUMENTS

D. 338,268 8/1993 Kobayashi et al. D24/110

D. 362,906 10/1995 Chiu et al. D23/356
D. 366,314 1/1996 Kaizaki et al. D24/110

Primary Examiner—Louis S. Zarfes

Assistant Examiner—I. Simmons

Attorney, Agent, or Firm—MacMillan, Sobanski & Todd

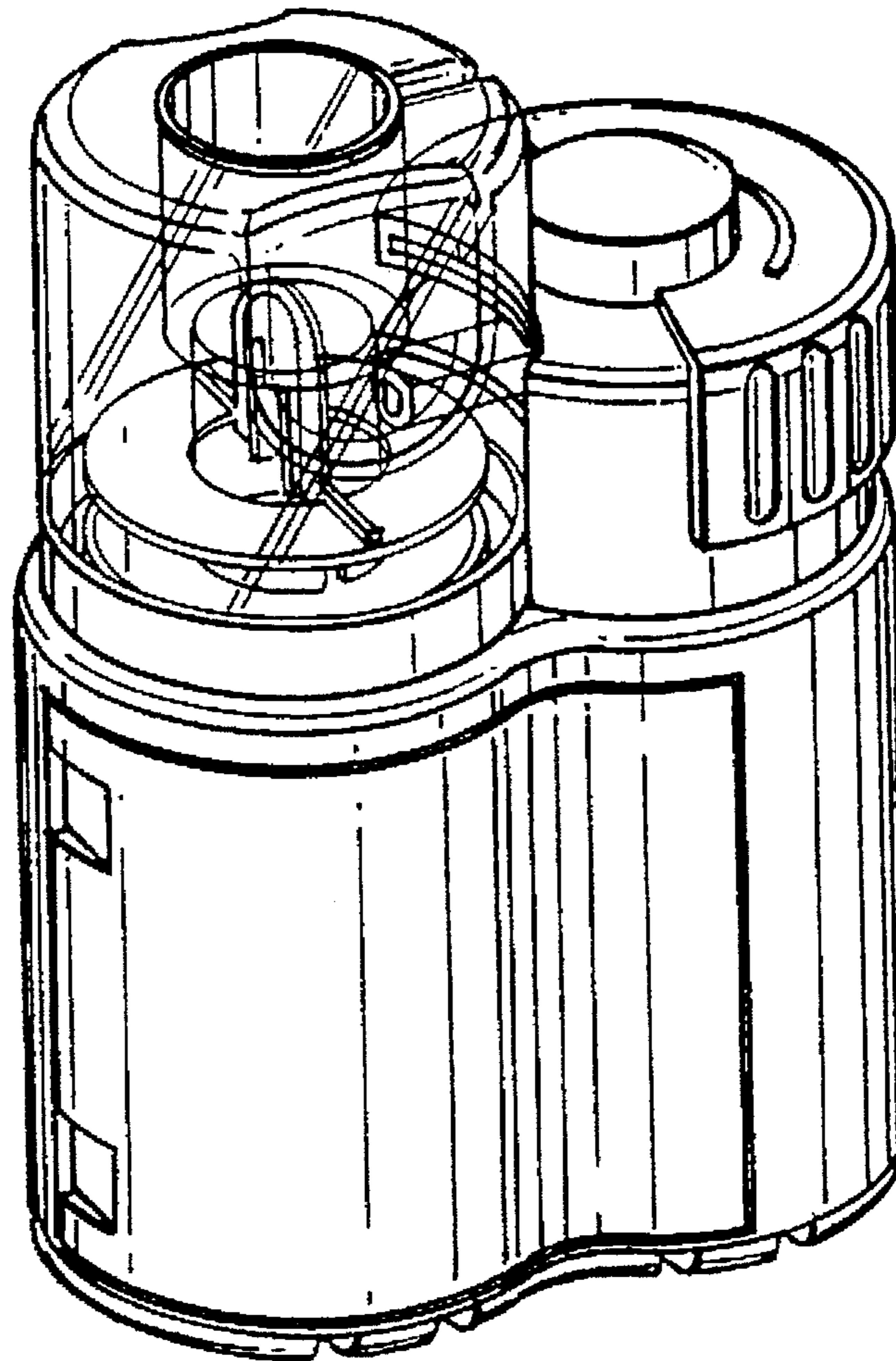
[57] **CLAIM**

The ornamental design for a medical nebulizer, as shown and described.

DESCRIPTION

FIG. 1 is a perspective view as seen from the front right of a medical nebulizer showing our new design; FIG. 2 is a front side view thereof; FIG. 3 is right side view thereof; FIG. 4 is a rear side view thereof; FIG. 5 is a left side view thereof; FIG. 6 is a top plan view thereof; and, FIG. 7 is a bottom view thereof.

1 Claim, 3 Drawing Sheets



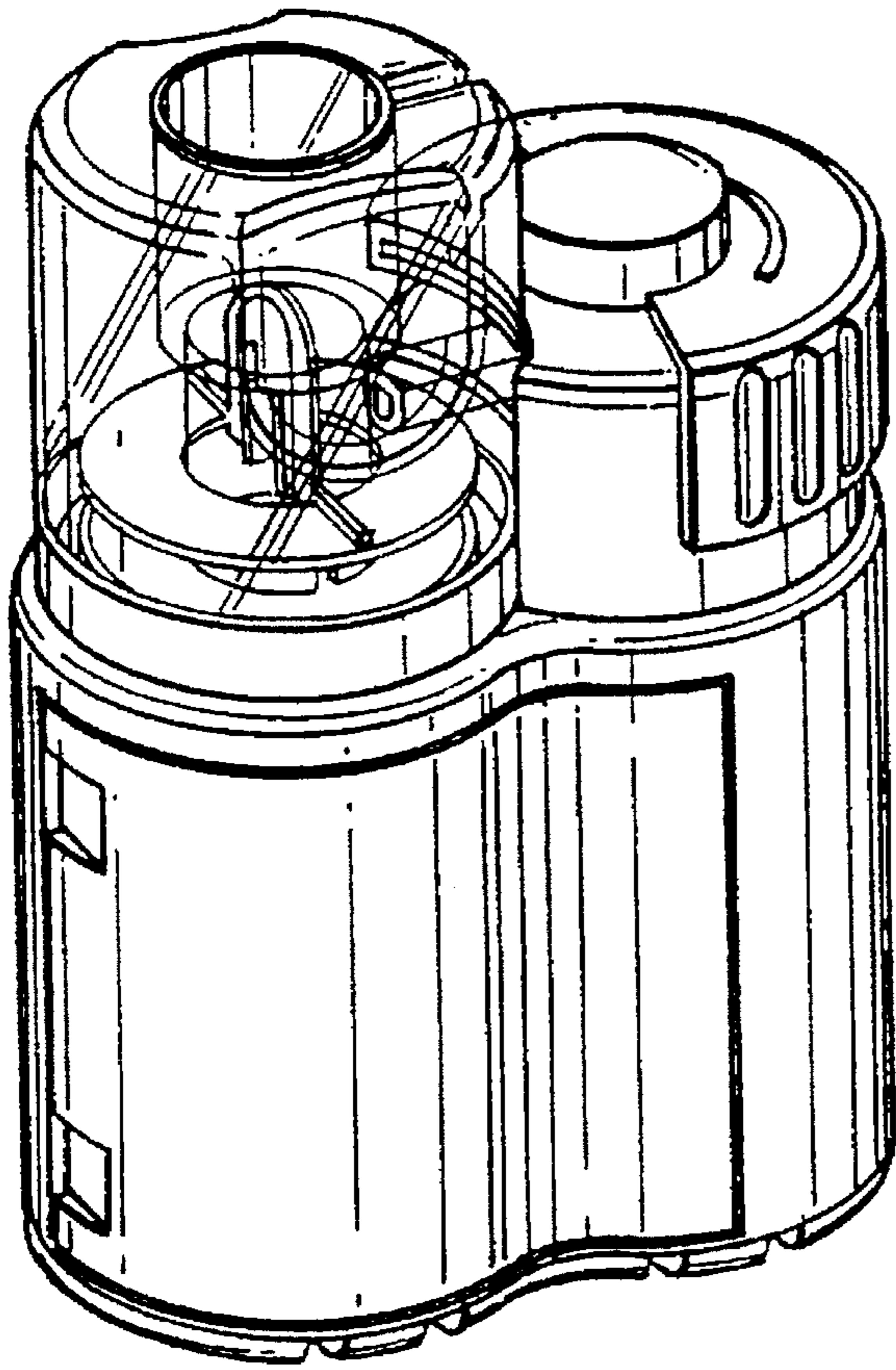


FIG. 1

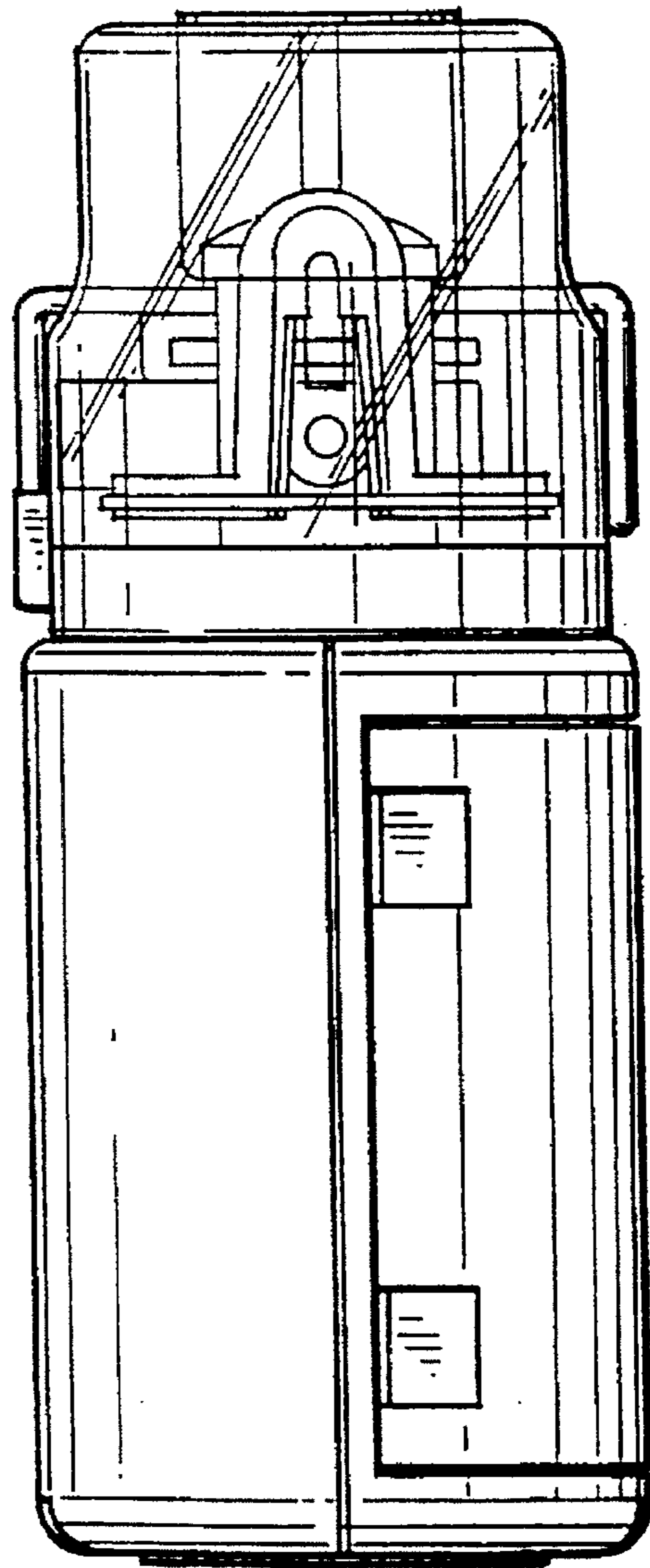


FIG. 2

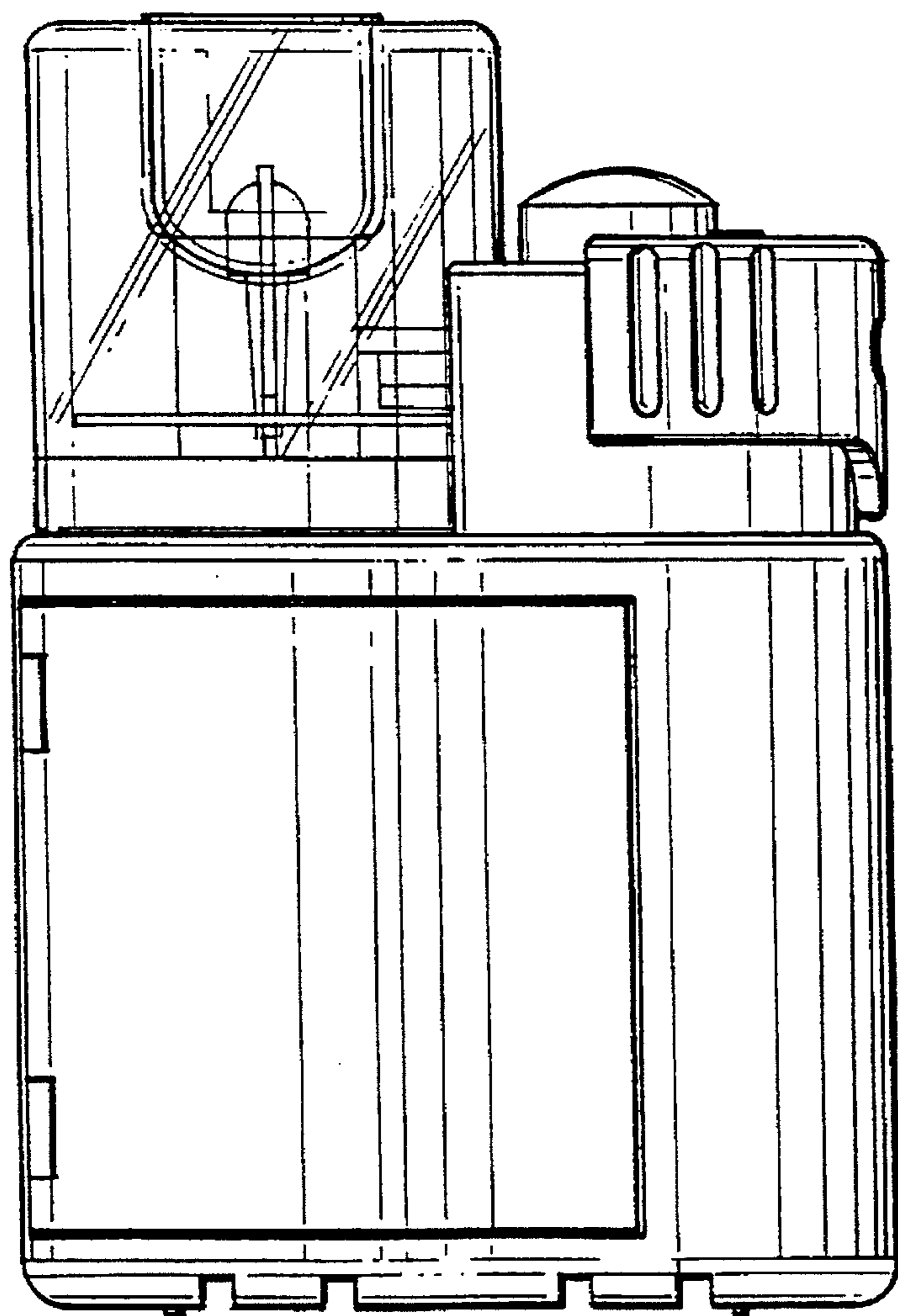


FIG. 3

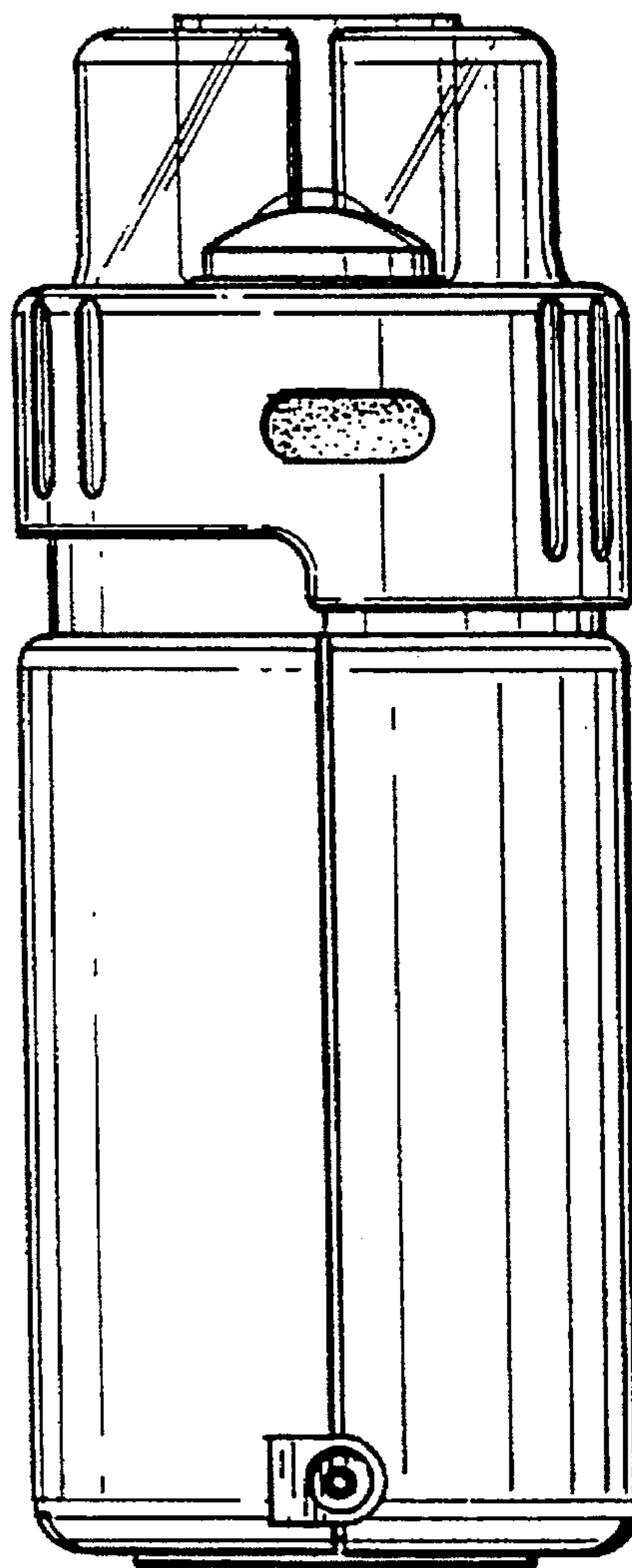


FIG. 4

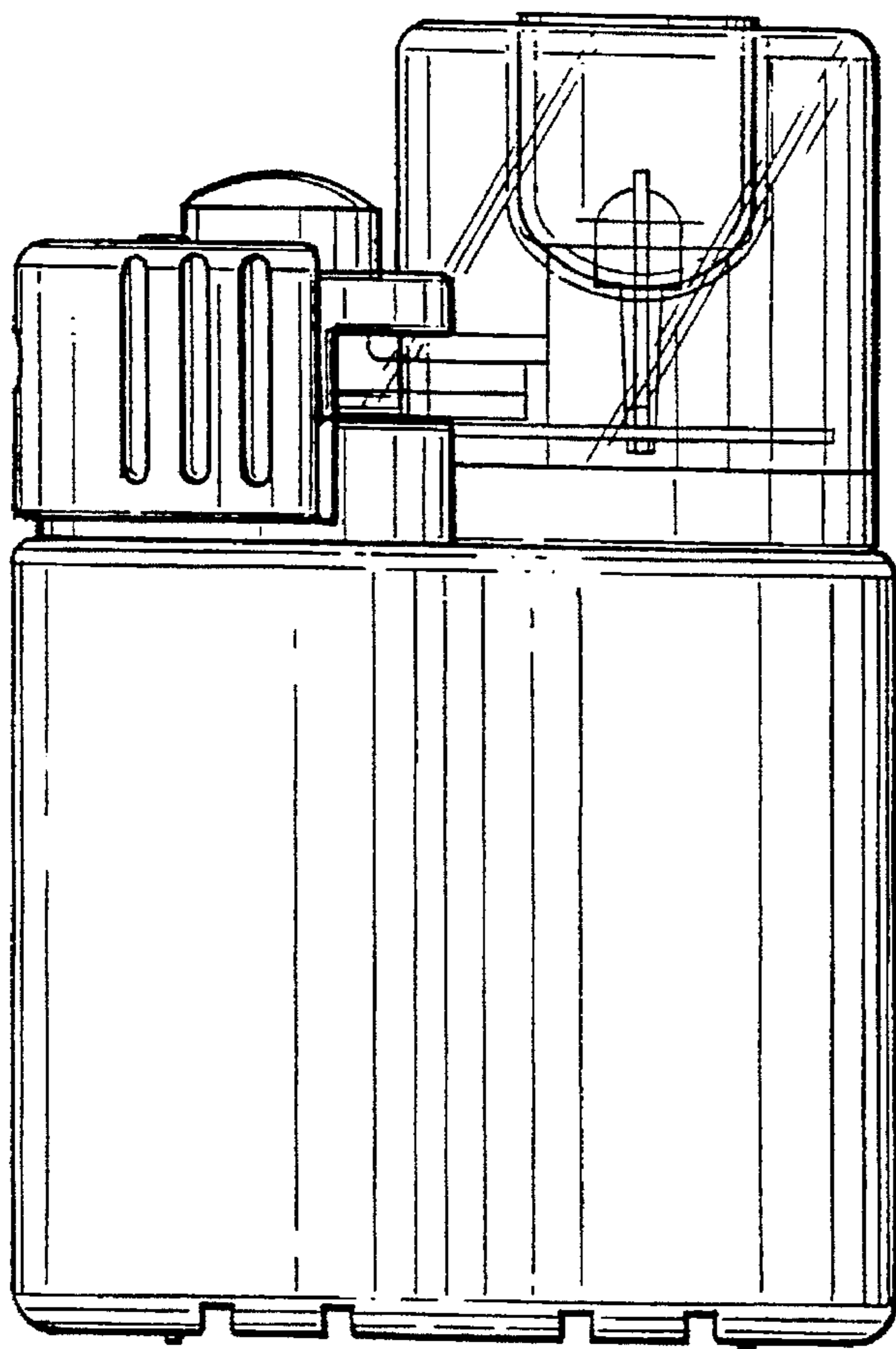


FIG. 5

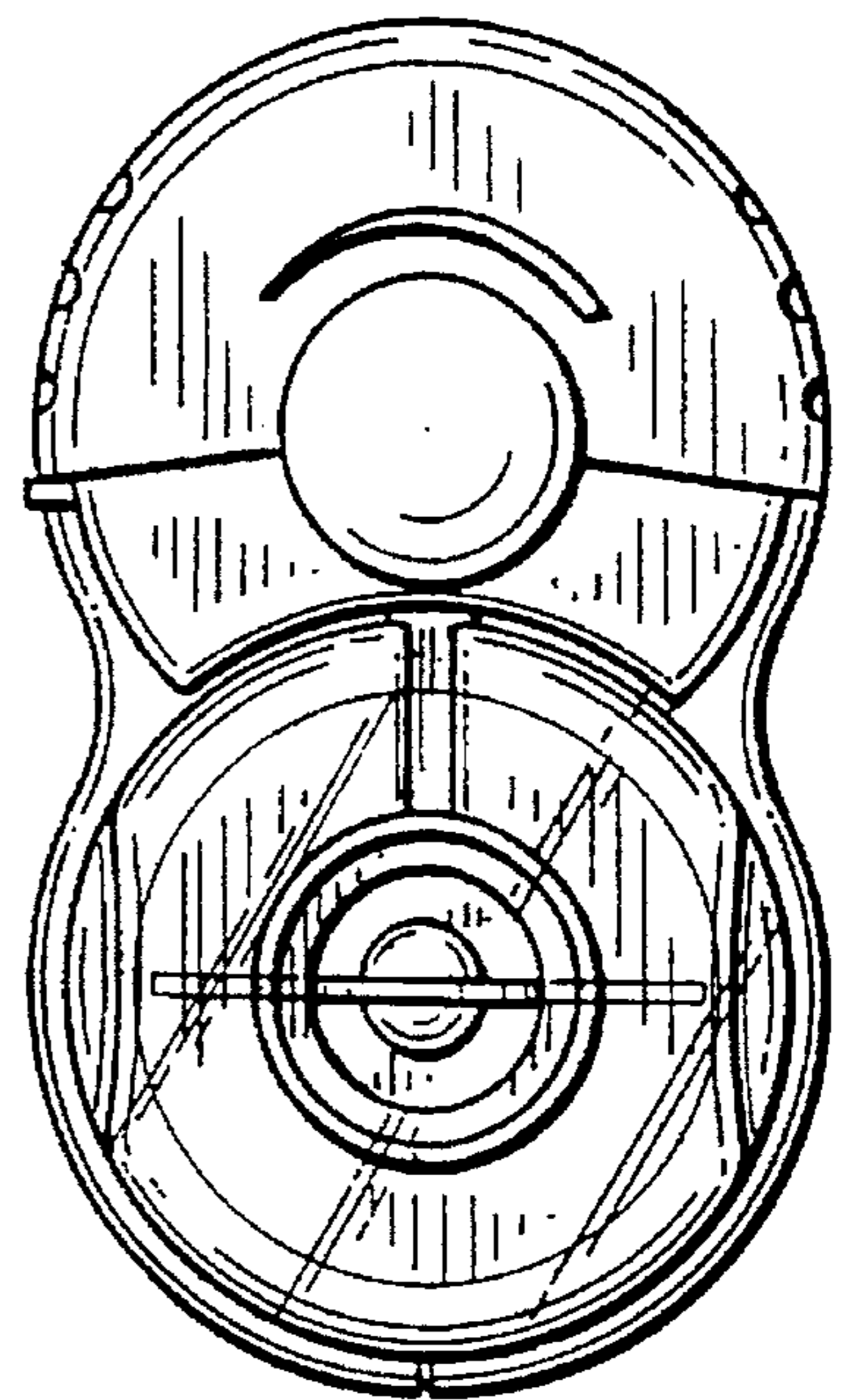


FIG. 6

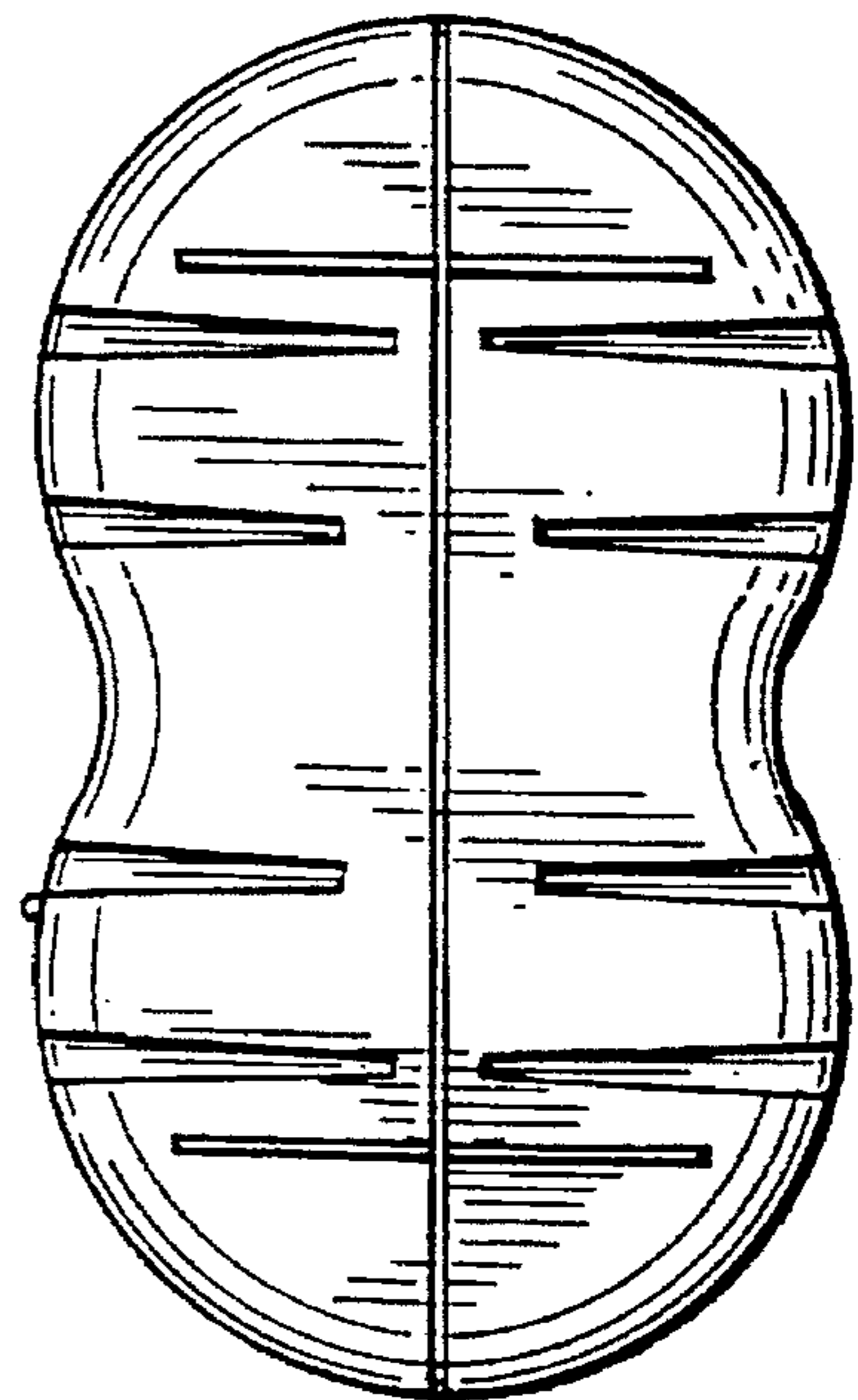


FIG. 7