



US00D381412S

United States Patent [19]
Rimback

[11] **Patent Number: Des. 381,412**
[45] **Date of Patent: **Jul. 22, 1997**

[54] **HEAT REFLECTOR**

[75] Inventor: **Peter Rimback**, Village of Oakwood, Ohio

[73] Assignee: **Hanover Catalog Holdings, Inc.**, Weehawken, N.J.

[**] Term: **14 Years**

[21] Appl. No.: **46,810**

[22] Filed: **Nov. 10, 1995**

[51] LOC (6) Cl. **23-03**

[52] U.S. Cl. **D23/403**

[58] Field of Search D23/386, 314, D23/403; 165/55

[56] **References Cited**

U.S. PATENT DOCUMENTS

D. 296,584 7/1988 Hilton D23/386 X
D. 370,058 5/1996 Bostrom D23/386

OTHER PUBLICATIONS

Heat Back™, "Improvements", Holiday 1994, p. 13.

Primary Examiner—Holly Baynham
Attorney, Agent, or Firm—Thompson Hine & Flory LLP

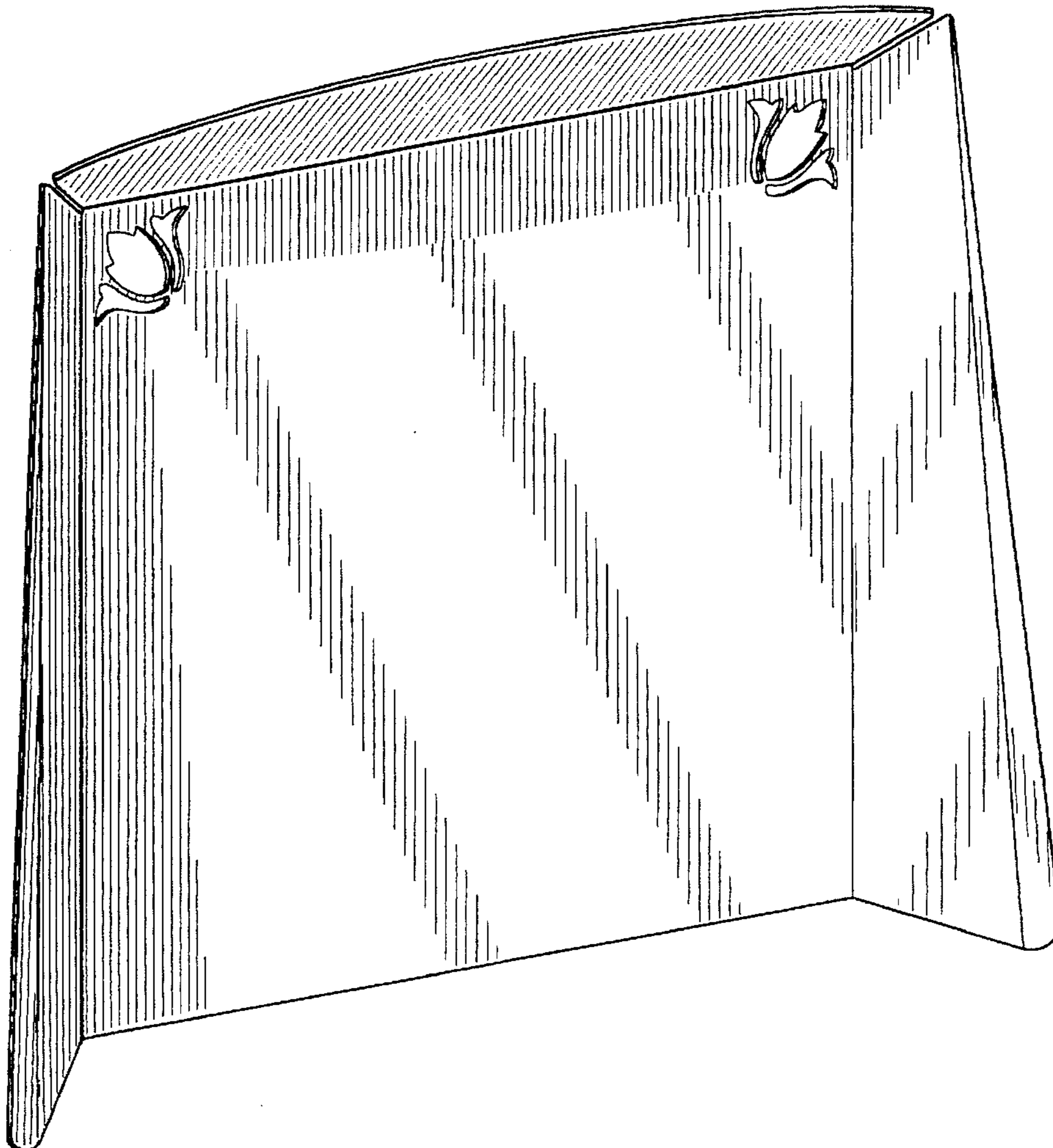
[57] **CLAIM**

The ornamental design for a heat reflector, as shown and described.

DESCRIPTION

FIG. 1 is a perspective view of my new heat reflector taken from above;
FIG. 2 is a front elevational view thereof;
FIG. 3 is a top plan view thereof;
FIG. 4 is a left side elevational view thereof;
FIG. 5 is a rear elevational view thereof;
FIG. 6 is a right side elevational view thereof; and,
FIG. 7 is a bottom plan view thereof.

1 Claim, 3 Drawing Sheets



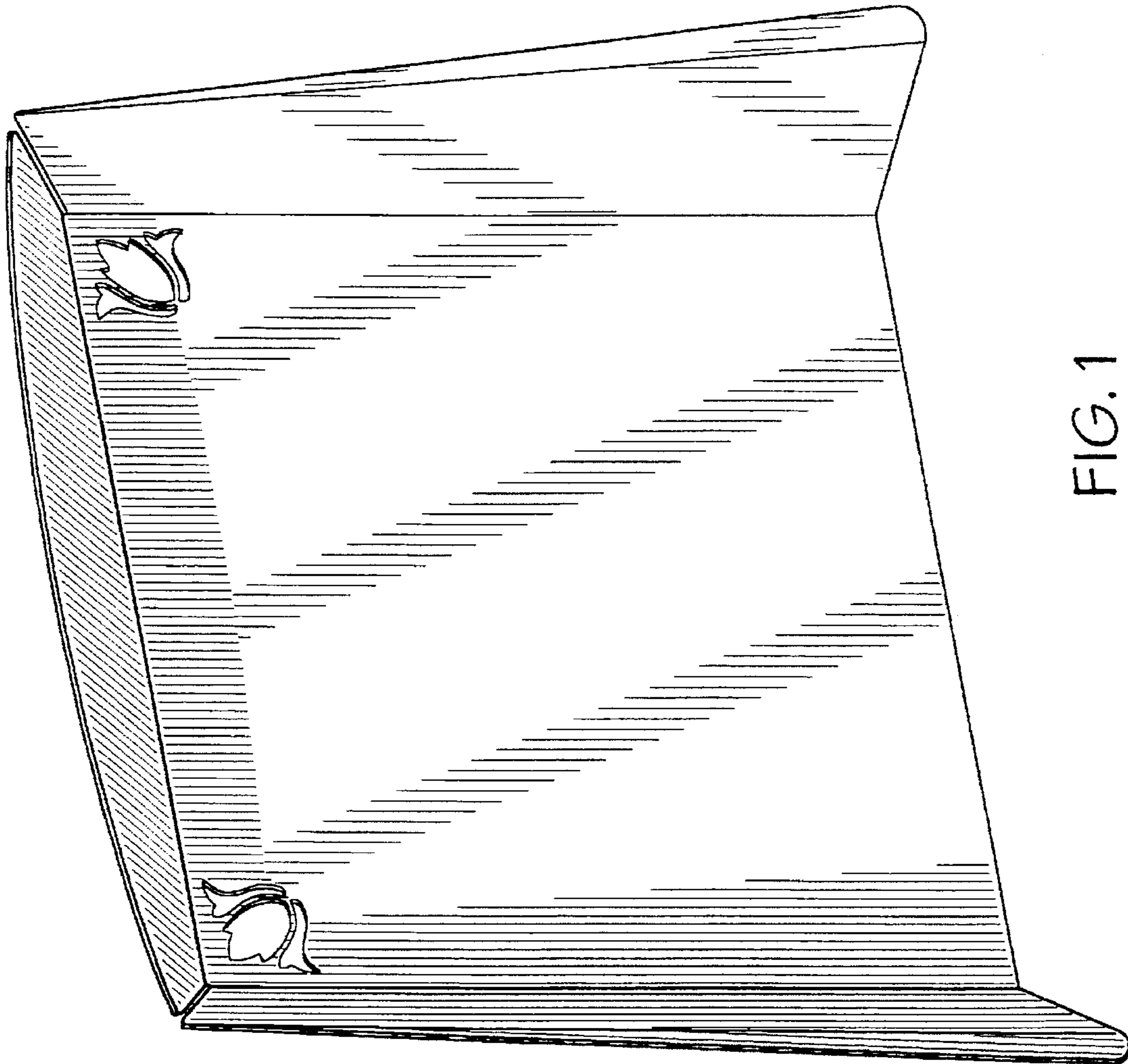


FIG. 1

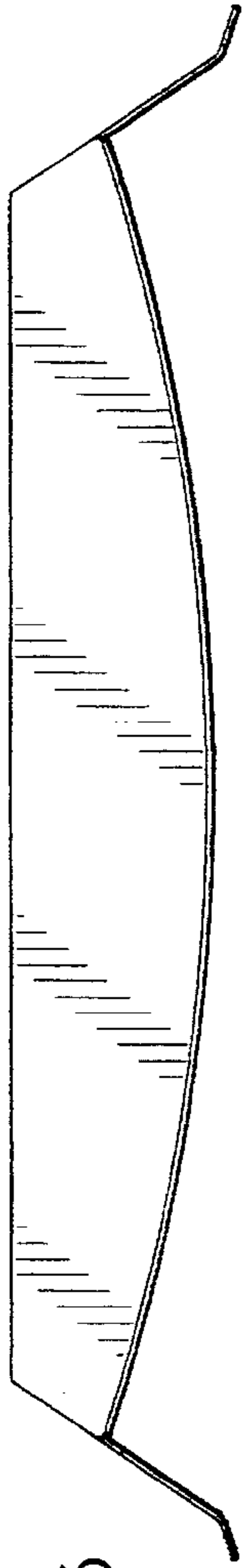


FIG. 3

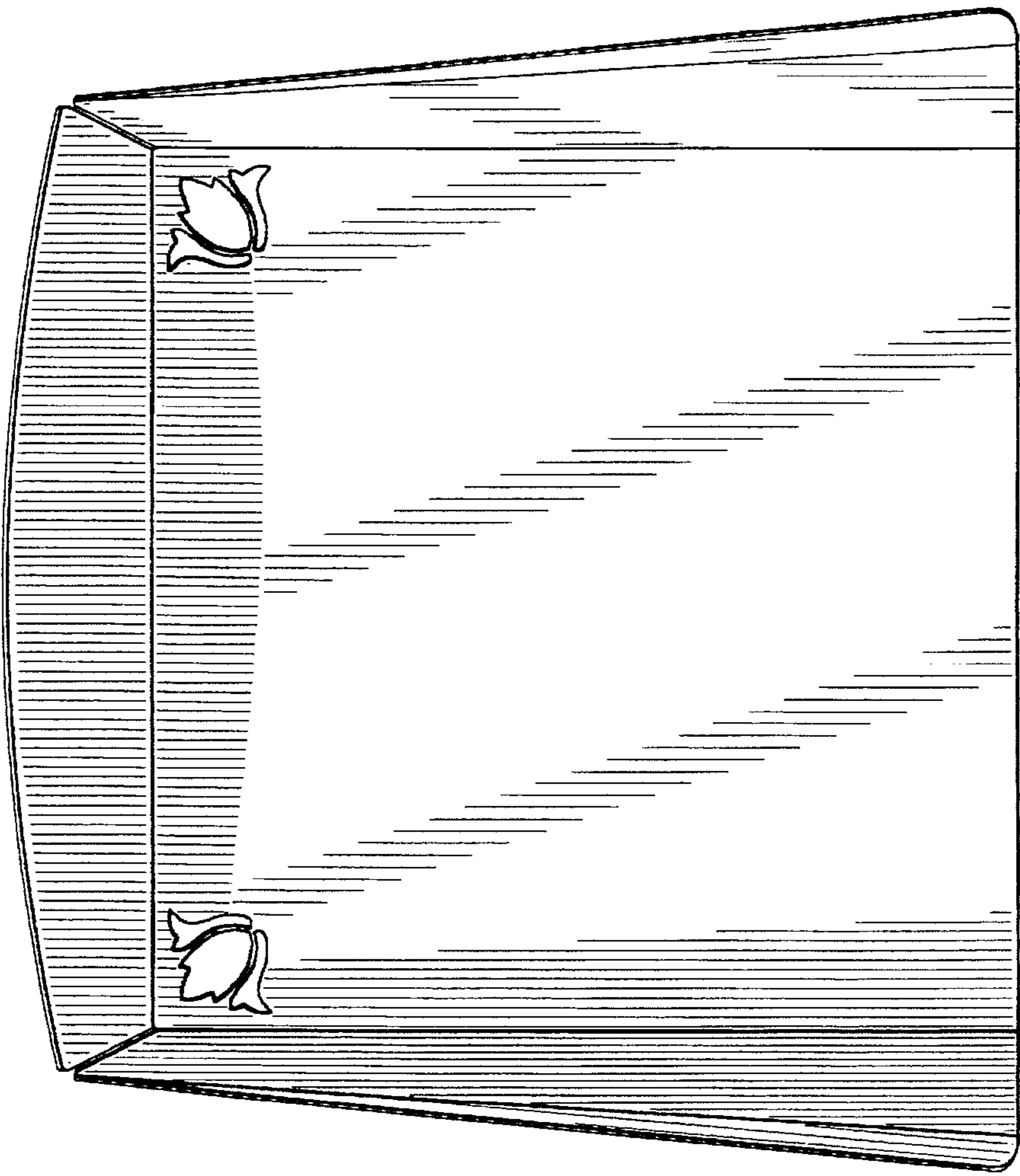


FIG. 2

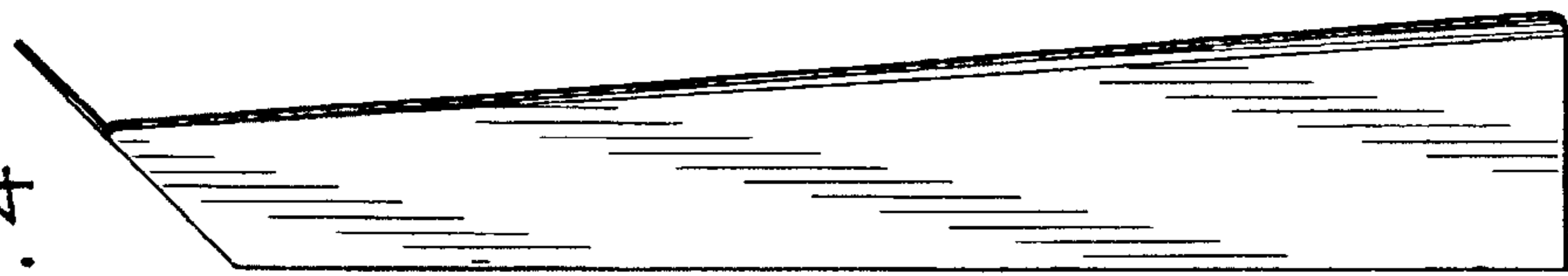


FIG. 4

FIG. 5

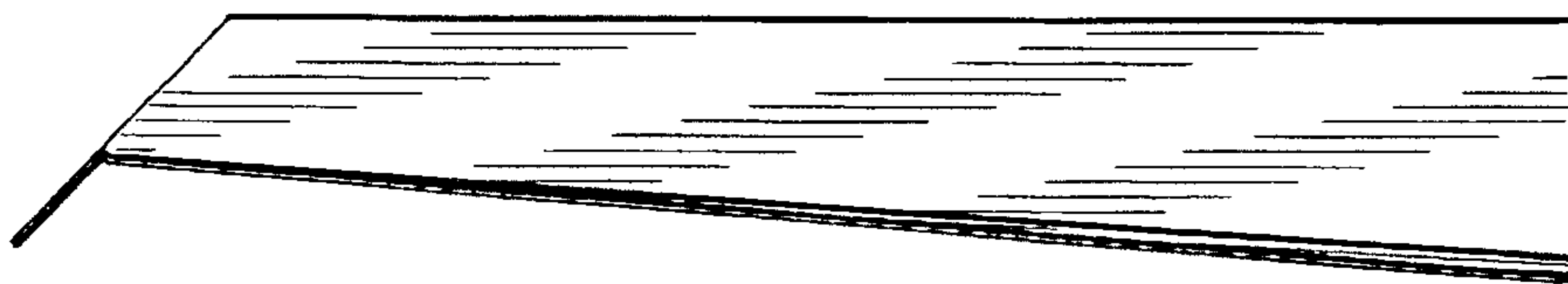
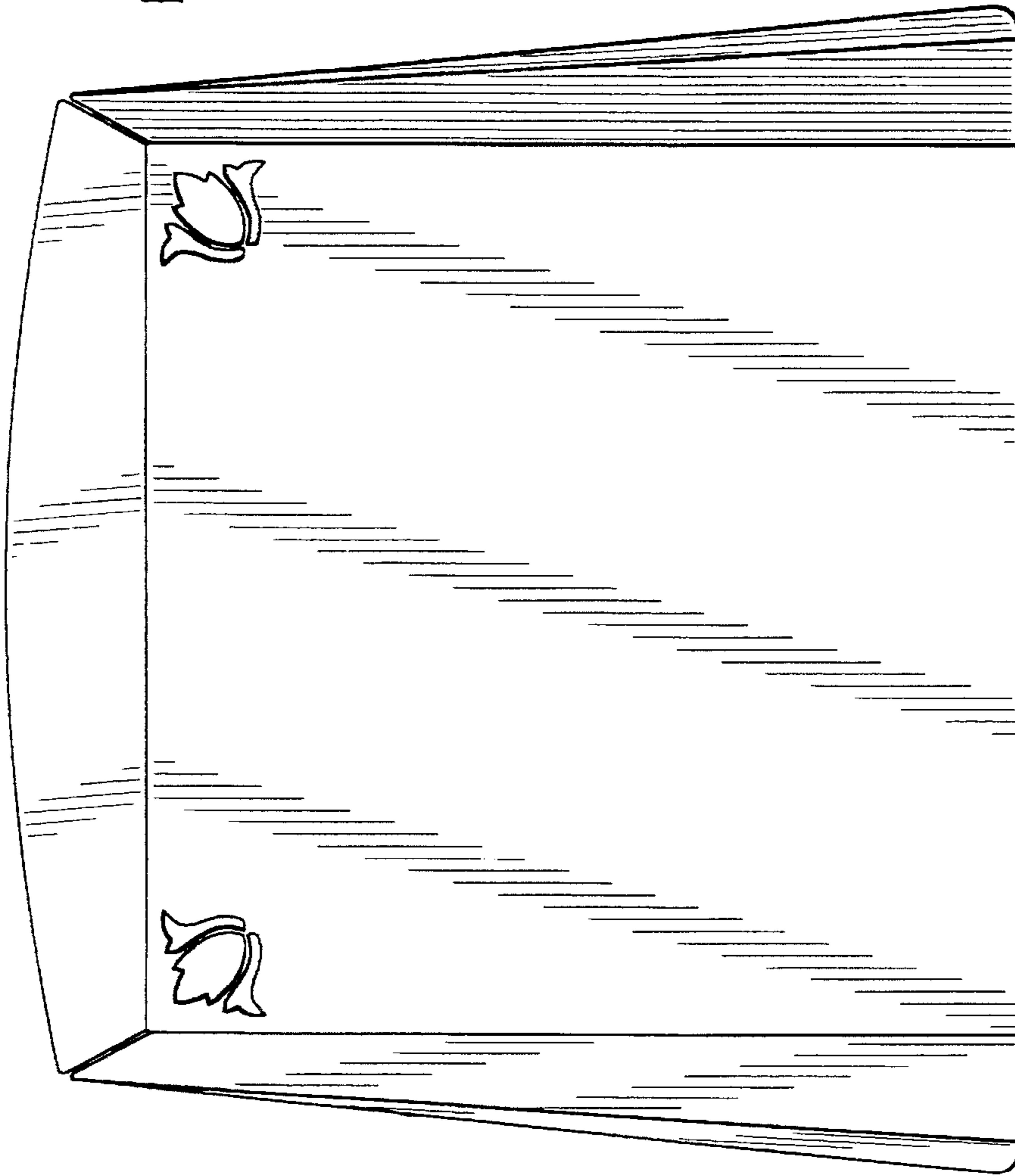


FIG. 6

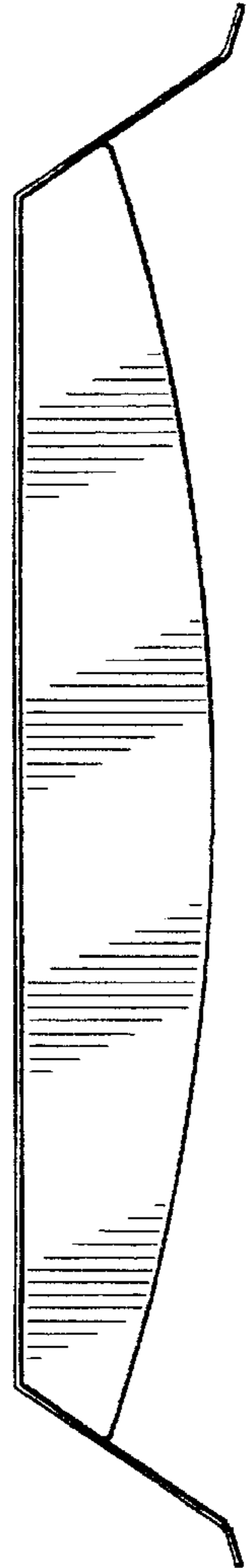


FIG. 7