



US00D381408S

United States Patent [19]

Birsel et al.

[11] Patent Number: **Des. 381,408**

[45] Date of Patent: ****Jul. 22, 1997**

[54] **WATER CLOSET**

D. 271,326 11/1983 Doman et al. D23/301
2,558,680 6/1951 Groff 4/331

[75] Inventors: **Ayse Birsel; Koichi Watanabe**, both of Kitakyushu, Japan

Primary Examiner—Louis S. Zarfes

Assistant Examiner—Eric Watterson

[73] Assignee: **Toto Ltd.**, Fukuoka-ken, Japan

Attorney, Agent, or Firm—Finnegan, Henderson, Farabow, Garrett & Dunner, L.L.P.

[**] Term: **14 Years**

[57] **CLAIM**

[21] Appl. No.: **41,750**

The ornamental design for a water closet, as shown and described.

[22] Filed: **Jul. 24, 1995**

DESCRIPTION

[30] **Foreign Application Priority Data**

Jan. 25, 1995 [JP] Japan 1627/1995

FIG. 1 is a front elevational view of a water closet embodying our design;

[51] **LOC (6) Cl.** **23-02**

FIG. 2 is a top plan view thereof;

[52] **U.S. Cl.** **D23/301**

FIG. 3 is a rear elevational view thereof;

[58] **Field of Search** D23/295, 299-301; 4/328, 329, 353, 421, 424, 349, 430

FIG. 4 is a bottom plan view thereof;

FIG. 5 is a right elevational view thereof, the left elevational view being a mirror image of the right view;

[56] **References Cited**

FIG. 6 is a cross-sectional view thereof taken along line 6-6 in FIG. 1; and,

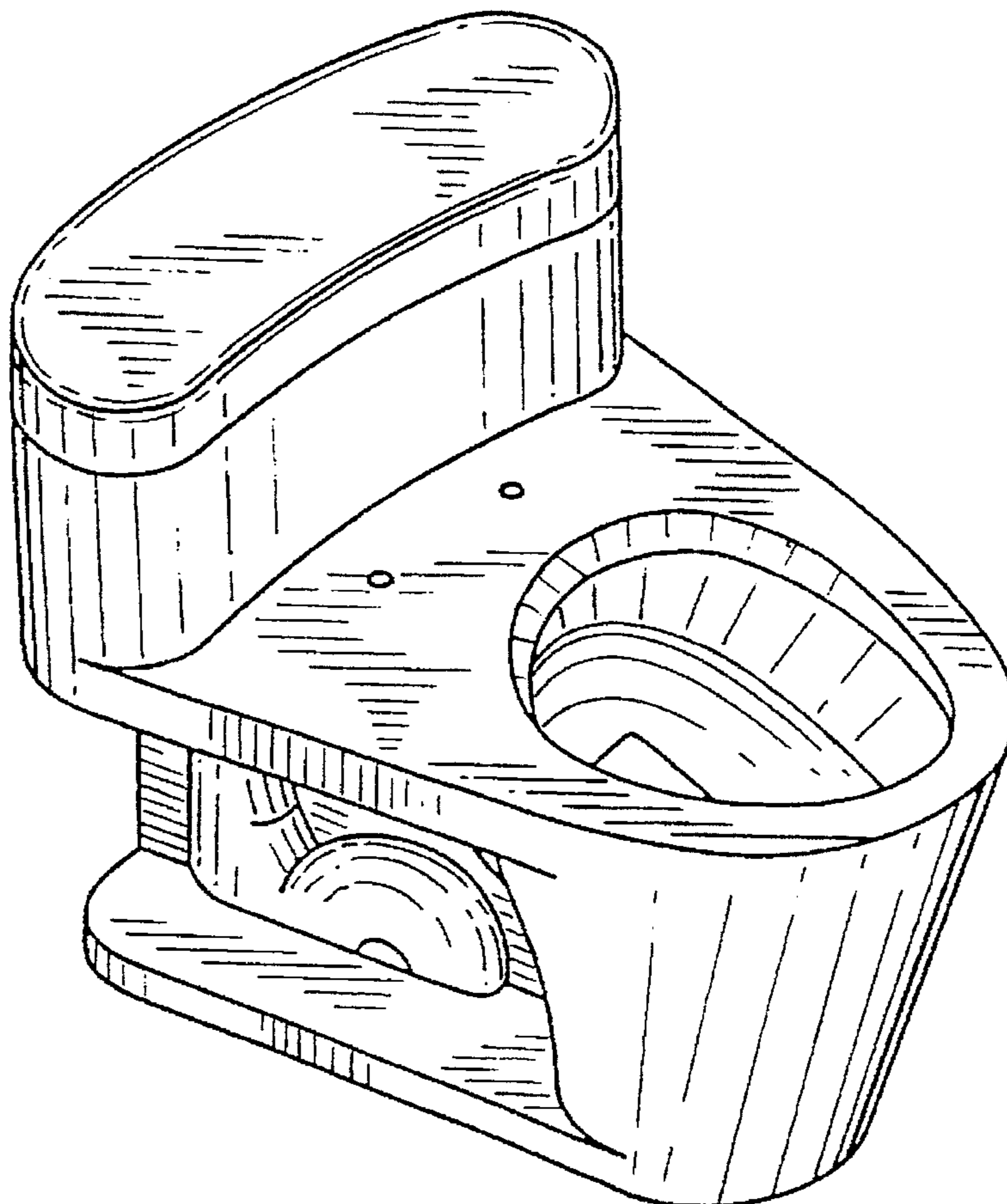
U.S. PATENT DOCUMENTS

FIG. 7 is a perspective view thereof.

D. 185,643 7/1959 Magid D23/301

D. 268,780 4/1983 Doman et al. D23/301

1 Claim, 4 Drawing Sheets



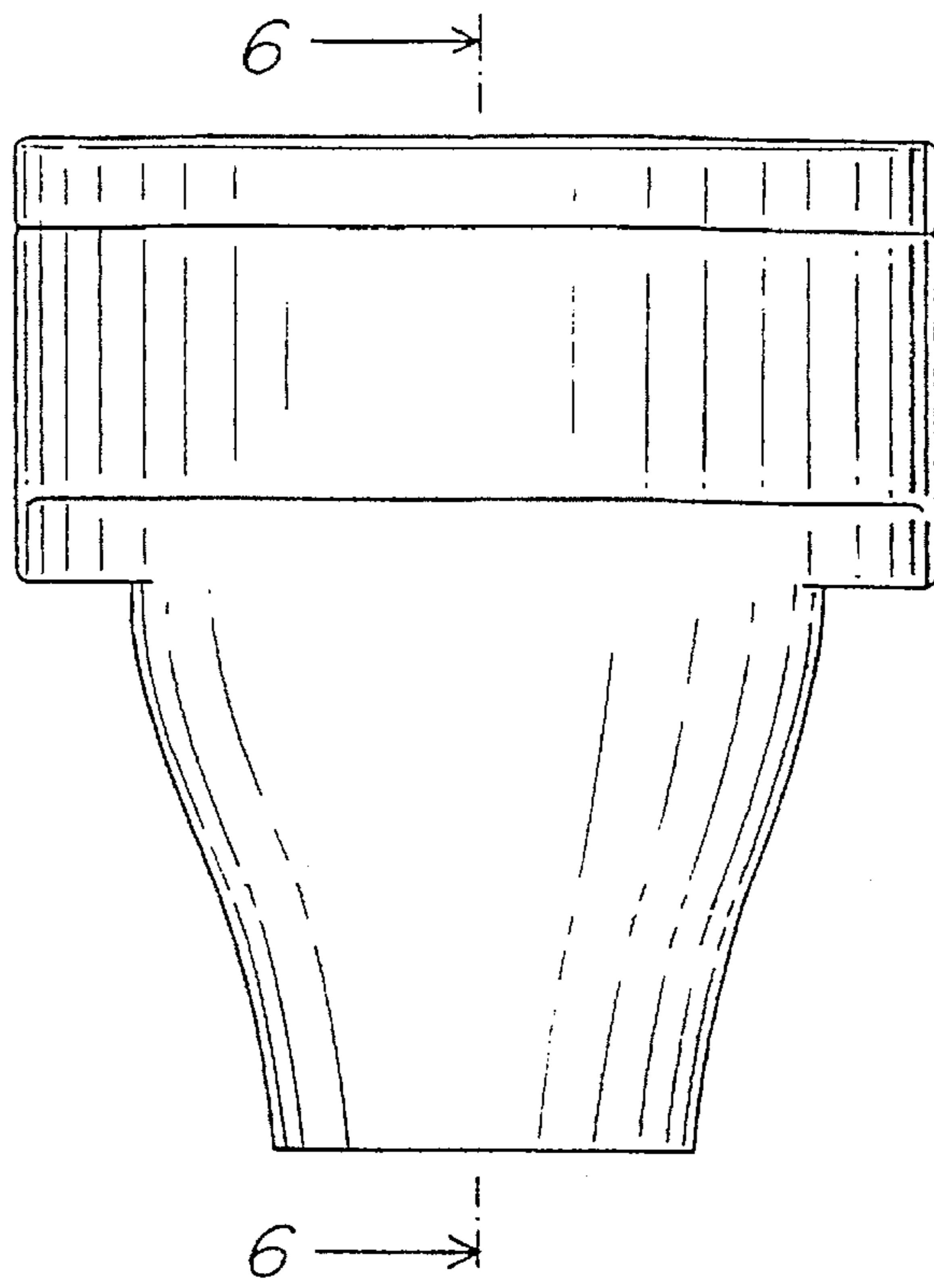


Figure 1

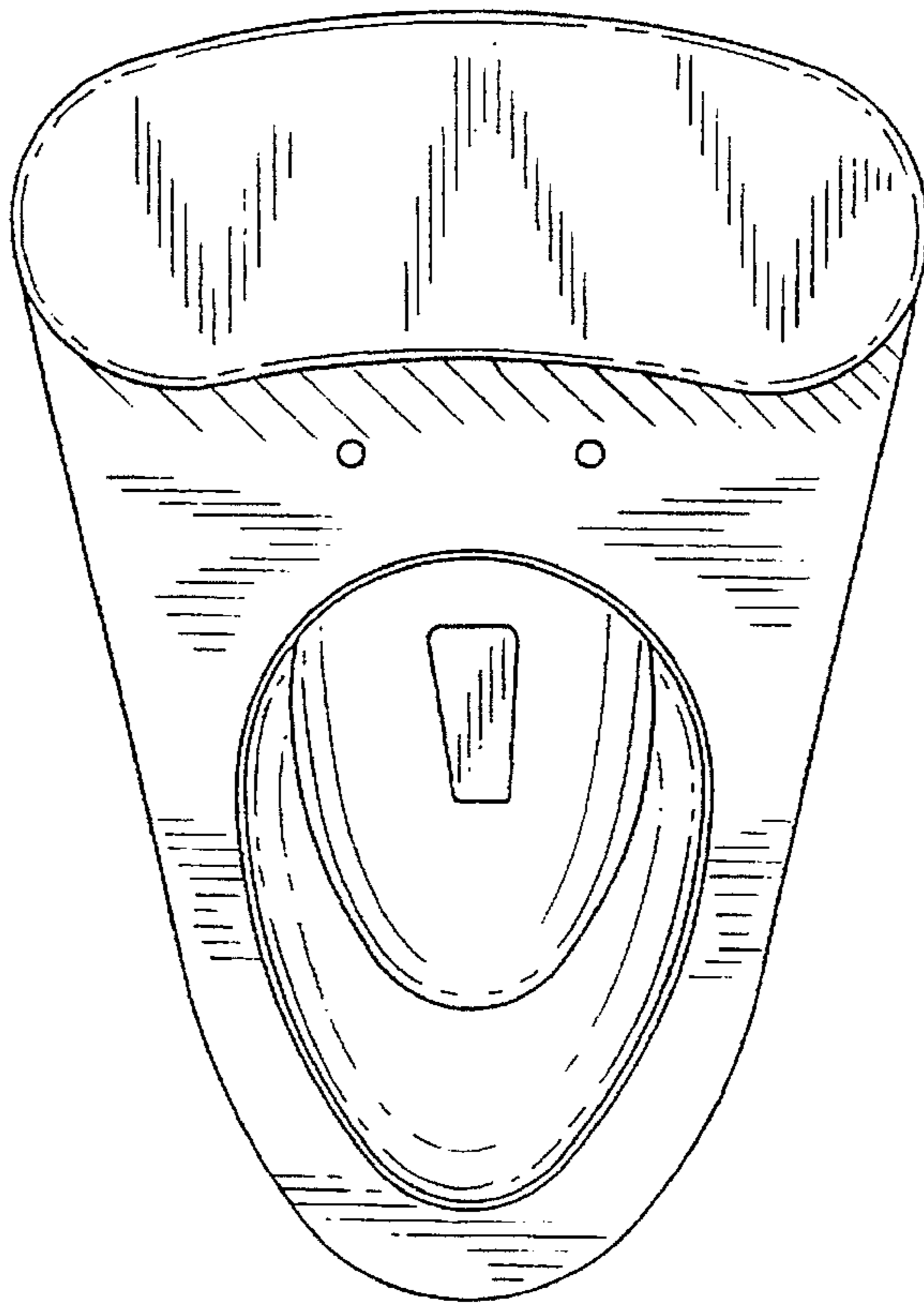


Figure 2

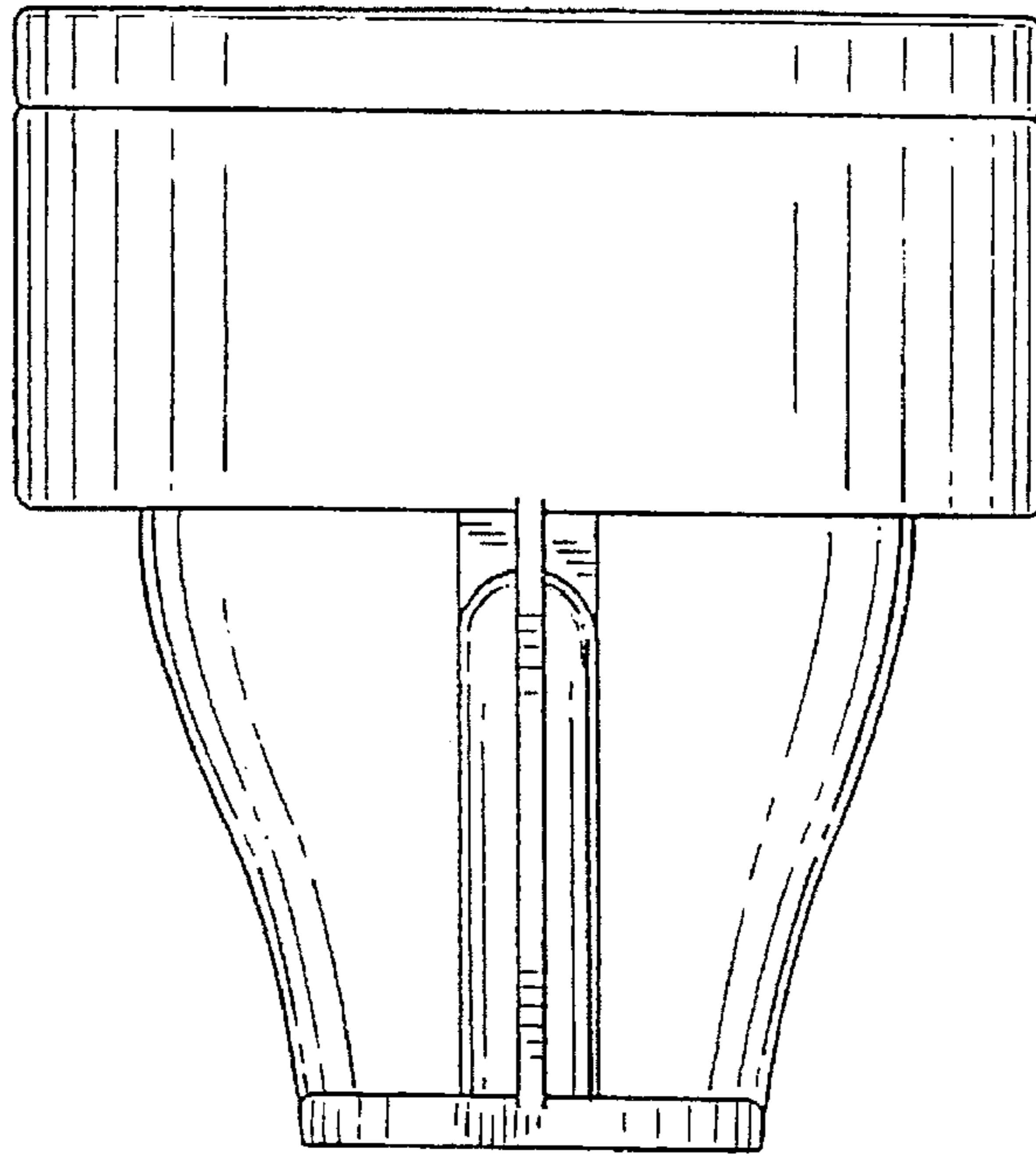


Figure 3

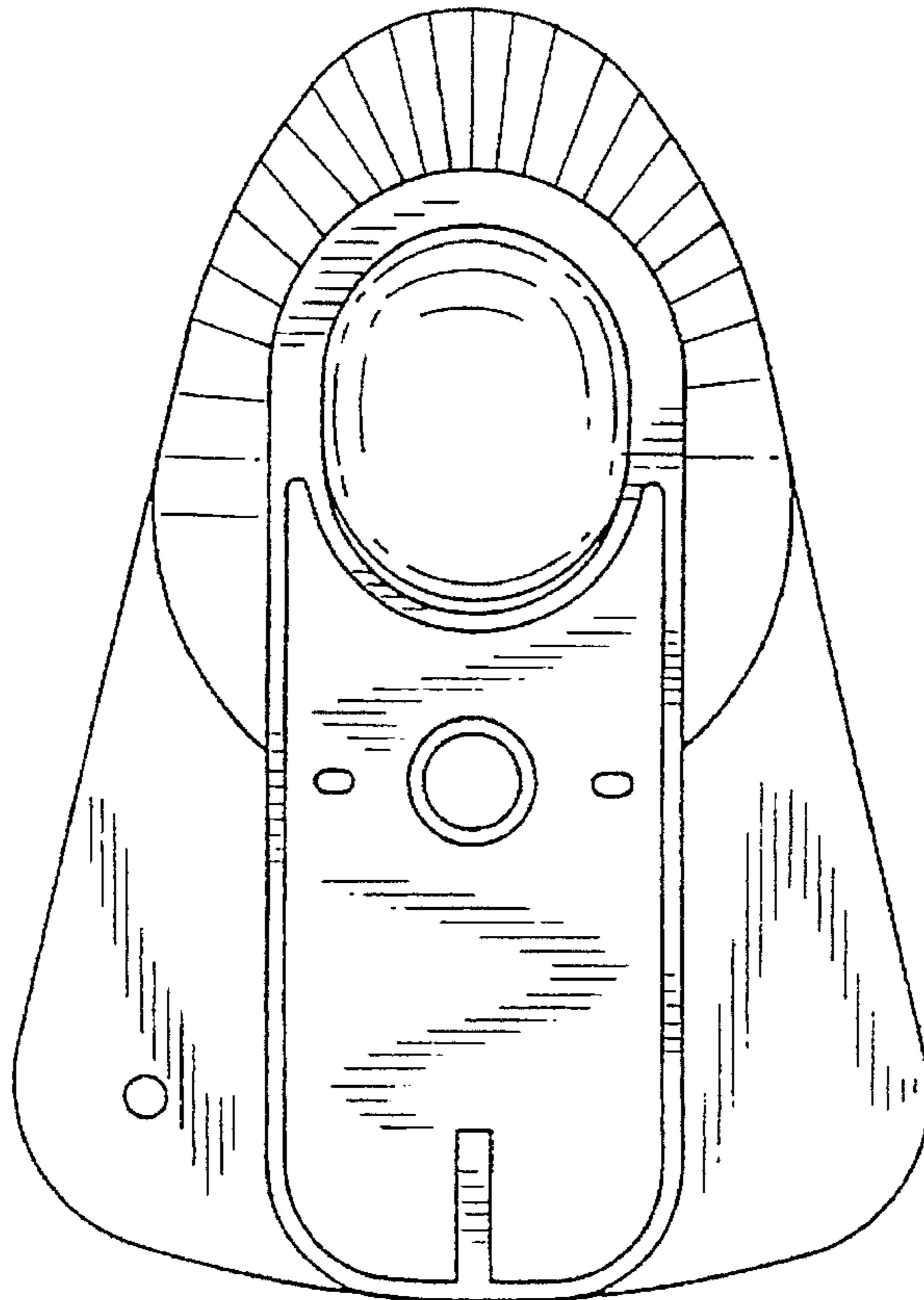


Figure 4

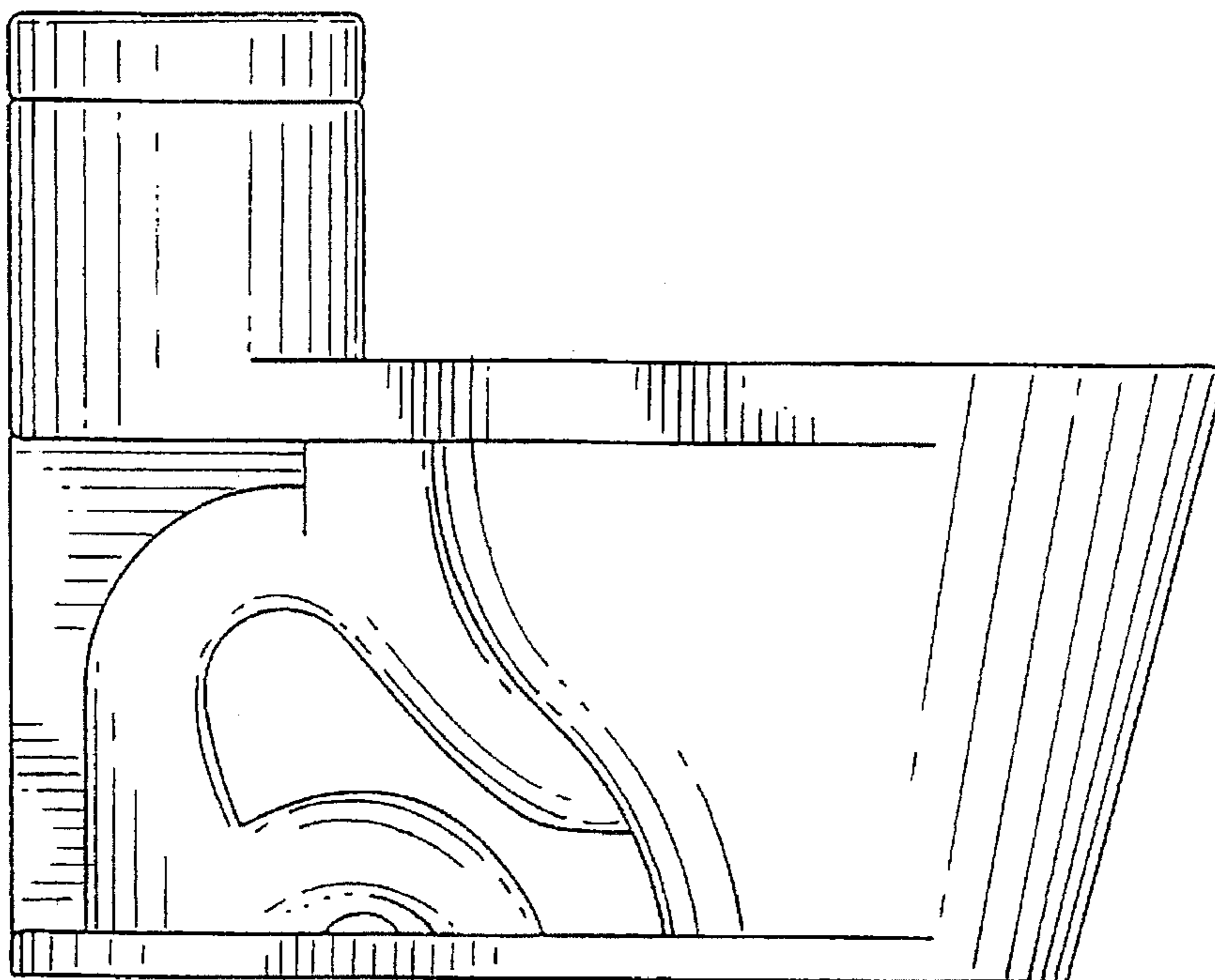


Figure 5

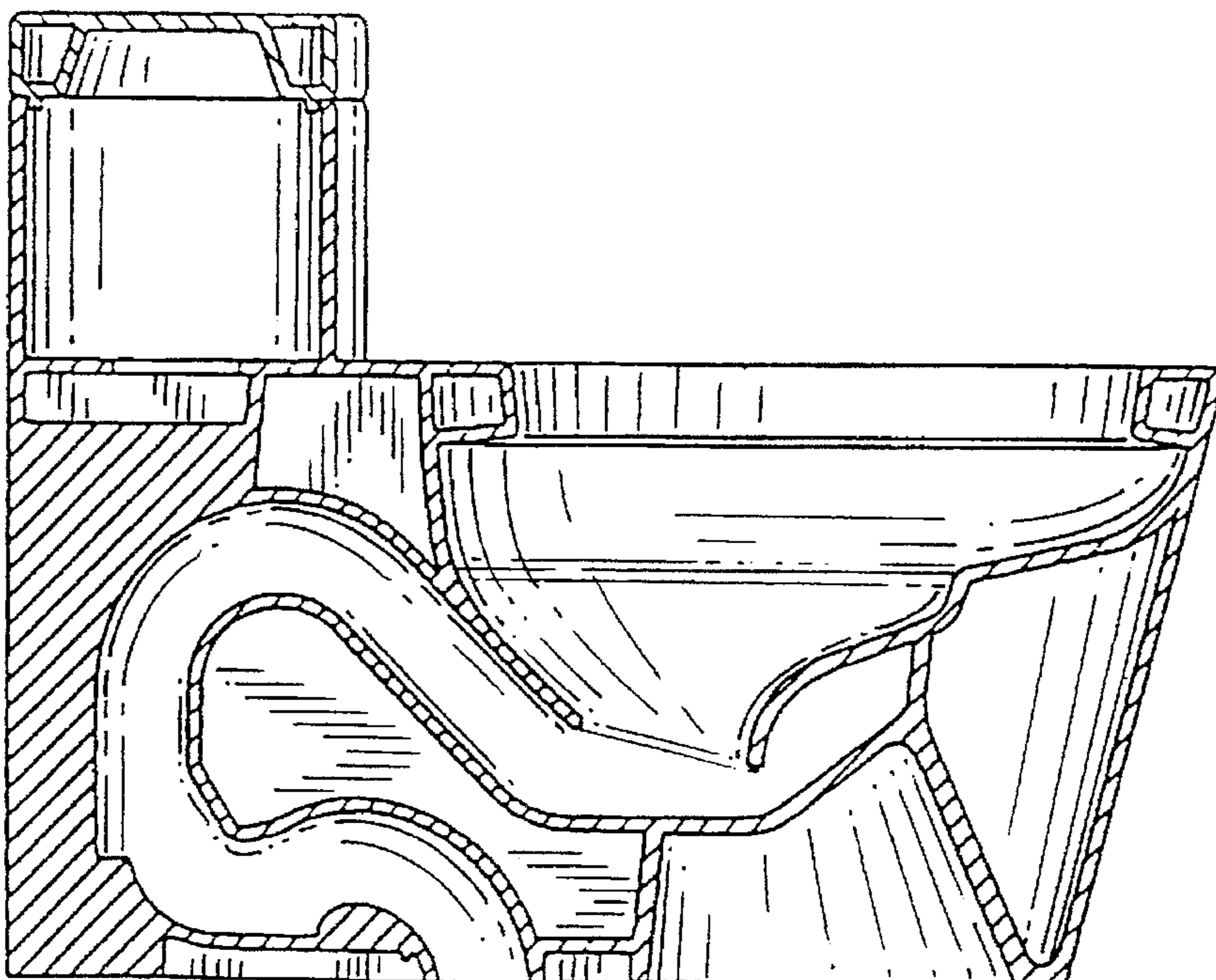


Figure 6

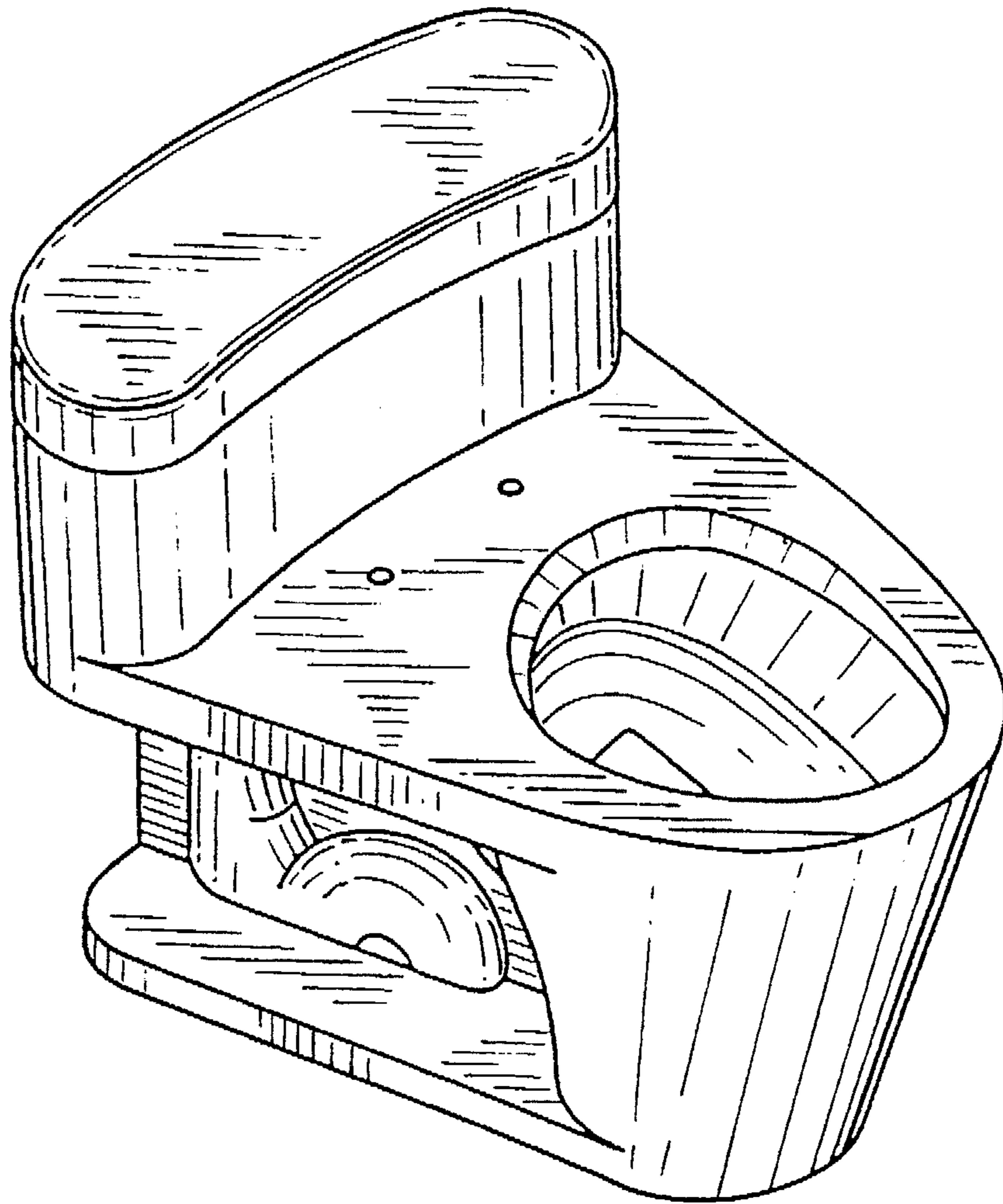


Figure 7