



US00D381404S

United States Patent [19]

[11] Patent Number: **Des. 381,404**

Doughty et al.

[45] Date of Patent: ****Jul. 22, 1997**

[54] FAUCET

[75] Inventors: **Frederic C. Doughty**, S. Pasadena;
Darren M. Mark, Castaic, both of Calif.

[73] Assignee: **Emhart Inc.**, Newark, Del.

[**] Term: **14 Years**

[21] Appl. No.: **44,652**

[22] Filed: **Sep. 28, 1995**

[51] LOC (6) Cl. **23-01**

[52] U.S. Cl. **D23/241**

[58] Field of Search D23/238-243,
D23/250-257; 4/675-678; 137/801

[56] **References Cited**

U.S. PATENT DOCUMENTS

- D. 182,867 5/1958 Young .
- D. 207,044 2/1967 Hurwitz .
- D. 235,546 6/1975 Landell .
- D. 258,519 3/1981 Theoenot D23/243
- D. 260,677 9/1981 Thevenot .
- D. 276,259 11/1984 Miller .
- D. 279,923 7/1985 Dremann et al. D23/255
- D. 288,837 3/1987 Yost D23/243
- D. 296,461 6/1988 Yost D23/241

- D. 321,429 11/1991 Petterson .
- D. 325,772 4/1992 Carr .
- D. 327,532 6/1992 Ko .
- D. 340,506 10/1993 Sauter et al. .
- D. 359,342 6/1995 Doughty .

OTHER PUBLICATIONS

1991 Consumer Products Catalog, Price Pfister, p. 4.

Primary Examiner—Louis S. Zarfaz

Assistant Examiner—Eric Watterson

Attorney, Agent, or Firm—J. Bruce Hoofnagle

[57] **CLAIM**

The ornamental design for faucet, as shown and described.

DESCRIPTION

FIG. 1 is a perspective view of our new design of a faucet; FIG. 2 is a front elevational view of our new design of the faucet;

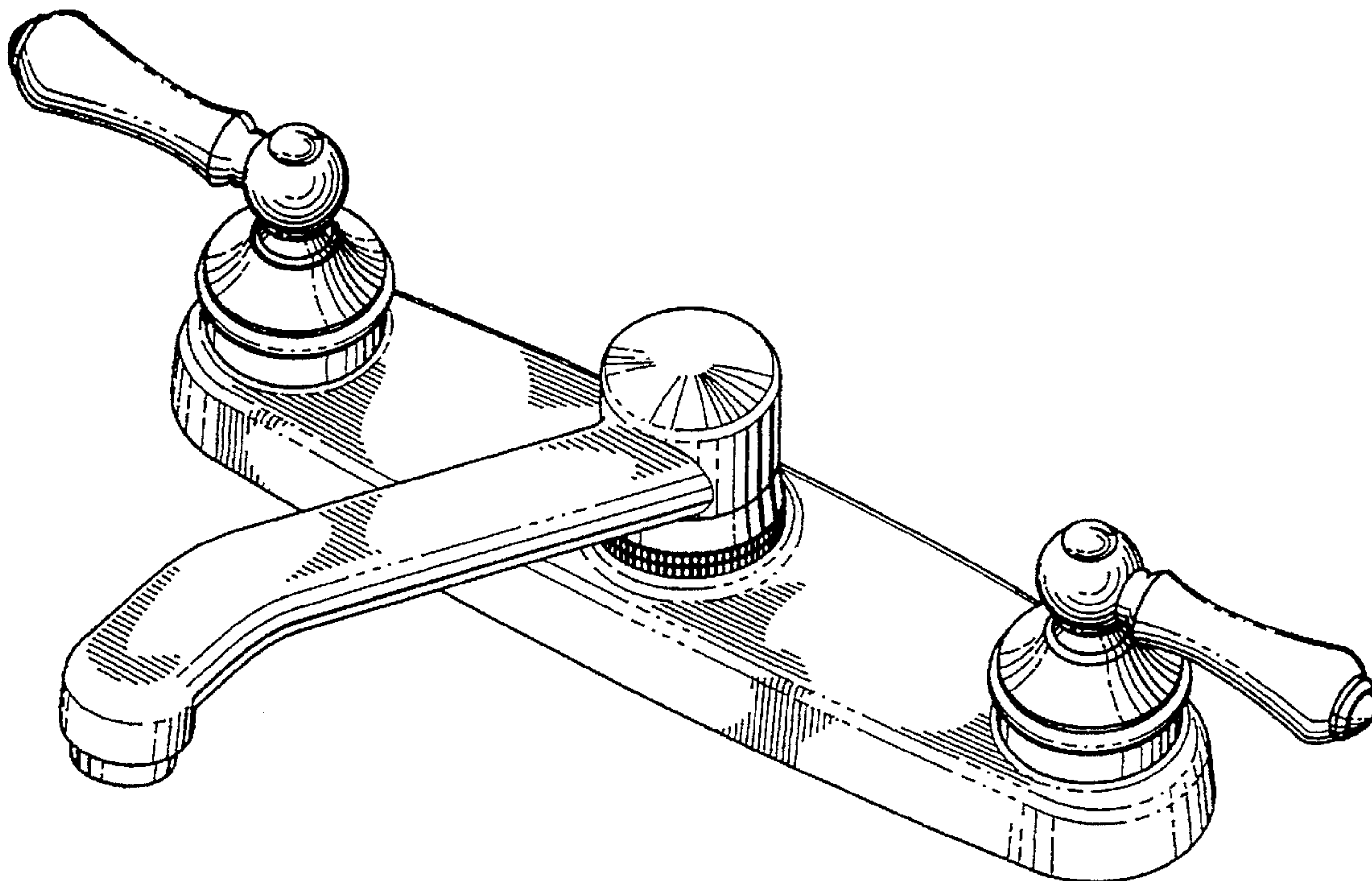
FIG. 3 is a rear elevational view of our new design of the faucet;

FIG. 4 is a right side elevational view of our new design of the faucet, a left side elevational view thereof being a mirror image of the right side elevational thereof;

FIG. 5 is a top plan view of our new design of the faucet; and,

FIG. 6 is a bottom plan view of our new design of the faucet.

1 Claim, 6 Drawing Sheets



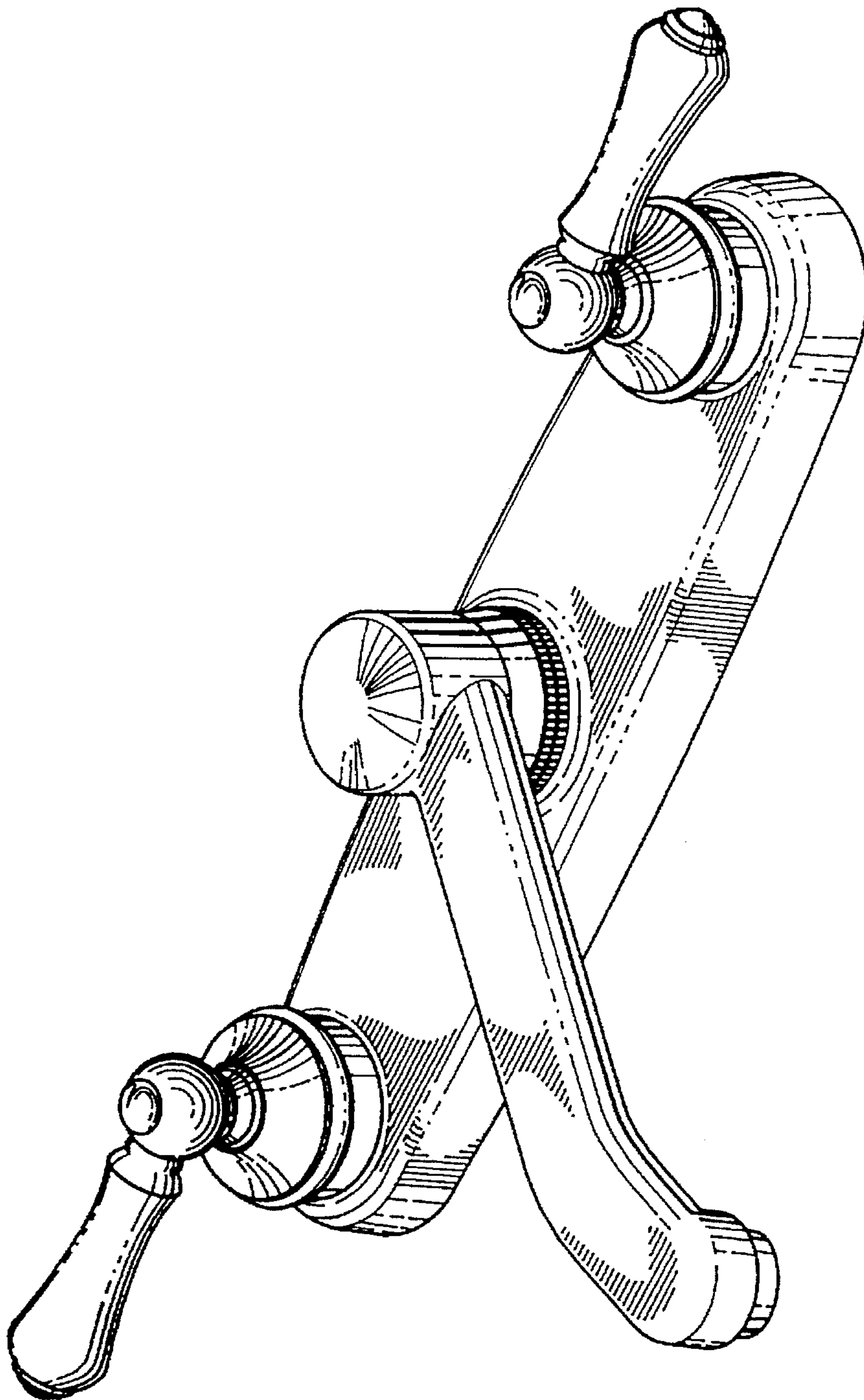


FIG. 1

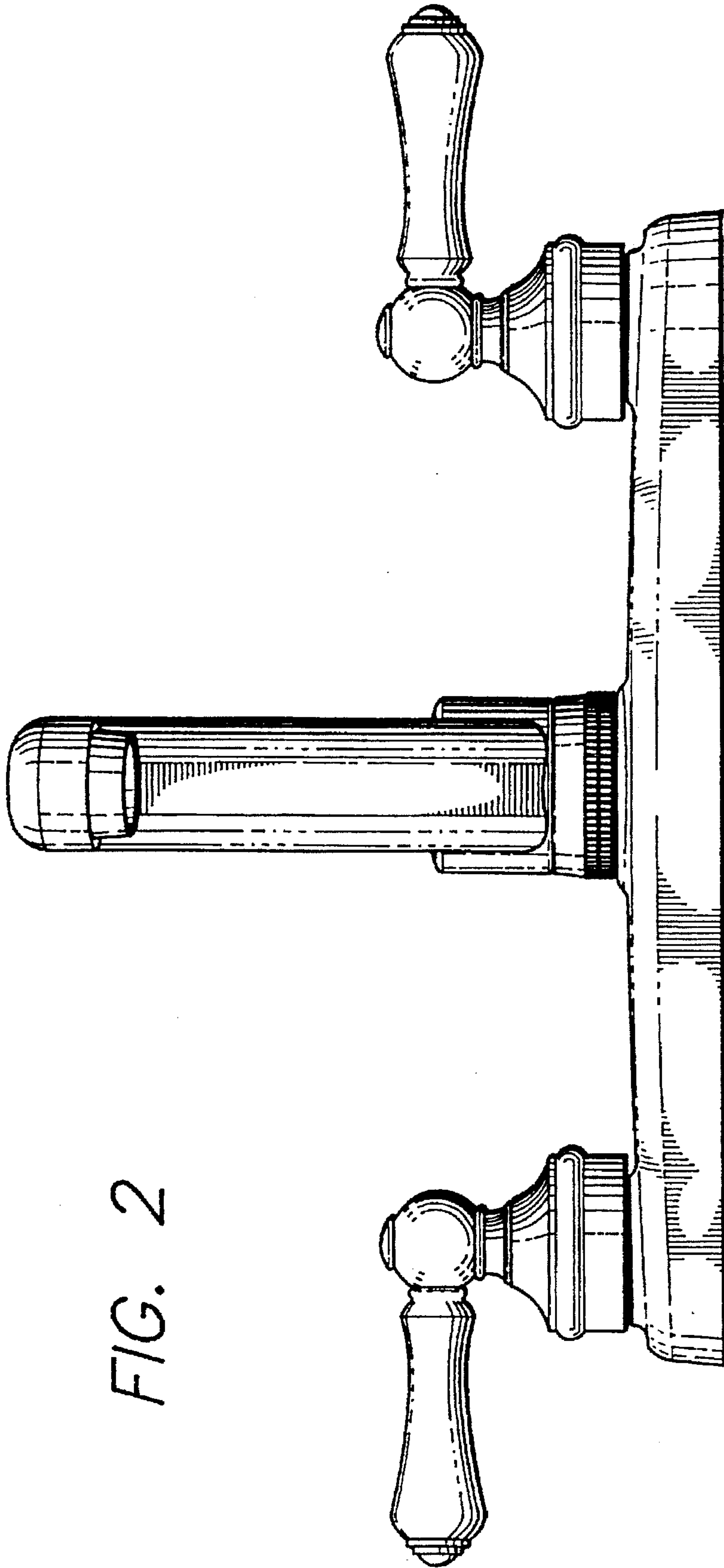


FIG. 2

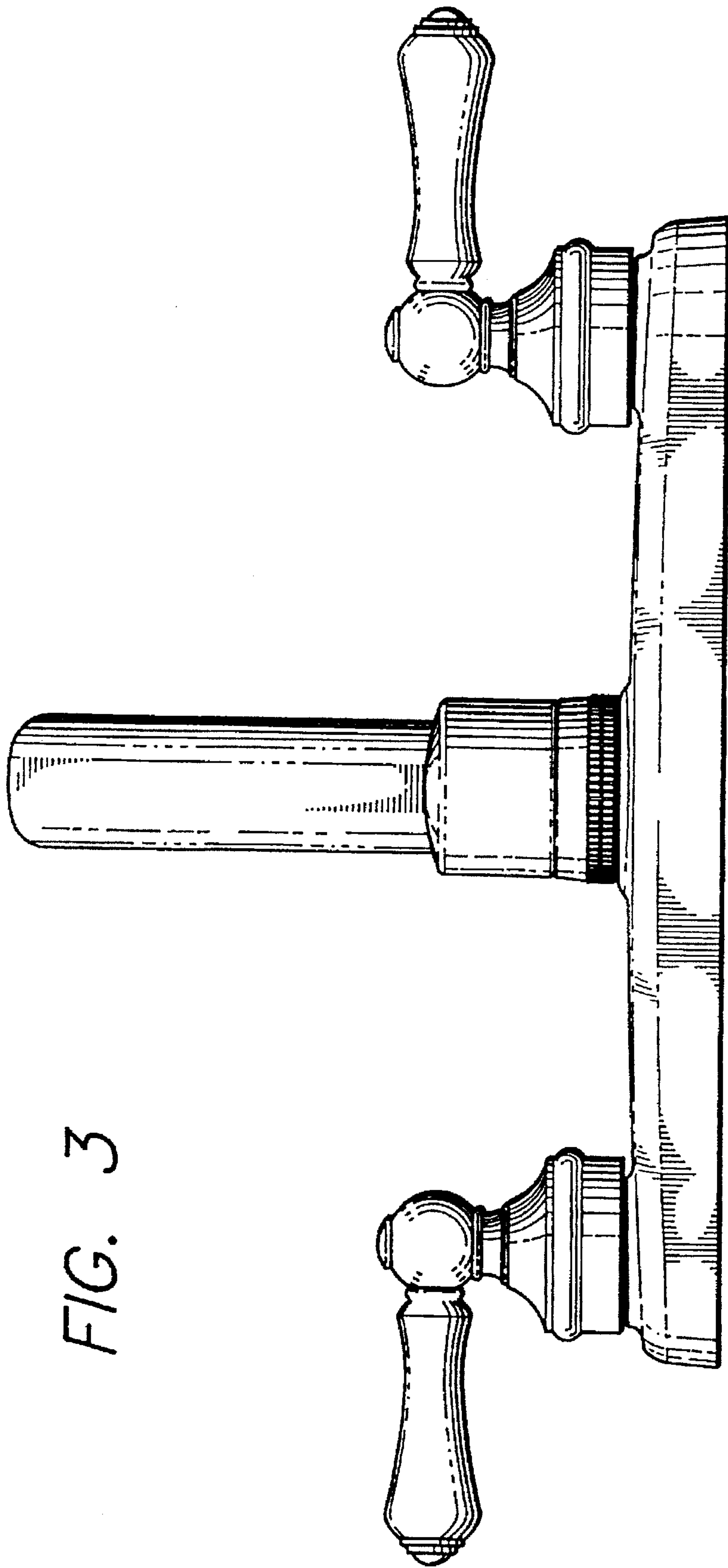


FIG. 3

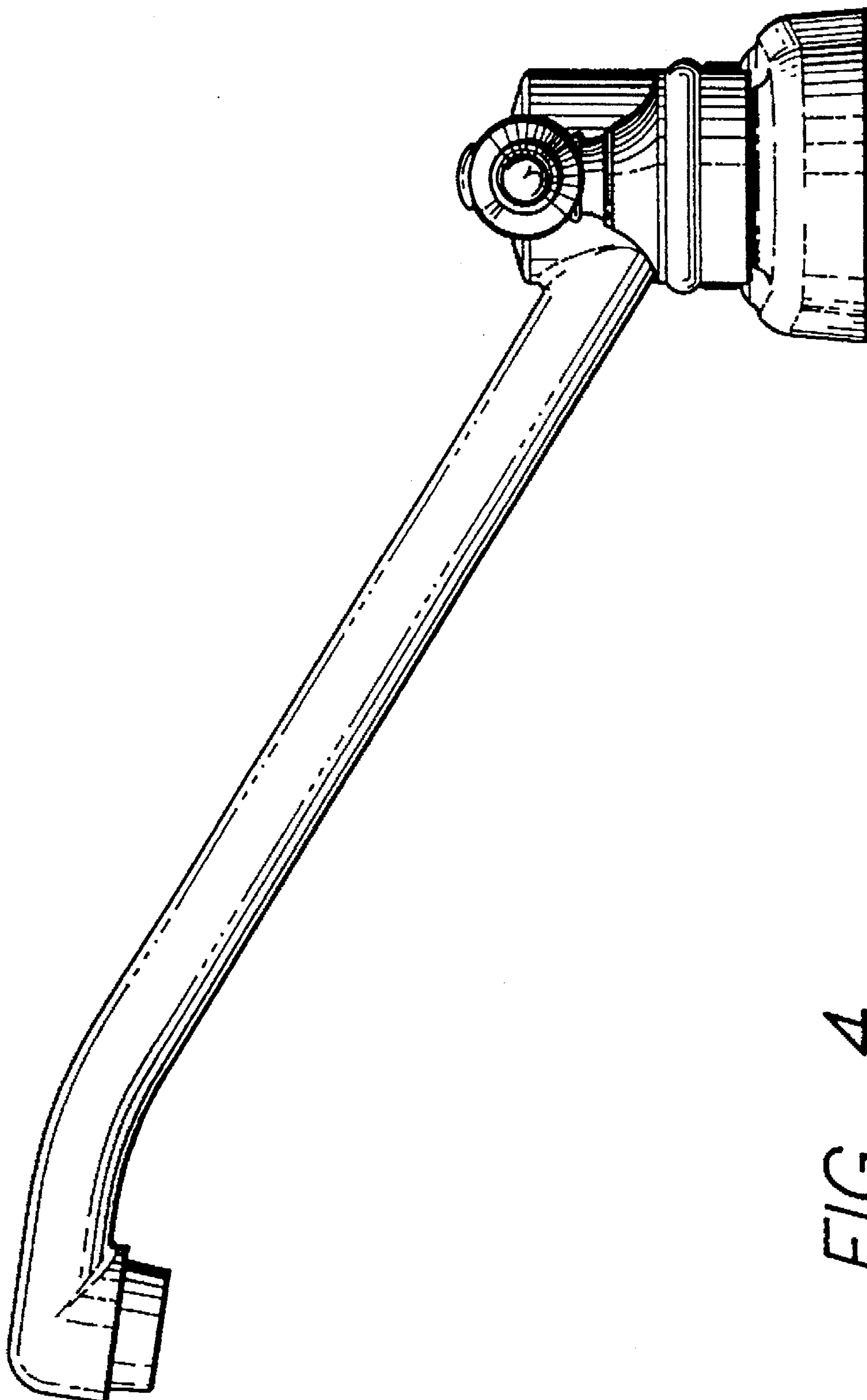


FIG. 4

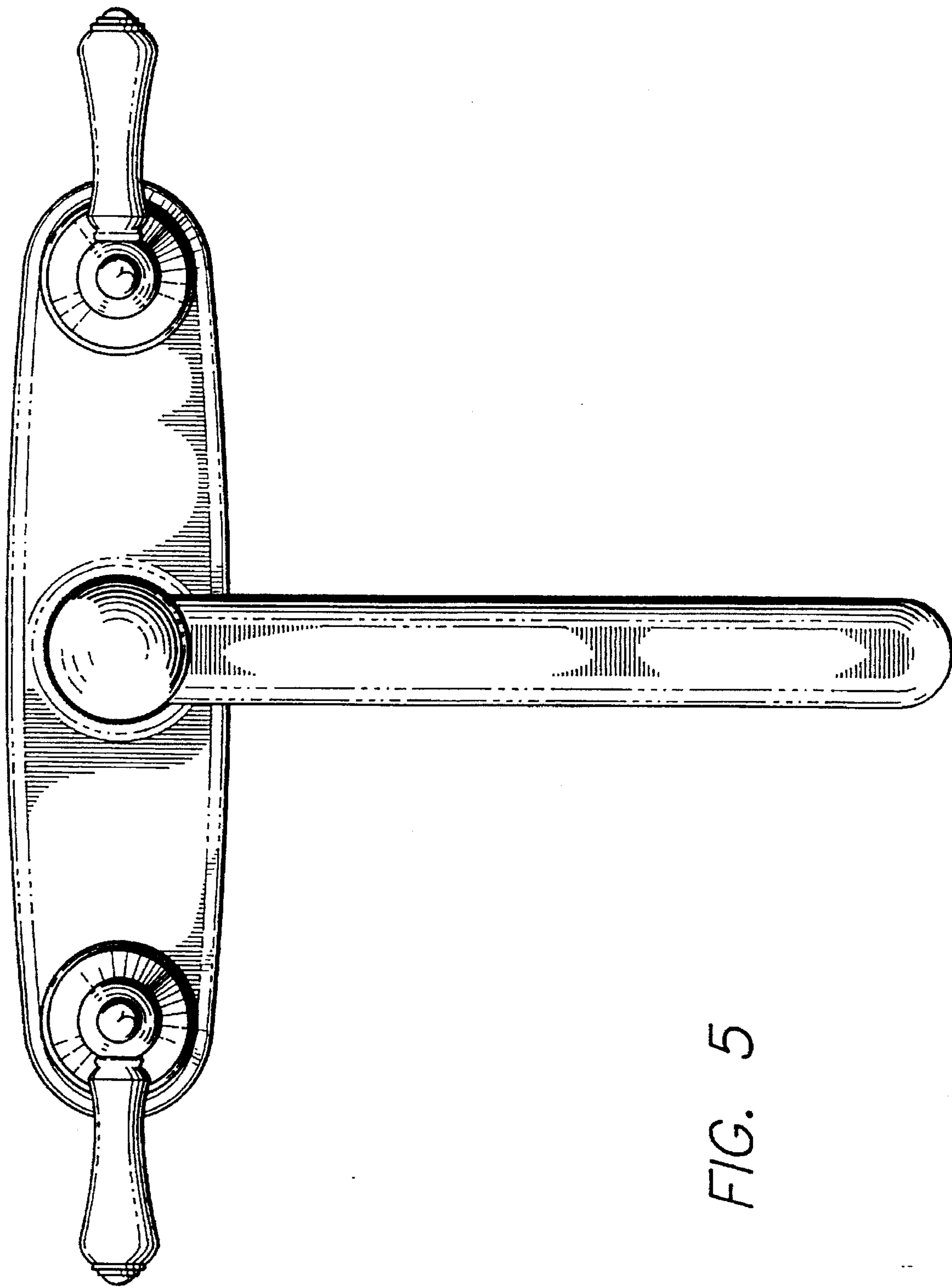


FIG. 5

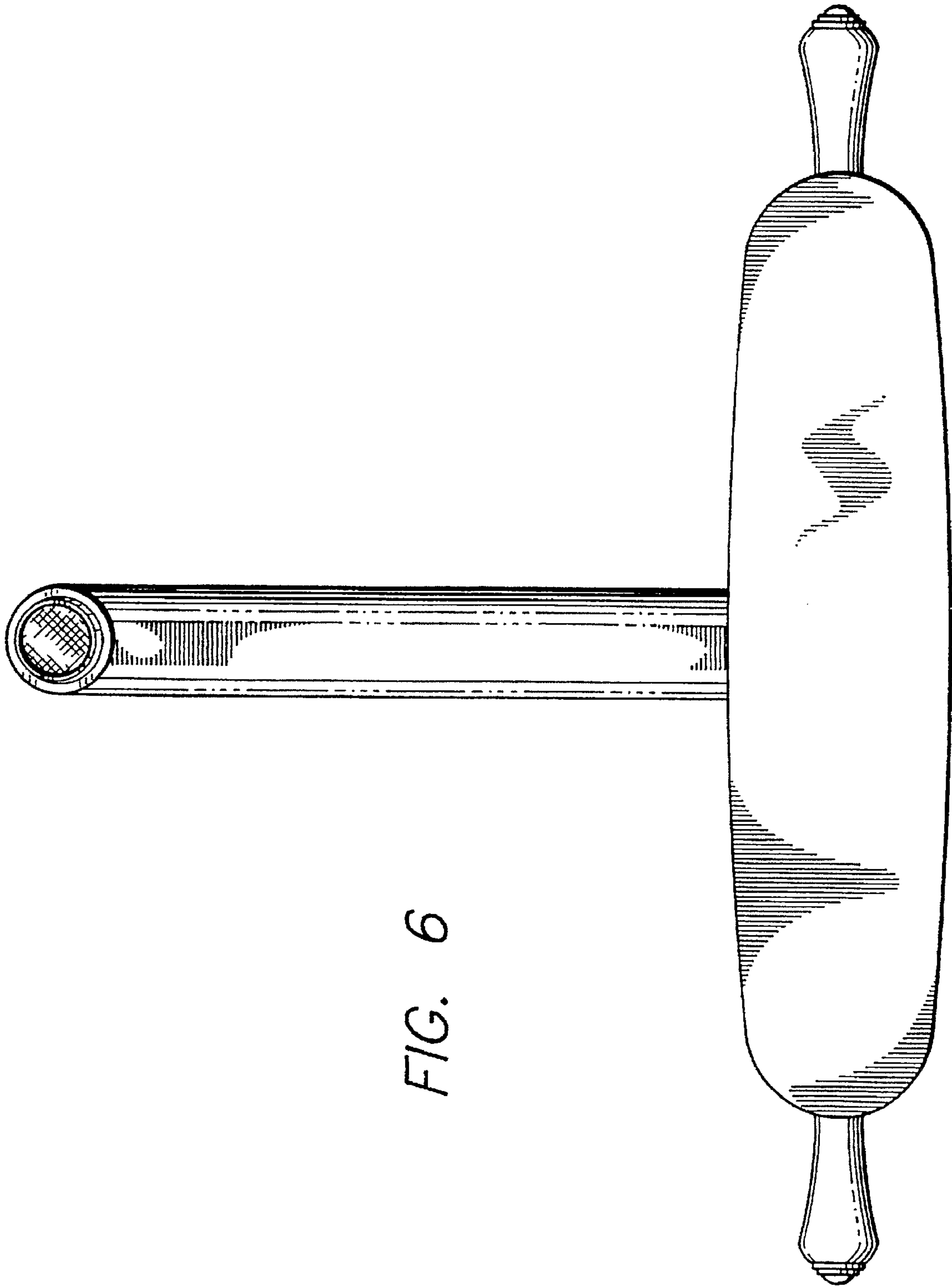


FIG. 6