



US00D381403S

United States Patent [19]

Doughty et al.

[11] Patent Number: **Des. 381,403**

[45] Date of Patent: ****Jul. 22, 1997**

[54] FAUCET

[75] Inventors: **Frederic C. Doughty**, S. Pasadena;
Darren M. Mark, Castaic, both of Calif.

[73] Assignee: **Emhart Inc.**, Newark, Del.

[**] Term: **14 Years**

[21] Appl. No.: **44,393**

[22] Filed: **Sep. 22, 1995**

[51] LOC (6) Cl. **23-01**

[52] U.S. Cl. **D23/241**

[58] Field of Search D23/238-243,
D23/250-257; D8/300, 307, 308, 310, 312;
4/675-678; 137/801

[56] **References Cited**

U.S. PATENT DOCUMENTS

- D. 187,846 5/1960 Brown D23/241
- D. 190,791 6/1961 Kohler D23/241
- D. 192,003 12/1961 Young .
- D. 200,042 1/1965 Mackay .
- D. 229,495 12/1973 Landell .
- D. 258,521 3/1981 Thevelot D23/241

- D. 276,645 12/1984 Piesco D23/241
- D. 288,836 3/1987 Yost .
- D. 299,518 1/1989 Yost .
- D. 325,958 5/1992 Stairs, Jr. et al. .
- D. 327,531 6/1992 Ko .
- D. 346,852 5/1994 Hill .

Primary Examiner—Louis S. Zarfes
Assistant Examiner—Eric Watterson
Attorney, Agent, or Firm—J. Bruce Hoofnagle

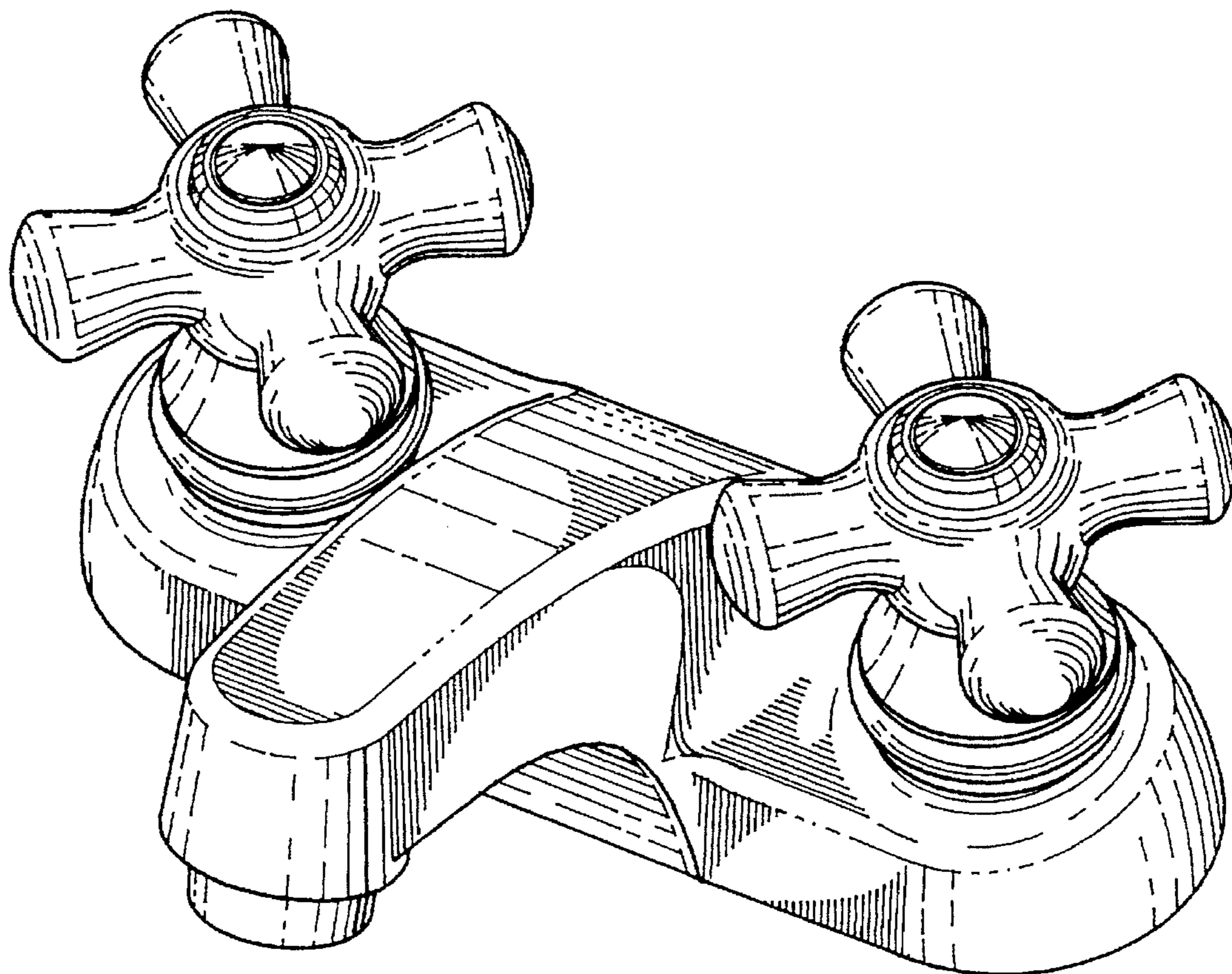
[57] **CLAIM**

The ornamental design for faucet, as shown and described.

DESCRIPTION

FIG. 1 is a perspective view of our new design of a faucet;
FIG. 2 is a front elevational view of our new design of the faucet;
FIG. 3 is a rear elevational view of our new design of the faucet;
FIG. 4 is a left side elevational view of our new design of the faucet, a right side elevational view thereof being a mirror image of the left side elevational thereof;
FIG. 5 is a top plan view of our new design of the faucet;
and,
FIG. 6 is a bottom plan view of our new design of the faucet.

1 Claim, 3 Drawing Sheets



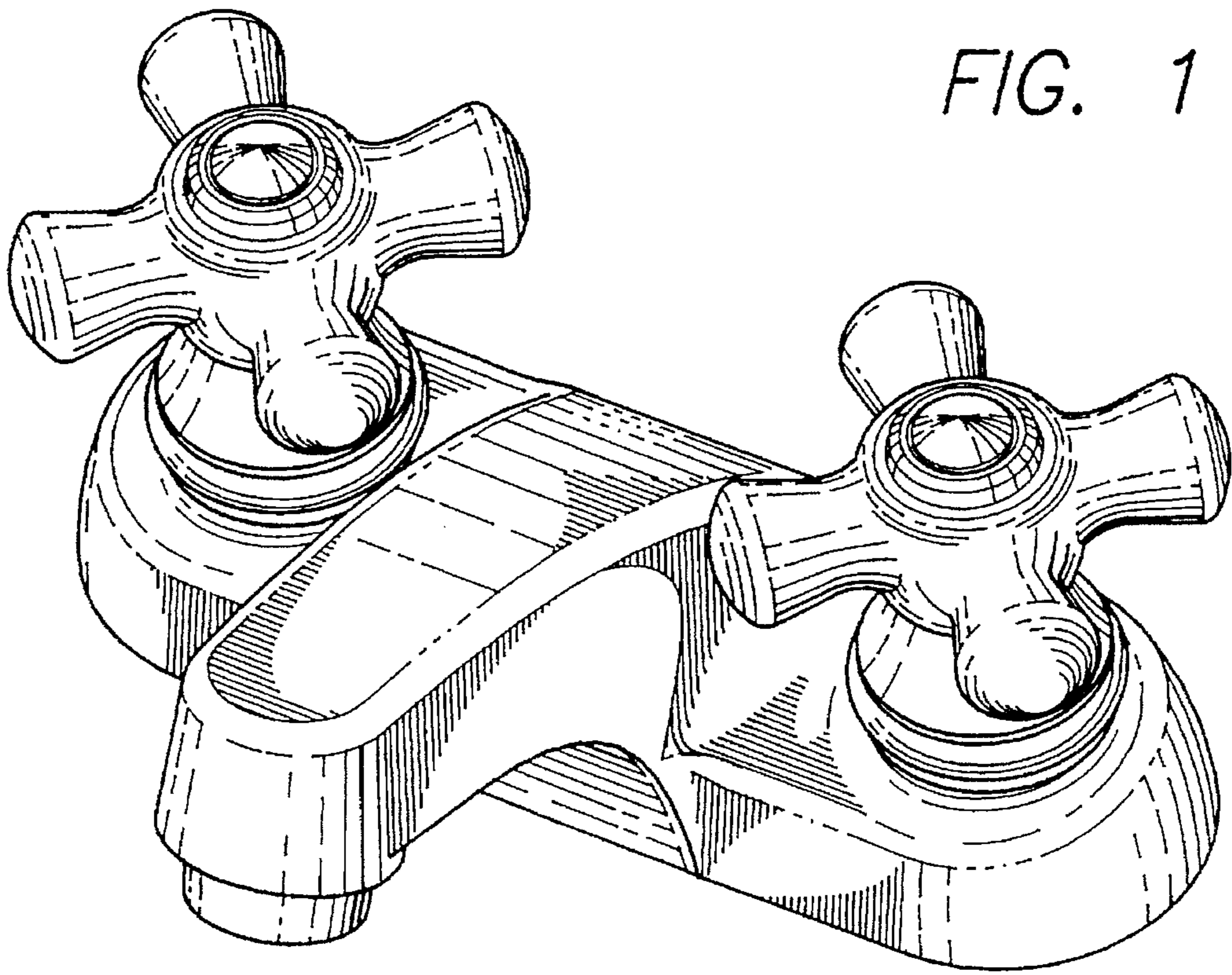


FIG. 1

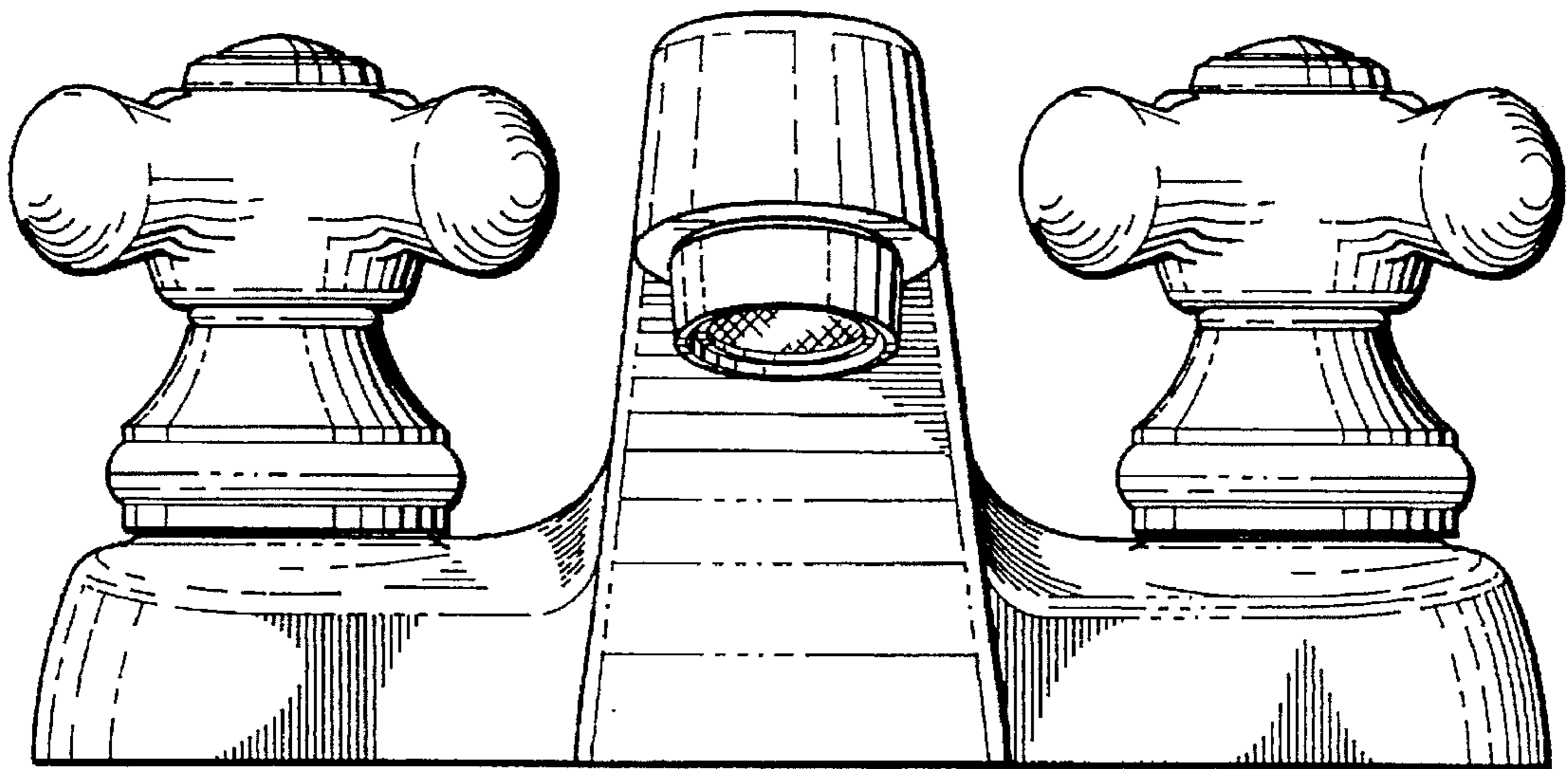


FIG. 2

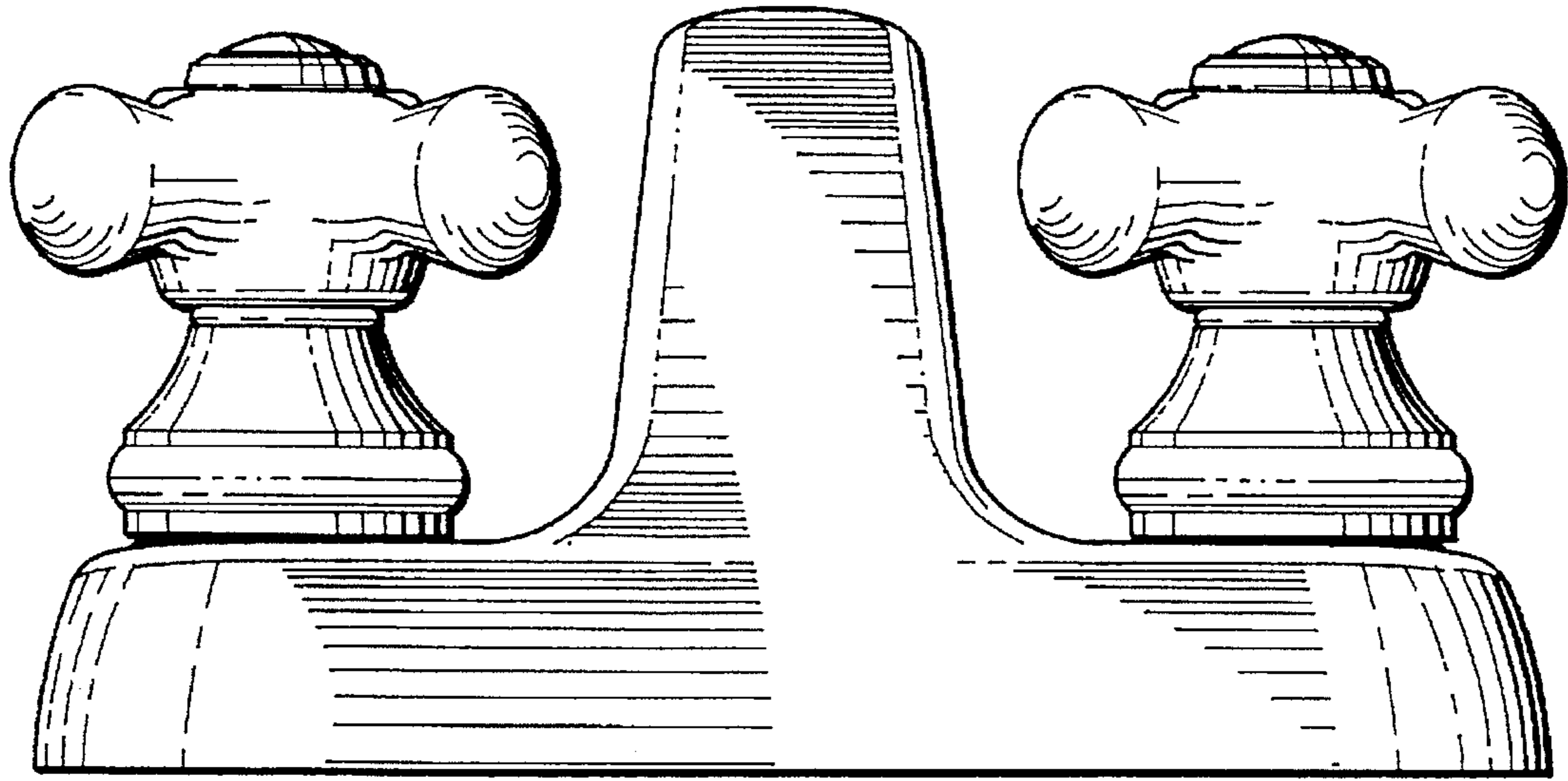


FIG. 3

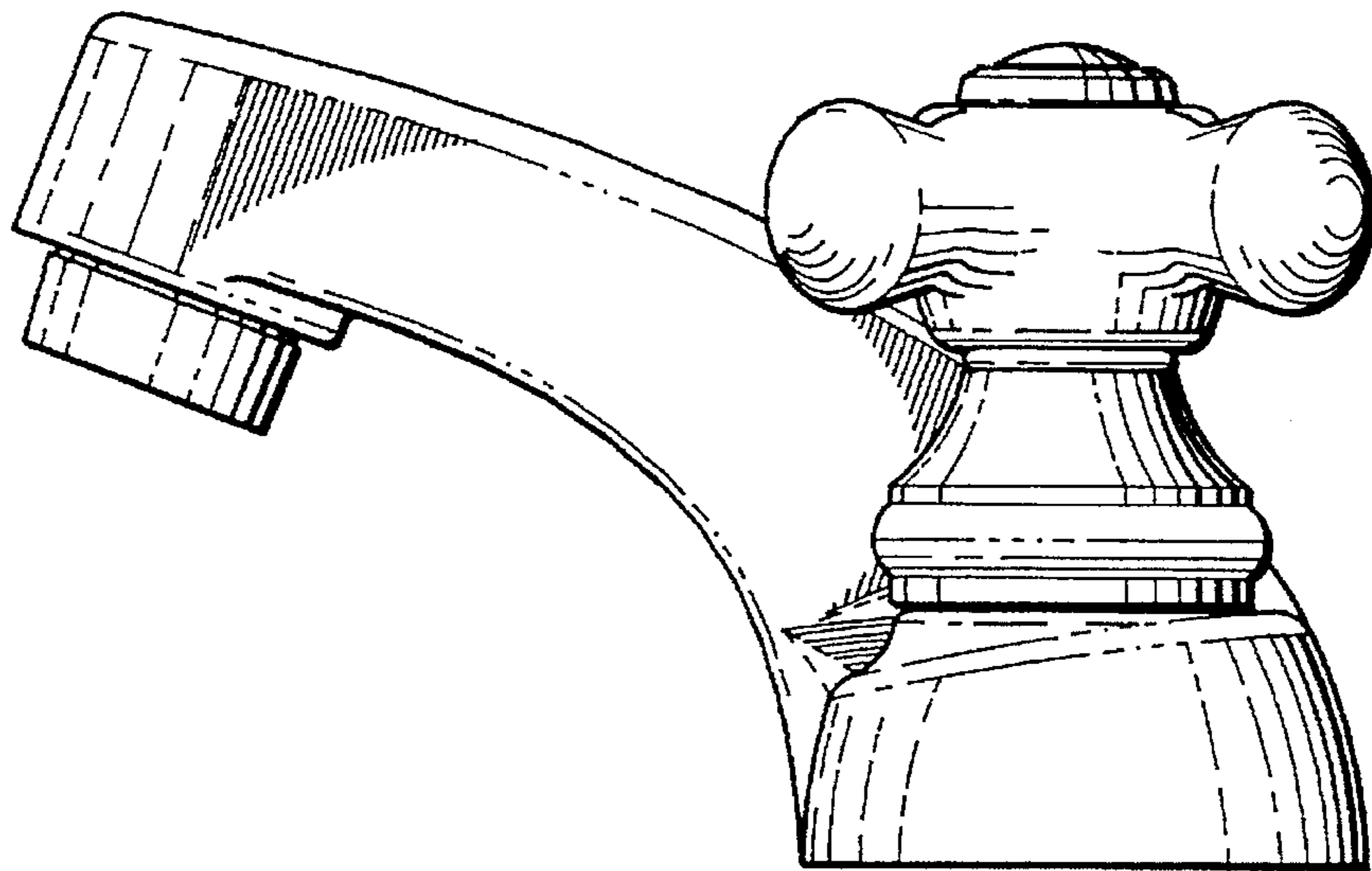


FIG. 4

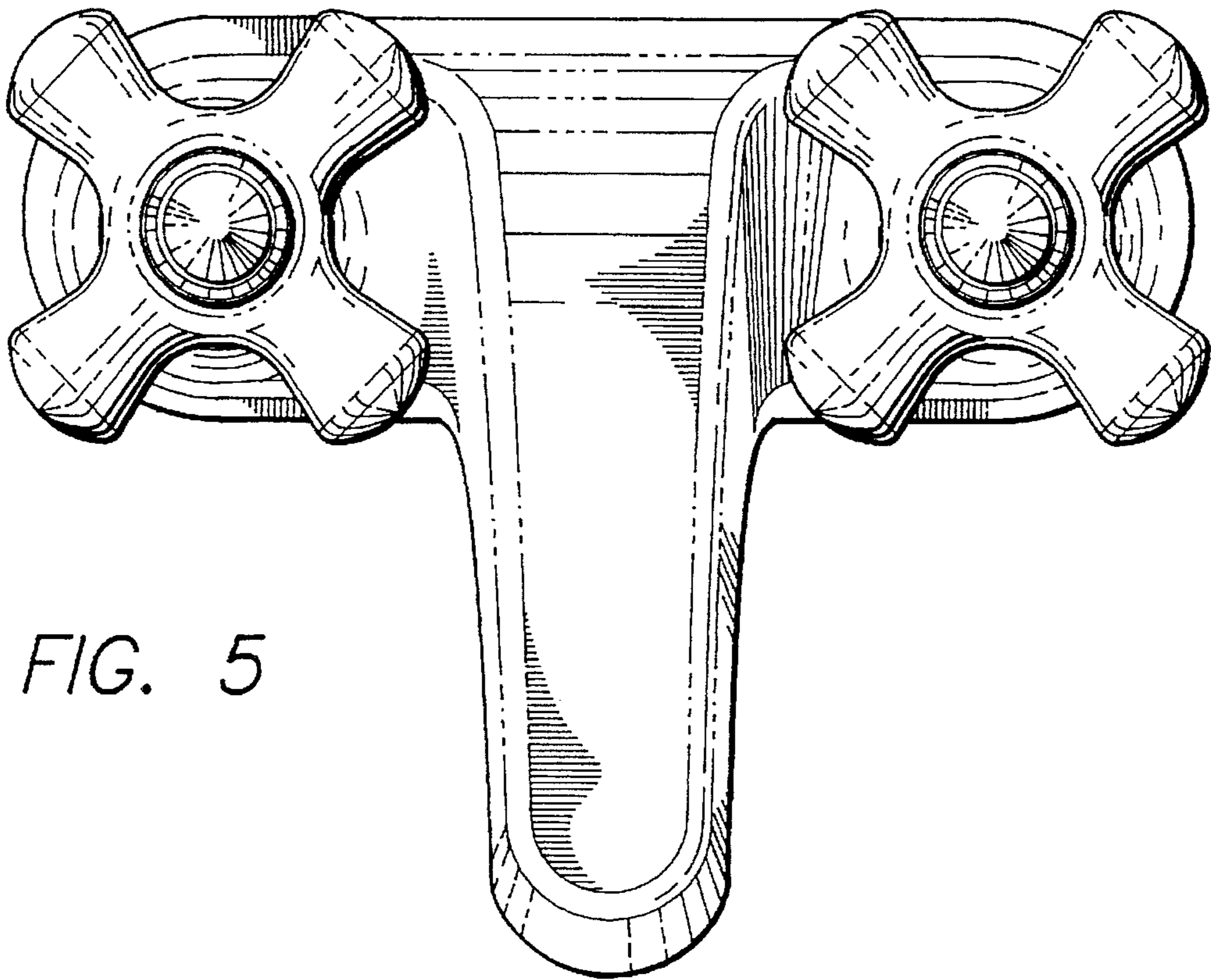


FIG. 5

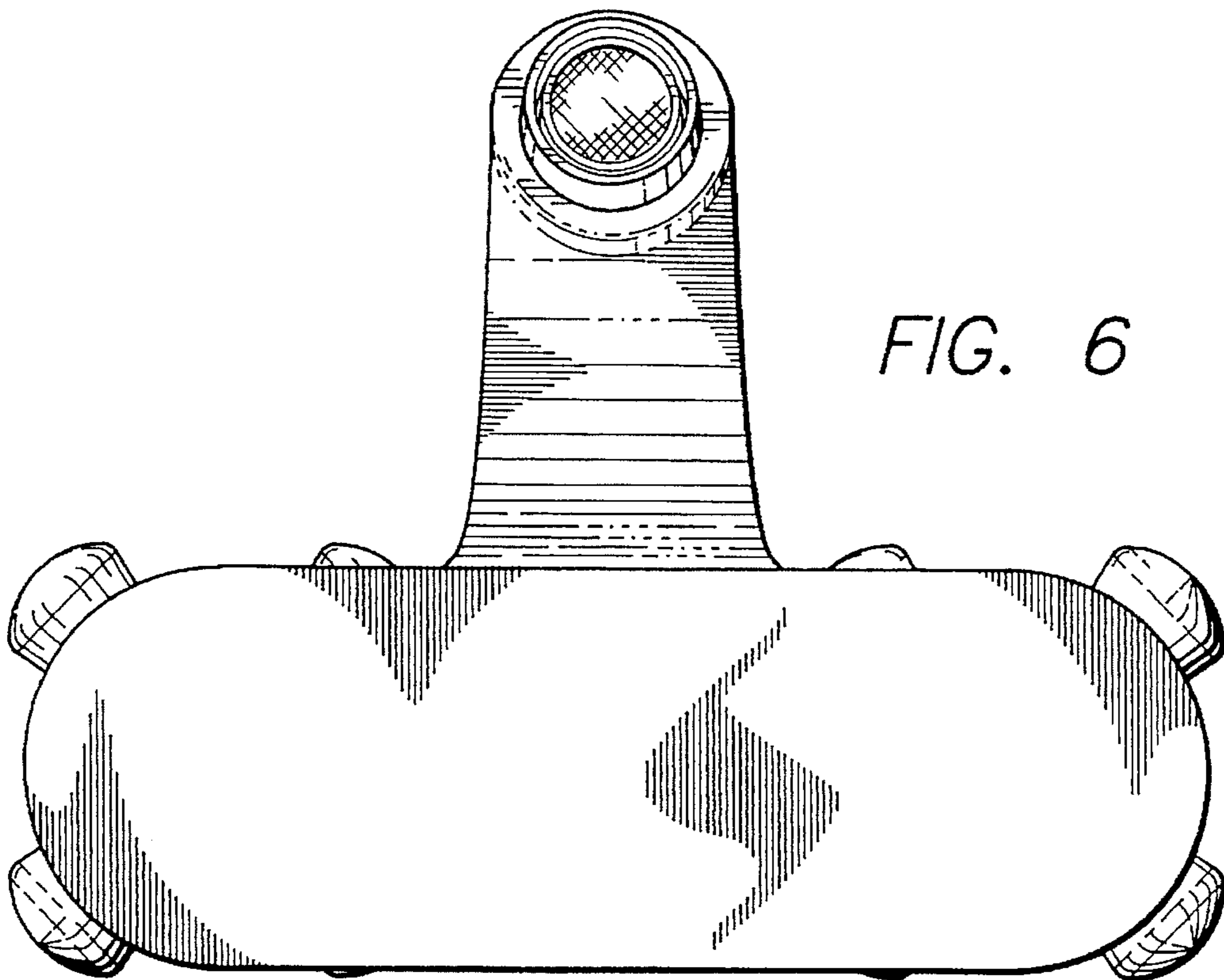


FIG. 6