



US00D381402S

United States Patent [19]

Doughty et al.

[11] Patent Number: **Des. 381,402**

[45] Date of Patent: ****Jul. 22, 1997**

[54] FAUCET

[75] Inventors: **Frederic C. Doughty**, S. Pasadena;
Darren M. Mark, Castaic, both of Calif.

[73] Assignee: **Emhart Inc.**, Newark, Del.

[**] Term: **14 Years**

[21] Appl. No.: **44,392**

[22] Filed: **Sep. 22, 1995**

[51] LOC (6) Cl. **23-01**

[52] U.S. Cl. **D23/241**

[58] Field of Search **D23/238-243,**
D23/250-257; 4/675-678; 137/801

[56] **References Cited**

U.S. PATENT DOCUMENTS

- D. 176,447 12/1955 Cohen .
- D. 182,867 5/1958 Young .
- D. 207,044 2/1967 Hurwitz .
- D. 221,429 8/1971 Petterson .
- D. 235,546 6/1975 Landell .
- D. 258,519 3/1981 Thevenot **D23/243**
- D. 260,677 9/1981 Thevenot .

- D. 279,923 7/1985 Niemann et al. **D23/255**
- D. 288,837 3/1987 Yost **D23/243**
- D. 292,731 11/1987 Gomez .
- D. 296,461 6/1988 Yost **D23/241**
- D. 340,506 10/1993 Souter et al. .
- D. 359,342 6/1995 Doughty et al. .

Primary Examiner—Louis S. Zarfes
Assistant Examiner—Eric Wotterson
Attorney, Agent, or Firm—J. Bruce Hoofnagle

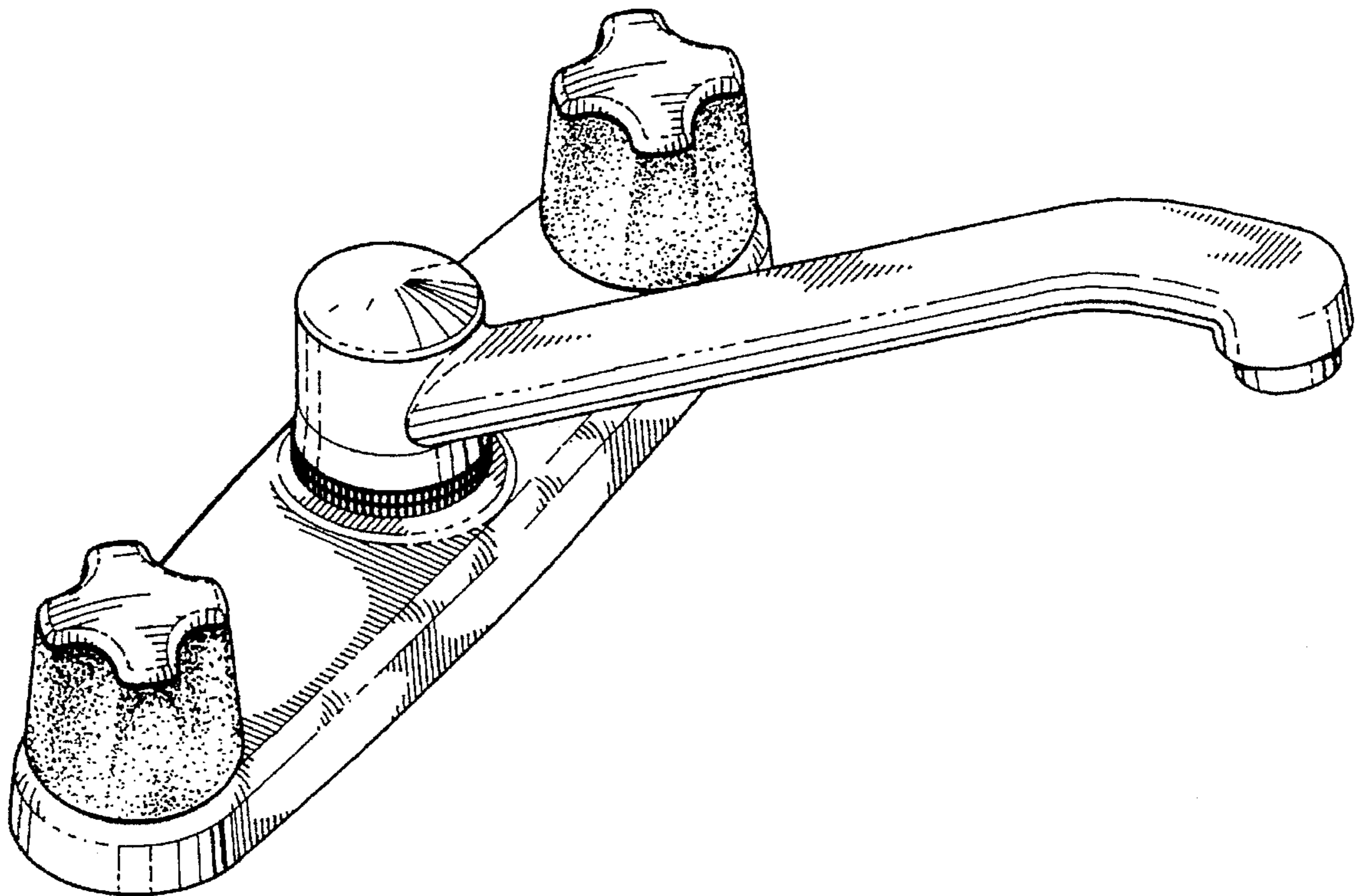
[57] **CLAIM**

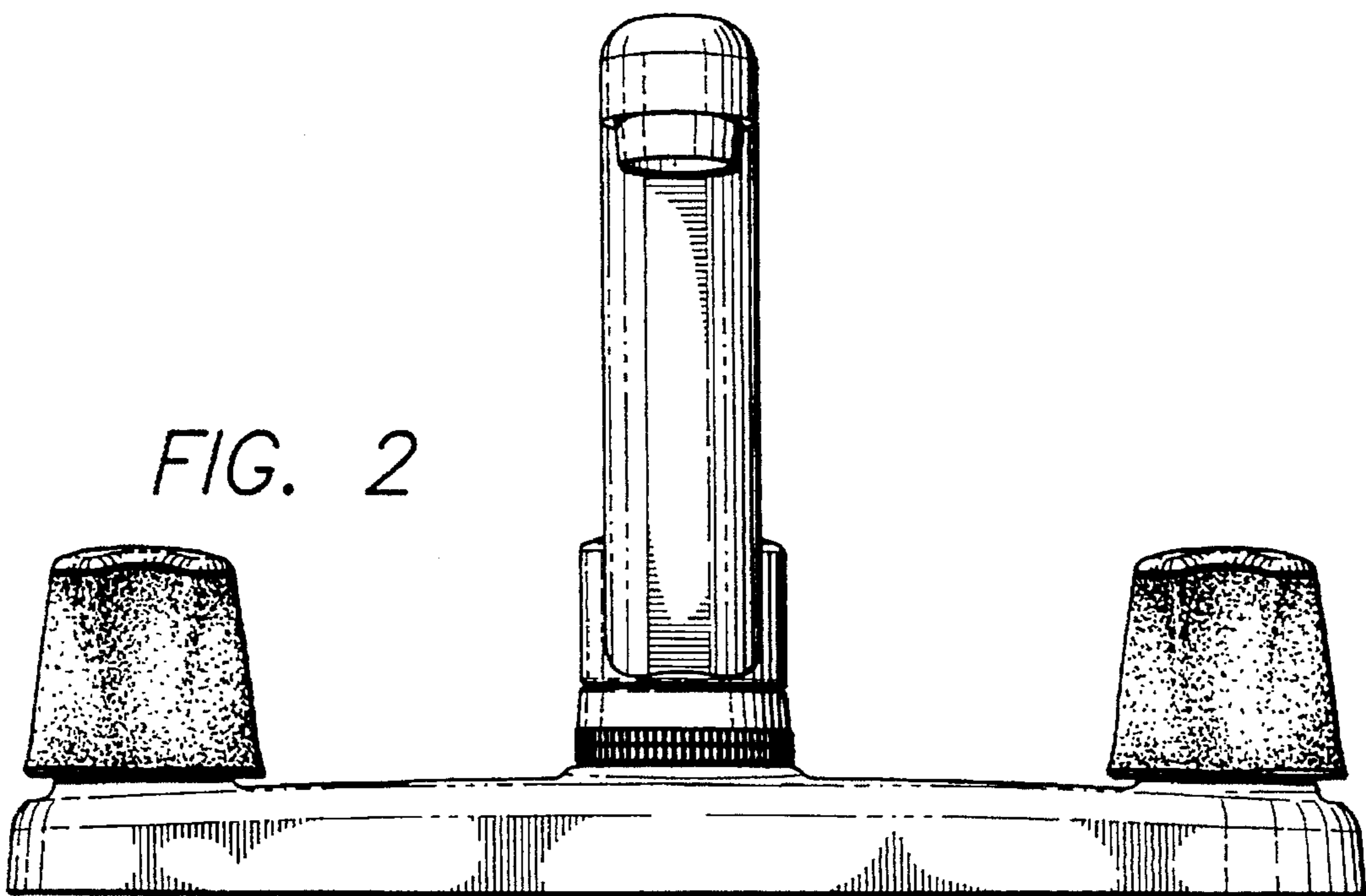
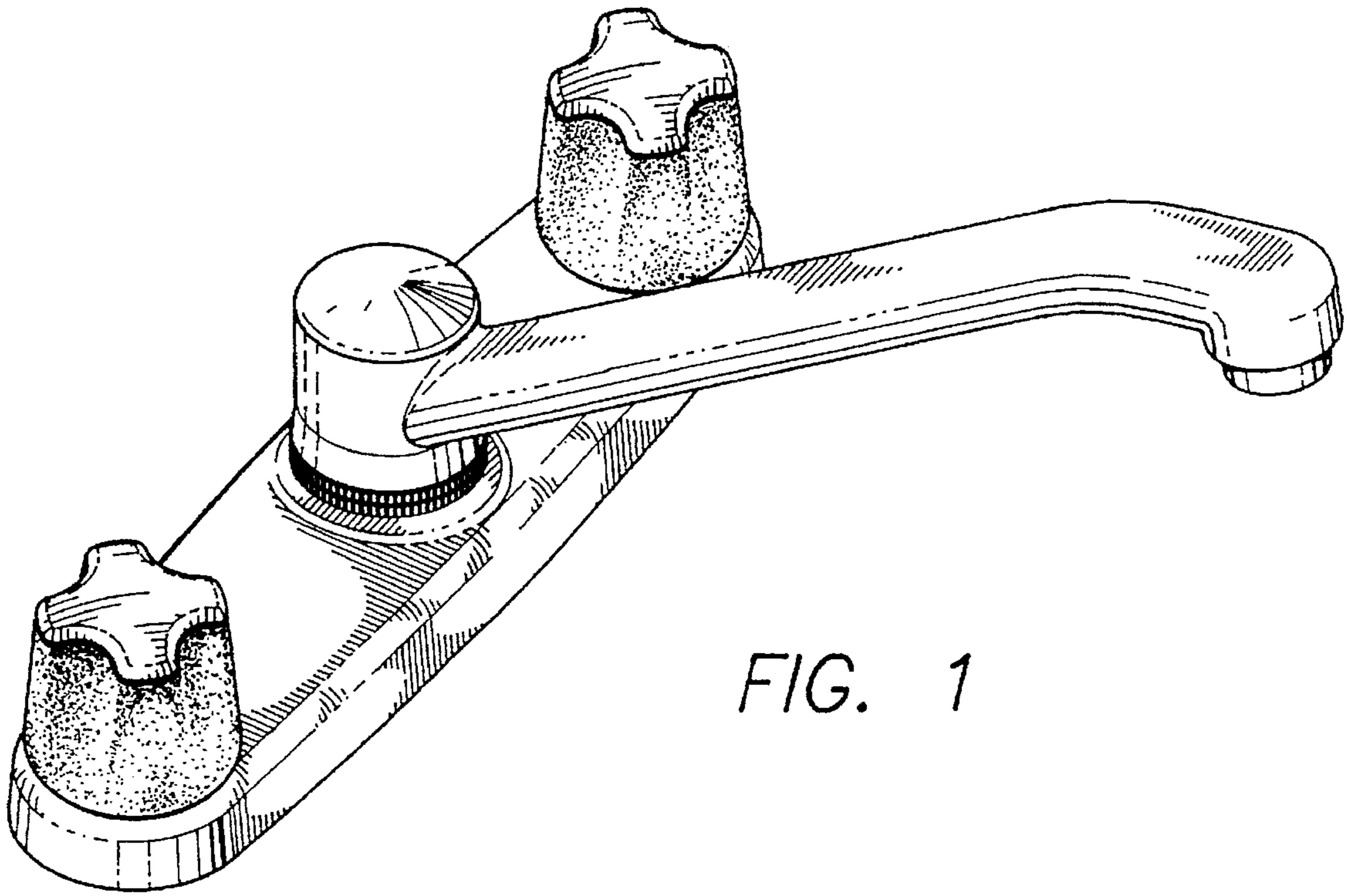
The ornamental design for faucet, as shown and described.

DESCRIPTION

FIG. 1 is a perspective view of our new design of a faucet; FIG. 2 is a front elevational view of our new design of the faucet; FIG. 3 is a rear elevational view of our new design of the faucet; FIG. 4 is a left side elevational view of our new design of the faucet, a right side elevational view thereof being a mirror image of the left side elevational thereof; FIG. 5 is a top plan view of our new design of the faucet; and, FIG. 6 is a bottom plan view of our new design of the faucet.

1 Claim, 3 Drawing Sheets





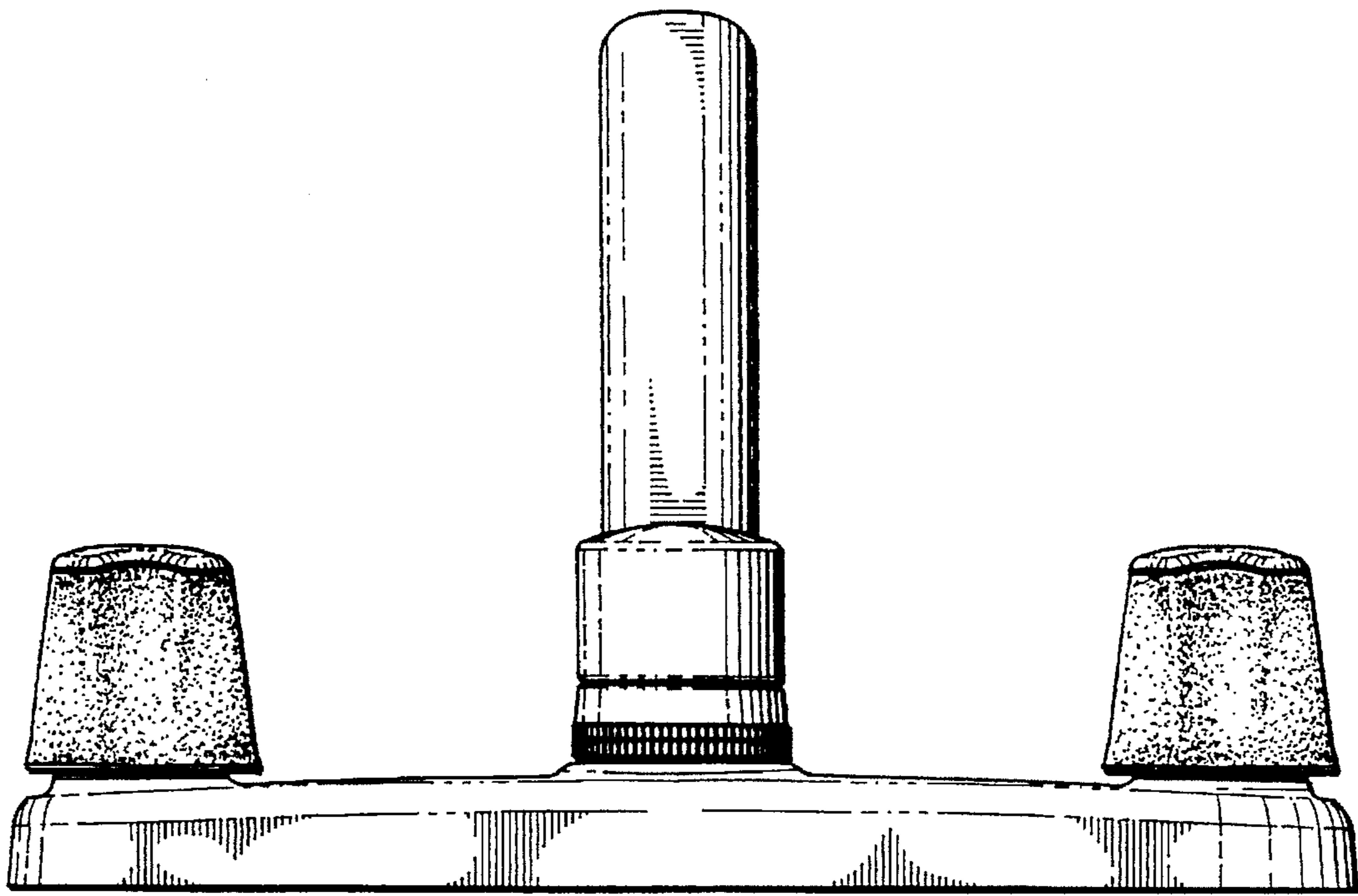


FIG. 3

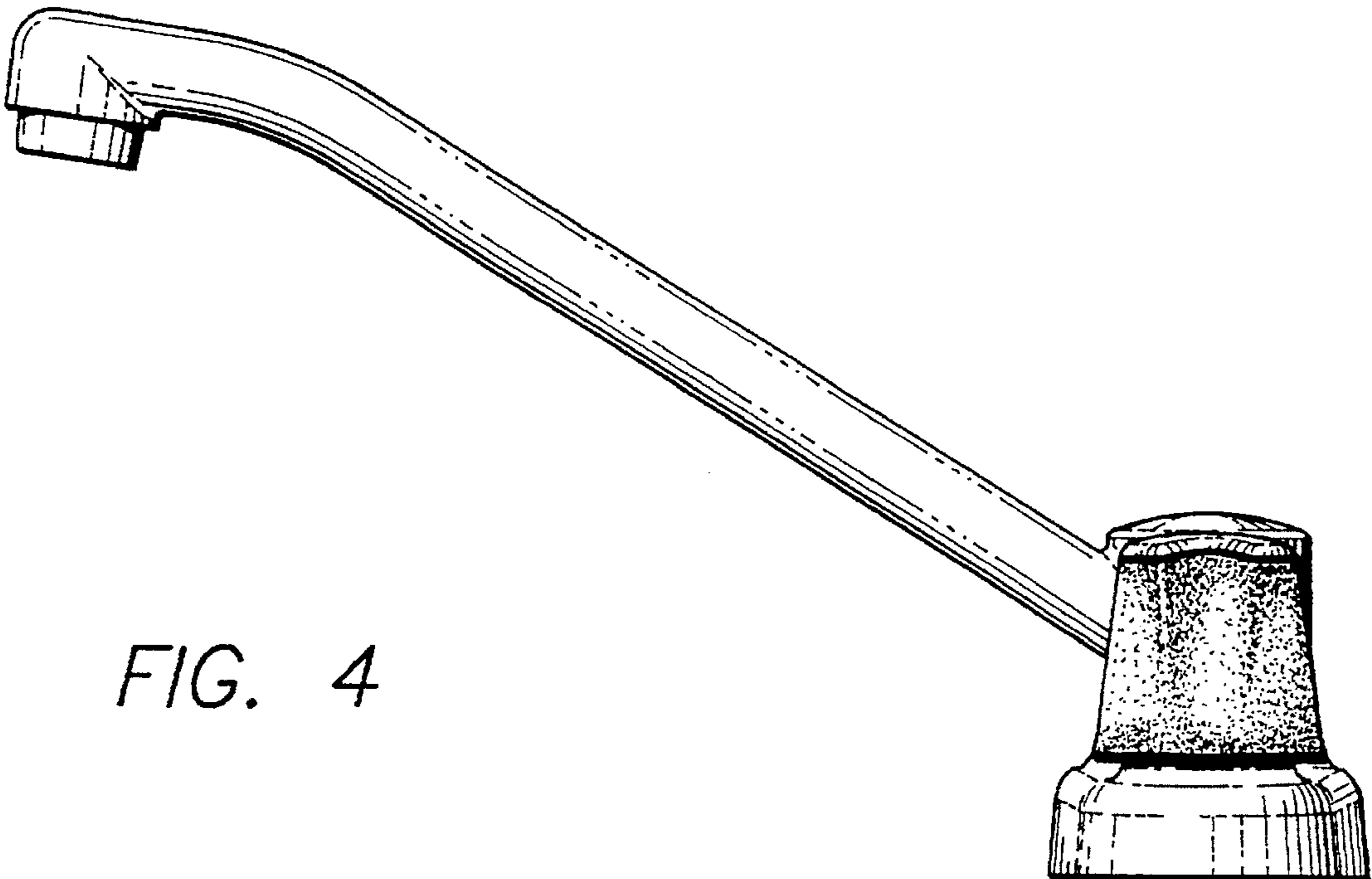


FIG. 4

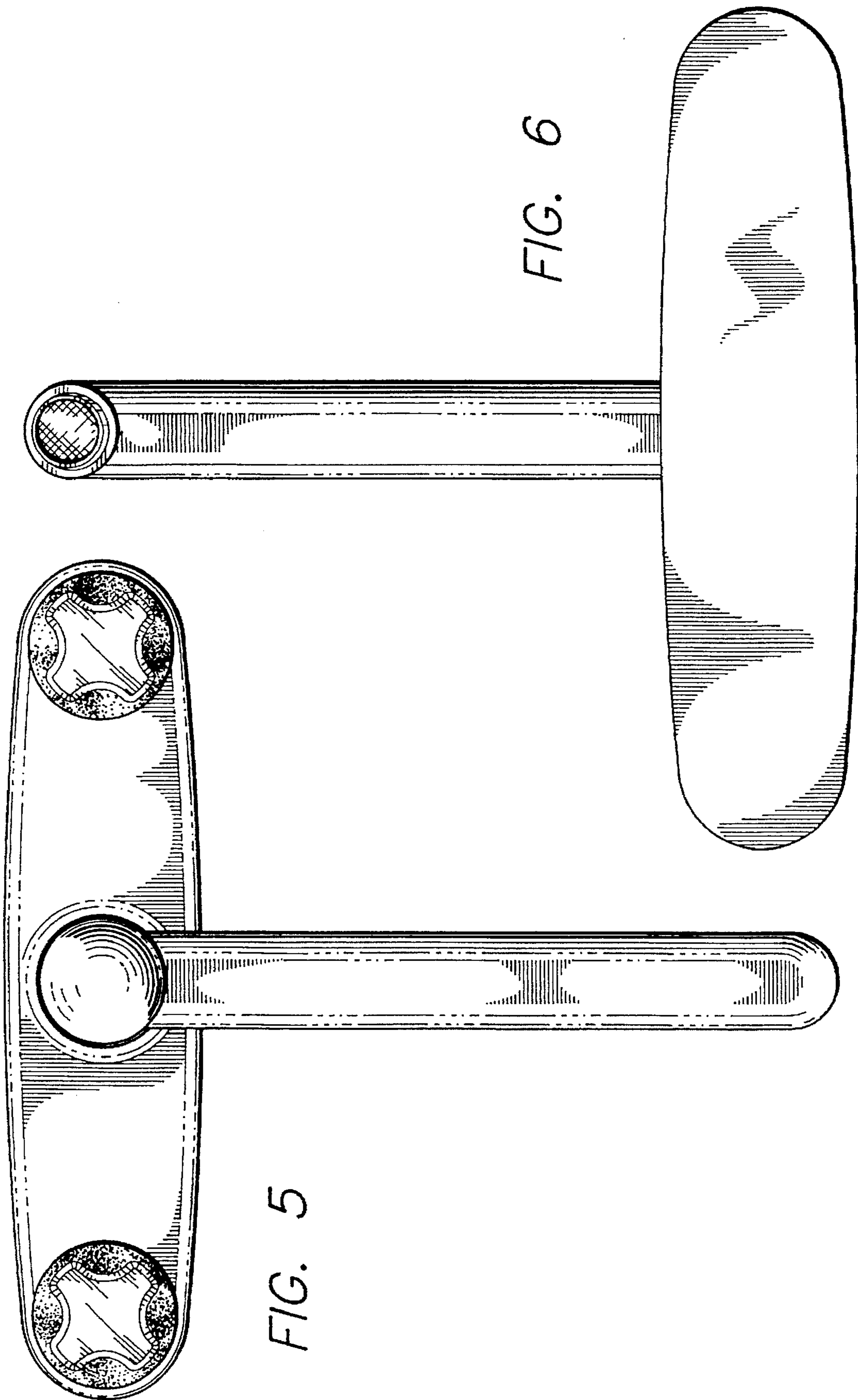


FIG. 5

FIG. 6