



US00D381401S

United States Patent [19]

Doughty et al.

[11] Patent Number: Des. 381,401

[45] Date of Patent: **Jul. 22, 1997

[54] FAUCET

[75] Inventors: **Frederic C. Doughty**, S. Pasadena;
Darren M. Mark, Castaic, both of Calif.

[73] Assignee: **Emhart Inc.**, Newark, Del.

[**] Term: **14 Years**

[21] Appl. No.: **44,384**

[22] Filed: **Sep. 22, 1995**

[51] LOC (6) Cl. **23-01**

[52] U.S. Cl. **D23/241**

[58] Field of Search D23/238-243,
D23/250-257; D8/300, 307, 310, 312; 4/675-678;
137/801

[56] **References Cited**

U.S. PATENT DOCUMENTS

- D. 176,447 12/1955 Cohen .
- D. 276,259 11/1984 Miller .
- D. 288,835 3/1987 Yost .
- D. 292,731 11/1987 Gomez .
- D. 293,362 12/1987 Hill et al. .

- D. 295,551 5/1988 Yost .
- D. 321,750 11/1991 Spangler .
- D. 359,342 6/1995 Doughty .
- D. 363,974 11/1995 Doughty et al. .

Primary Examiner—Louis S. Zarfes
Assistant Examiner—Eric Watterson
Attorney, Agent, or Firm—J. Bruce Hoofnagle

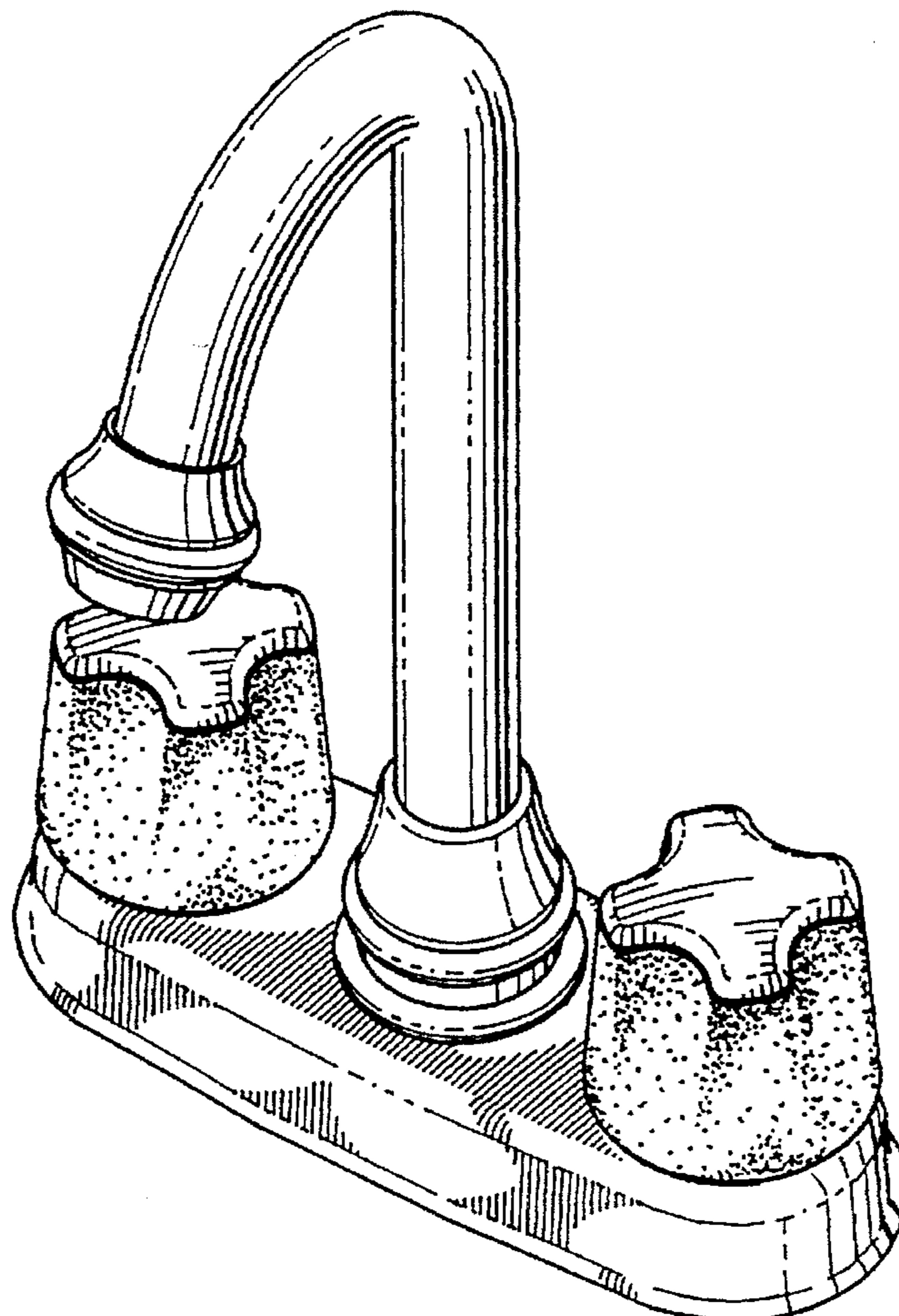
[57] **CLAIM**

The ornamental design for faucet, as shown and described.

DESCRIPTION

FIG. 1 is a perspective view of our new design of a faucet;
 FIG. 2 is a front elevational view of our new design of the faucet;
 FIG. 3 is a rear elevational view of our new design of the faucet;
 FIG. 4 is a right side elevational view of our new design of the faucet, a left side elevational view thereof being a mirror image of the right side elevational thereof;
 FIG. 5 is a top plan view of our new design of the faucet;
 and,
 FIG. 6 is a bottom plan view of our new design of the faucet.

1 Claim, 3 Drawing Sheets



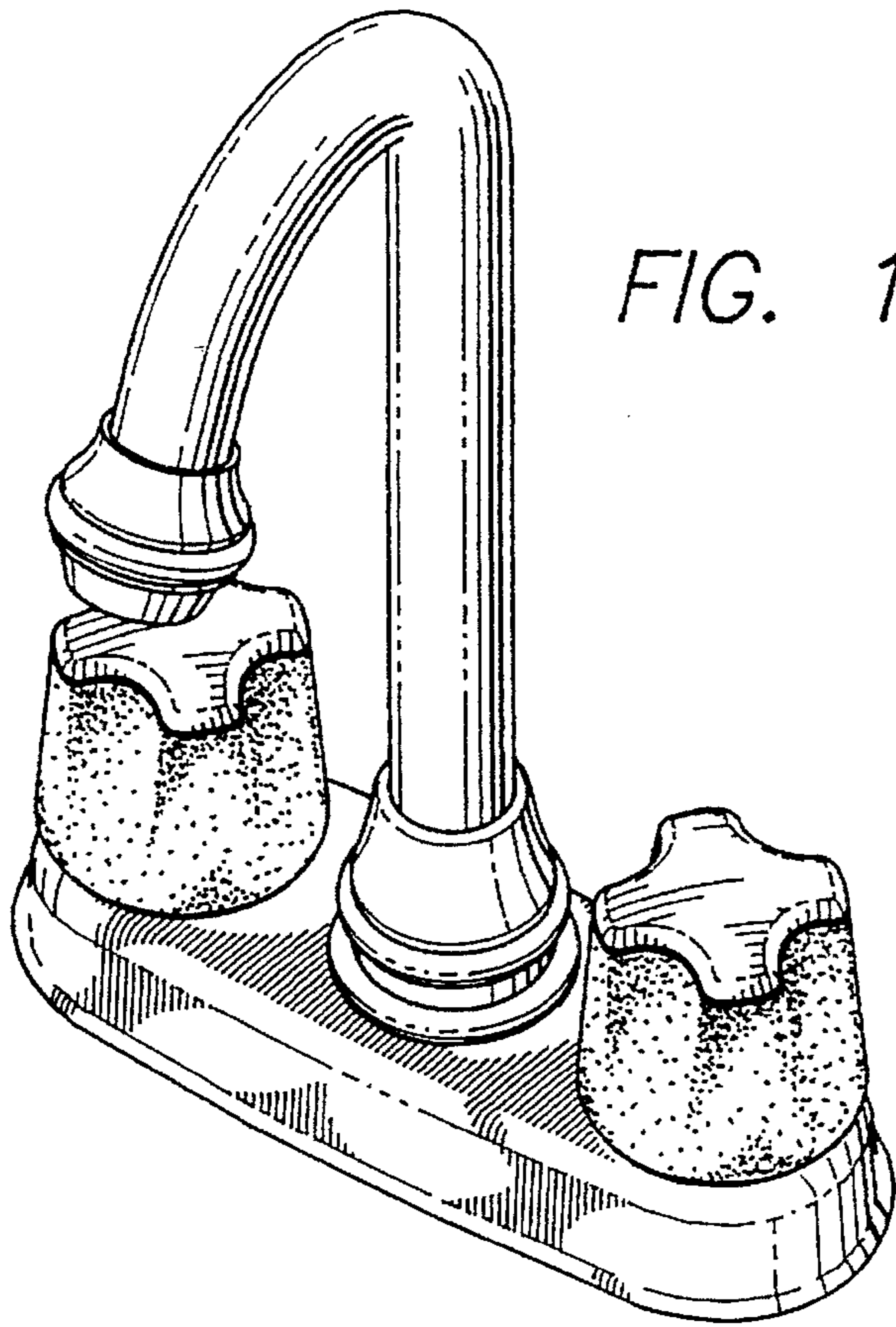
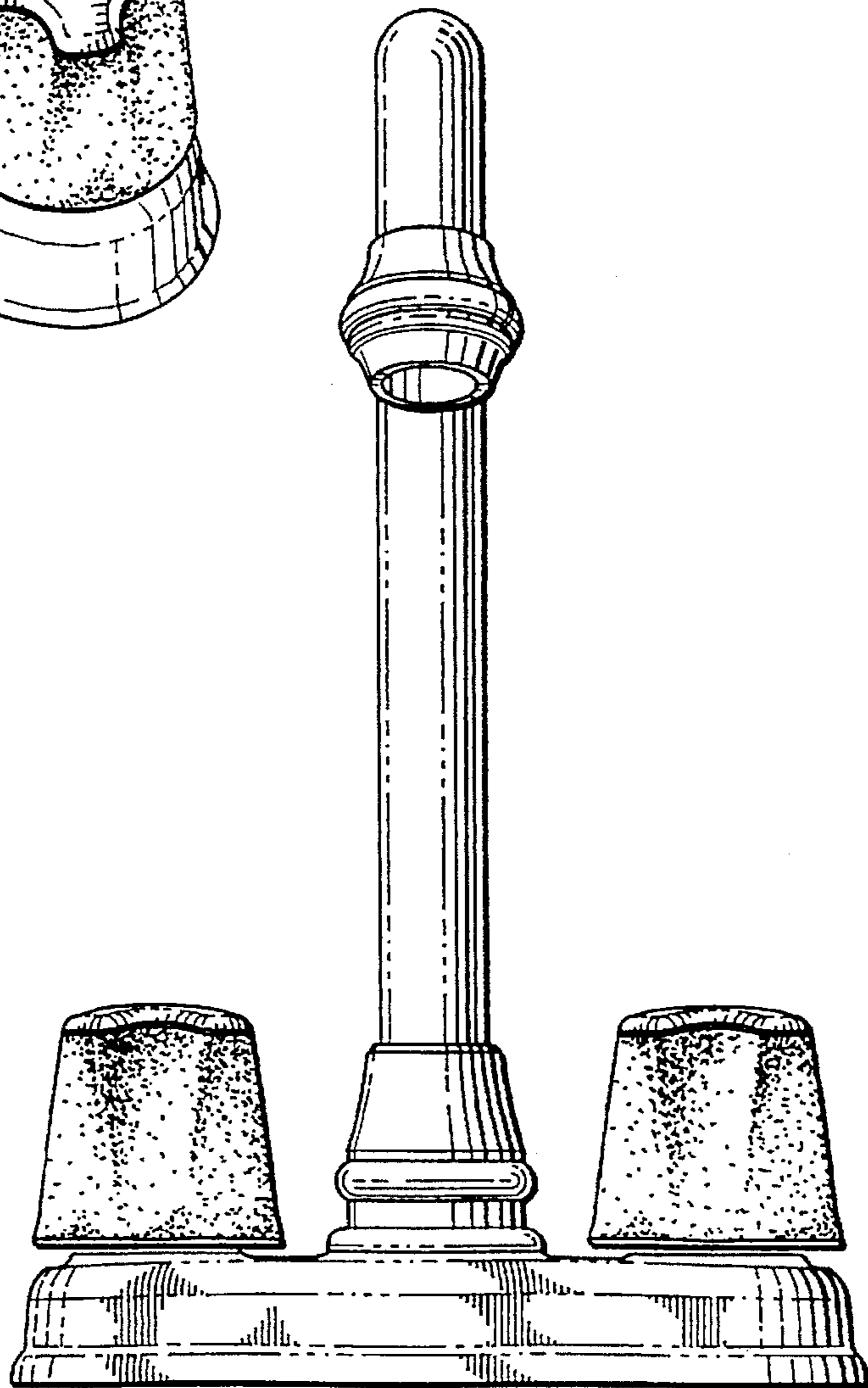


FIG. 1

FIG. 2



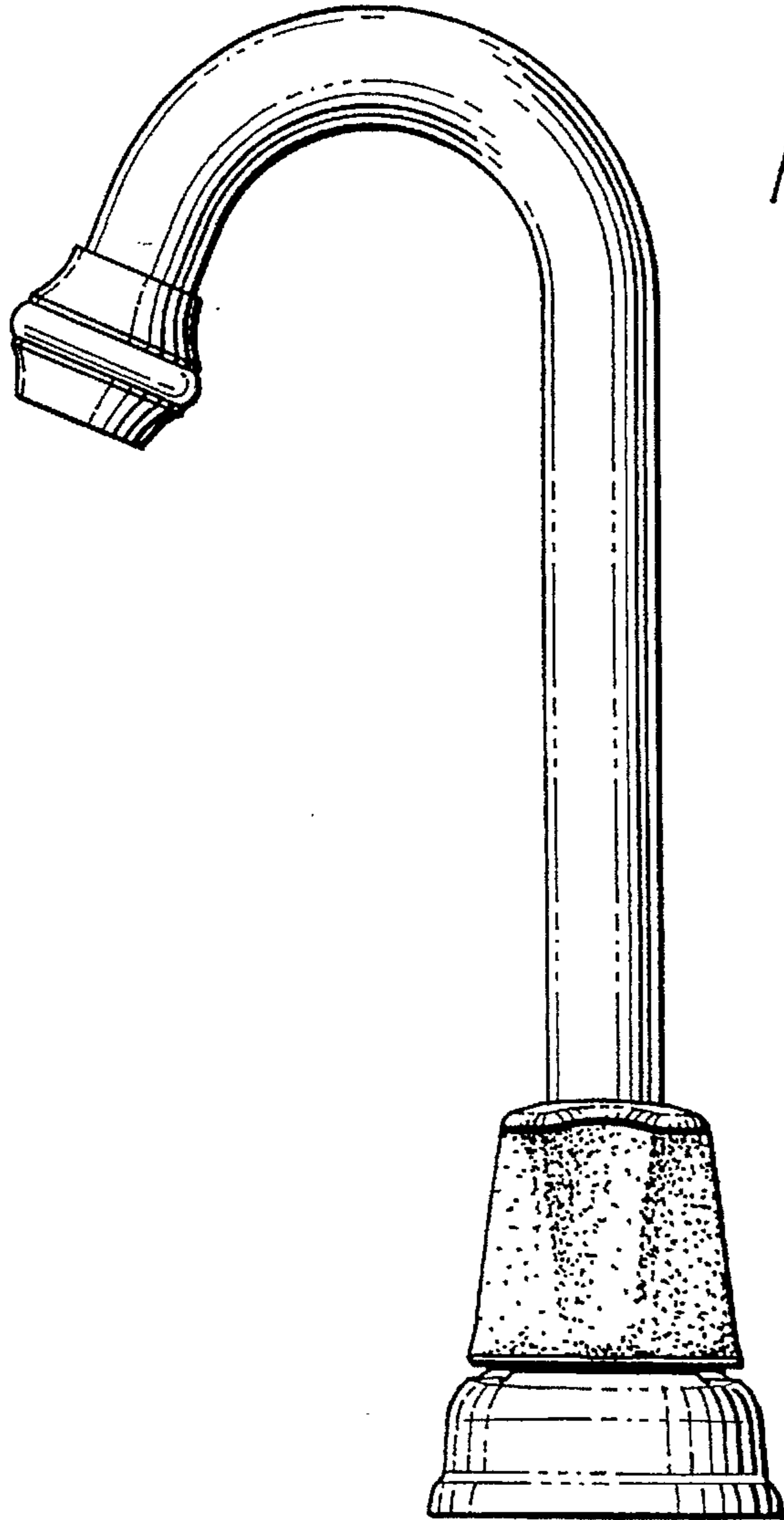


FIG. 4

FIG. 3

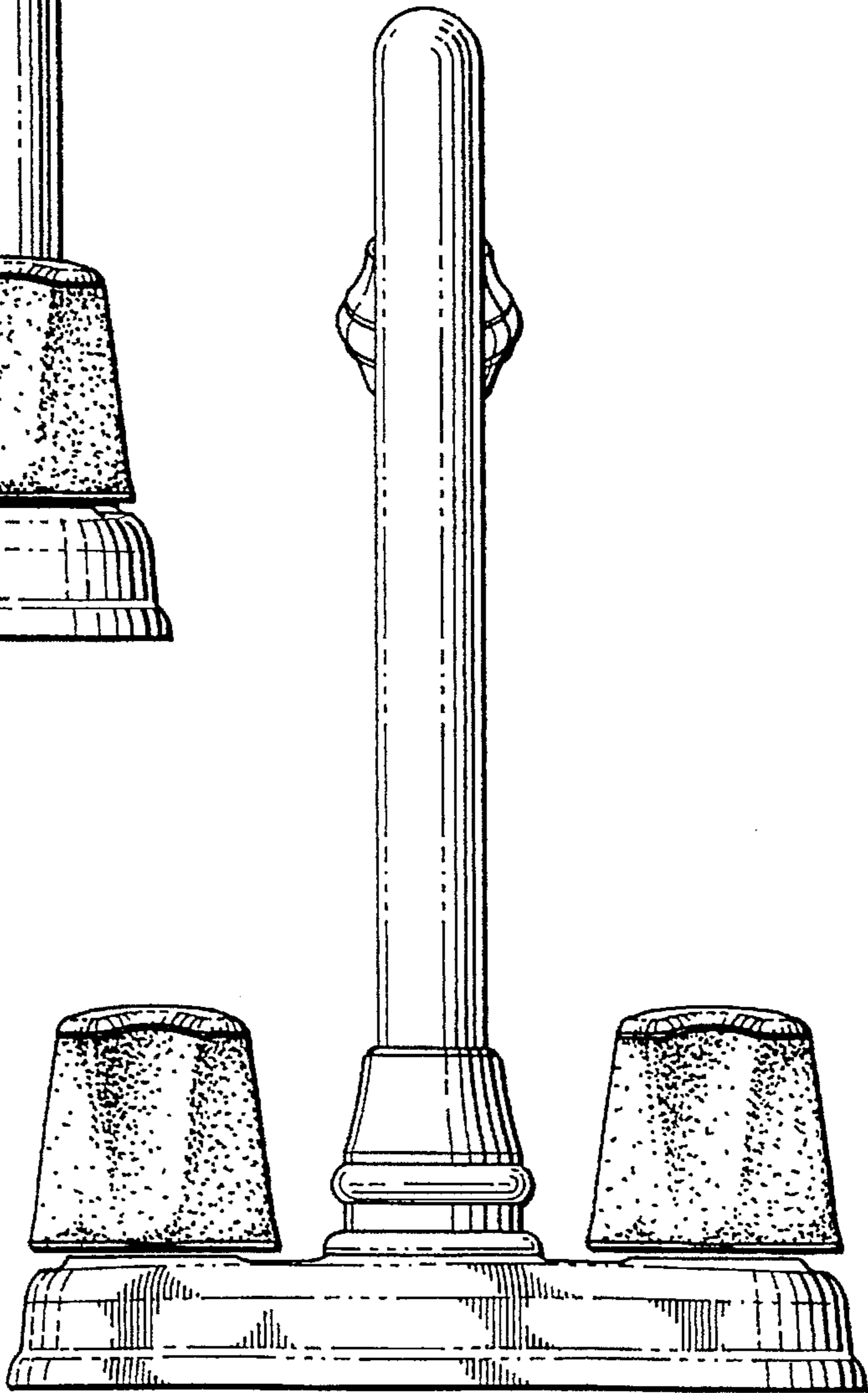


FIG. 5

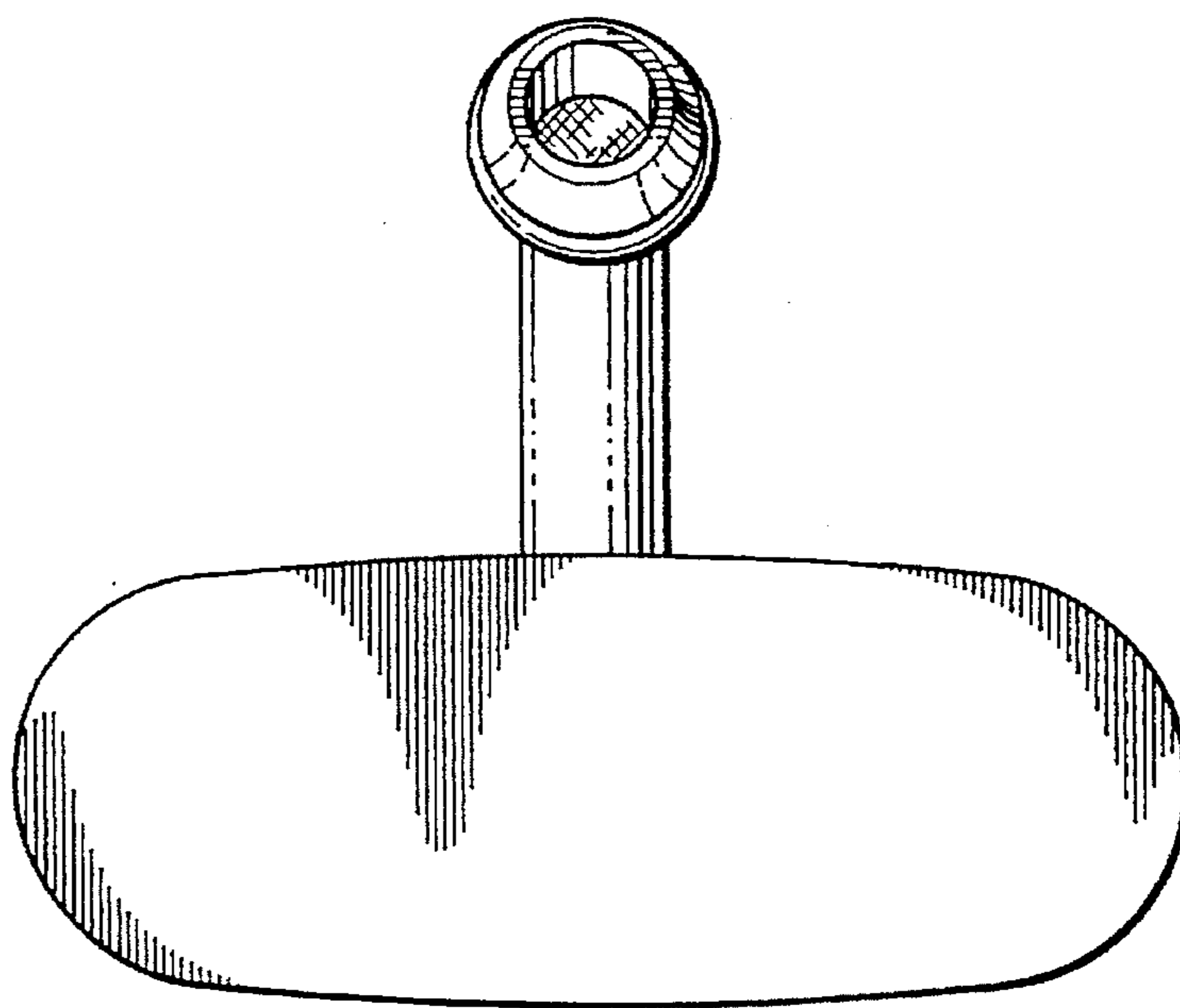
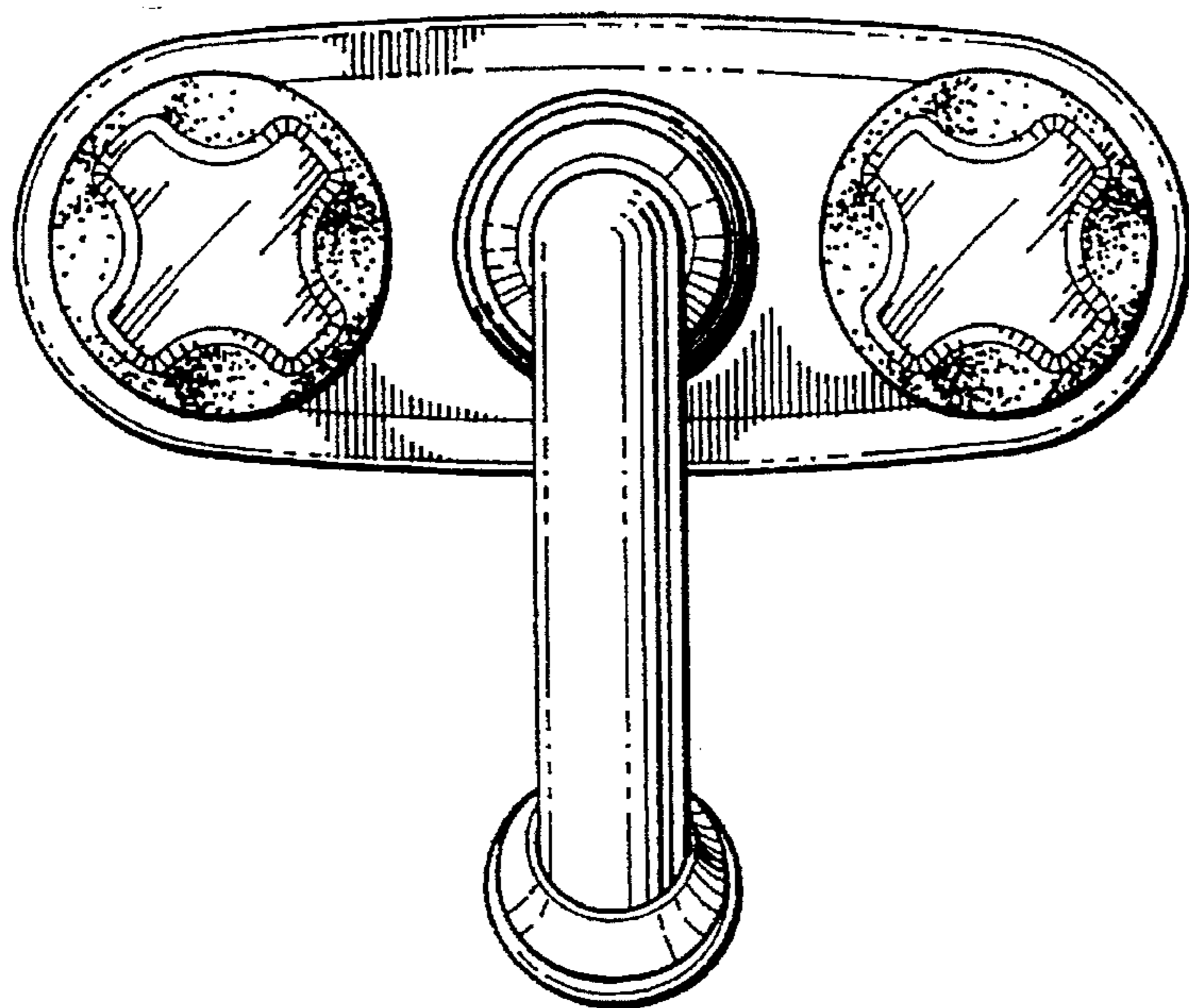


FIG. 6