



US00D381398S

United States Patent [19]

Doughty et al.

[11] Patent Number: **Des. 381,398**

[45] Date of Patent: ****Jul. 22, 1997**

[54] **FAUCET BODY**

[75] Inventors: **Frederic C. Doughty**, S. Pasadena;
Darren M. Mark, Castaic, both of Calif.

[73] Assignee: **Emhart Inc.**, Newark, Del.

[**] Term: **14 Years**

[21] Appl. No.: **44,302**

[22] Filed: **Sep. 22, 1995**

[51] LOC (6) Cl. **23-01**

[52] U.S. Cl. **D23/241**

[58] Field of Search D23/238-241,
D23/250-257; 4/675-678; 137/801

[56] **References Cited**

U.S. PATENT DOCUMENTS

- D. 045,861 6/1914 Divekey .
- D. 139,354 11/1944 Trombley .
- D. 143,384 12/1945 Zinkil et al. .
- D. 143,385 12/1945 Zinkil et al. .
- D. 171,571 3/1954 Baker, Jr. .
- D. 187,846 5/1960 Brown D23/241
- D. 190,791 6/1961 Kohler D23/241
- D. 192,003 12/1961 Young .
- D. 200,042 1/1965 Mackay .
- D. 203,324 12/1965 Landell .
- D. 229,495 12/1973 Landell .
- D. 258,521 3/1981 Thevenot .
- D. 276,645 12/1984 Piesco D23/241
- D. 280,231 8/1985 Niemann .

- D. 288,836 3/1987 Yost .
- D. 295,661 5/1988 Kohler, Jr. et al. .
- D. 299,518 1/1989 Yost .
- D. 323,877 2/1992 Haug et al. .
- D. 346,852 5/1994 Hill .
- 4,747,428 5/1988 Crawford et al. .

FOREIGN PATENT DOCUMENTS

238782 2/1990 Japan .

Primary Examiner—Louis S. Zarfes
Assistant Examiner—Eric Wotterson
Attorney, Agent, or Firm—J. Bruce Hoofnagle

[57] **CLAIM**

The ornamental design for faucet body, as shown and described.

DESCRIPTION

FIG. 1 is a perspective view of our new design of a faucet body;

FIG. 2 is a front elevational view of our new design of the faucet body;

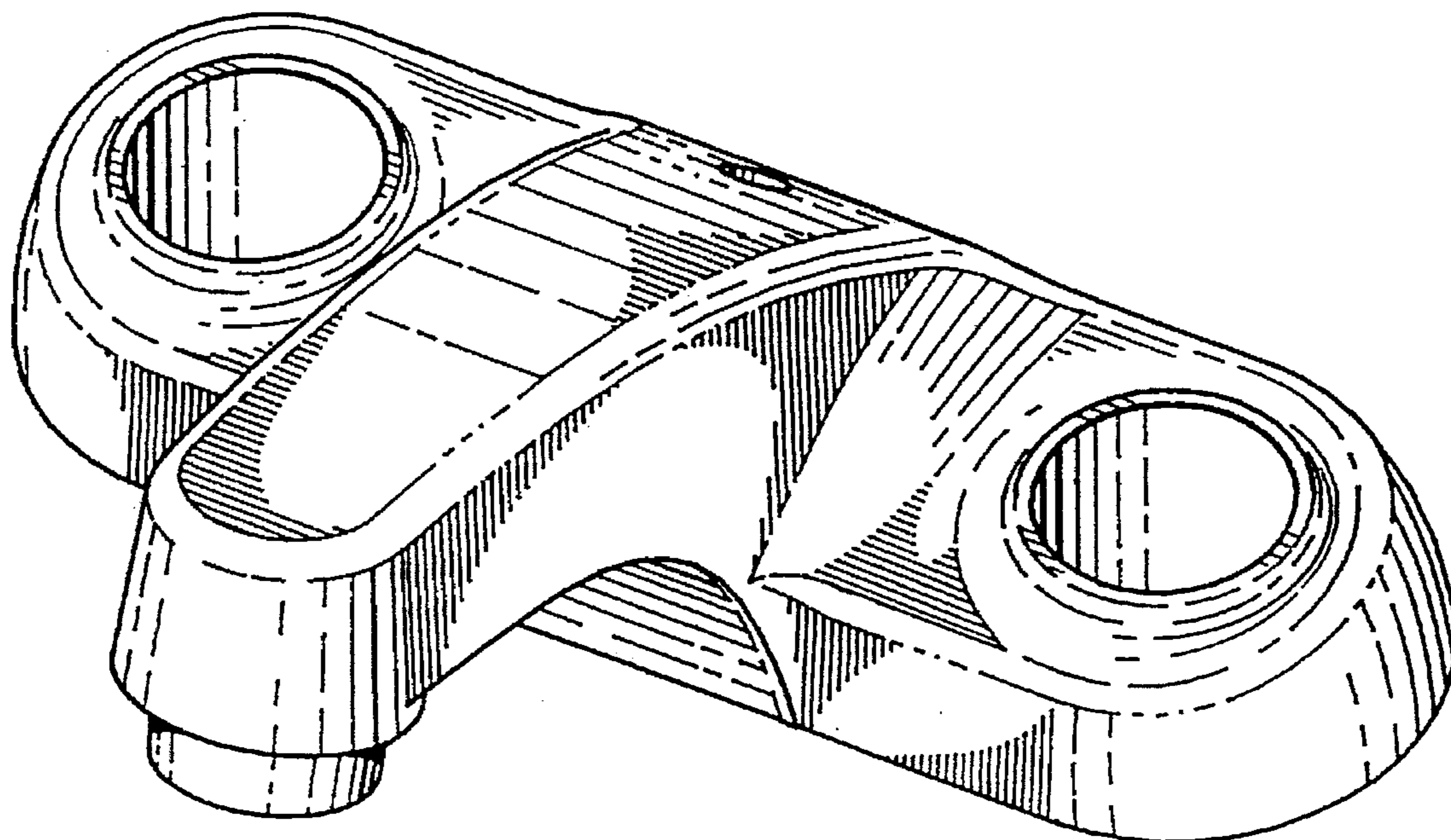
FIG. 3 is a rear elevational view of our new design of the faucet body;

FIG. 4 is a left side elevational view of our new design of the faucet body, a right side elevational view thereof being a mirror image of the left side elevational thereof;

FIG. 5 is a top plan view of our new design of the faucet body; and,

FIG. 6 is a bottom plan view of our new design of the faucet body.

1 Claim, 3 Drawing Sheets



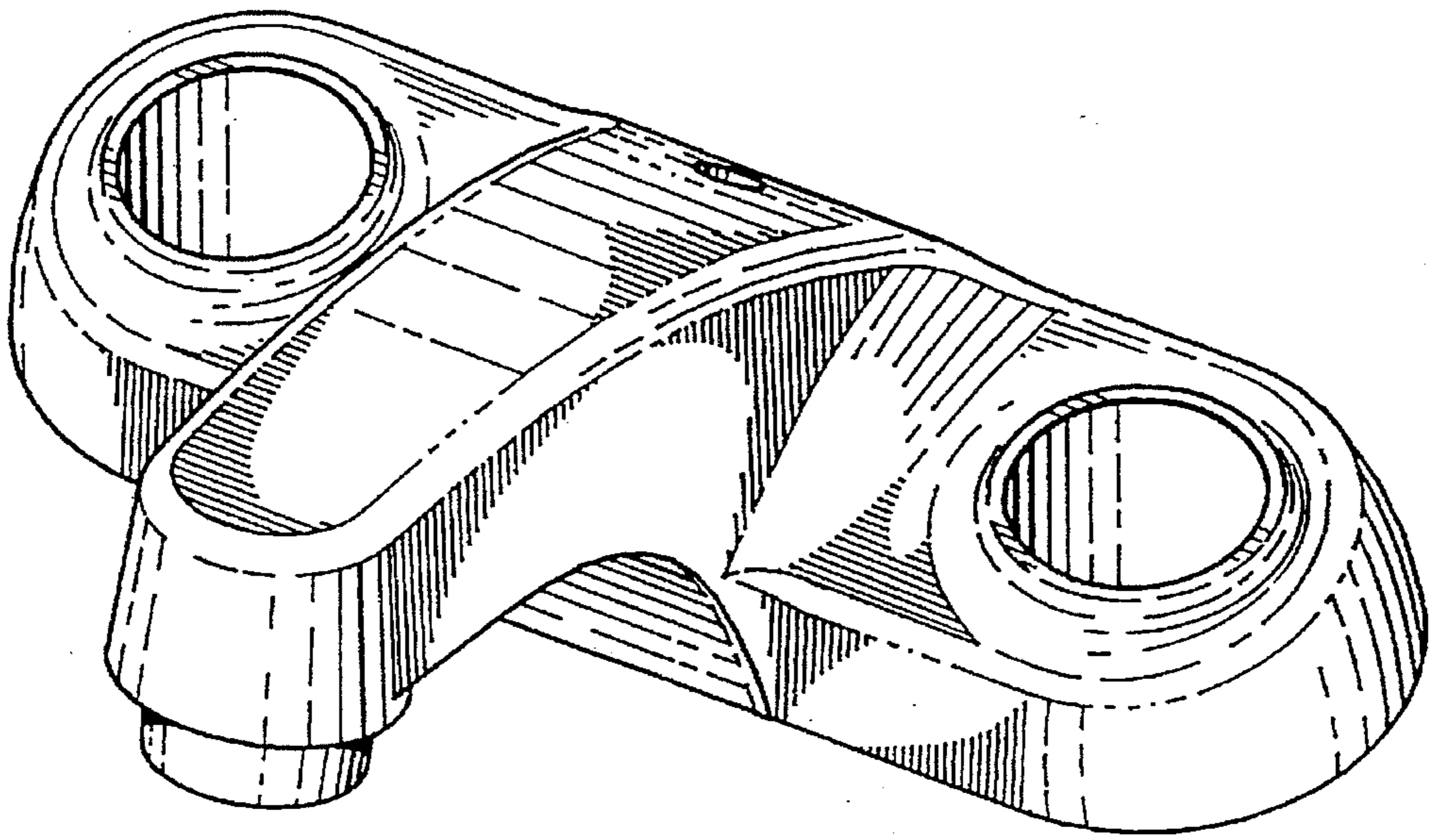


FIG. 1

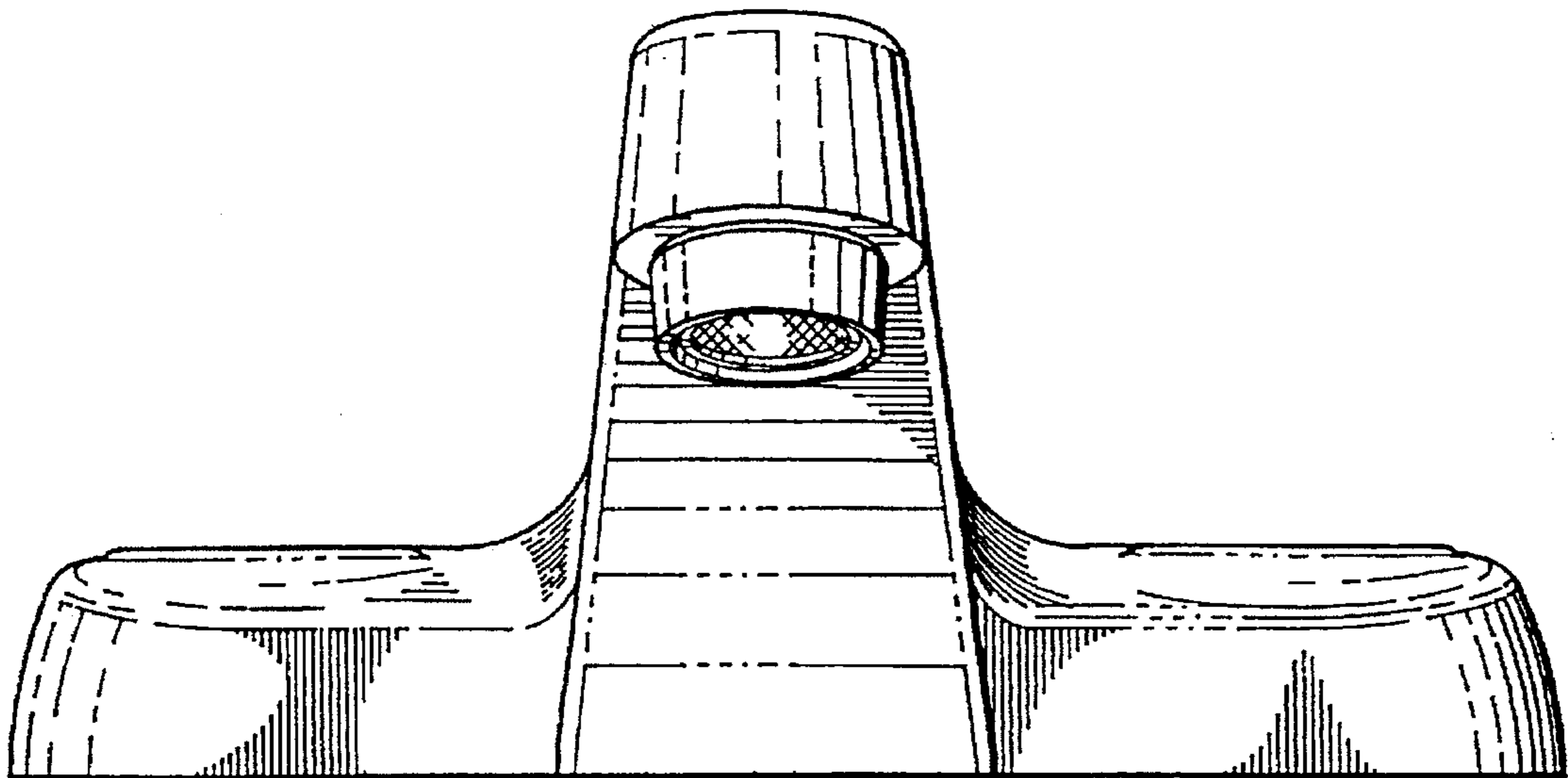


FIG. 2

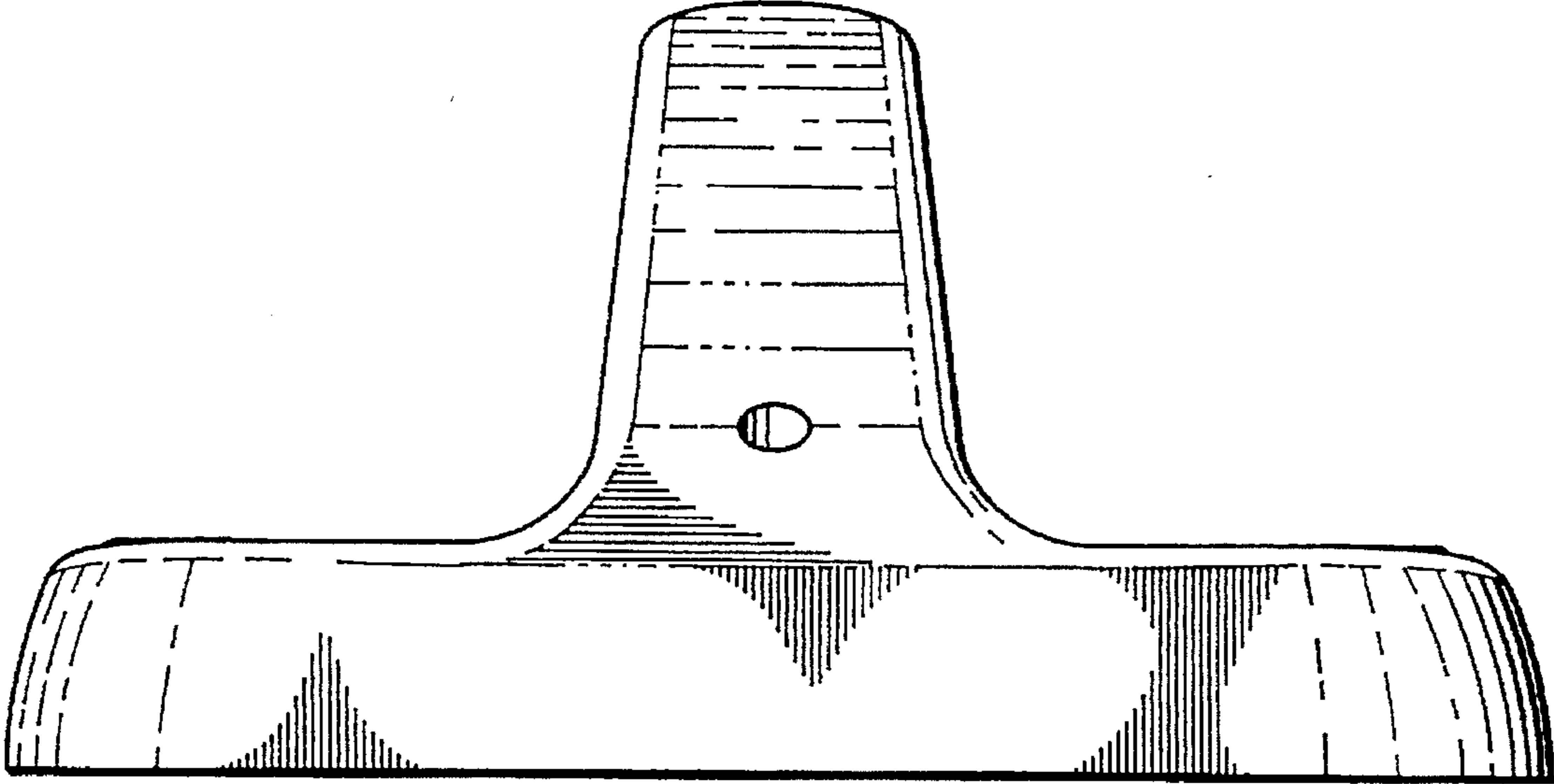


FIG. 3

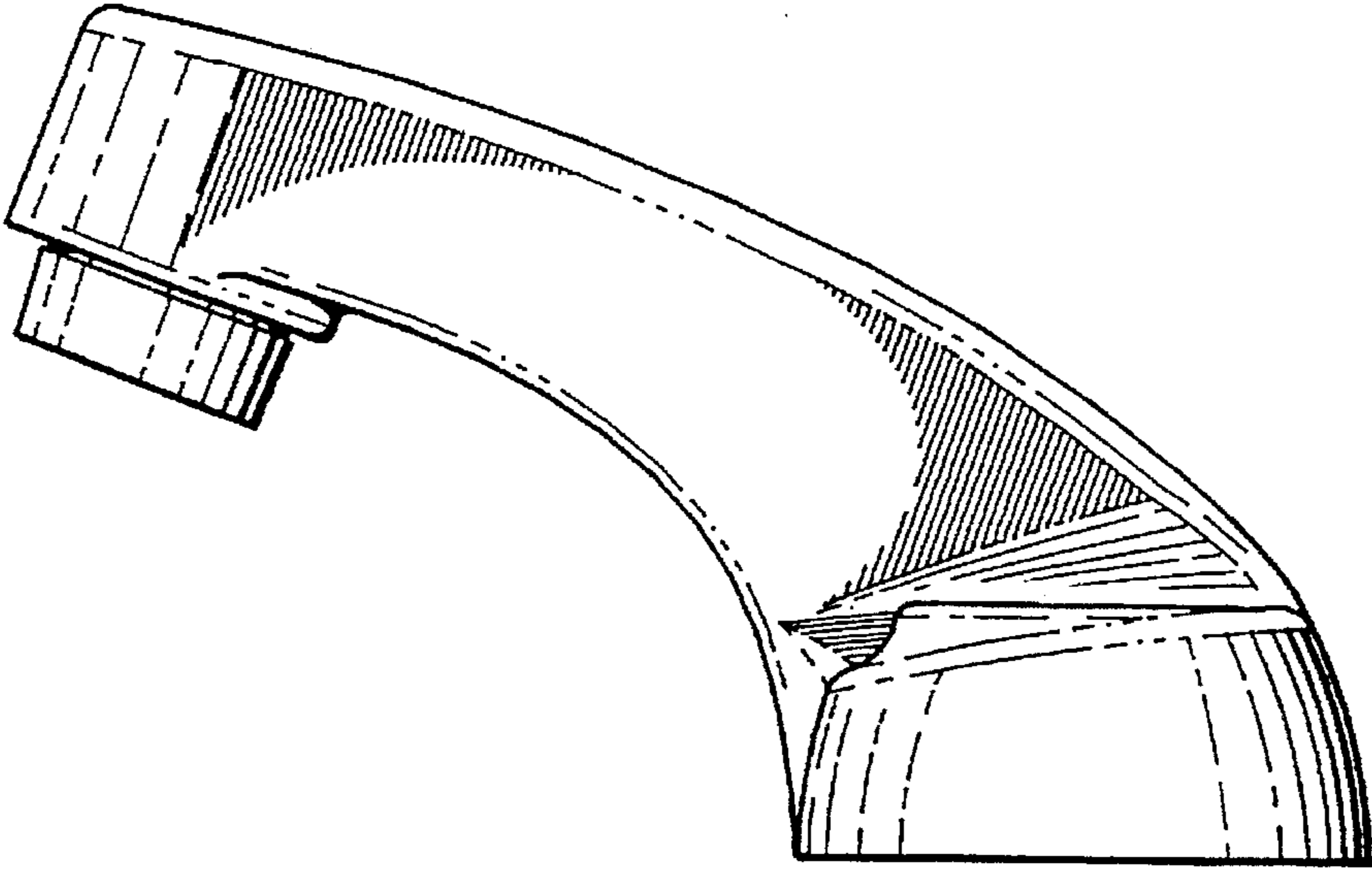


FIG. 4

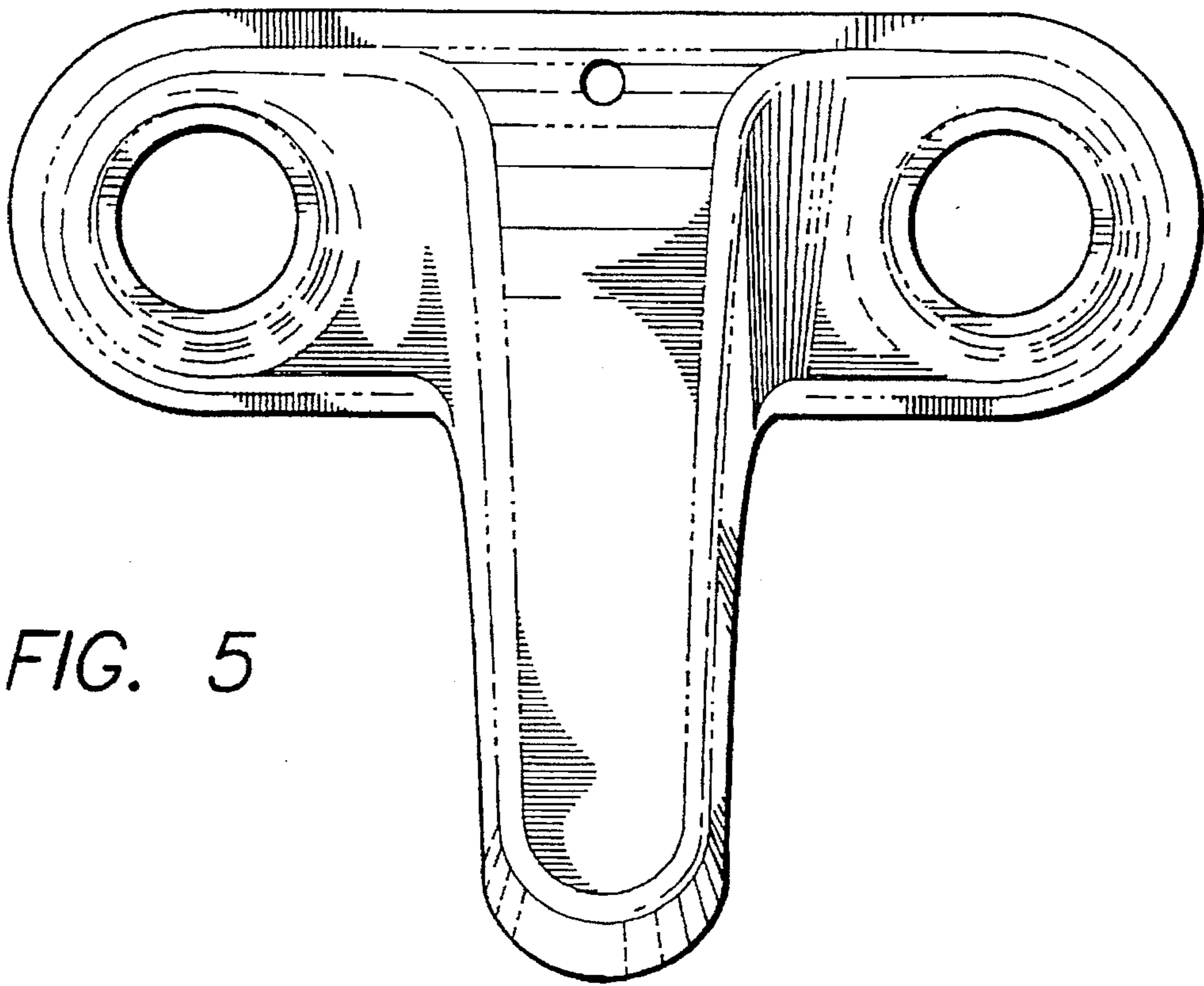


FIG. 5

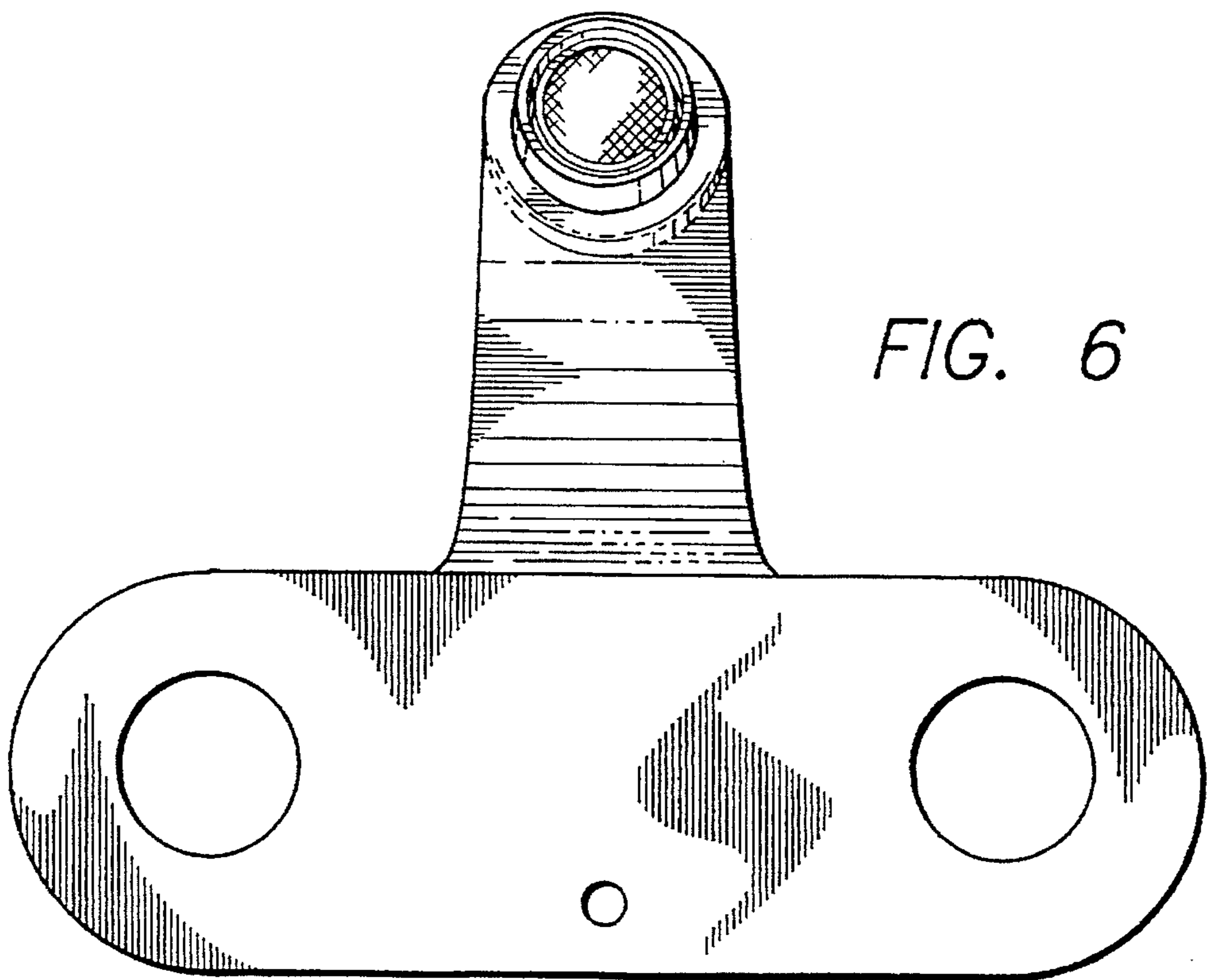


FIG. 6