



US00D381397S

United States Patent [19] Steffes

[11] Patent Number: **Des. 381,397**

[45] Date of Patent: ****Jul. 22, 1997**

[54] **FAUCET BODY**

[75] Inventor: **Rudolf Steffes**, Mueckeln, Germany

[73] Assignee: **American Standard Inc.**, Piscataway, N.J.

[**] Term: **14 Years**

[21] Appl. No.: **38,126**

[22] Filed: **Apr. 26, 1995**

[51] LOC (6) Cl. **23-01**

[52] U.S. Cl. **D23/238; D23/238**

[58] Field of Search **D23/233-269; D8/352, 353, 397, 398; 4/675-678**

[56] **References Cited**

U.S. PATENT DOCUMENTS

D. 115,811	7/1939	Reinecke	D23/241
D. 181,595	12/1957	McLean	D23/241
D. 190,711	6/1961	Kohler	D91/3
D. 203,324	12/1965	Landell	D23/241
D. 237,613	11/1975	Saporito et al.	D23/25
D. 237,615	11/1975	Saporito	D23/241
D. 253,799	1/1980	Saporito et al.	D23/25

D. 258,835	4/1981	Saporito et al.	D23/25
D. 299,495	1/1989	Landell	D23/241
D. 346,852	5/1994	Hill	D23/241
3,796,380	3/1974	Johnson et al.	239/590.5
4,026,328	5/1977	Nelson	137/801
4,976,287	12/1990	Sheen	137/801

Primary Examiner—Louis S. Zarfes
Assistant Examiner—Gregory Andoll
Attorney, Agent, or Firm—Ann M. Knab; Elaine Brenner Robinson

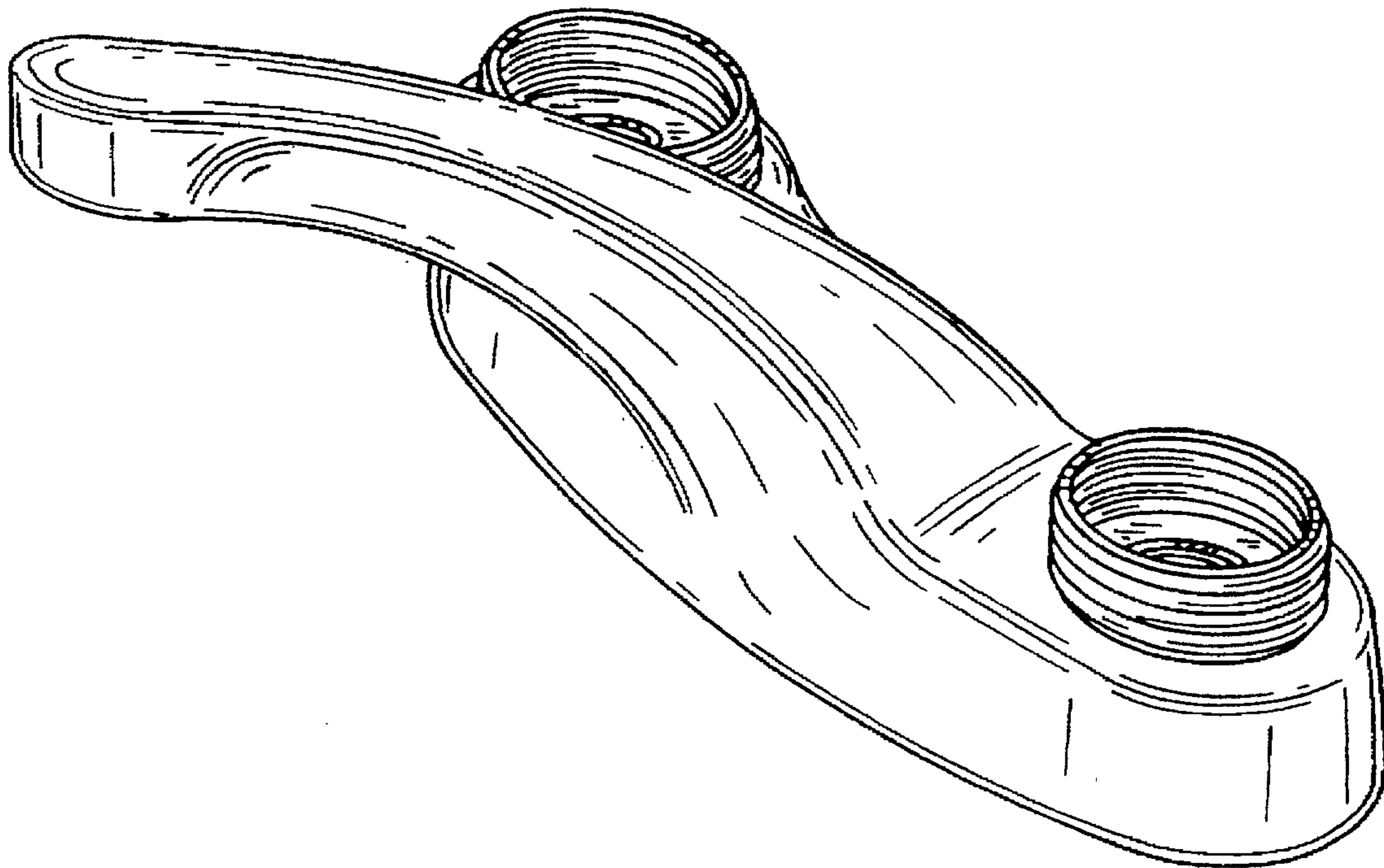
[57] **CLAIM**

The ornamental design for a faucet body, as shown and described.

DESCRIPTION

FIG. 1 is a perspective view of a faucet body showing my new design;
FIG. 2 is a rear elevational view thereof;
FIG. 3 is a left side elevational view thereof, the right side view being a mirror image of the left side;
FIG. 4 is a top plan view thereof;
FIG. 5 is a bottom plan thereof; and,
FIG. 6 is a front elevational view.

1 Claim, 3 Drawing Sheets



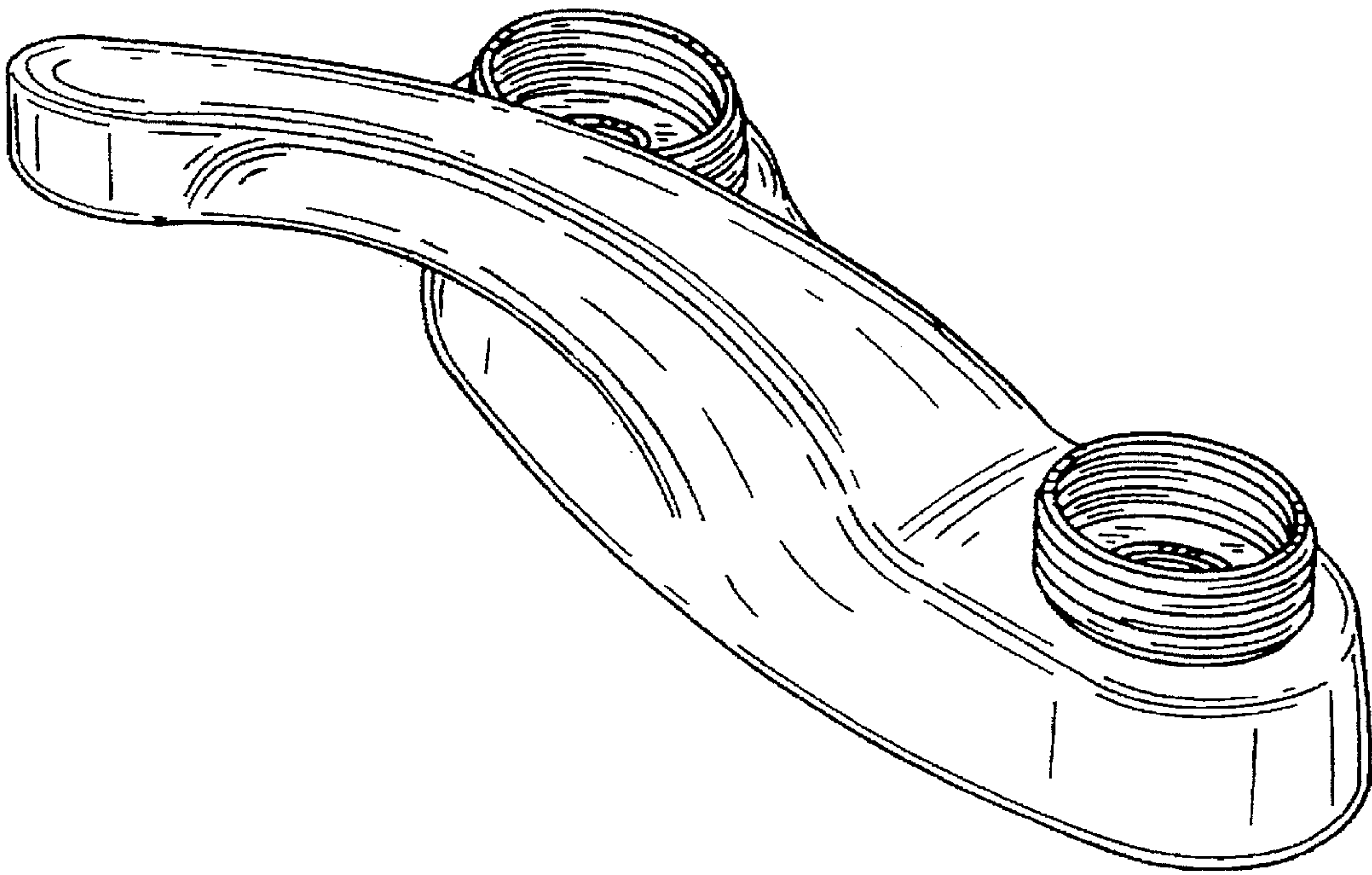


FIG. 1

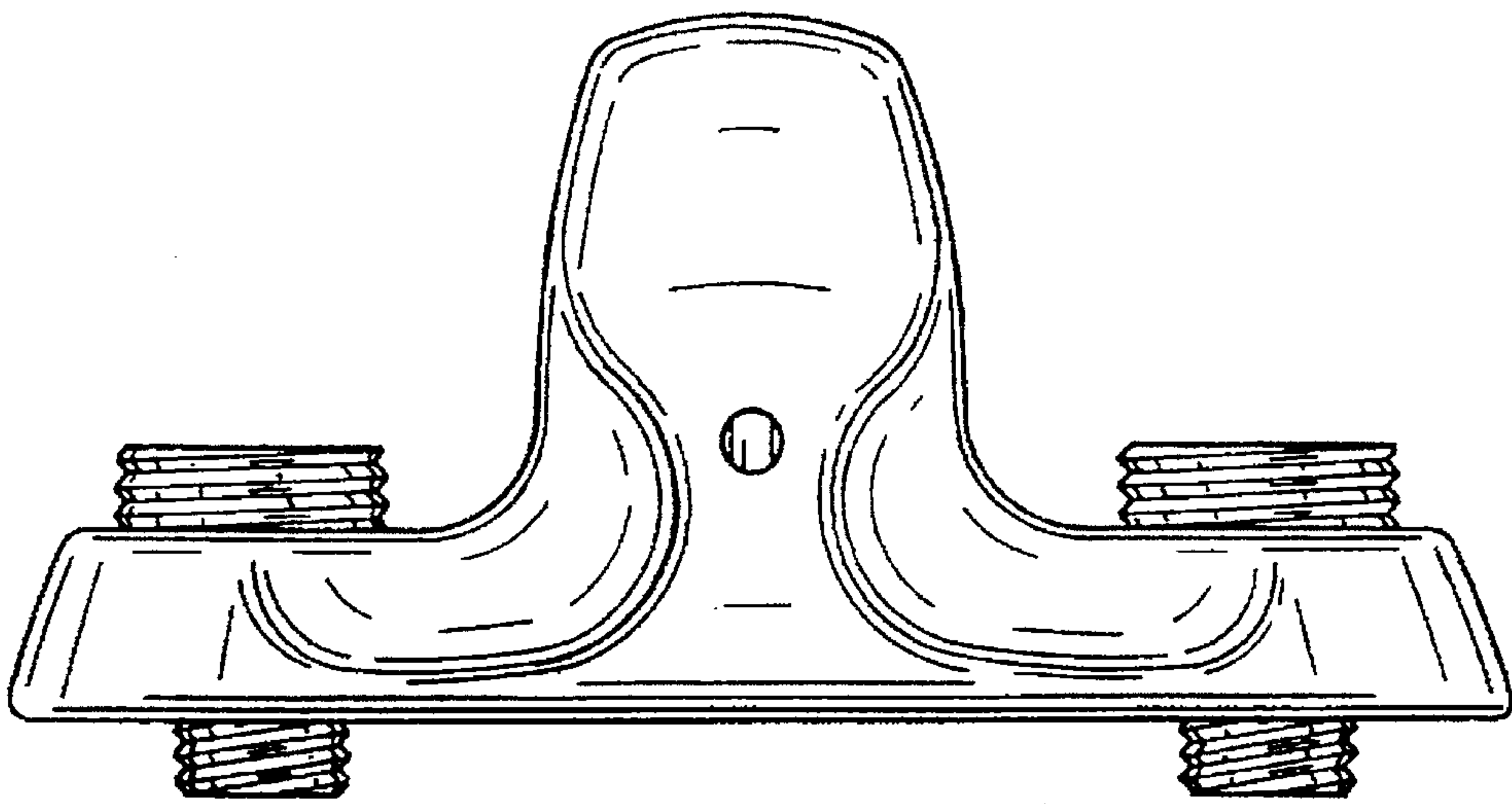


FIG. 2

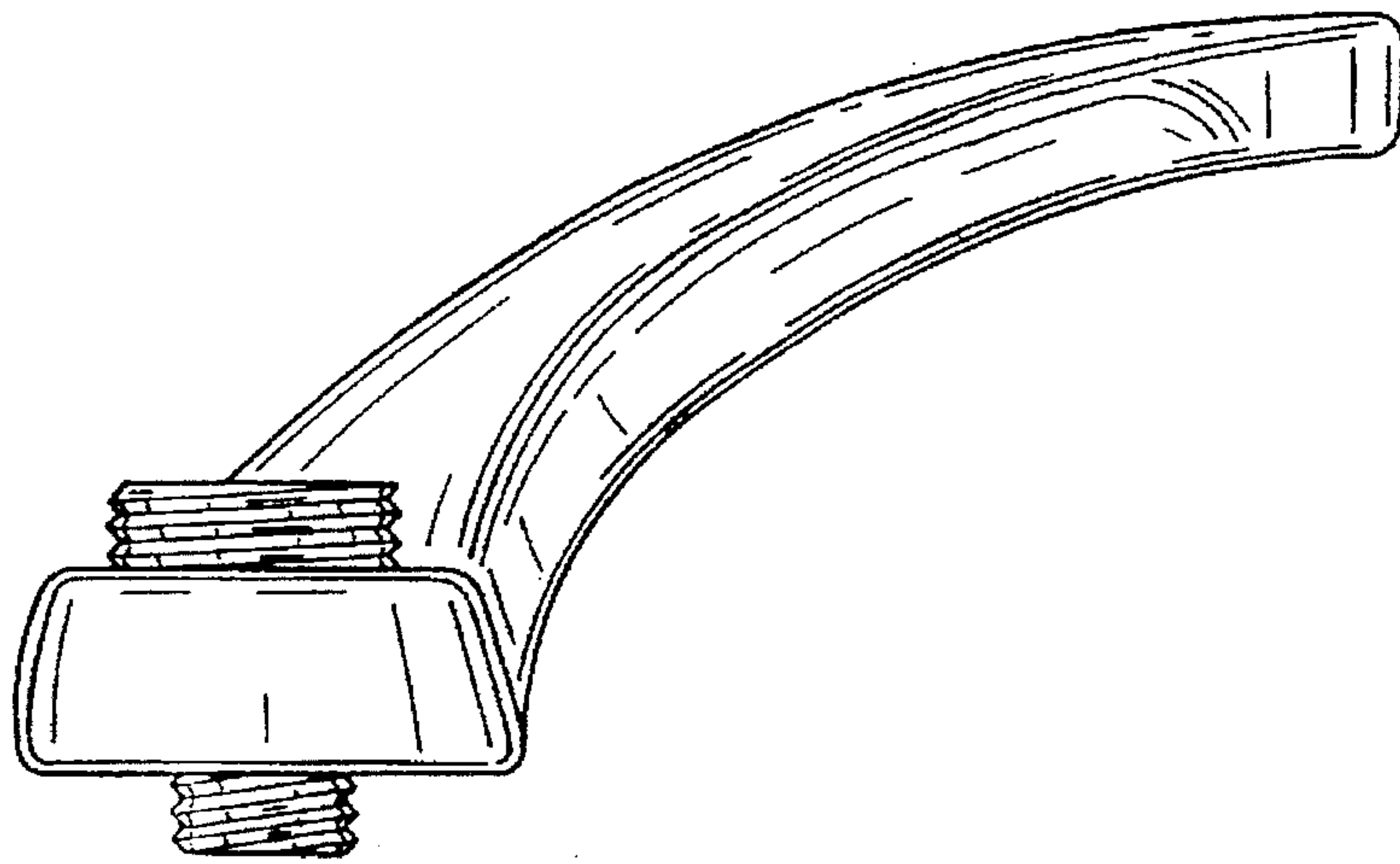


FIG. 3

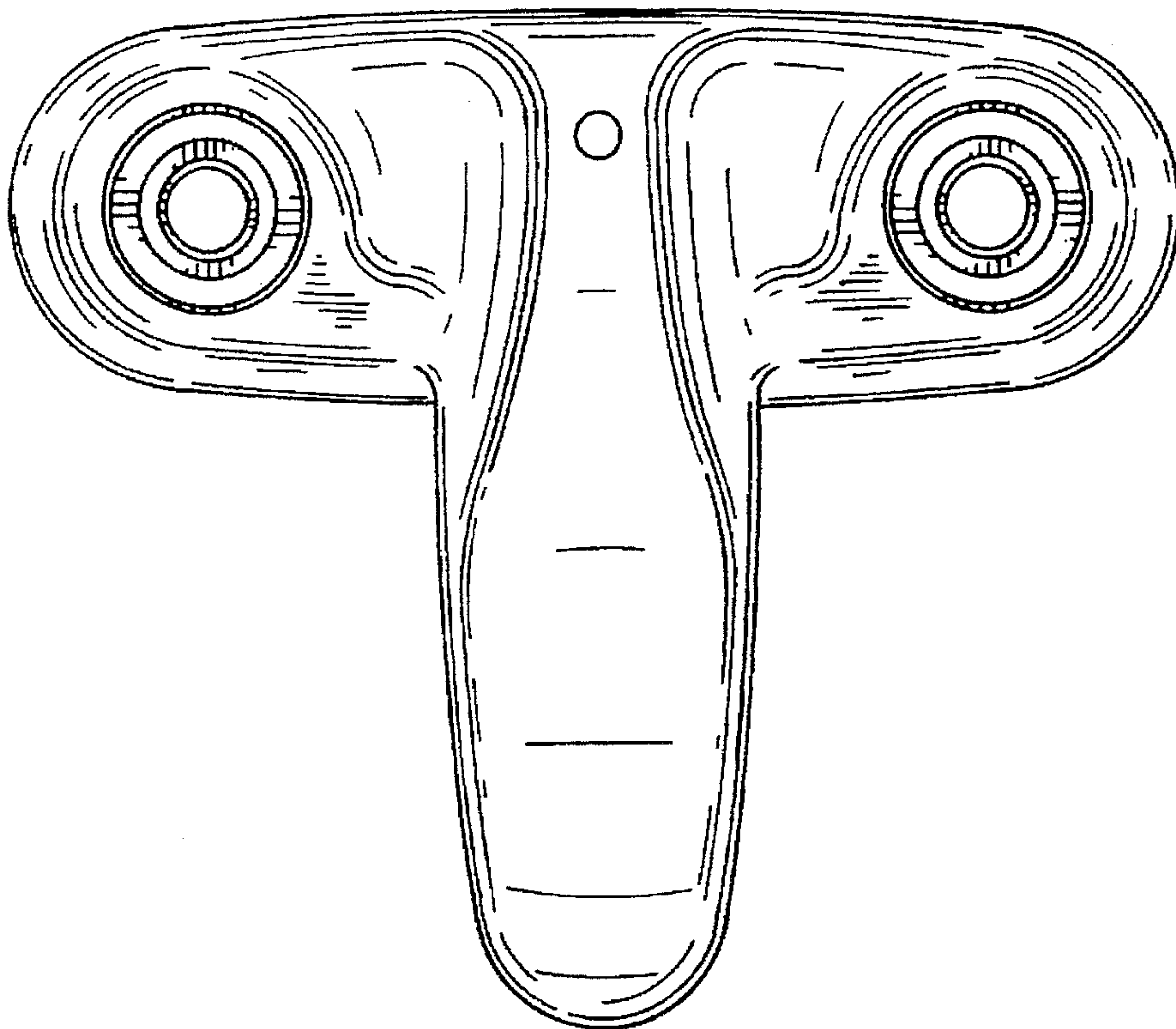


FIG. 4

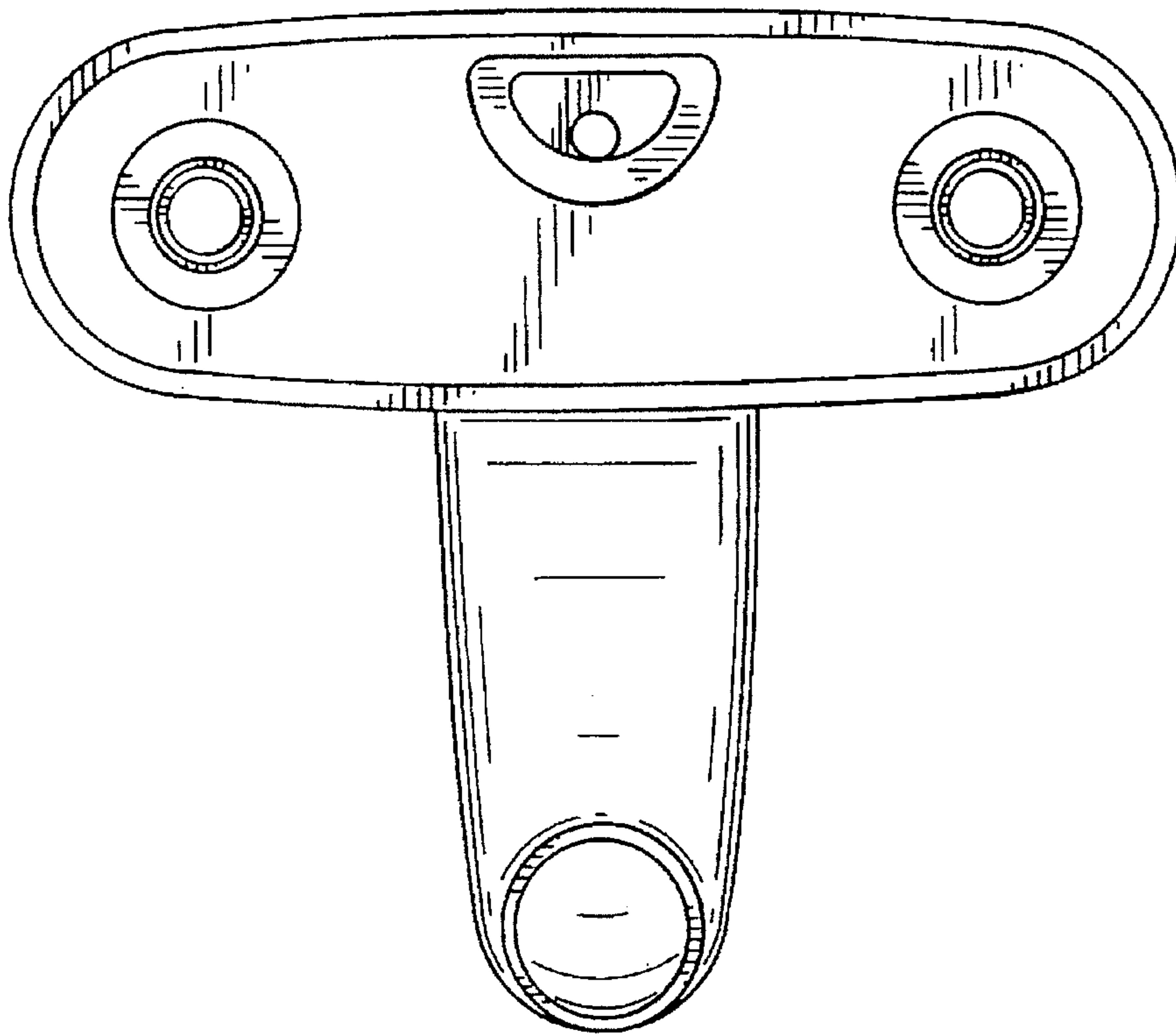


FIG. 5

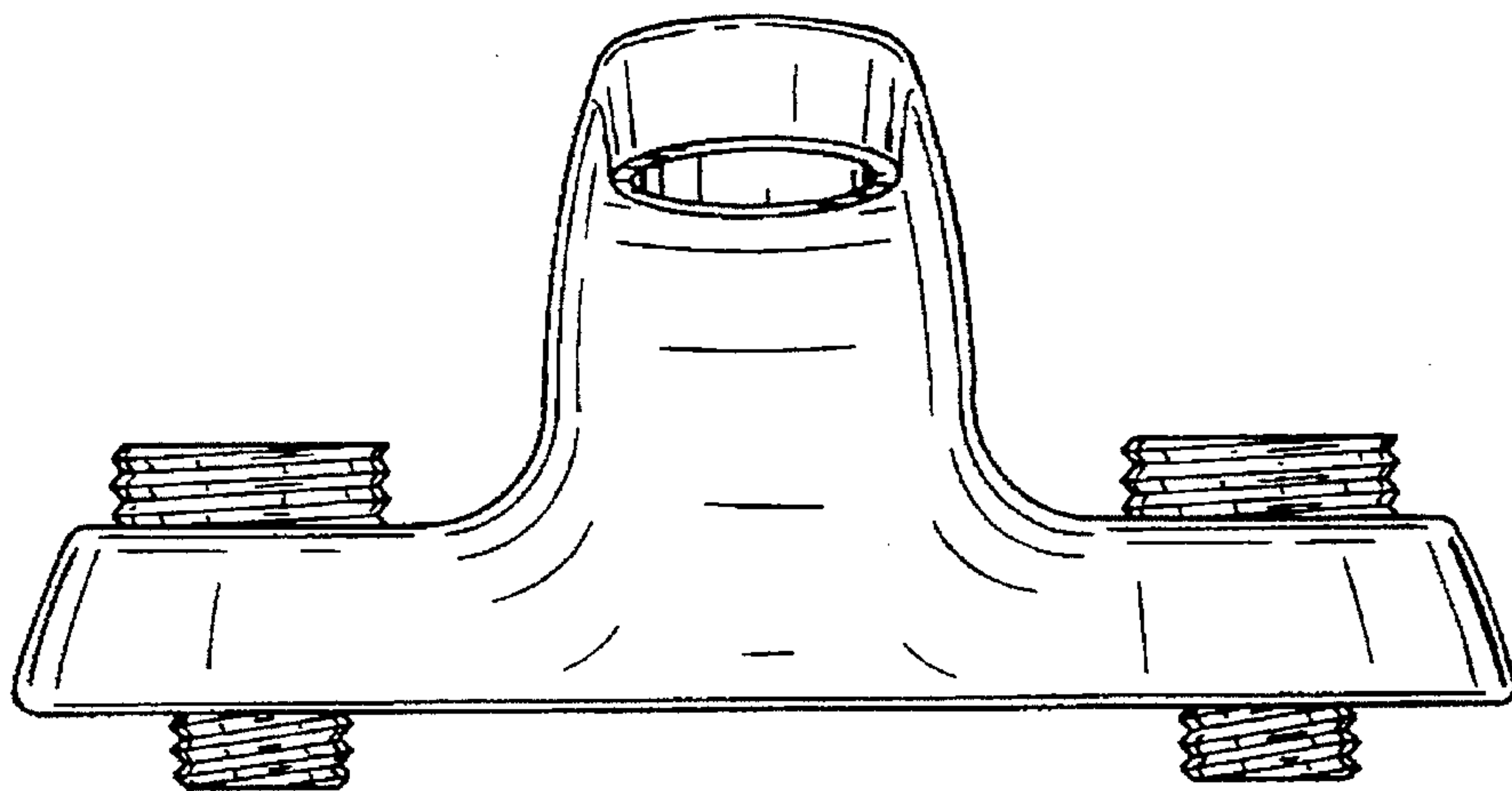


FIG. 6