



US00D381396S

United States Patent [19]

Paterson et al.

[11] Patent Number: **Des. 381,396**

[45] Date of Patent: ****Jul. 22, 1997**

[54] **PUSH BUTTON FAUCET**

[75] Inventors: **Graham H. Paterson**, Hockessin;
Willard A. Denham, Wilmington, both
of Del.

[73] Assignee: **Speakman Company**, Wilmington, Del.

[**] Term: **14 Years**

[21] Appl. No.: **42,624**

[22] Filed: **Aug. 15, 1995**

[51] LOC (6) Cl. **23-01**

[52] U.S. Cl. **D23/238**

[58] Field of Search **D23/238-243,**
D23/250-257; 4/675-678; 137/801

[56] **References Cited**

U.S. PATENT DOCUMENTS

D. 227,465	6/1973	Genard et al.	D23/238
D. 318,100	7/1991	Rodstein	D23/255
D. 329,082	9/1992	Rosenberg	D23/238
D. 331,795	12/1992	Hill et al.	D23/238
D. 341,873	11/1993	Allen et al.	D23/238

D. 341,875 11/1993 Allen et al. D23/238

Primary Examiner—Louis S. Zarfes
Assistant Examiner—Eric Watterson
Attorney, Agent, or Firm—Connolly & Hutz

[57] **CLAIM**

The ornamental design for a push button faucet, as shown and described.

DESCRIPTION

FIG. 1 is a left side elevational view of a push button faucet, right side elevational view being identical;
FIG. 2 is a top plan view thereof;
FIG. 3 is a rear elevational view thereof;
FIG. 4 is a front elevational view thereof;
FIG. 5 is a bottom plan view thereof;
FIG. 6 is a left side elevational view of the push button faucet shown in FIGS. 1-5 with a deck-plate added, right side elevational view being identical;
FIG. 7 is a top plan view thereof;
FIG. 8 is a rear elevational view thereof;
FIG. 9 is a front elevational view thereof; and,
FIG. 10 is a bottom plan view thereof.

1 Claim, 2 Drawing Sheets

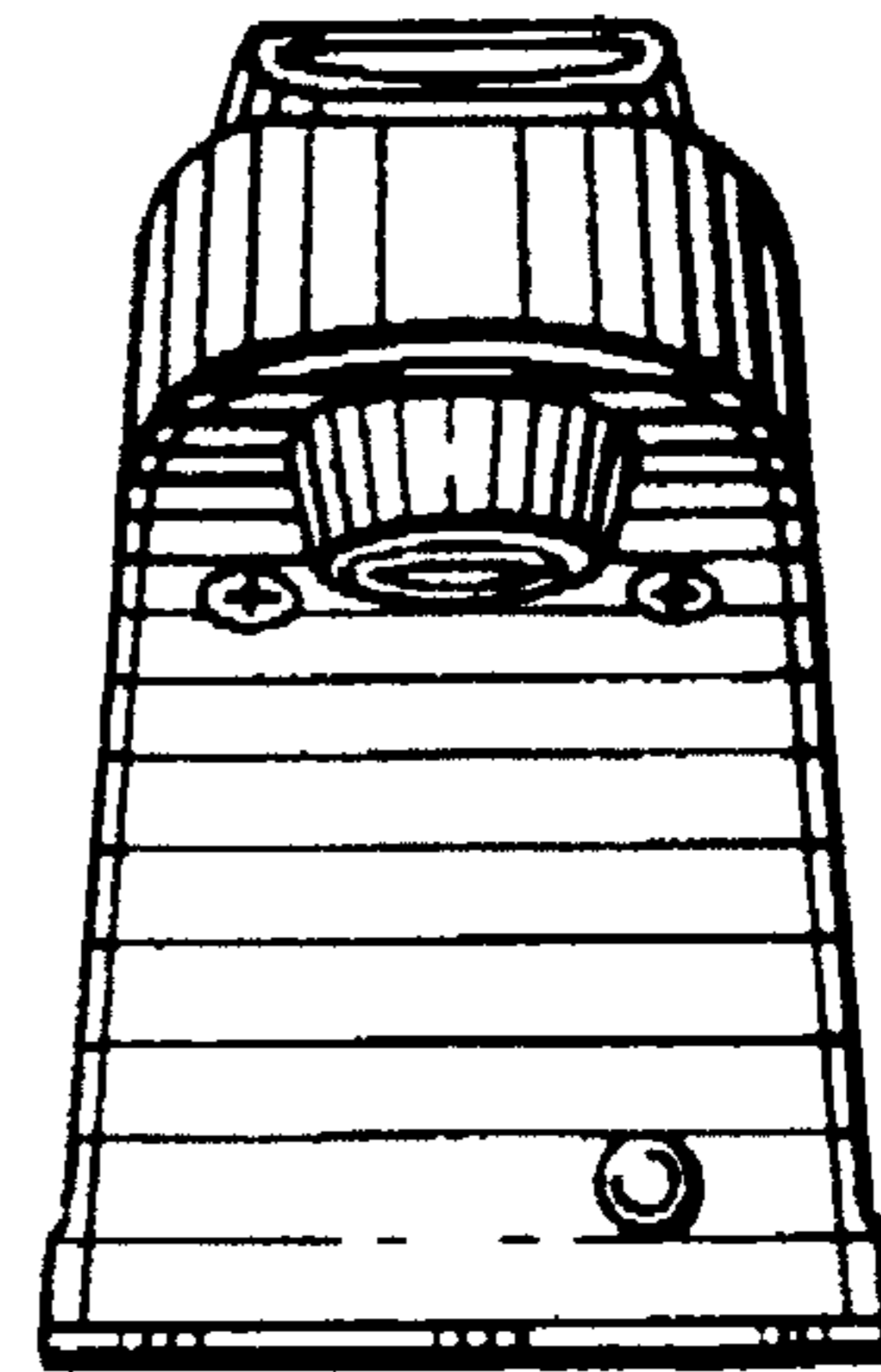
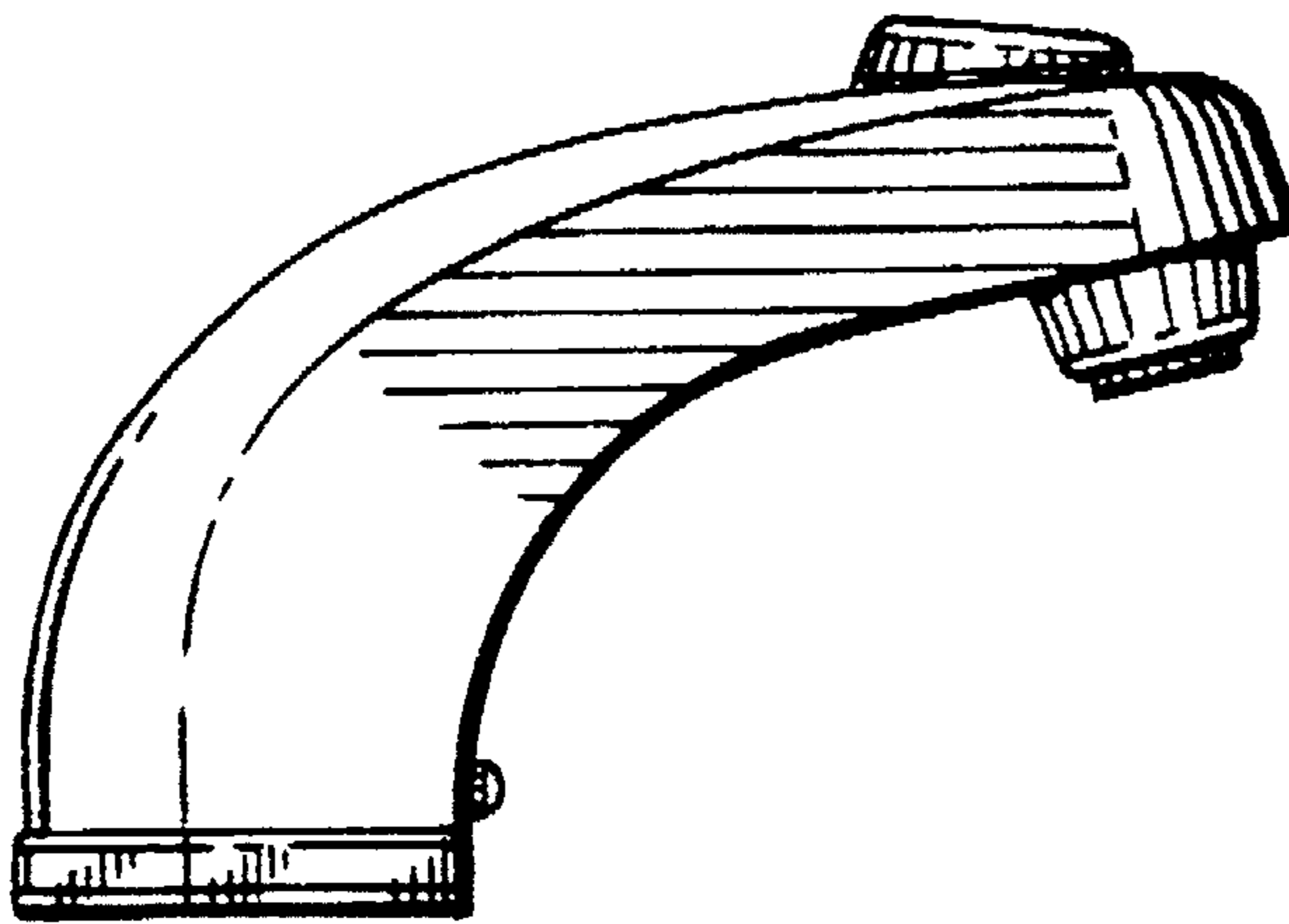


Fig. 2.

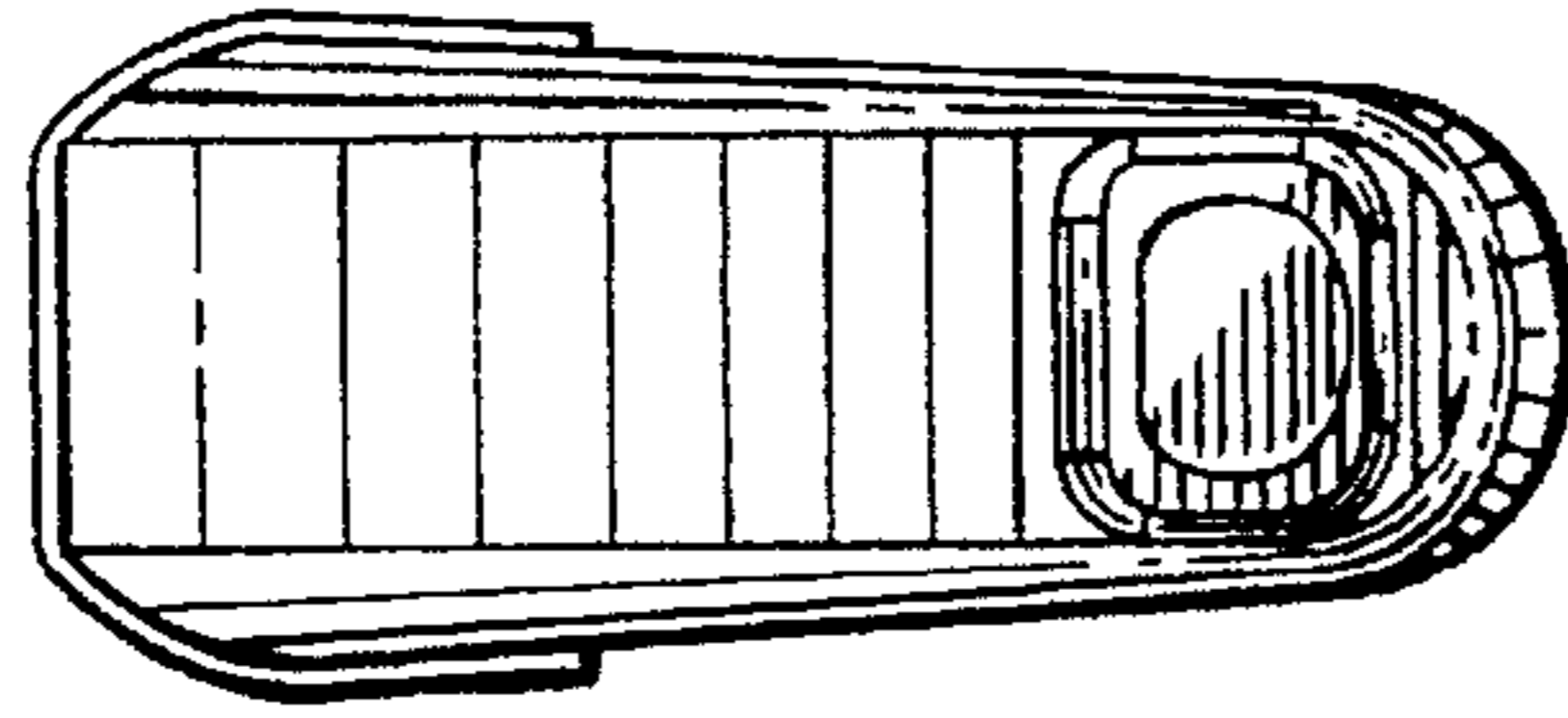


Fig. 3.

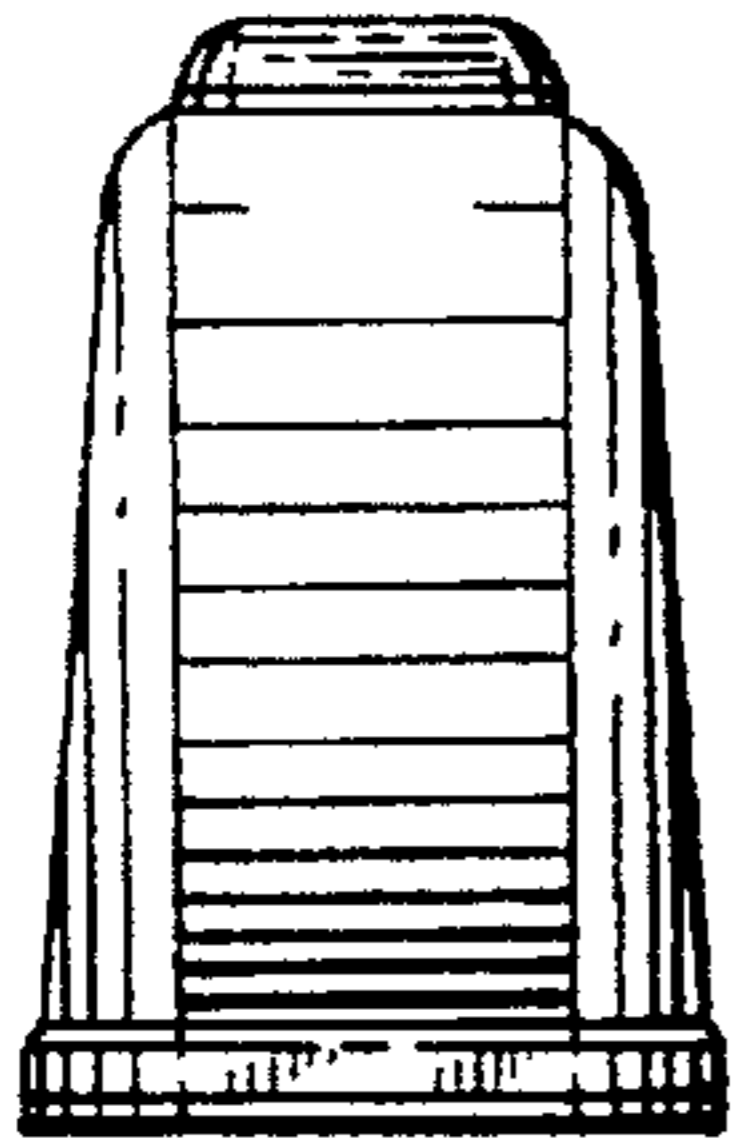


Fig. 1.

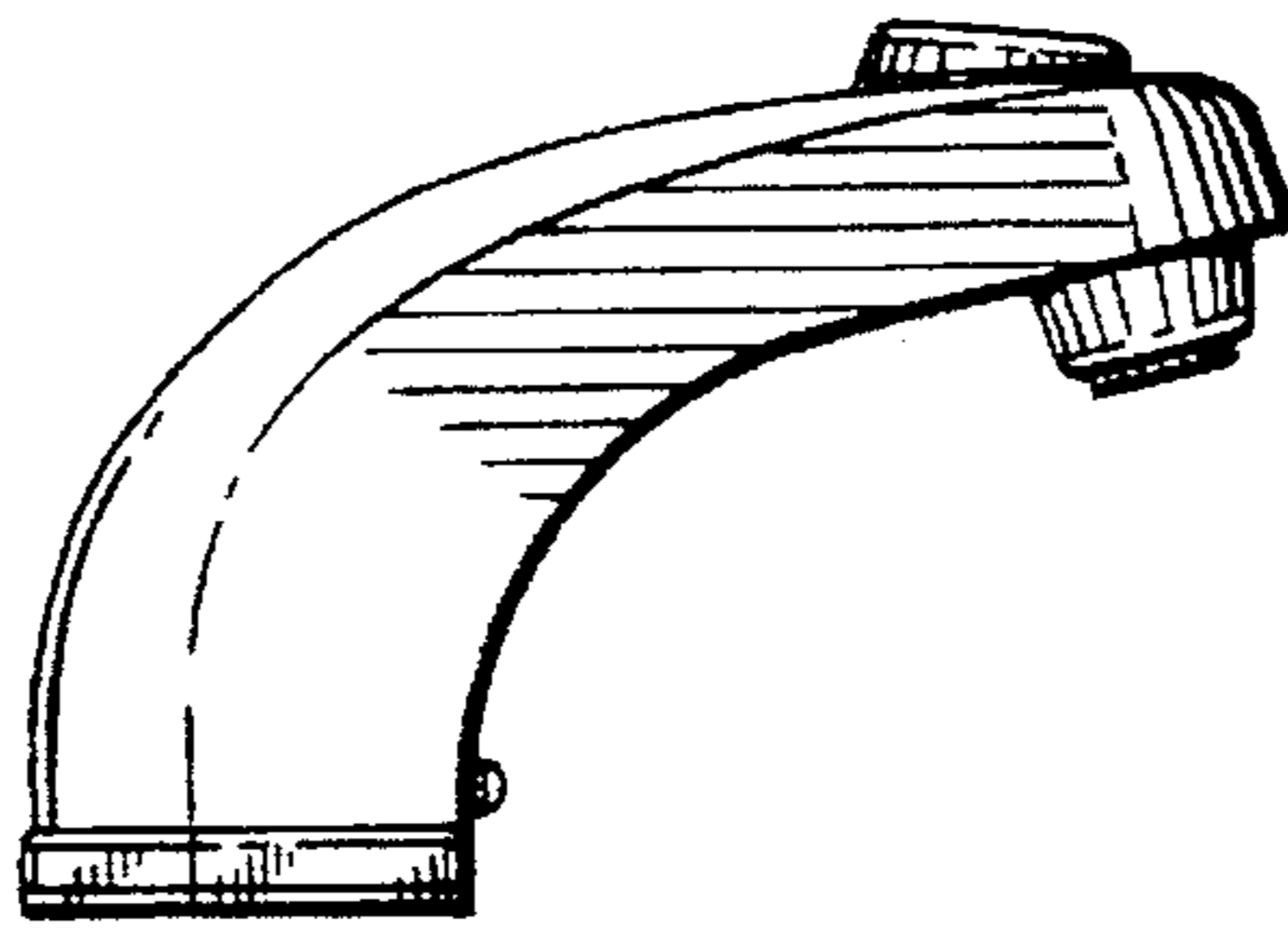


Fig. 4.

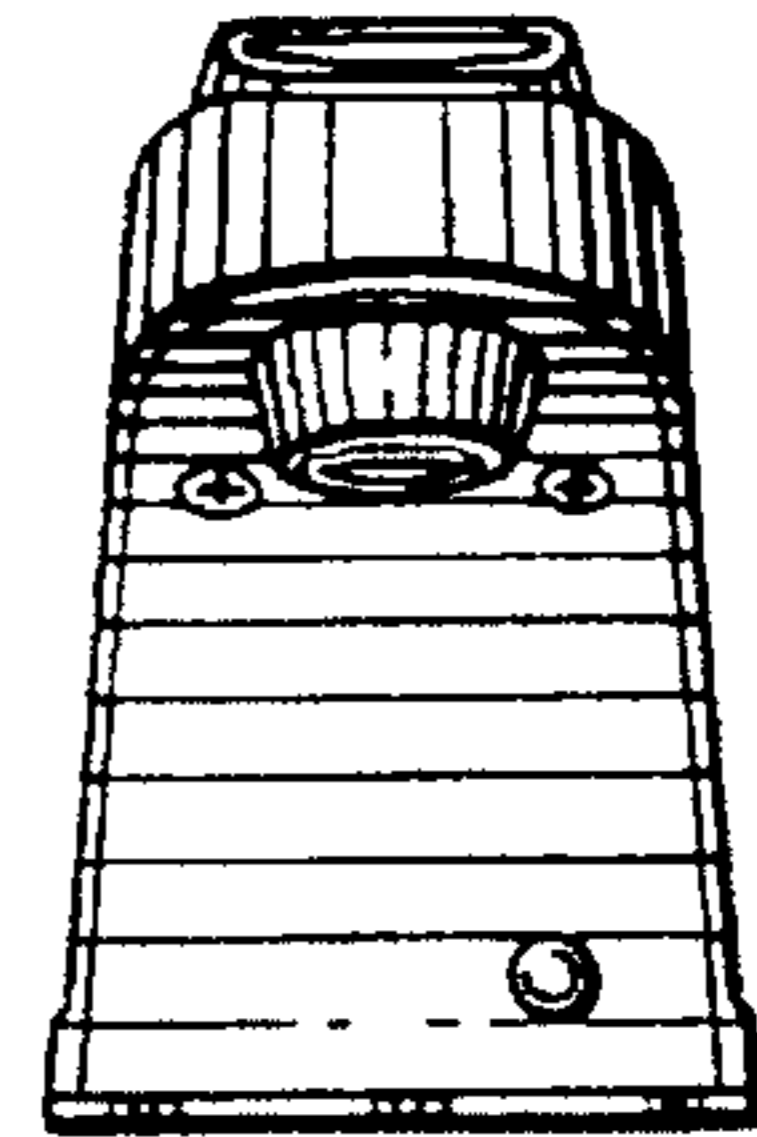


Fig. 5.

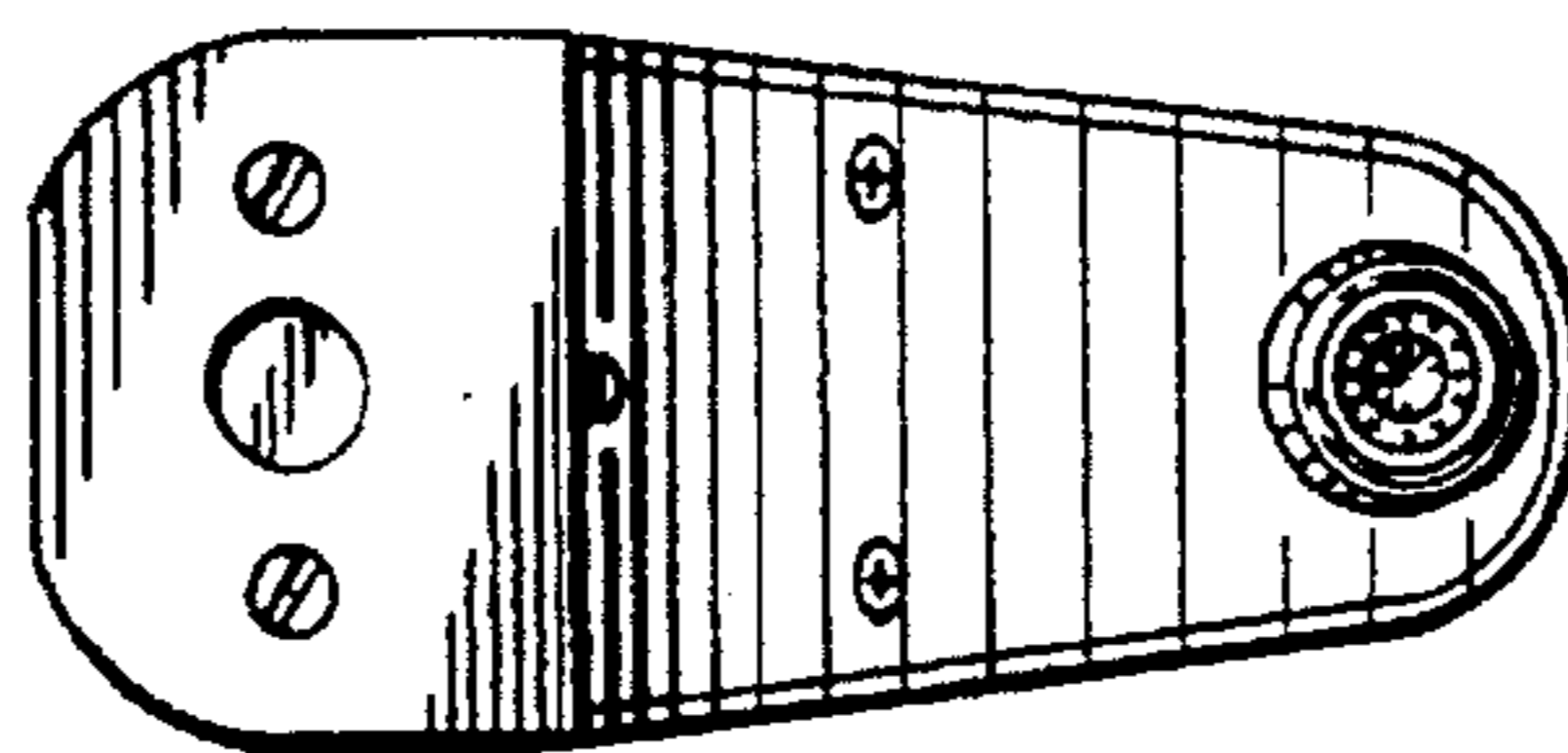


Fig. 7.

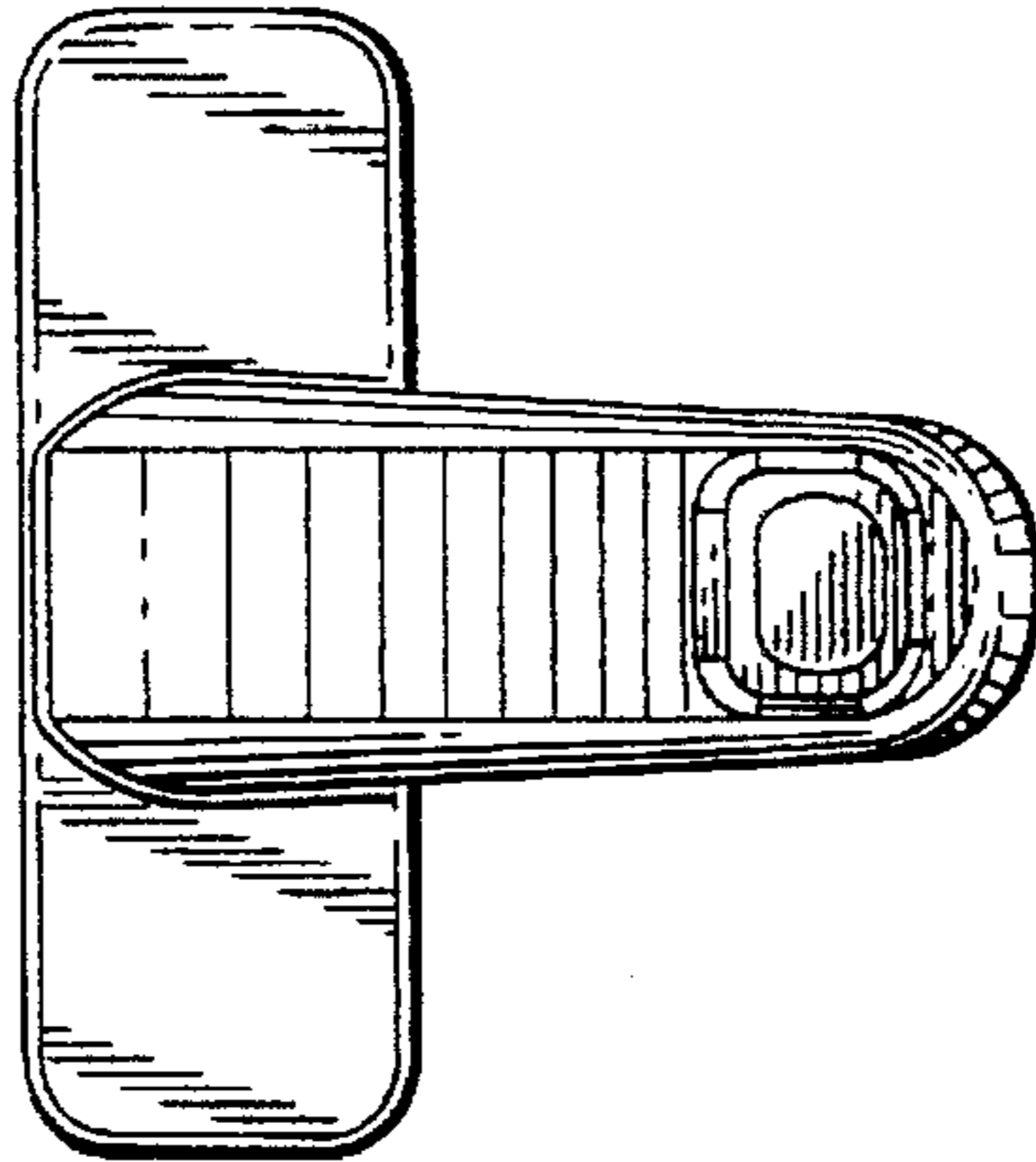


Fig. 8.

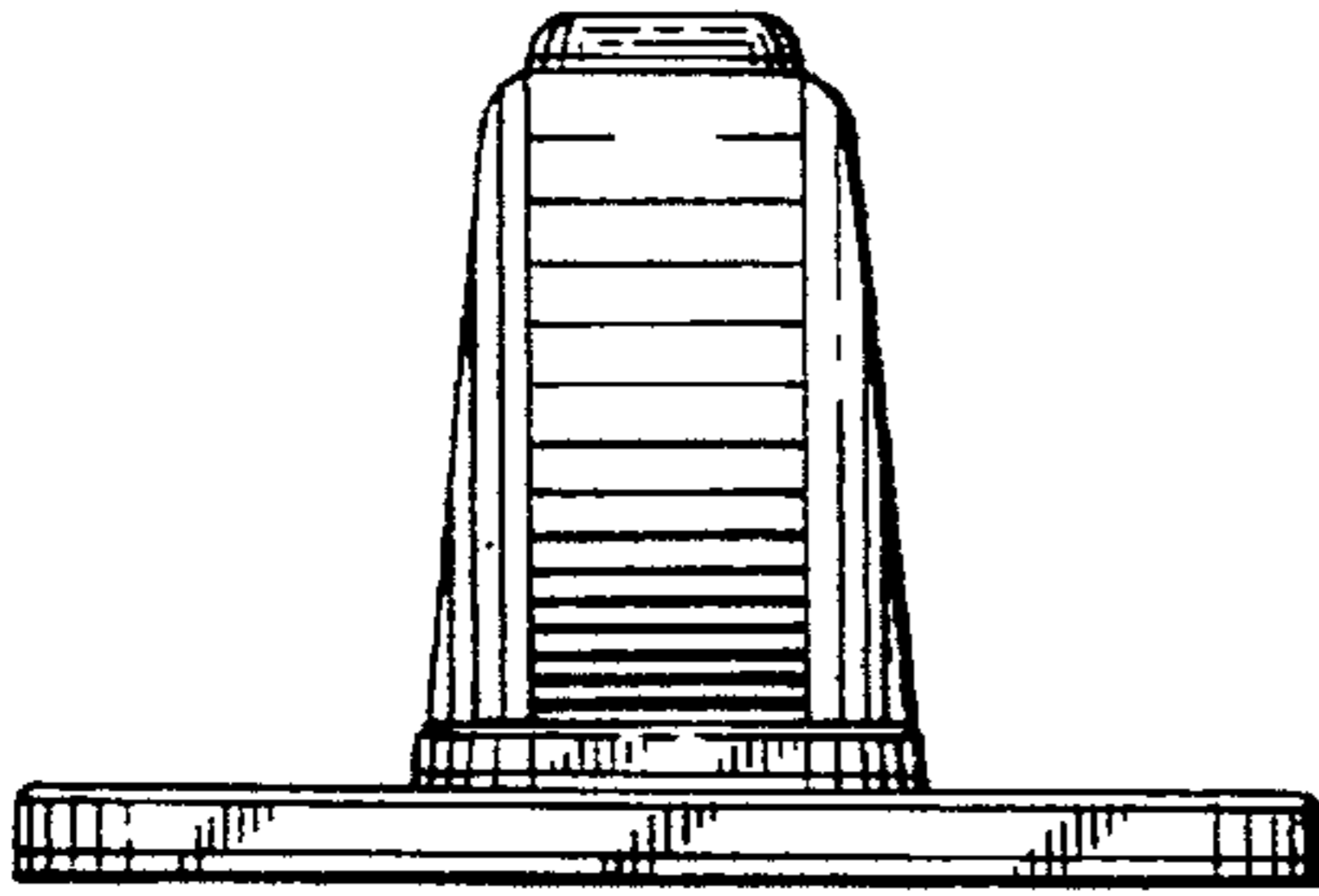


Fig. 6.

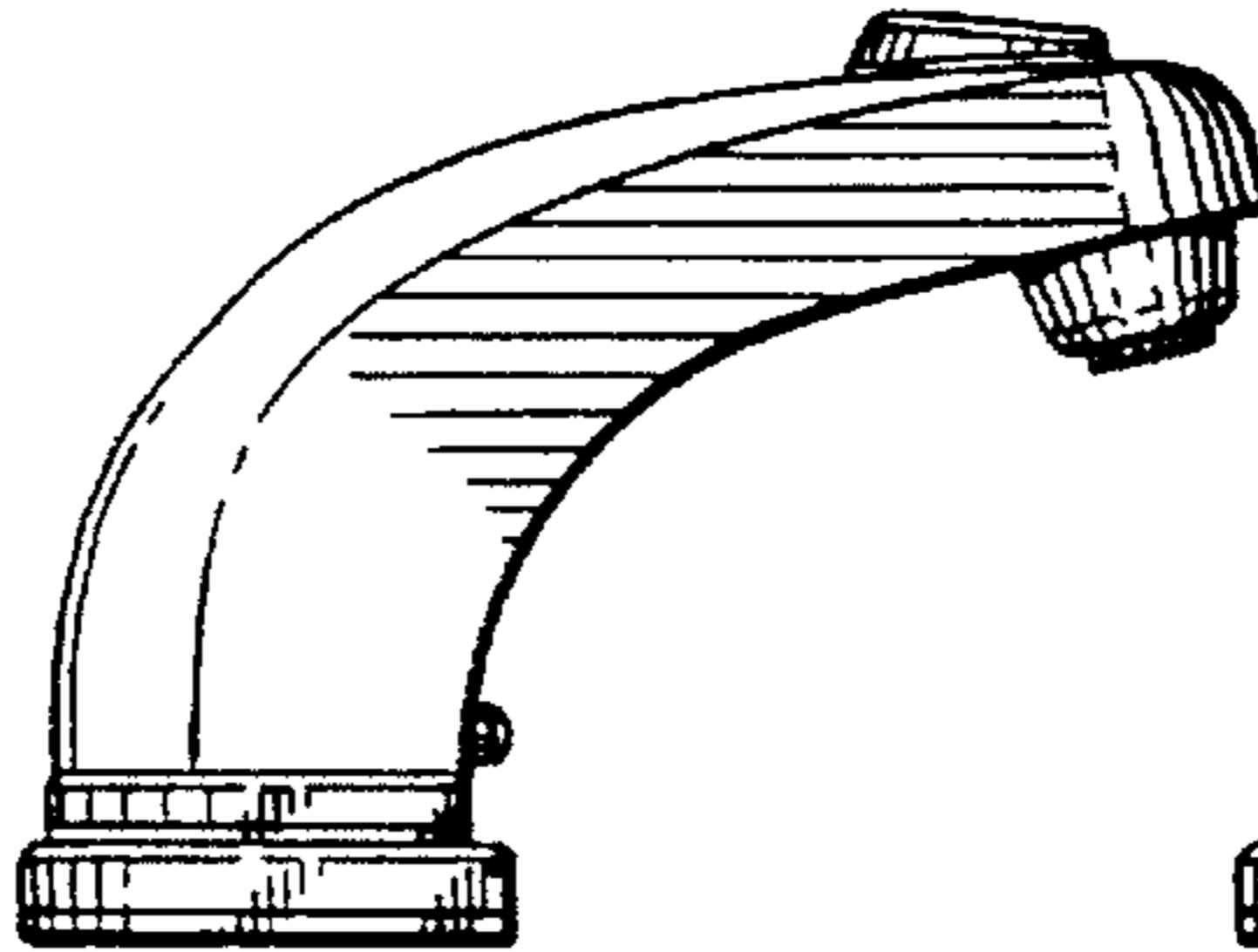


Fig. 9.

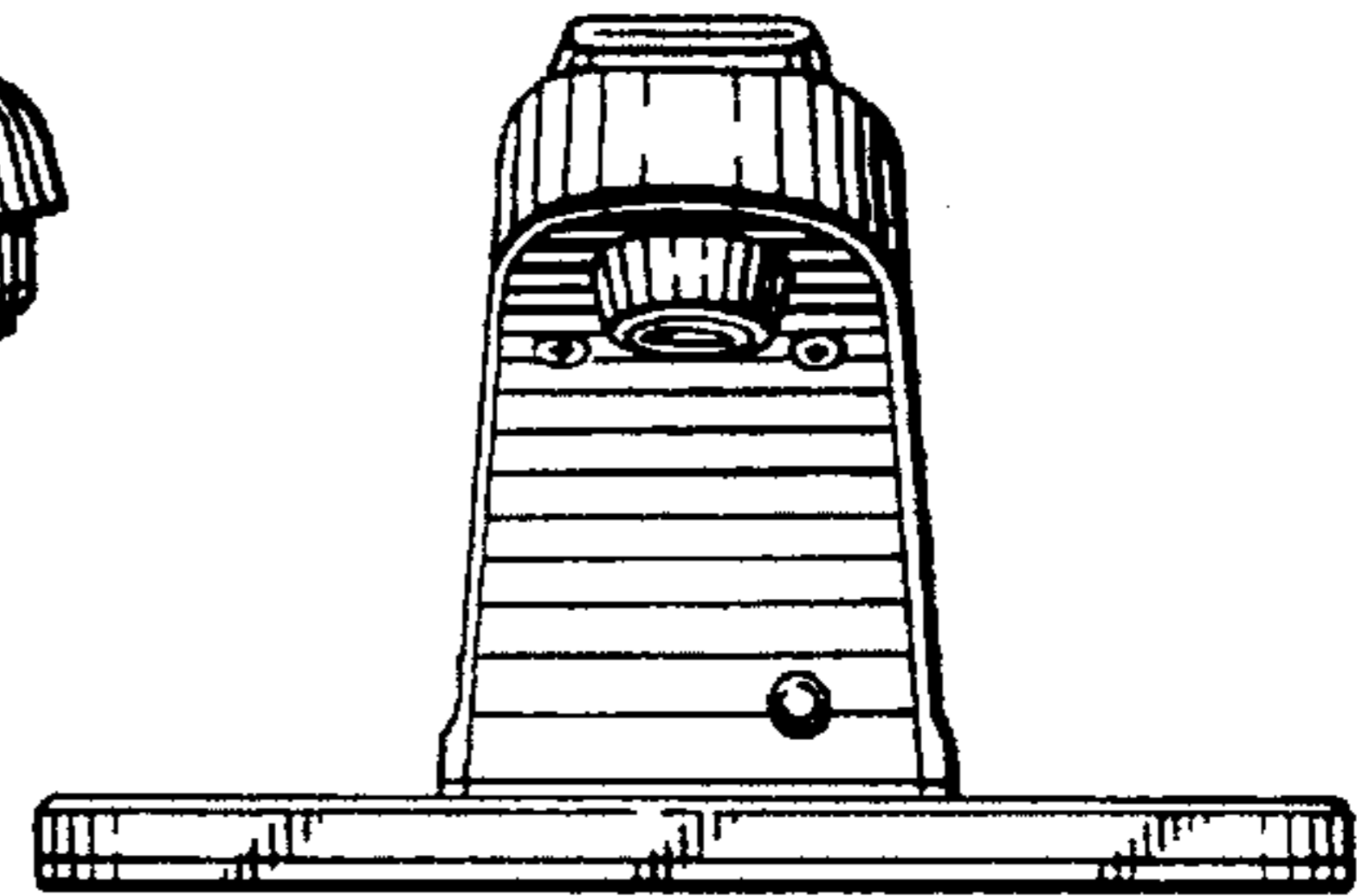


Fig. 10.

