



US00D381393S

United States Patent [19]
Carano

[11] **Patent Number: Des. 381,393**

[45] **Date of Patent: **Jul. 22, 1997**

[54] **LIQUID TRANSFER UNIT**

5,064,123 11/1991 Arello et al. 239/146

[75] **Inventor: Leo J. Carano, Cayucos, Calif.**

Primary Examiner—Melody N. Brown
Attorney, Agent, or Firm—Fulwider Patton Lee & Utecht, LLP

[73] **Assignee: One More Time, Inc., Los Angeles, Calif.**

[57] **CLAIM**

[**] **Term: 14 Years**

The ornamental design for a liquid transfer unit, as shown and described.

[21] **Appl. No.: 35,266**

[22] **Filed: Feb. 23, 1995**

DESCRIPTION

Related U.S. Application Data

[63] **Continuation-in-part of Ser. No. 7,614, Apr. 27, 1993, Pat. No. Des. 357,728.**

FIG. 1 is a perspective view of a liquid transfer unit embodying my new design;

FIG. 2 is a rear elevational view of the liquid transfer unit shown in FIG. 1;

FIG. 3 is a left side elevational view of the liquid transfer unit shown in FIG. 1;

FIG. 4 is a top view of the liquid transfer unit shown in FIG. 1;

FIG. 5 is a front elevational view of the liquid transfer unit shown in FIG. 1;

FIG. 6 is a right side elevational view of the liquid transfer unit shown in FIG. 1; and,

FIG. 7 is a bottom view of the liquid transfer unit shown in FIG. 1.

[51] **LOC (6) Cl. 23-01**

[52] **U.S. Cl. D23/200**

[58] **Field of Search D23/200, 230-232; 239/146, 127, 15, 172, 706, 372, 305, 532**

[56] **References Cited**

U.S. PATENT DOCUMENTS

D. 357,728	4/1995	Carano	D23/200
3,940,065	2/1976	Ware et al.	239/146
4,848,659	7/1989	Todyik	239/146

1 Claim, 3 Drawing Sheets

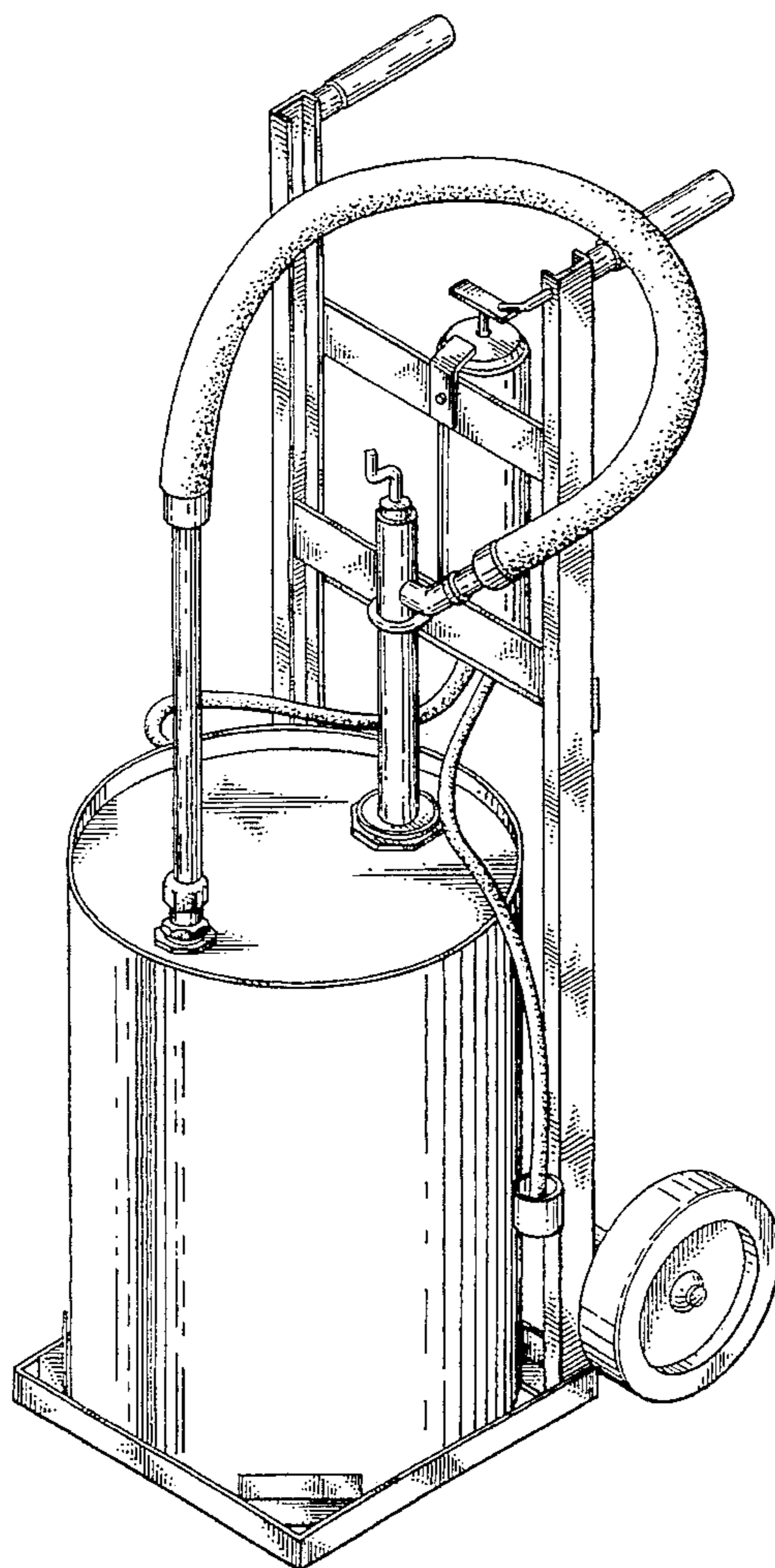
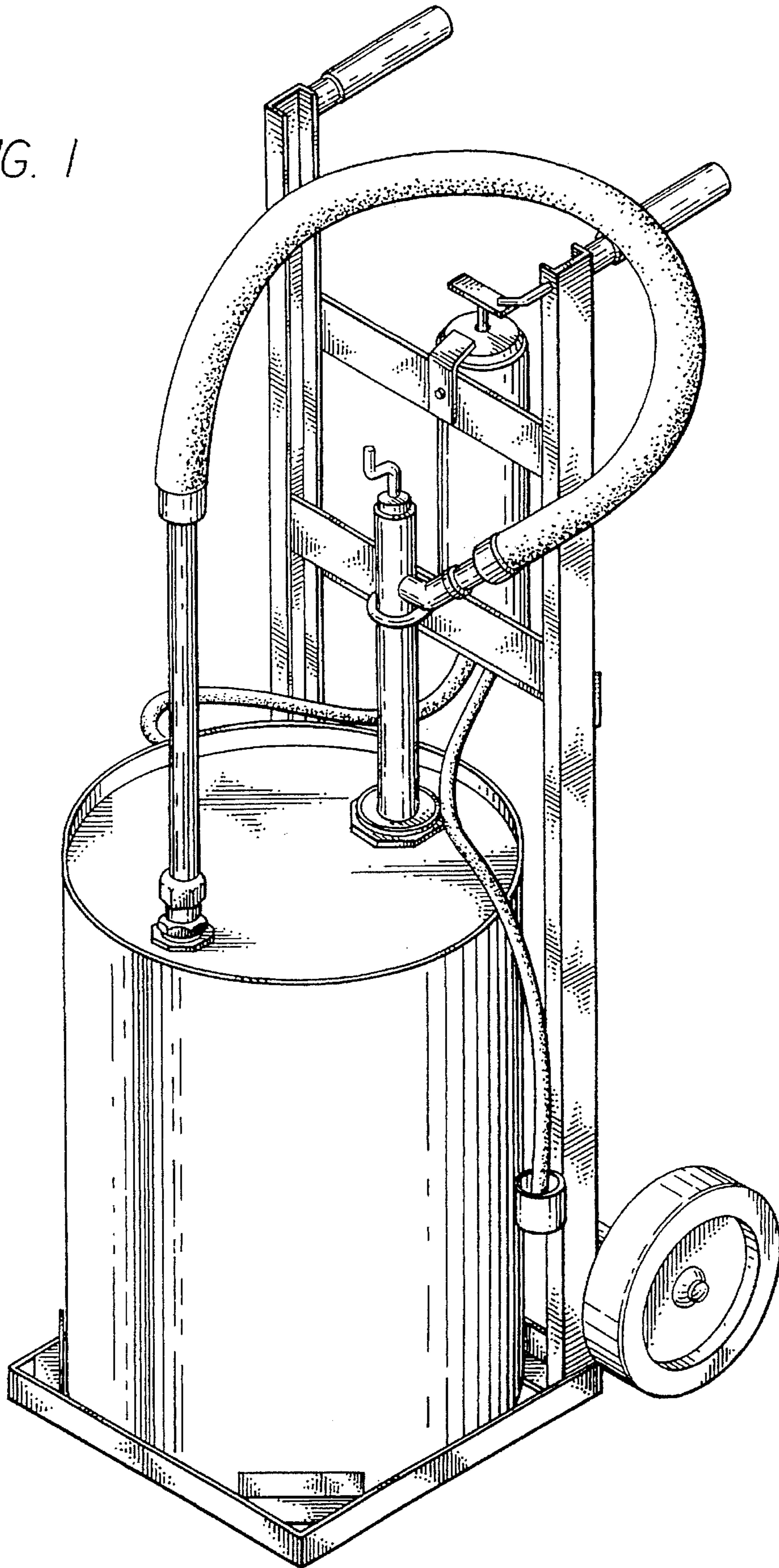


FIG. 1



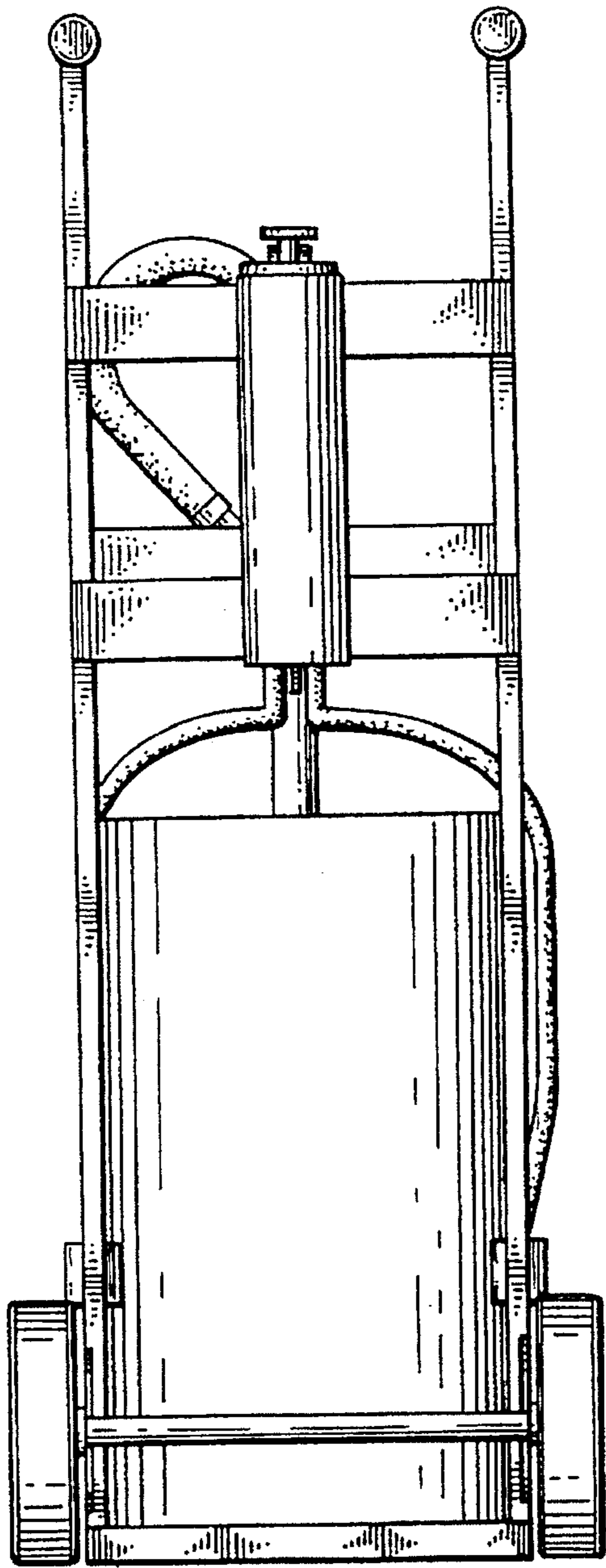


FIG. 2

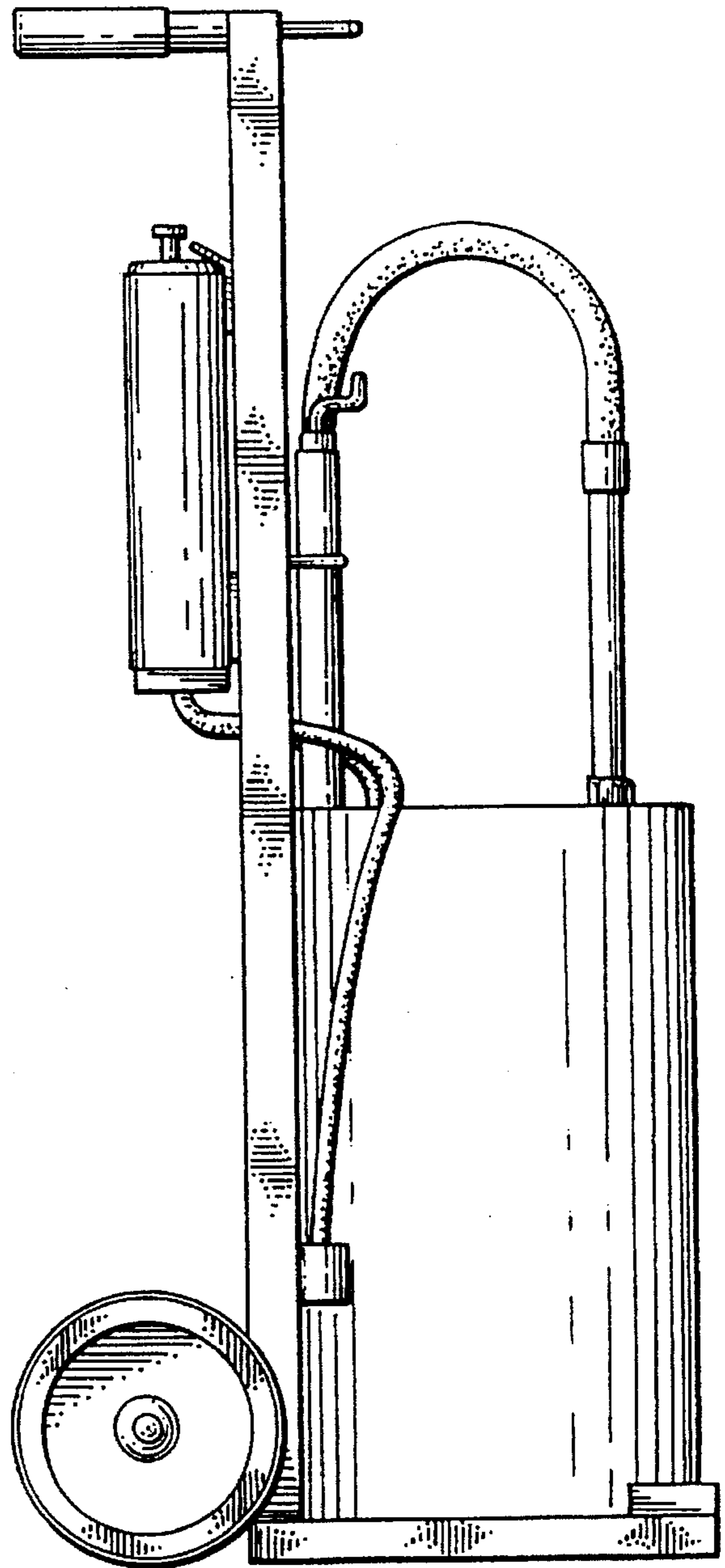


FIG. 3

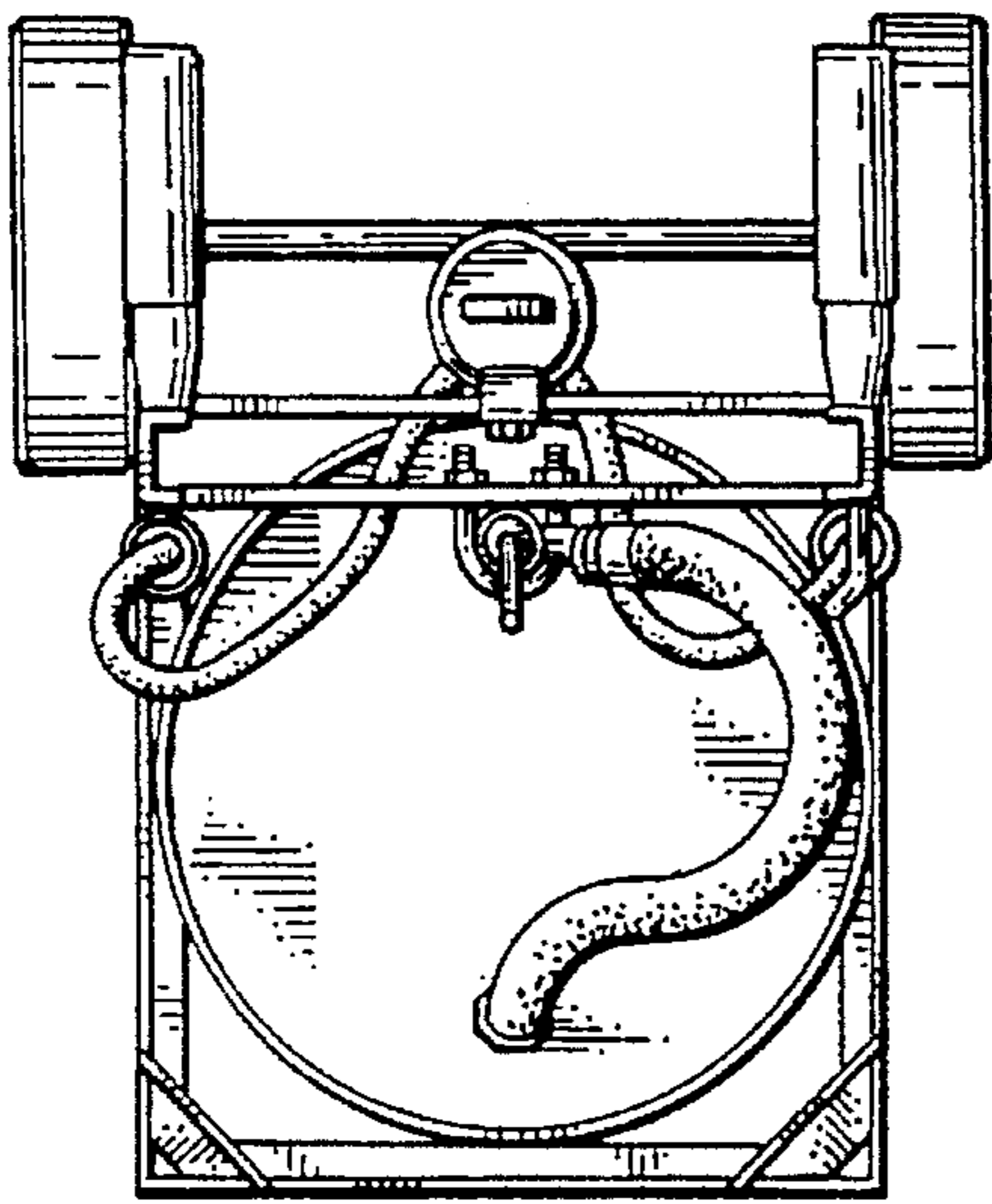


FIG. 4

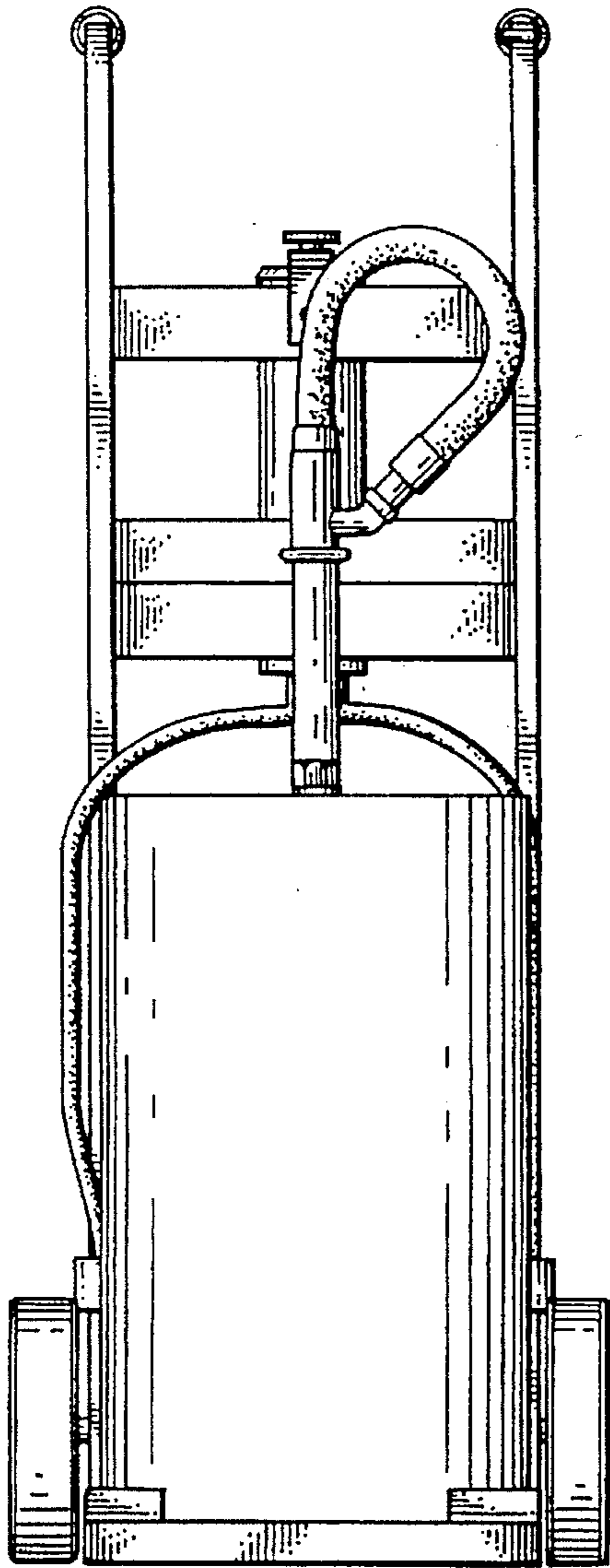


FIG. 5

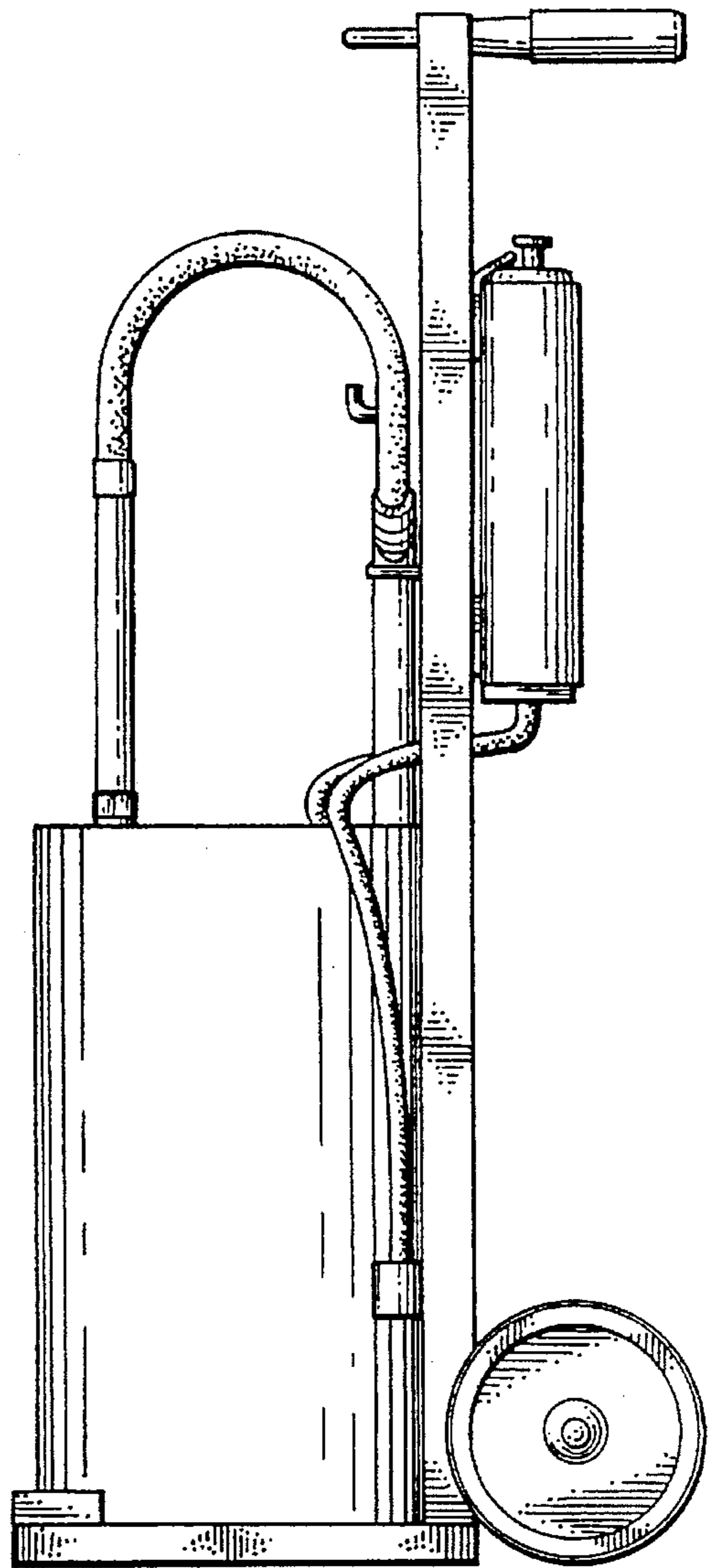


FIG. 6

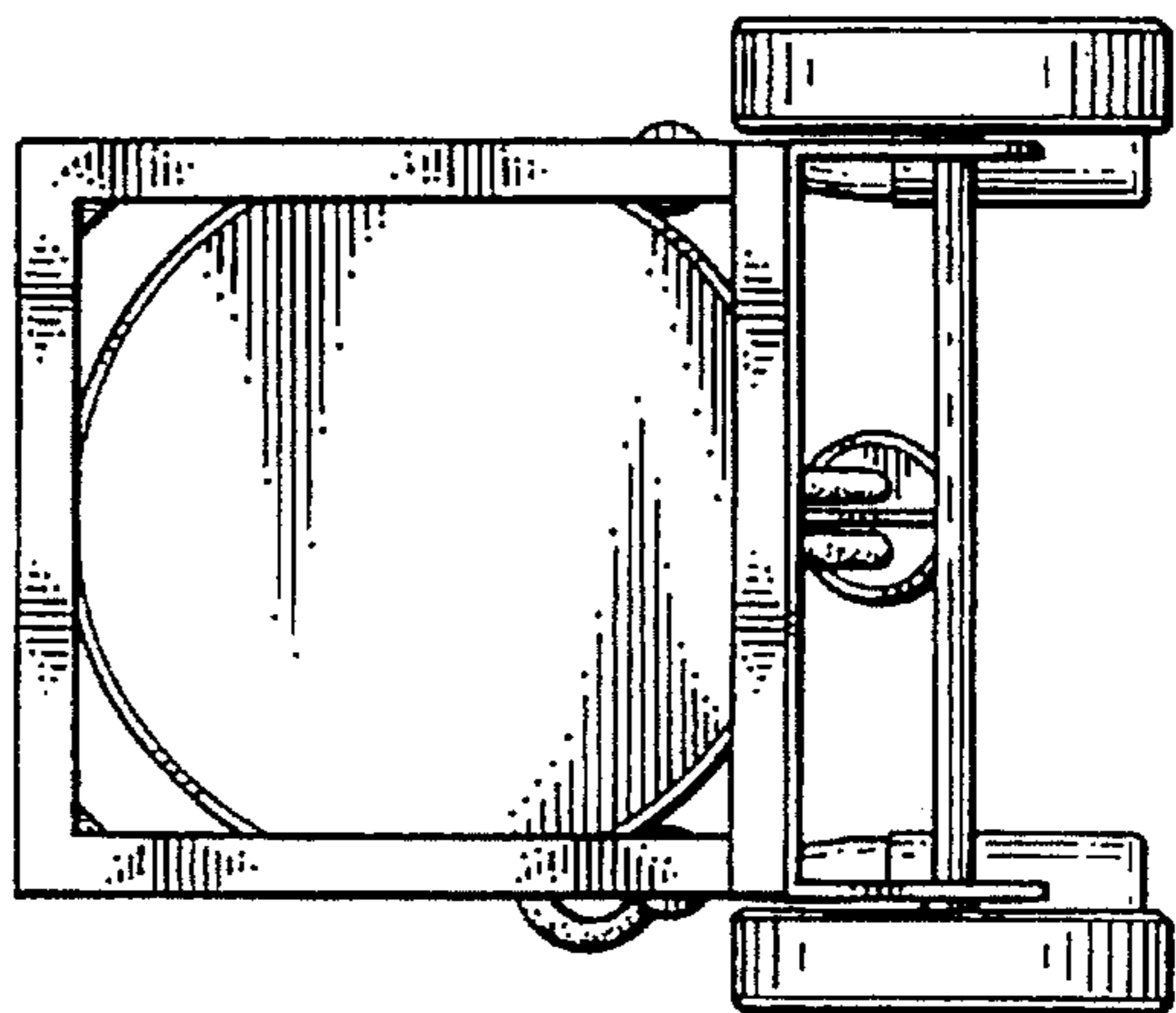


FIG. 7