



US00D381392S

United States Patent [19]
Darling

[11] **Patent Number: Des. 381,392**

[45] **Date of Patent: **Jul. 22, 1997**

[54] **FISHING ROD AND BEVERAGE HOLDER**

[76] **Inventor: Charles B. Darling, 8344 Myakka Ct.,
Lake Worth, Fla. 33467-6227**

[**] **Term: 14 Years**

[21] **Appl. No.: 52,366**

[22] **Filed: Mar. 28, 1996**

[51] **LOC (6) Cl. 22-05**

[52] **U.S. Cl. D22/148; D22/147**

[58] **Field of Search D22/148, 147;
43/21.2, 15; 248/512, 514, 515, 538**

[56] **References Cited**

U.S. PATENT DOCUMENTS

D. 179,525	1/1957	Porter	D22/147
D. 221,278	7/1971	Wright	D22/147
D. 239,533	4/1976	Polzin	D22/147 X
D. 271,610	11/1983	Lummis	D22/147
D. 271,611	11/1983	Lummis	D22/147
D. 352,089	11/1994	Barber et al.	D22/147

4,157,804	6/1979	Byford	248/512
4,650,146	3/1987	Duke	D22/147 X
4,871,099	10/1989	Bogar, Jr.	43/21.2 X
5,435,093	7/1995	Minorics et al.	43/21.2 X

Primary Examiner—Doris V. Coles
Attorney, Agent, or Firm—Harpman & Harpman

[57] **CLAIM**

The ornamental design for a fishing rod and beverage holder, as shown and described.

DESCRIPTION

FIG. 1 is a front, top and side perspective view of the fishing rod & beverage holder embodying the design of the present invention;

FIG. 2 is a front elevational view thereof;

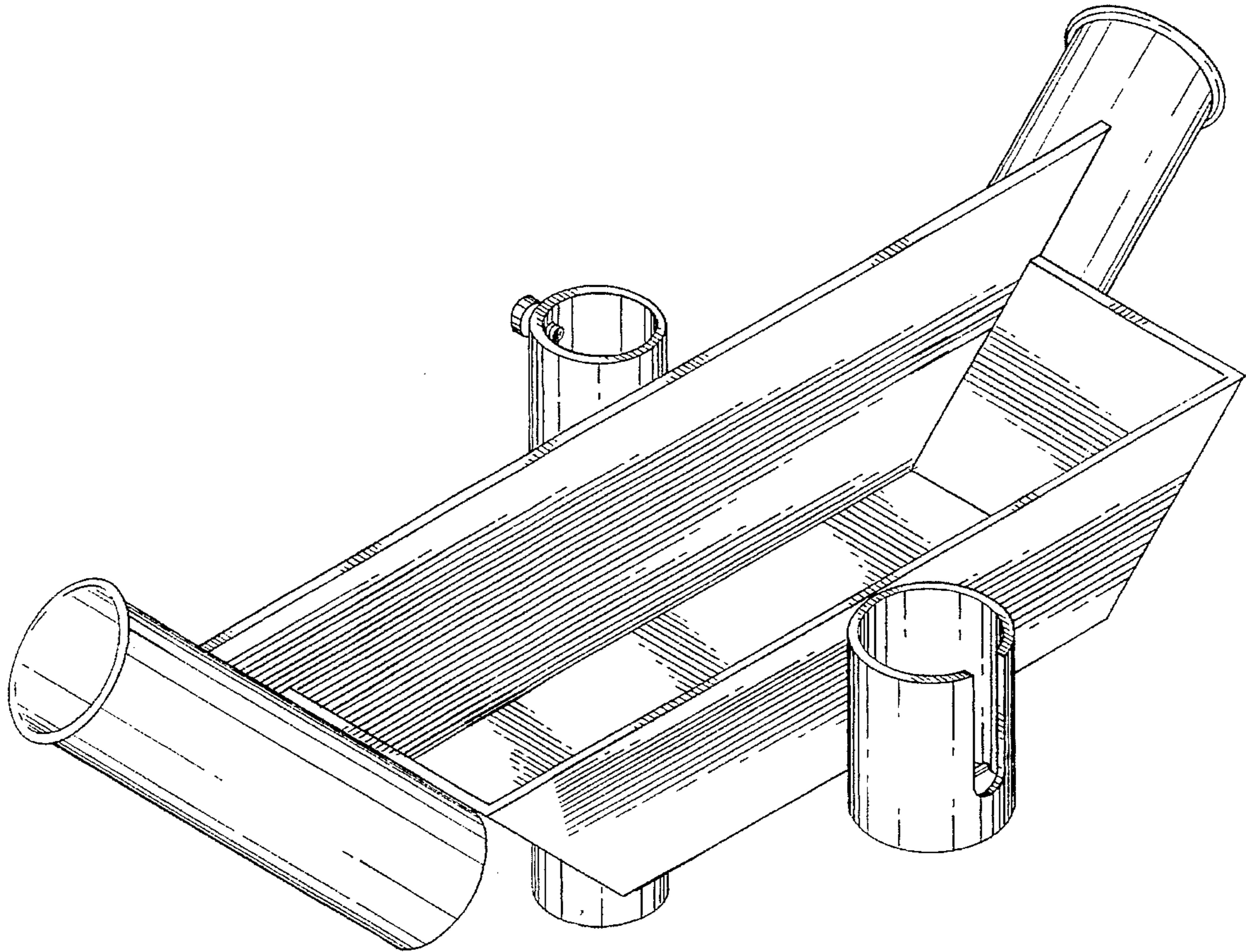
FIG. 3 is a rear elevational view thereof;

FIG. 4 is a side elevational view thereof, the opposite side elevational view being identical thereto;

FIG. 5 is a top plan view thereof; and,

FIG. 6 is a bottom plan view thereof.

1 Claim, 4 Drawing Sheets



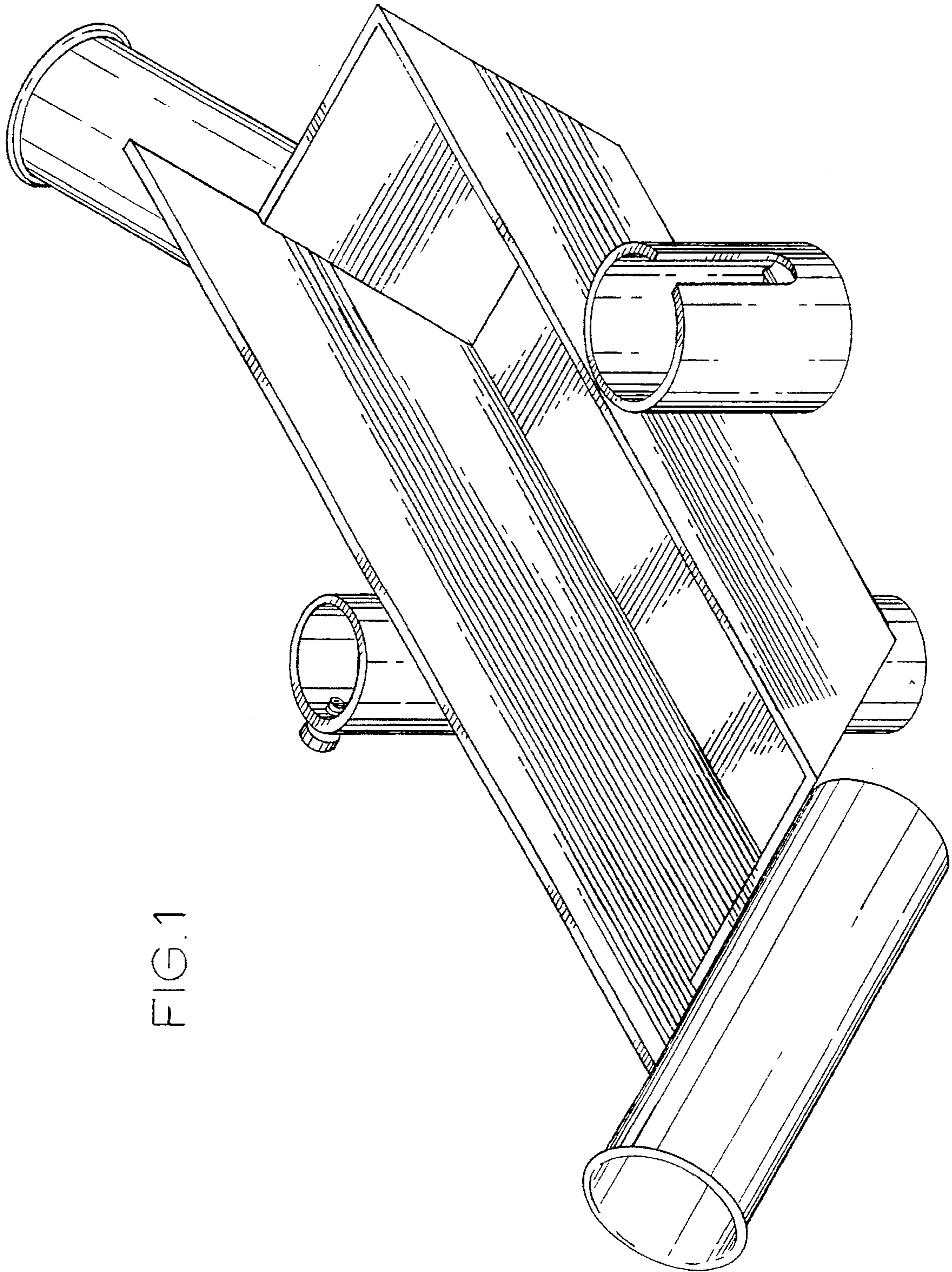


FIG. 1

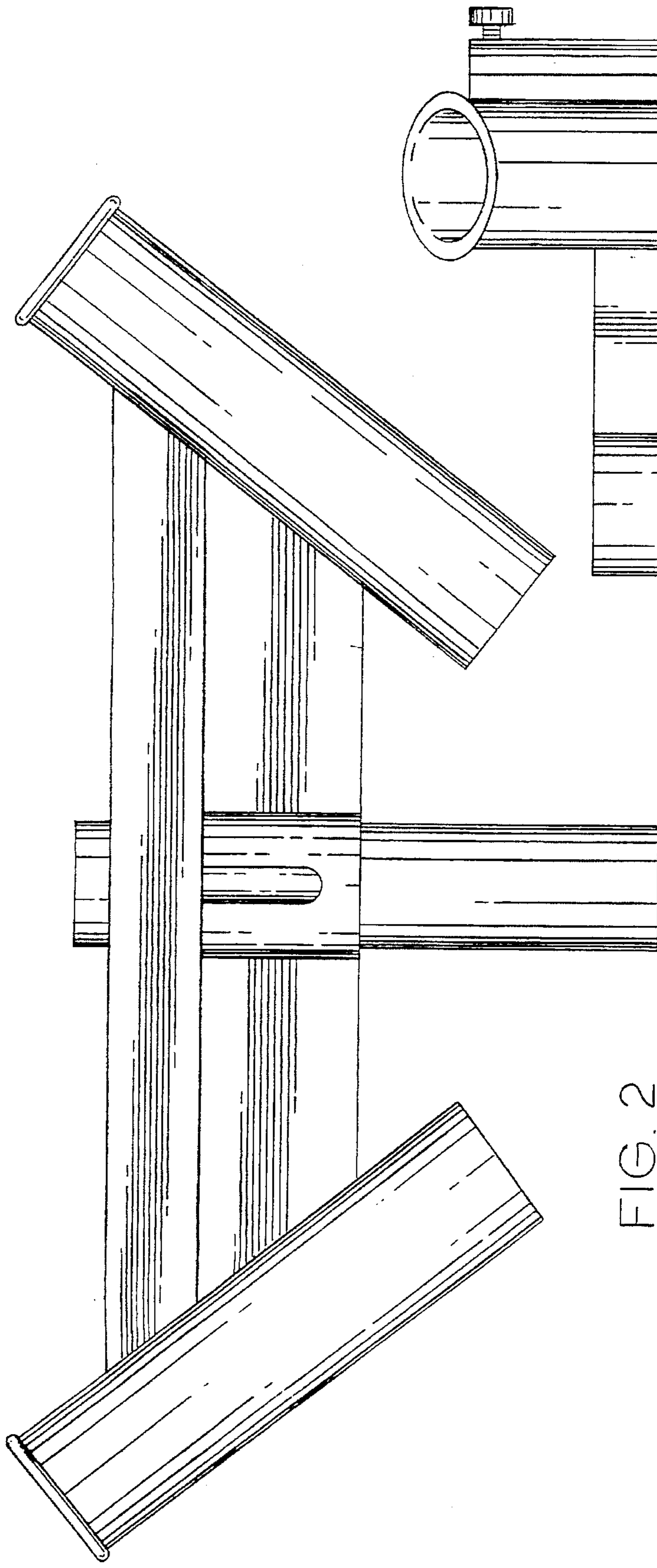


FIG. 2

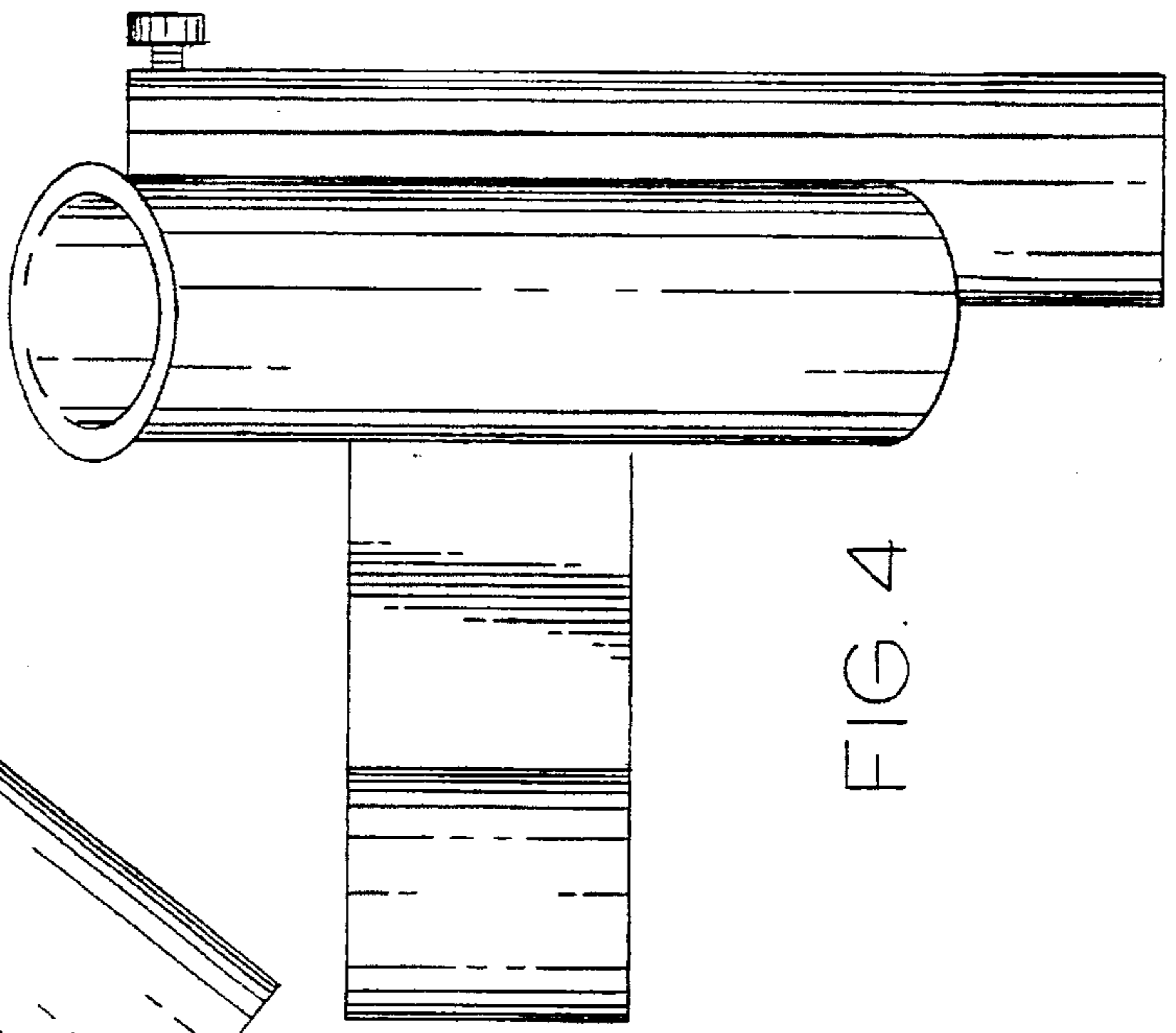
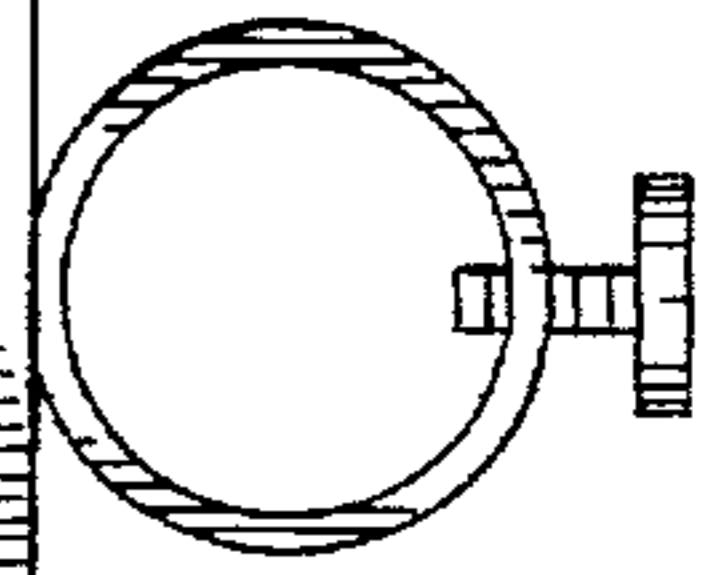
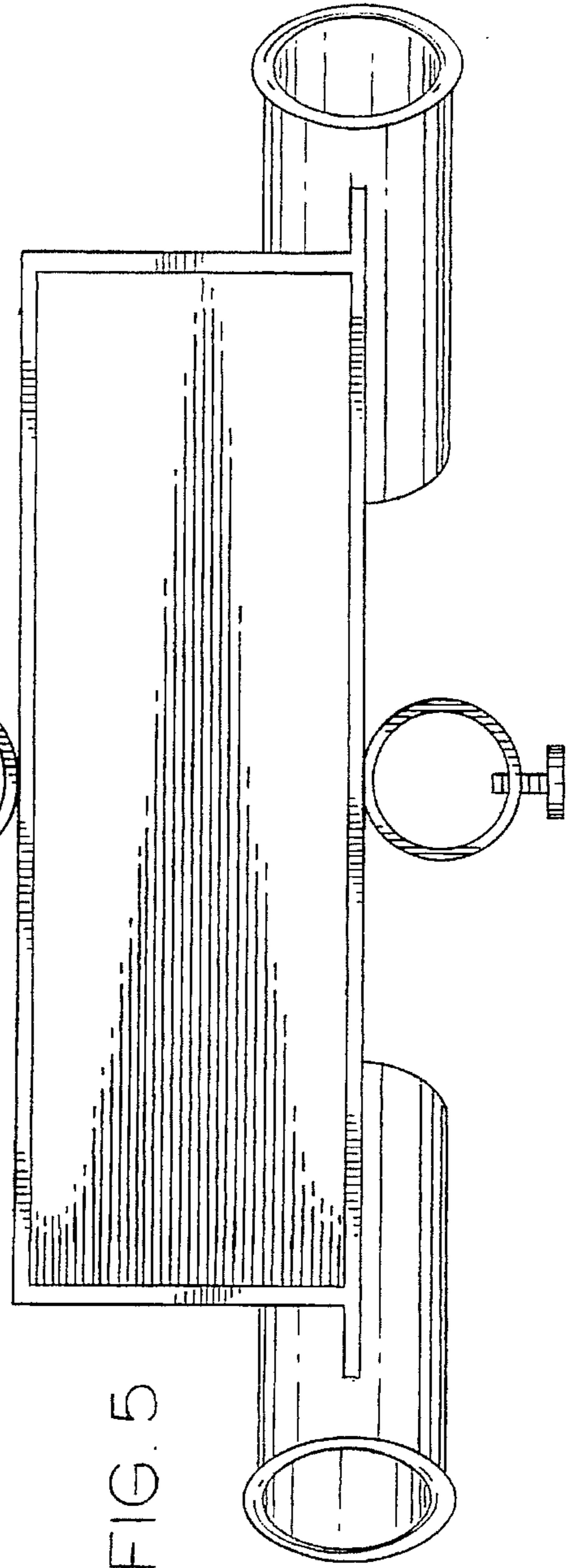
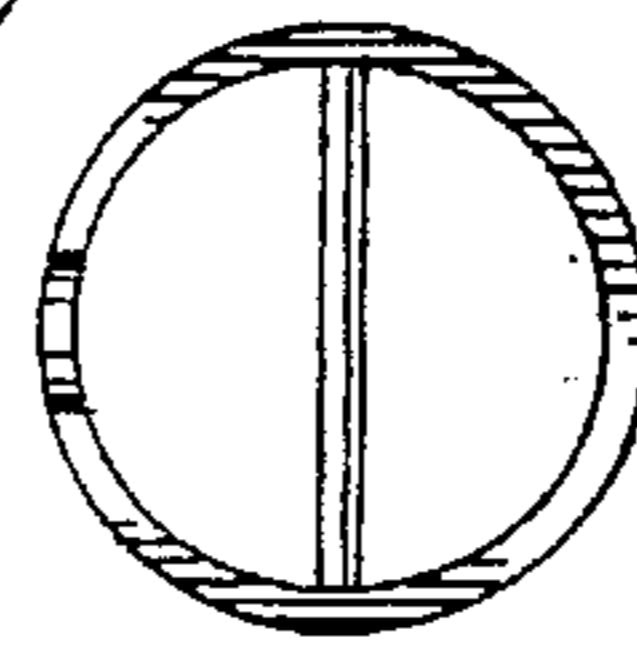
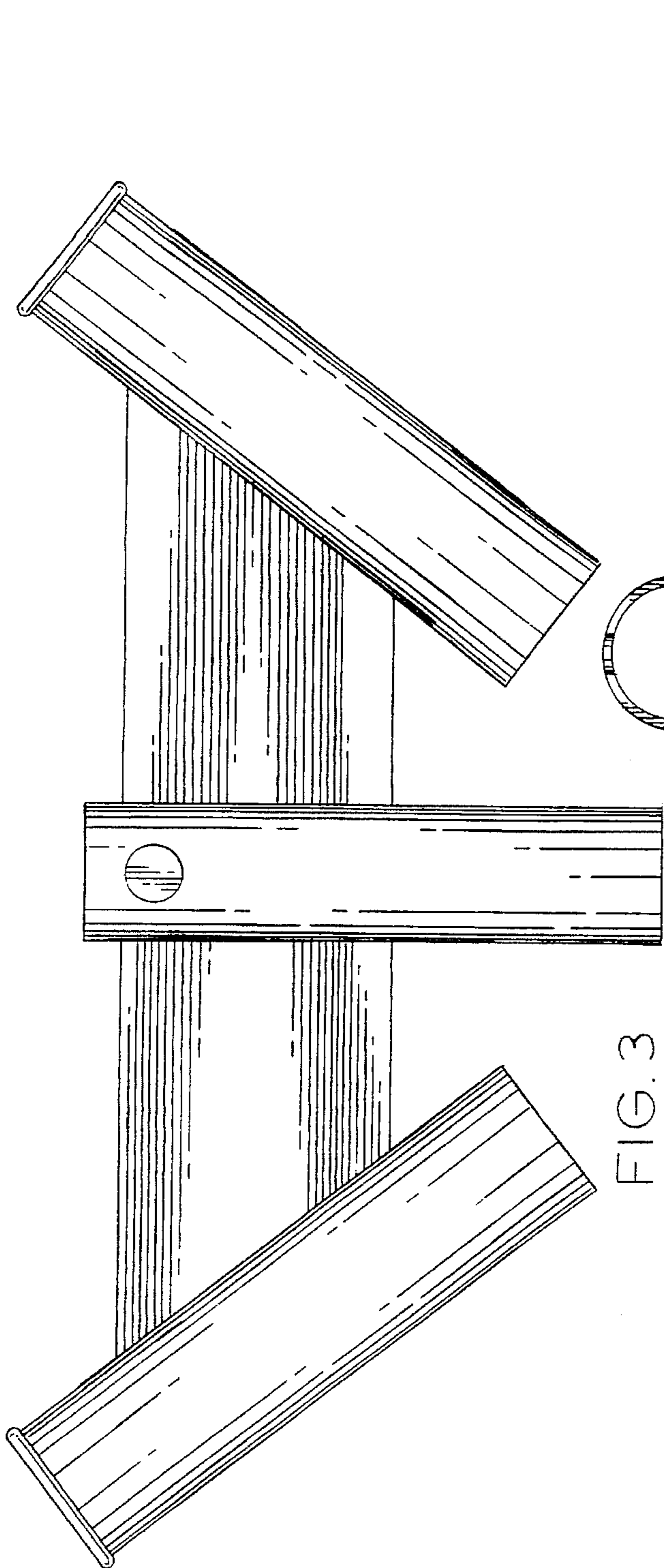


FIG. 4



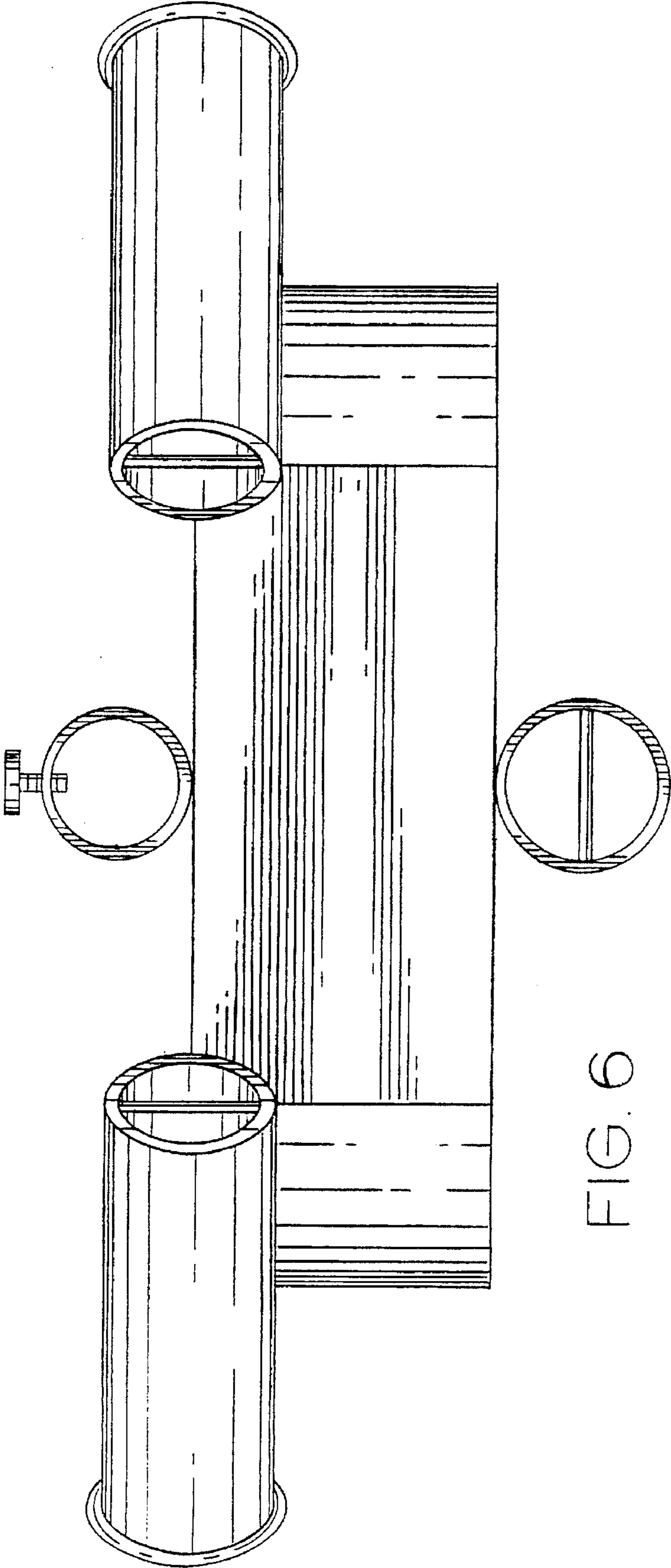


FIG. 6