



US00D381388S

# United States Patent [19]

[11] Patent Number: Des. 381,388

Raia

[45] Date of Patent: \*\*Jul. 22, 1997

[54] GUN REST

[57] CLAIM

[76] Inventor: Michael A. Raia, 202 Taylor, Roseville, Calif. 95678

The ornamental design for a gun rest, as shown and described.

[\*\*] Term: 14 Years

### DESCRIPTION

[21] Appl. No.: 52,918

FIG. 1 is a perspective view of a gun rest showing my new design;

[22] Filed: Apr. 8, 1996

FIG. 2 is a side elevational view of the gun rest of FIG. 1;

[51] LOC (6) Cl. .... 22-01

FIG. 3 is a front elevational view of the gun rest of FIG. 1;

[52] U.S. Cl. .... D22/108; D22/199

FIG. 4 is a rear elevational view of the gun rest of FIG. 1;

[58] Field of Search ..... D22/100, 101, D22/103, 107, 108, 199; D6/552; 42/94; 89/37.04; 124/1, 93.1; 182/182; 211/64; 224/913; 248/125.3, 156, 187.1

FIG. 5 is a top plan view of the gun rest of FIG. 1;

FIG. 6 is a bottom plan view of the gun rest of FIG. 1;

FIG. 7 is a perspective view of a second embodiment of my gun rest design;

### [56] References Cited

#### U.S. PATENT DOCUMENTS

D. 357,802	5/1995	Todd et al. ....	D22/107 X
1,324,934	12/1919	Shand .	
2,870,683	1/1959	Wilson .	
3,016,802	1/1962	Grunenberg .	
3,225,656	12/1965	Flaherty et al. .	
3,233,517	2/1966	Morrison .....	89/37.04 X
3,703,046	11/1972	Barone et al. .	
4,535,559	8/1985	Hall .	
4,558,531	12/1985	Kilby .	
4,776,124	10/1988	Clifton .....	42/94
4,790,096	12/1988	Gibson et al. ....	42/94
5,284,280	2/1994	Stonebraker, Sr. et al. ....	224/913 X
5,421,115	6/1995	McKay .....	42/94

FIG. 8 is a side elevational view of the gun rest of FIG. 7;

FIG. 9 is a front elevational view of the gun rest of FIG. 7;

FIG. 10 is a rear elevational view of the gun rest of FIG. 7;

FIG. 11 is a top plan view of the gun rest of FIG. 7;

FIG. 12 is a bottom plan view of the gun rest of FIG. 7;

FIG. 13 is a perspective view of a third embodiment of my gun rest design;

FIG. 14 is a side elevational view of the gun rest of FIG. 13;

FIG. 15 is front elevational view of the gun rest of FIG. 13;

FIG. 16 is a rear elevational view of the gun rest of FIG. 13;

FIG. 17 is a top plan view of the gun rest of FIG. 13;

FIG. 18 is a bottom plan view of the gun rest of FIG. 13;

FIG. 19 is a perspective view of a fourth embodiment of my gun rest design;

FIG. 20 is a side elevational view of the gun rest of FIG. 19;

FIG. 21 is front elevational view of the gun rest of FIG. 19;

FIG. 22 is a rear elevational view of the gun rest of FIG. 19;

FIG. 23 is a top plan view of the gun rest of FIG. 19; and

FIG. 24 is a bottom plan view of the gun rest of FIG. 19.

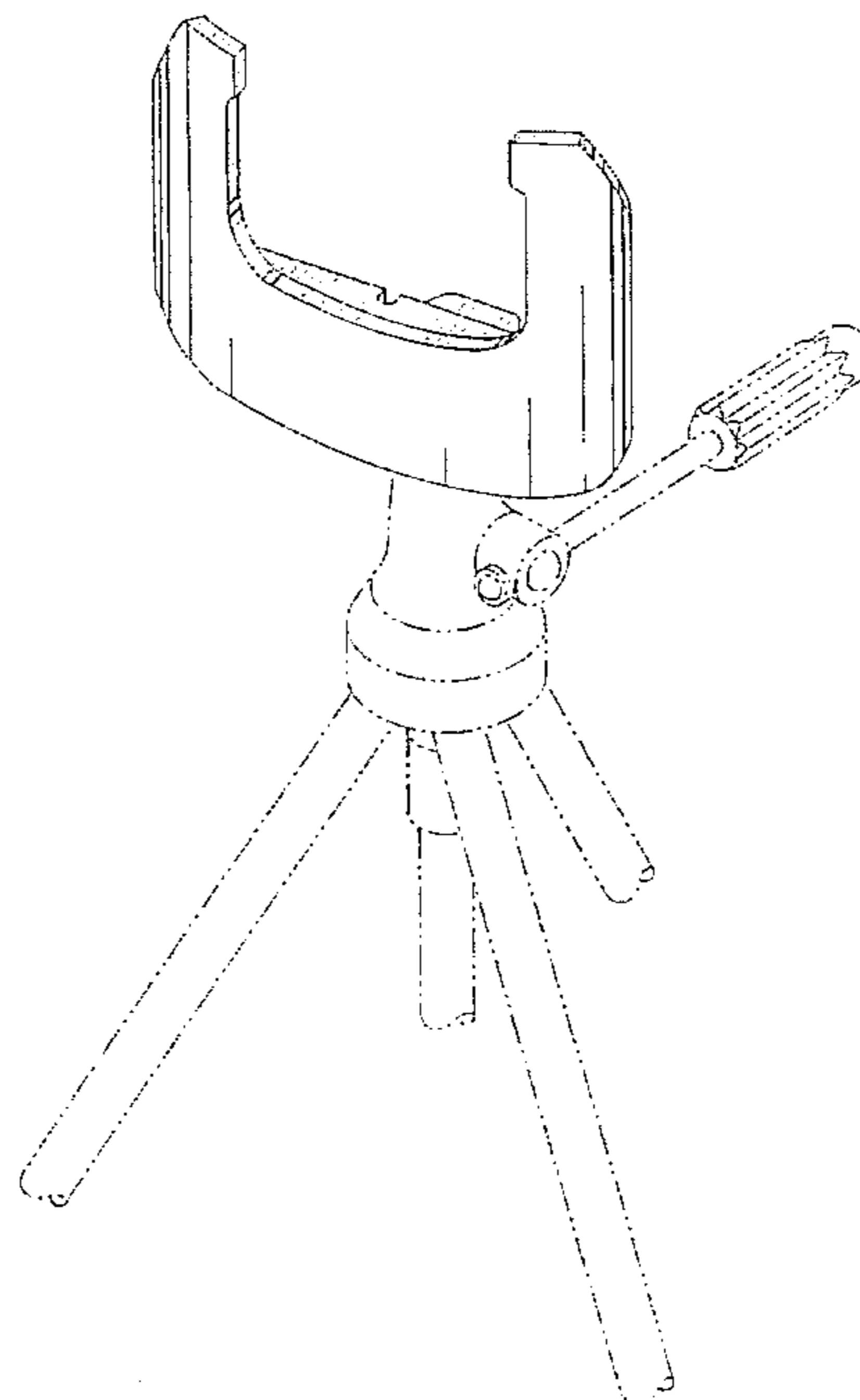
The broken line representation of the stand and mounting base shown connected to the gun rest in FIG. 1, FIG. 7, FIG. 13, and FIG. 19 is for purposes of illustration only, and forms no part of the claimed design.

#### FOREIGN PATENT DOCUMENTS

0071887	2/1983	European Pat. Off. .
3629843	6/1987	Germany .

Primary Examiner—Louis S. Zarfaz  
Assistant Examiner—Monica A. Weingart  
Attorney, Agent, or Firm—John P. O'Banion

1 Claim, 16 Drawing Sheets



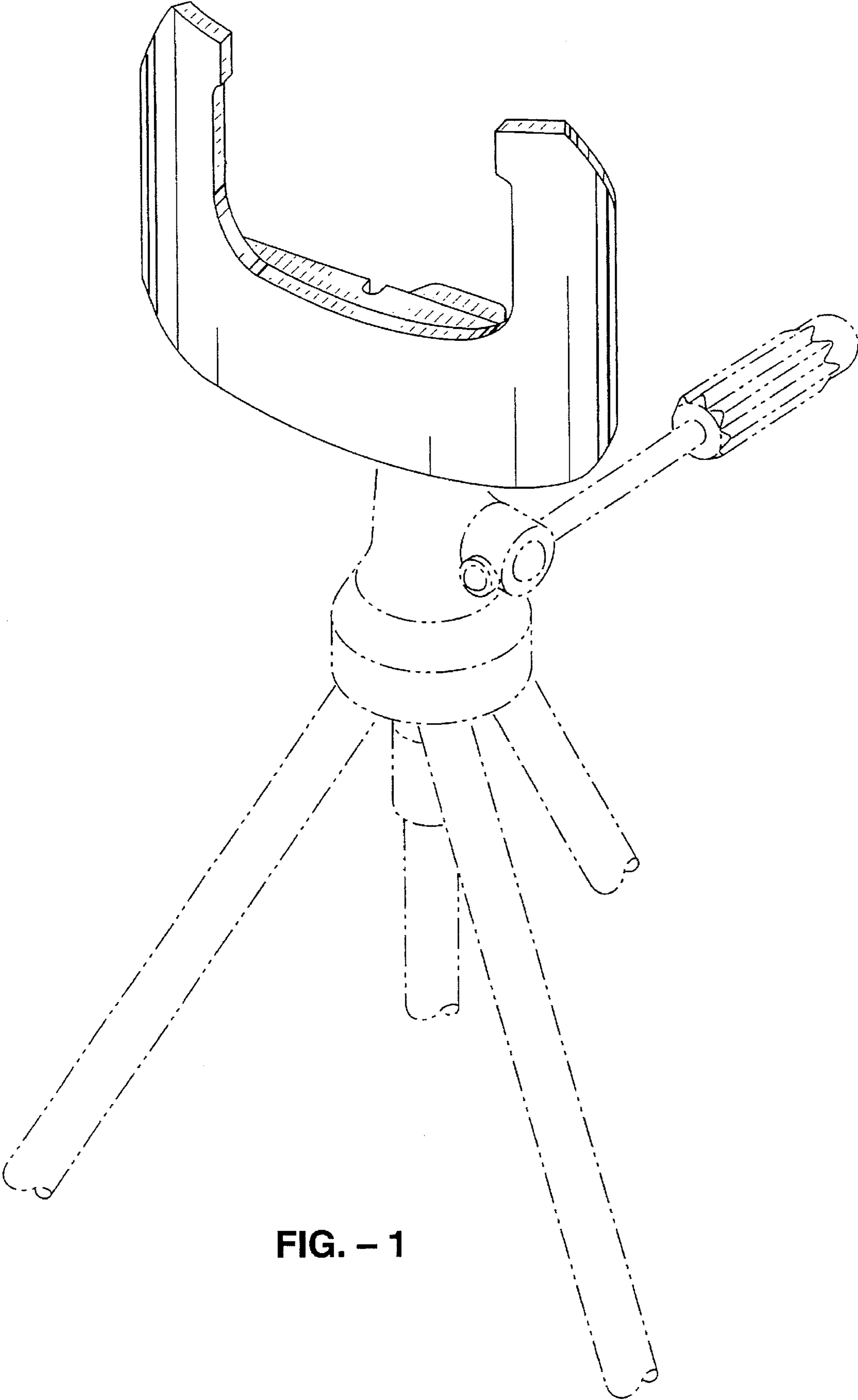


FIG. - 1

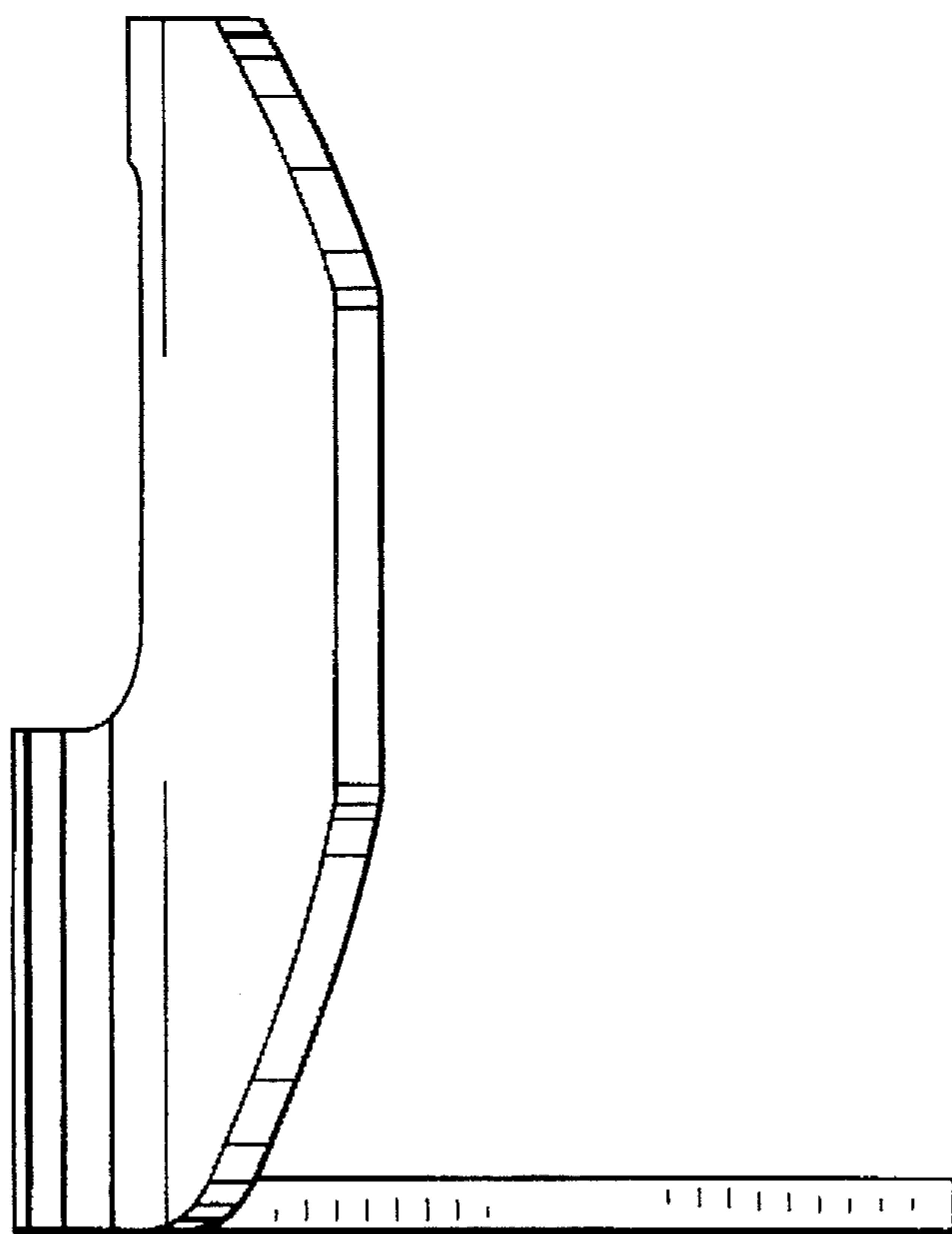


FIG. - 2

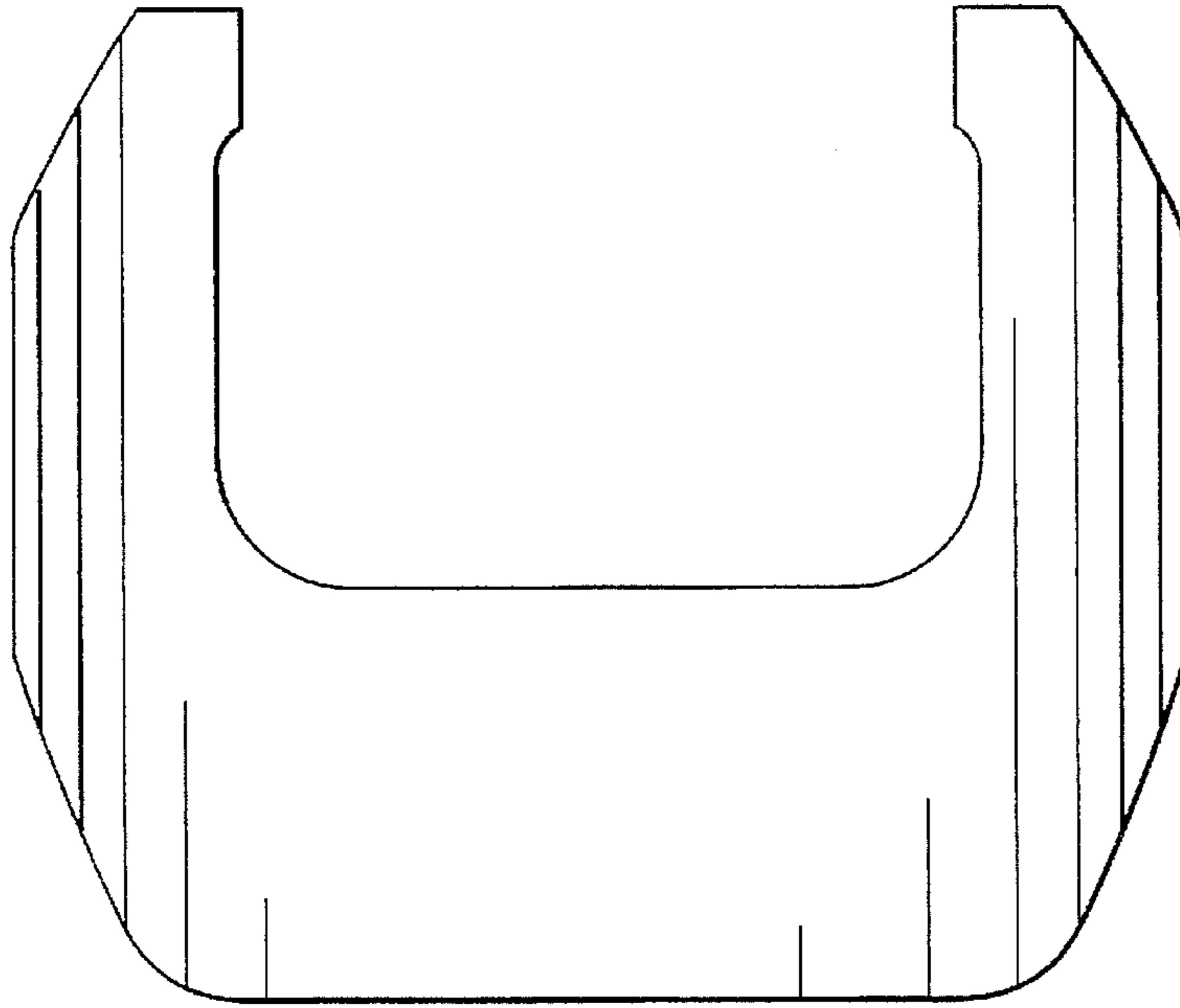


FIG. - 3

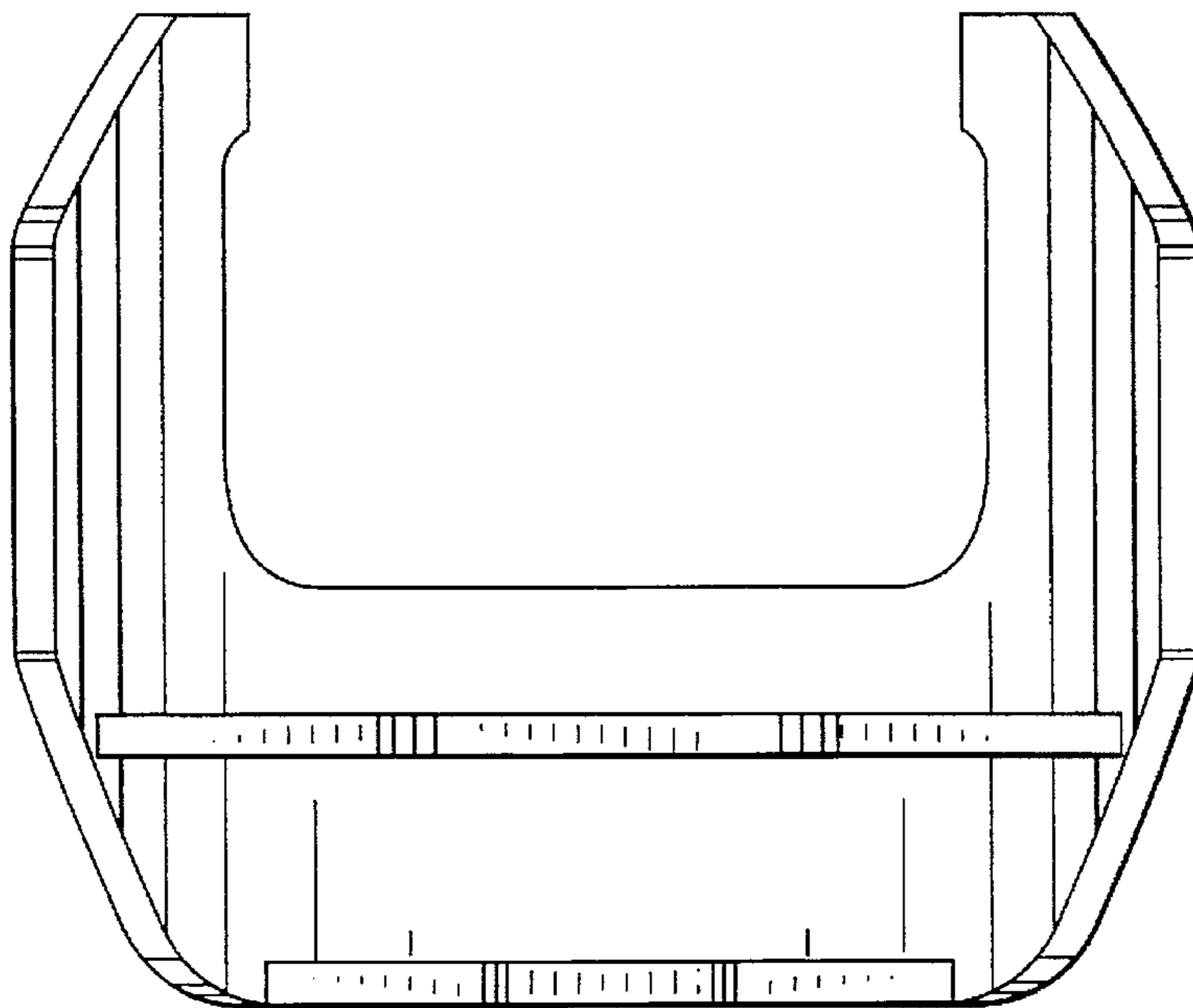


FIG. - 4

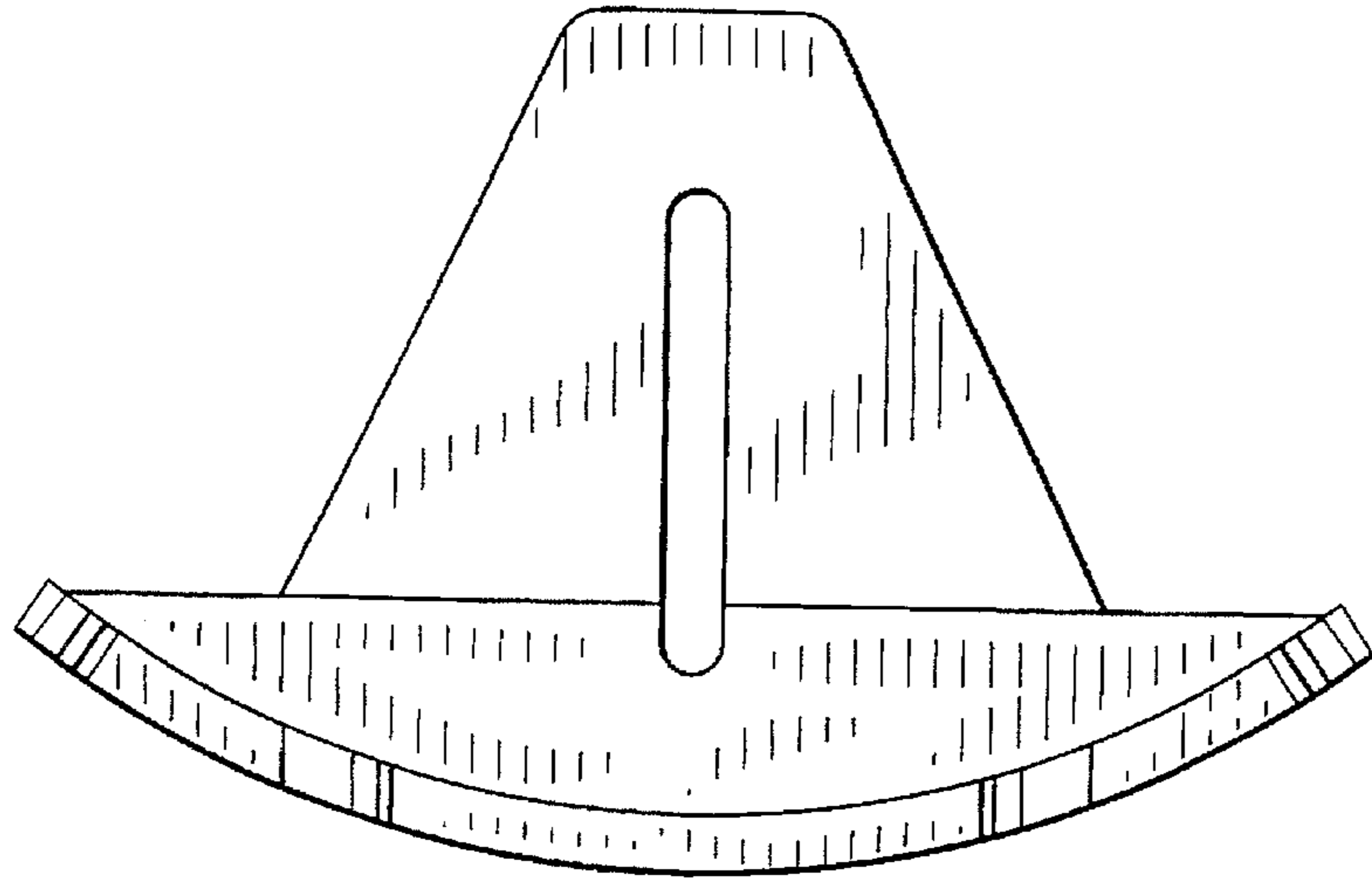


FIG. - 5

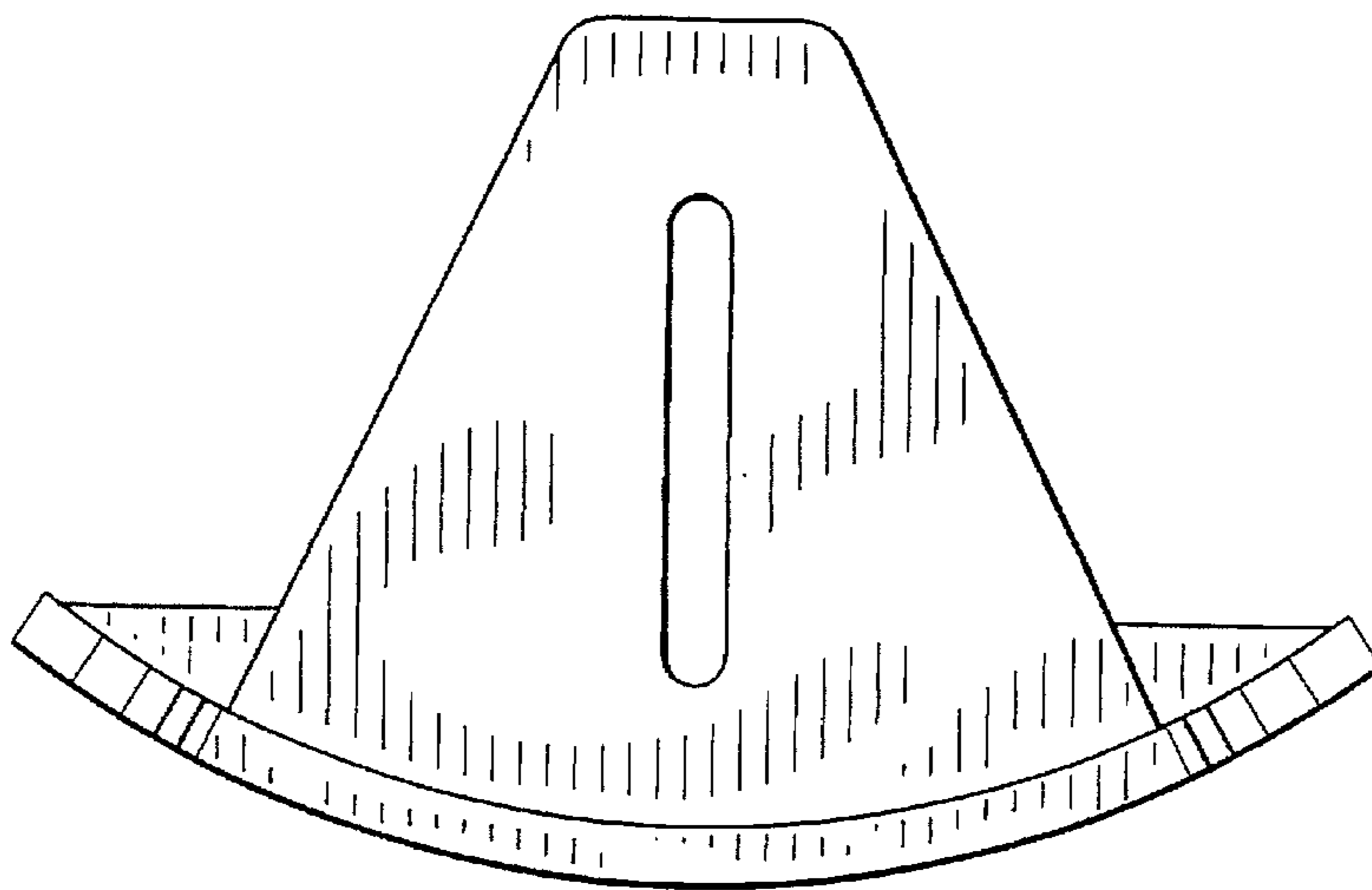


FIG. - 6

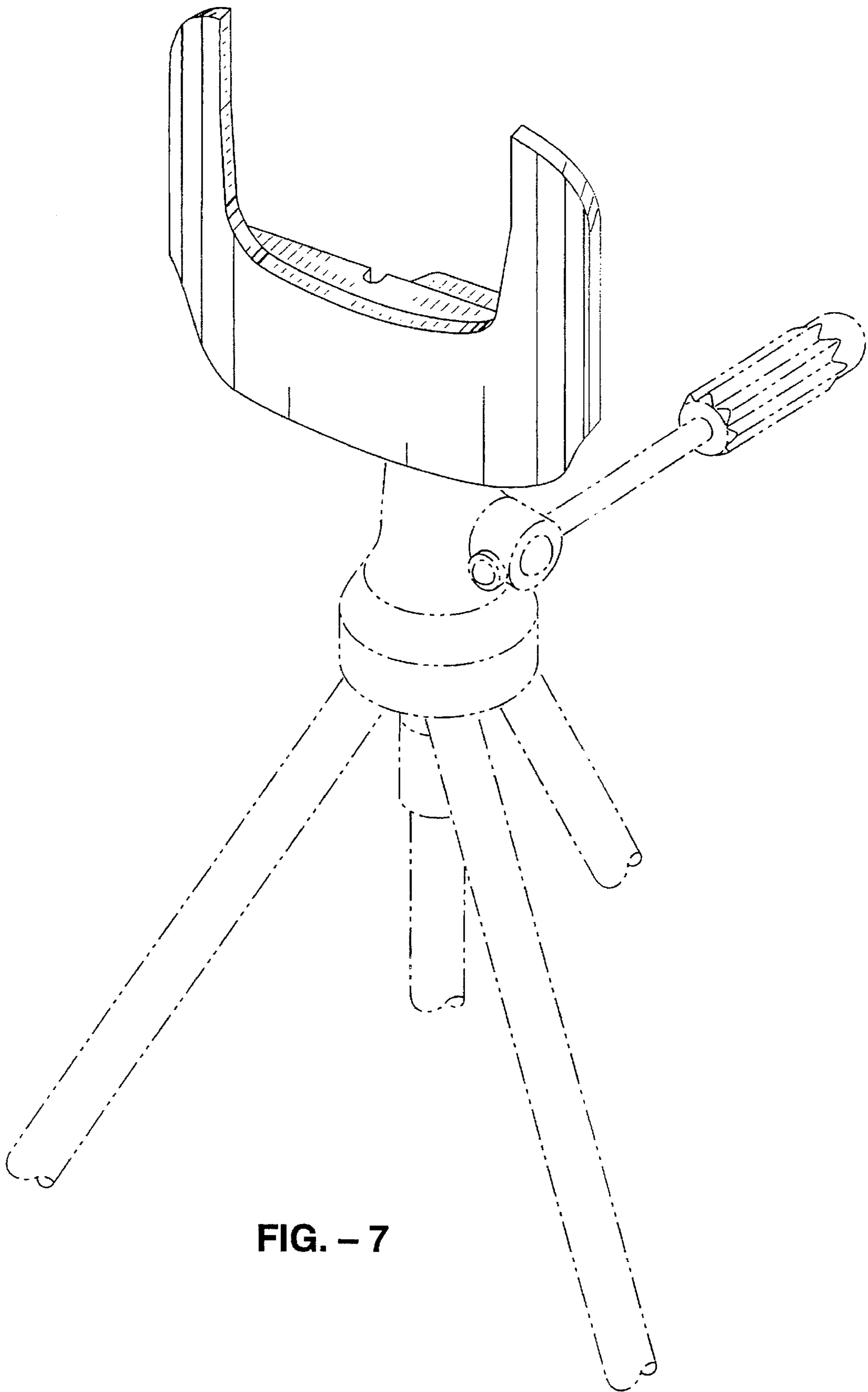
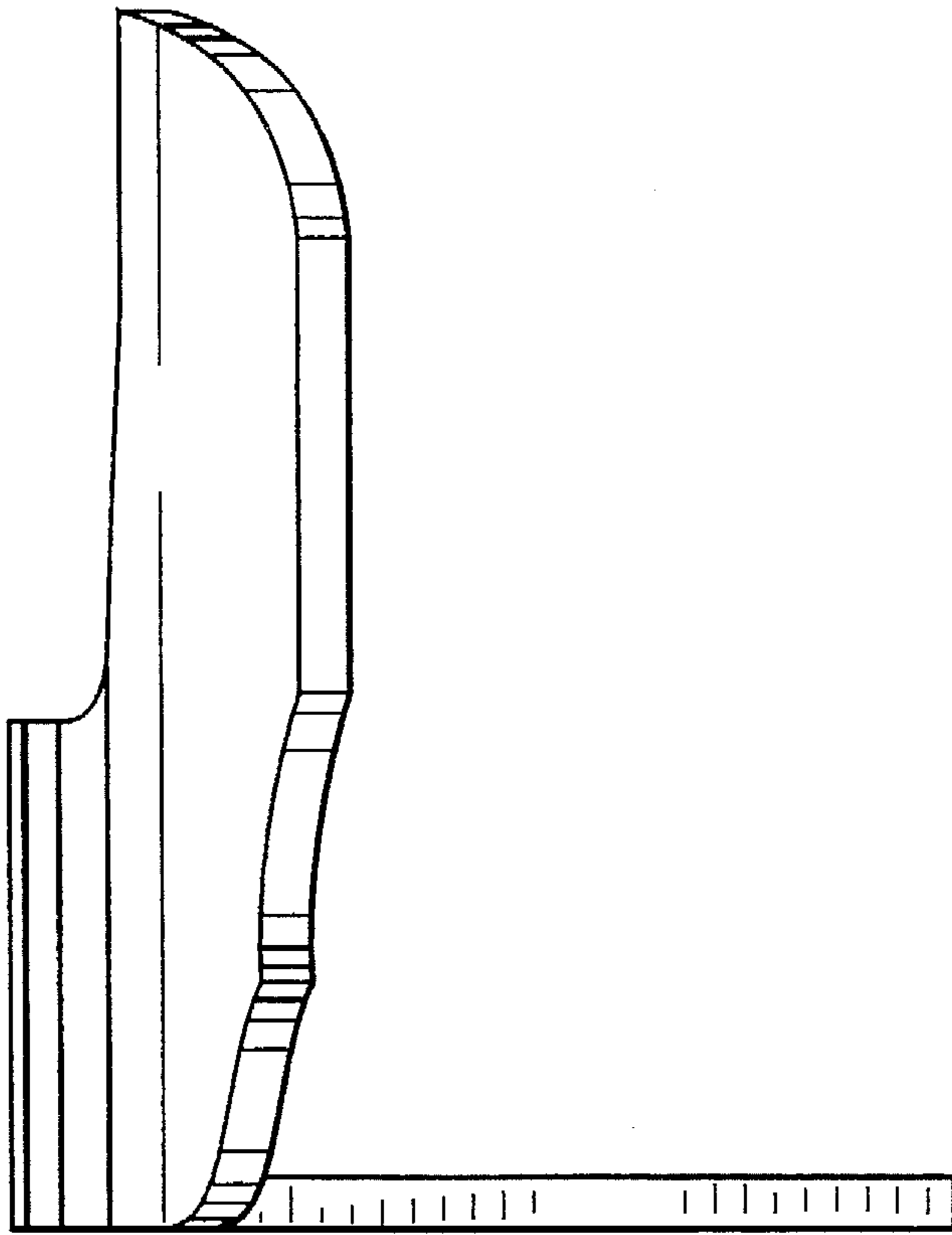


FIG. - 7



**FIG. - 8**

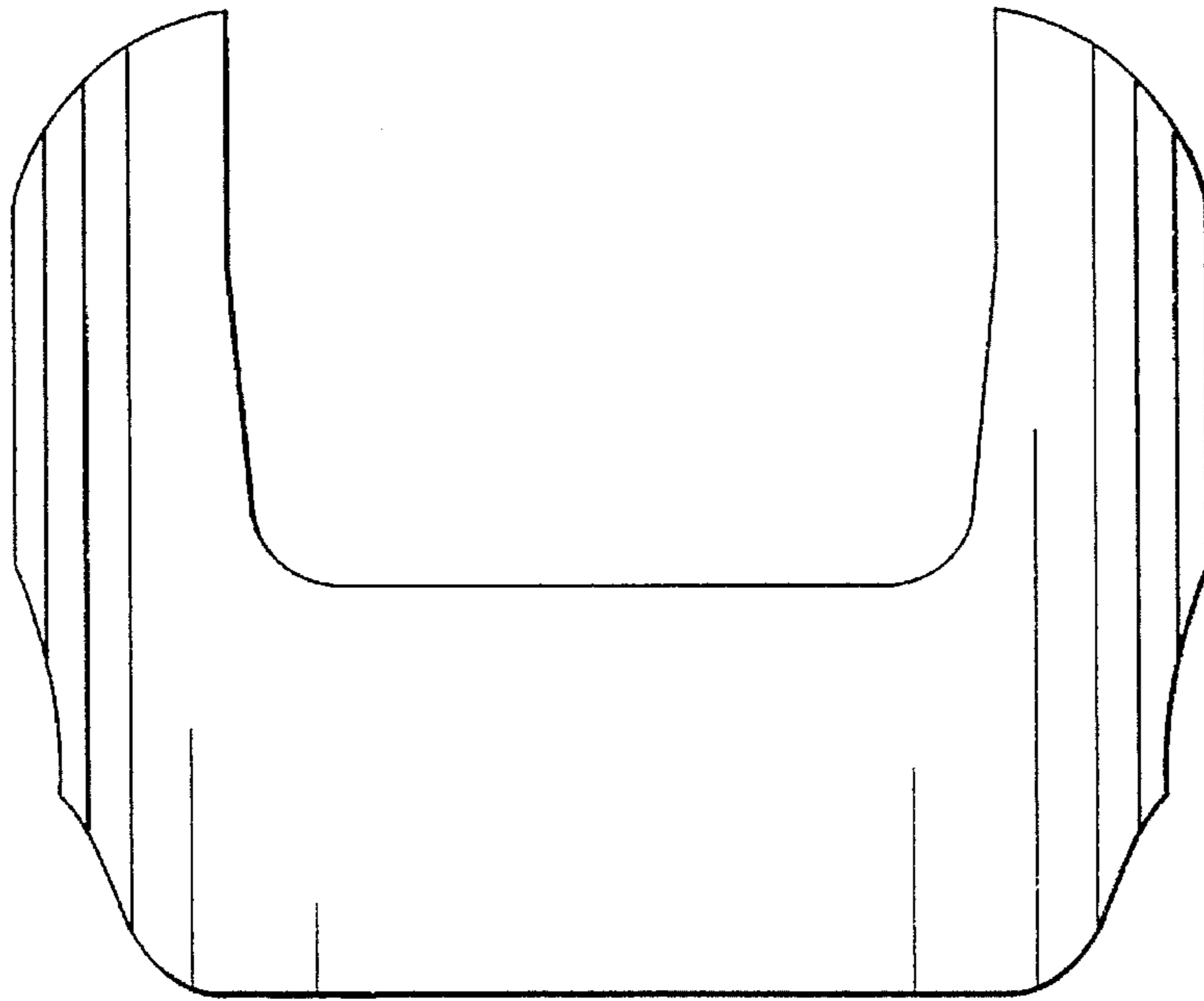


FIG. - 9

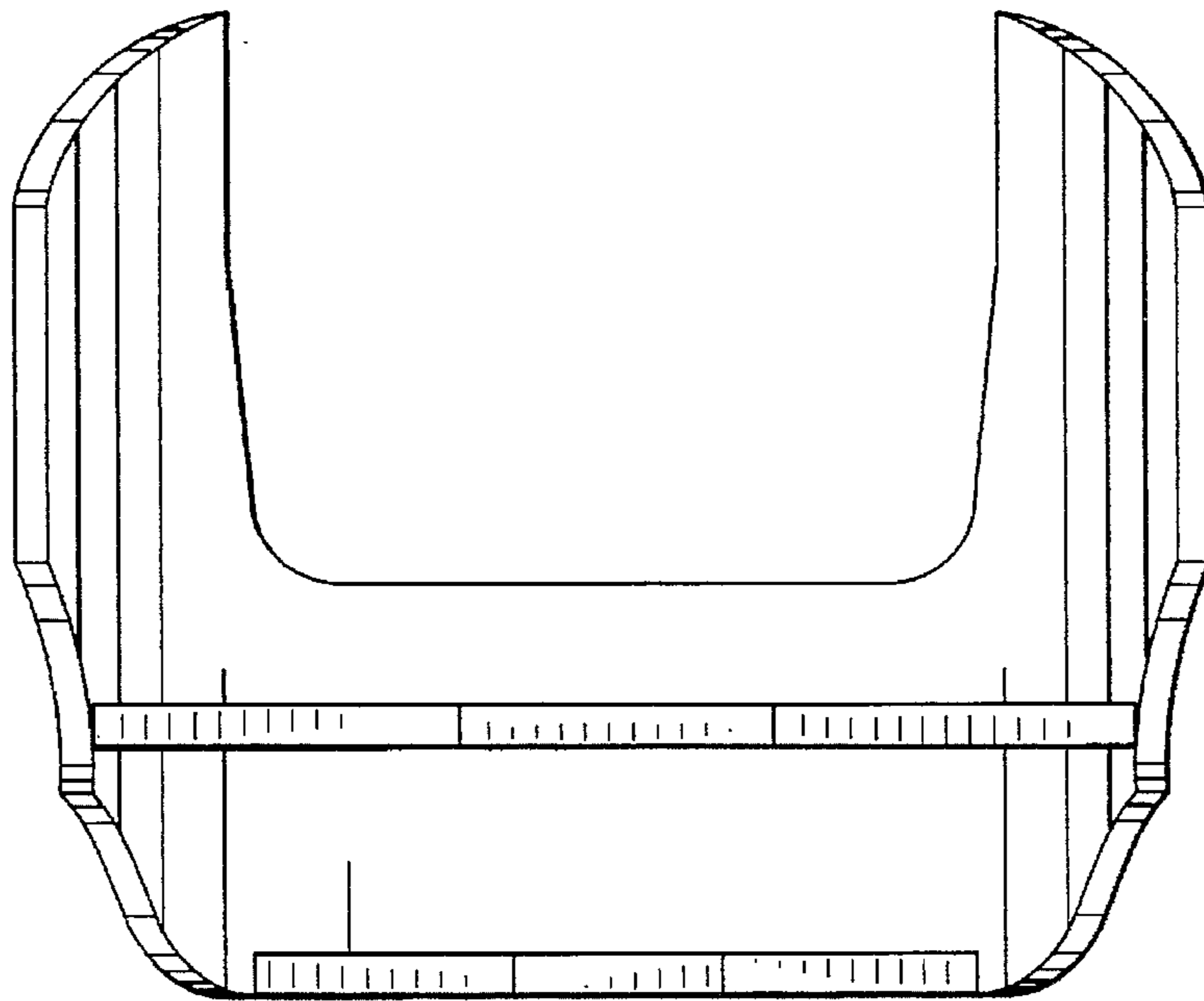


FIG. - 10



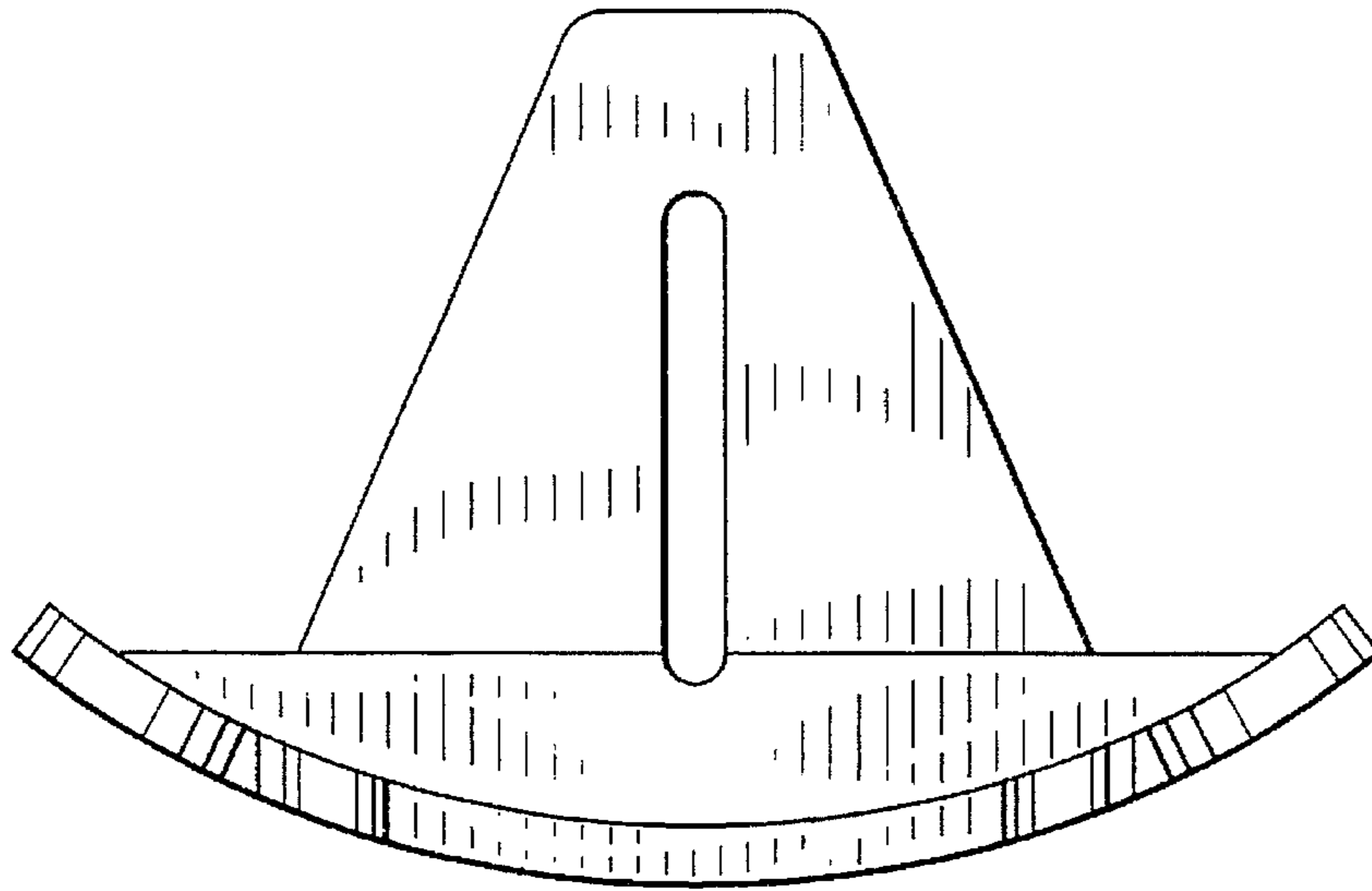


FIG. - 11

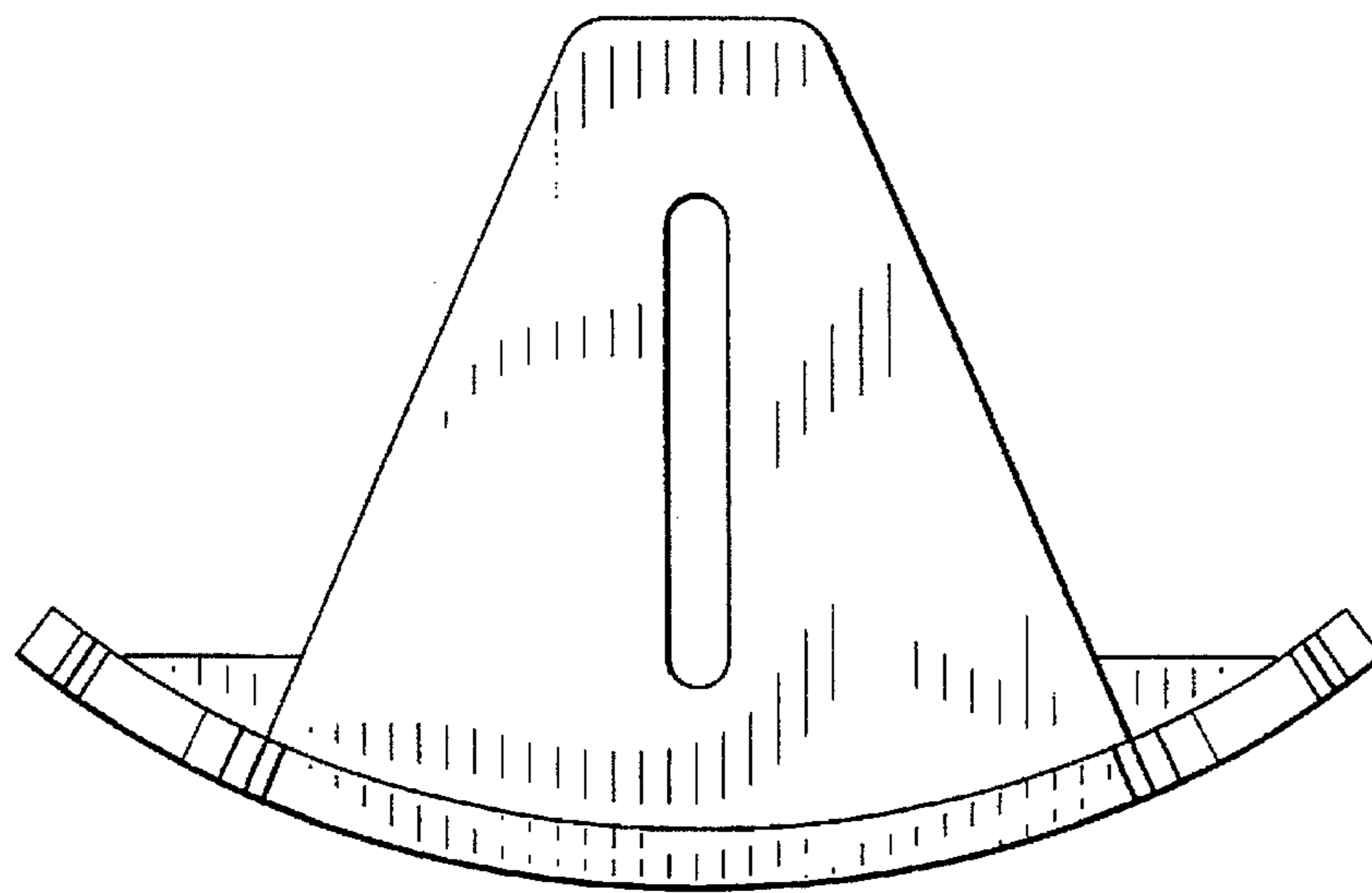


FIG. - 12

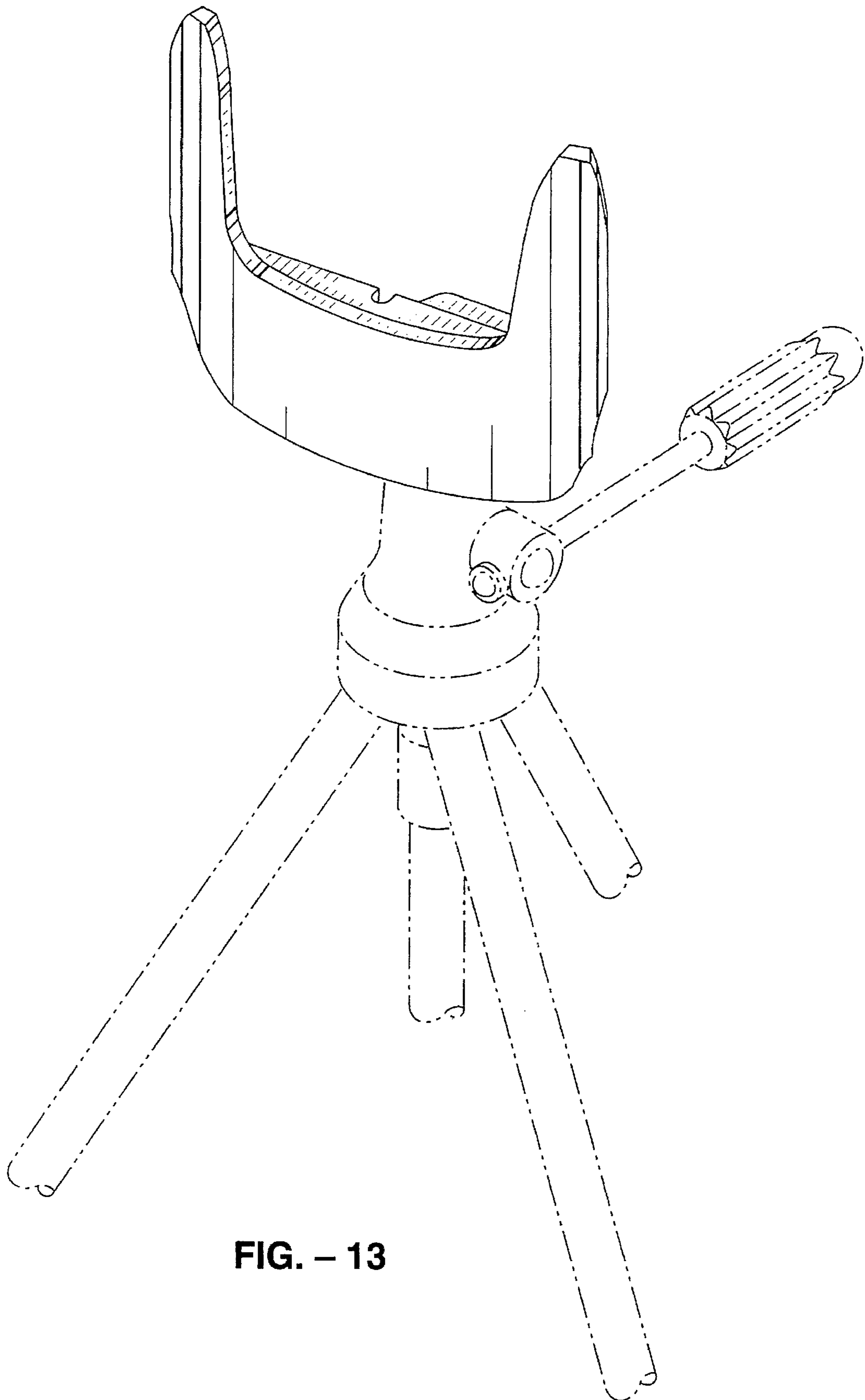


FIG. - 13

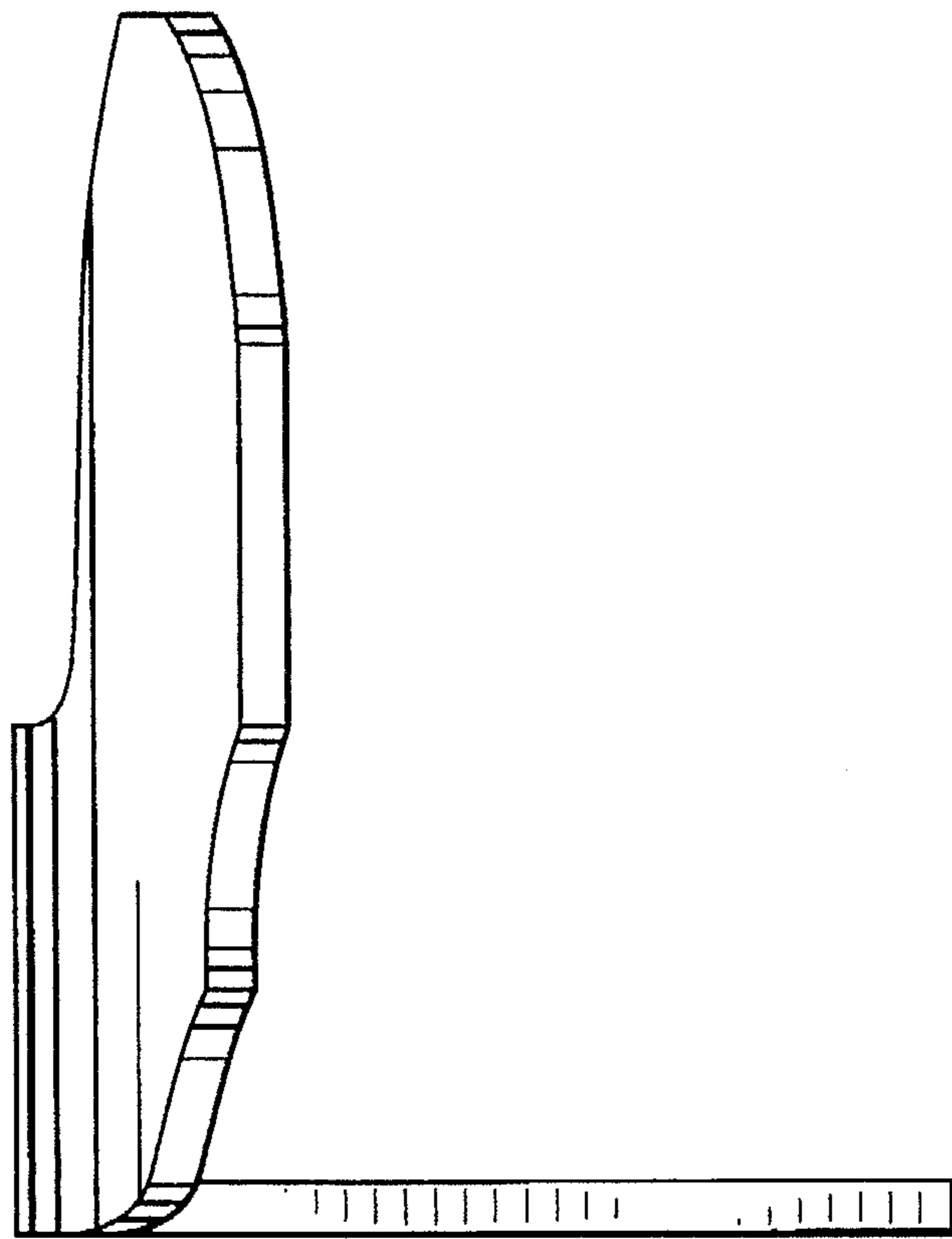


FIG. - 14

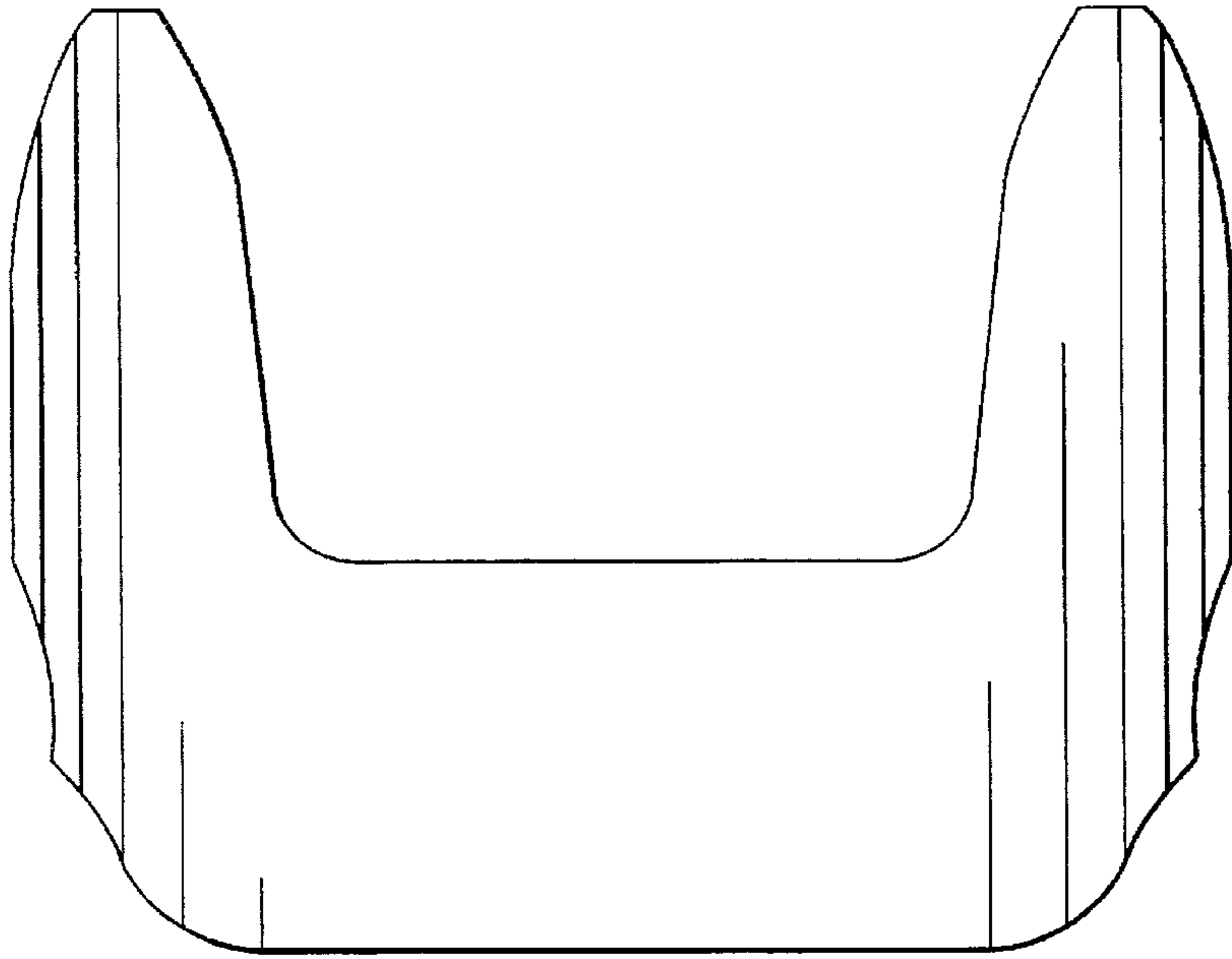


FIG. - 15

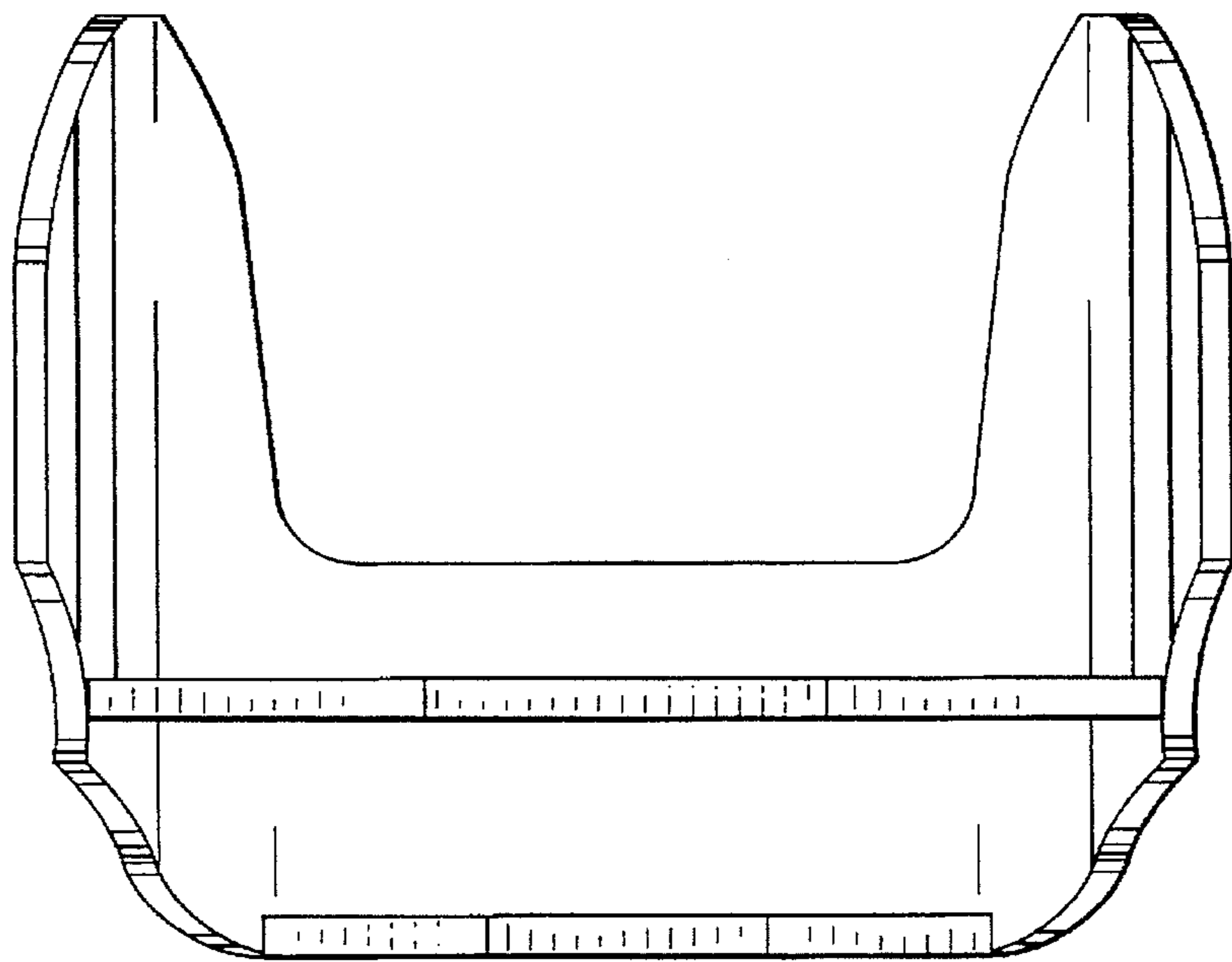


FIG. - 16

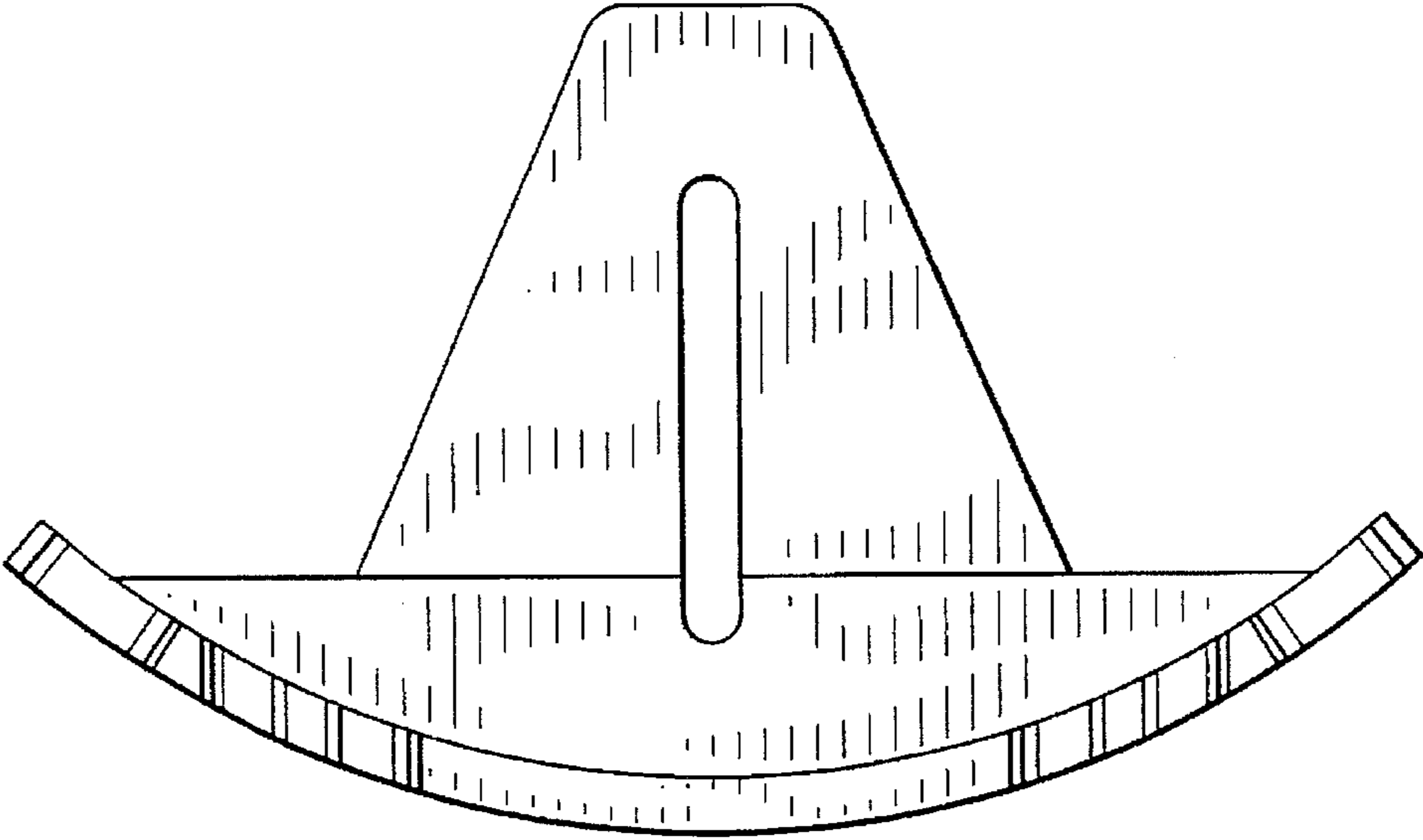


FIG. - 17

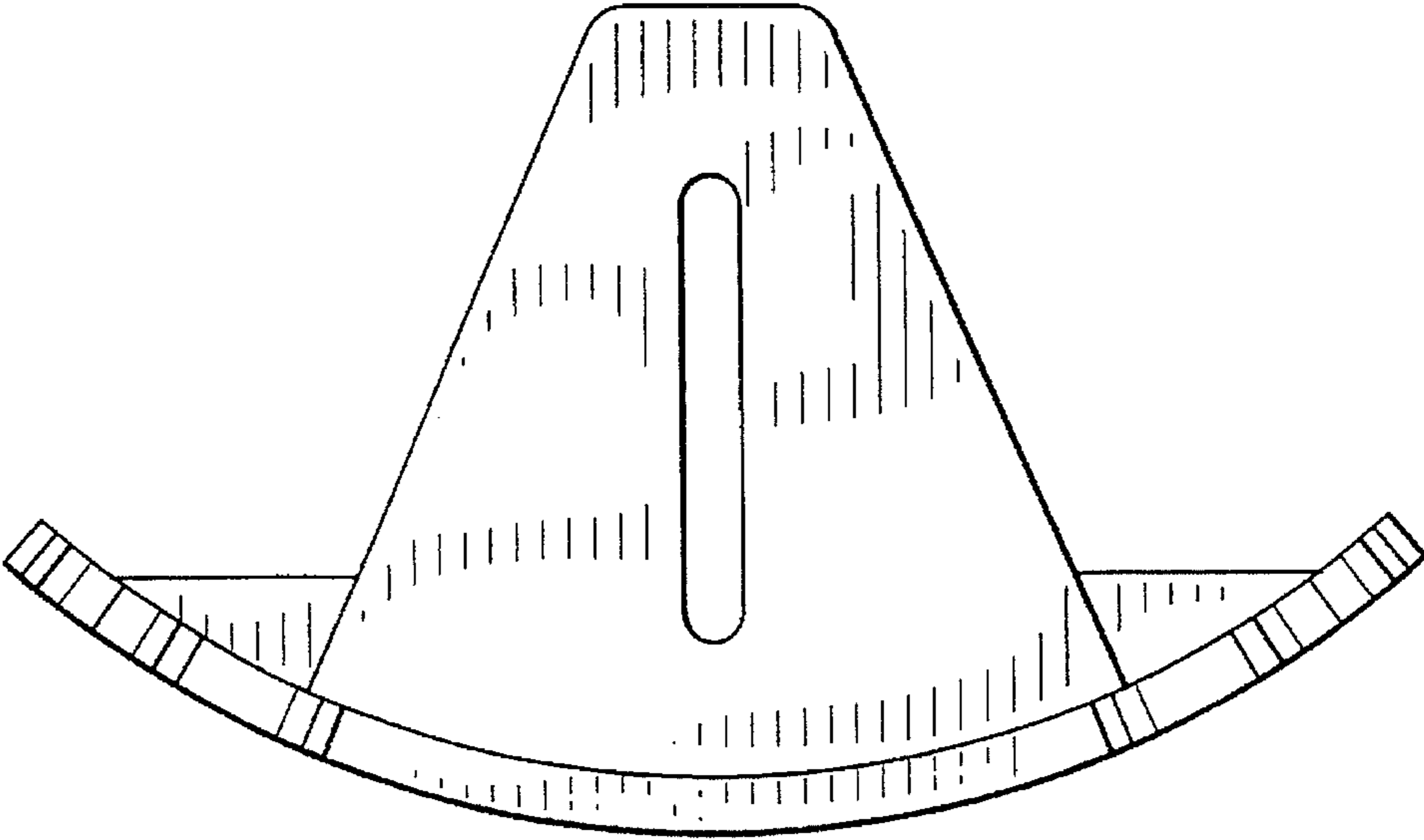


FIG. - 18

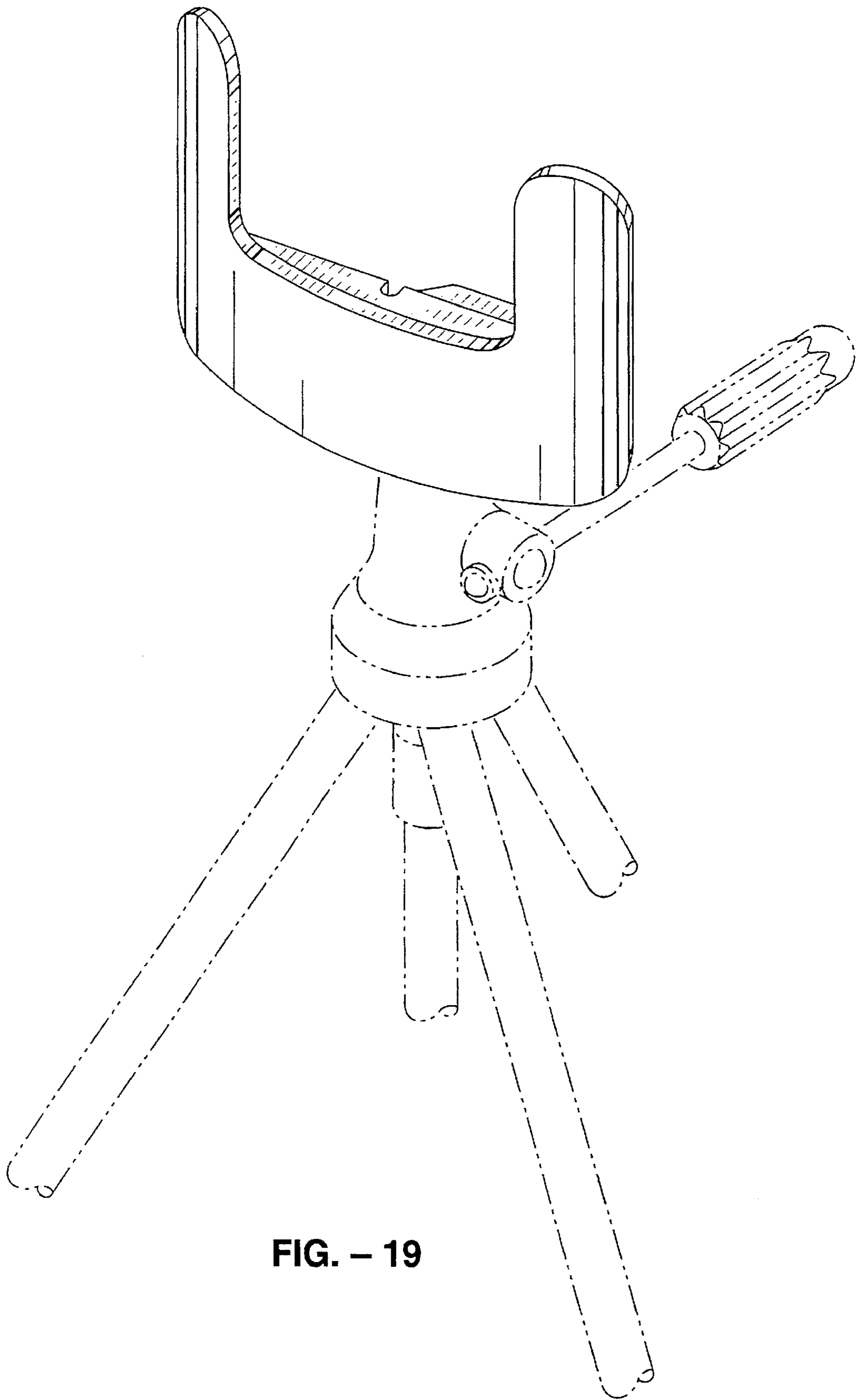


FIG. - 19

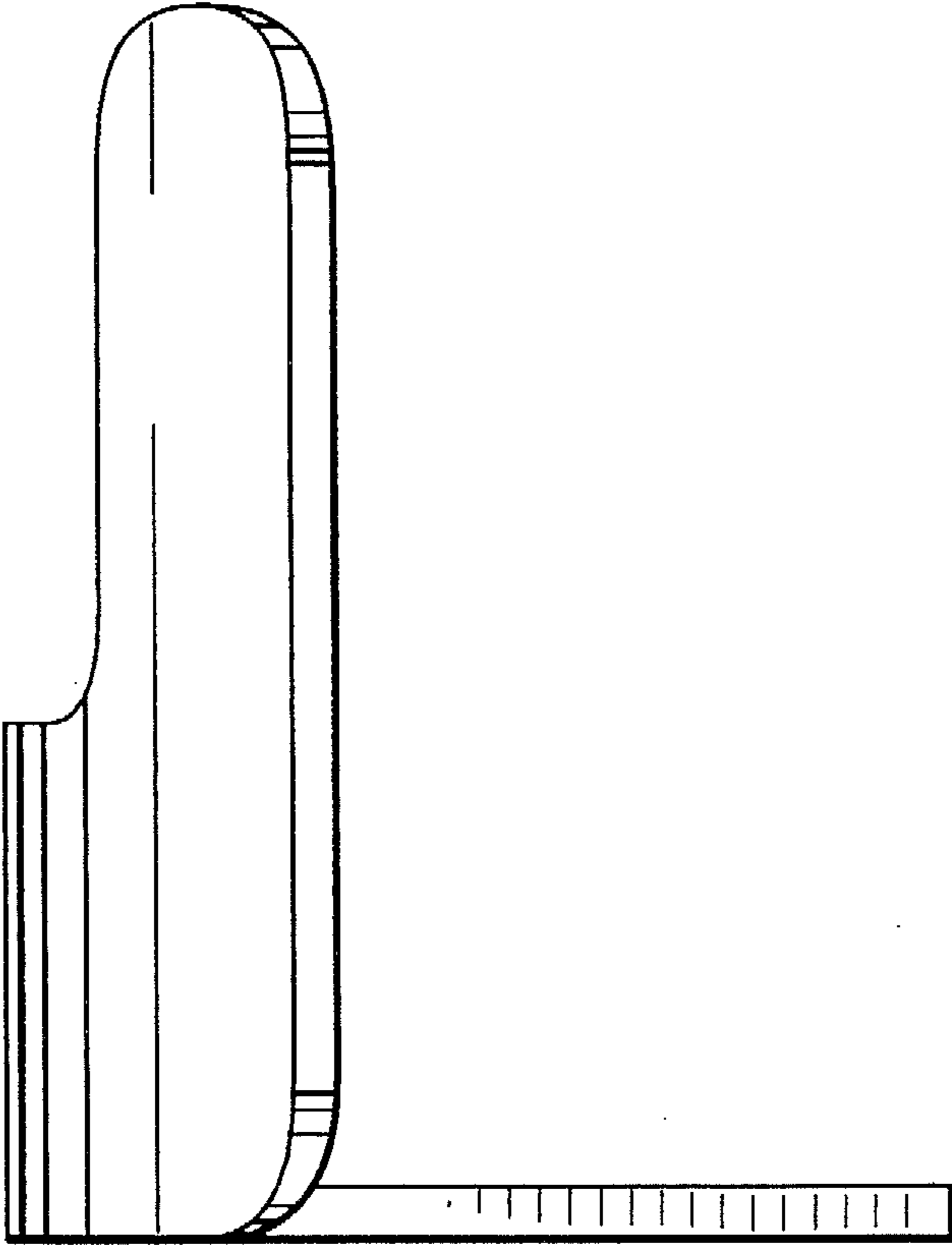


FIG. - 20

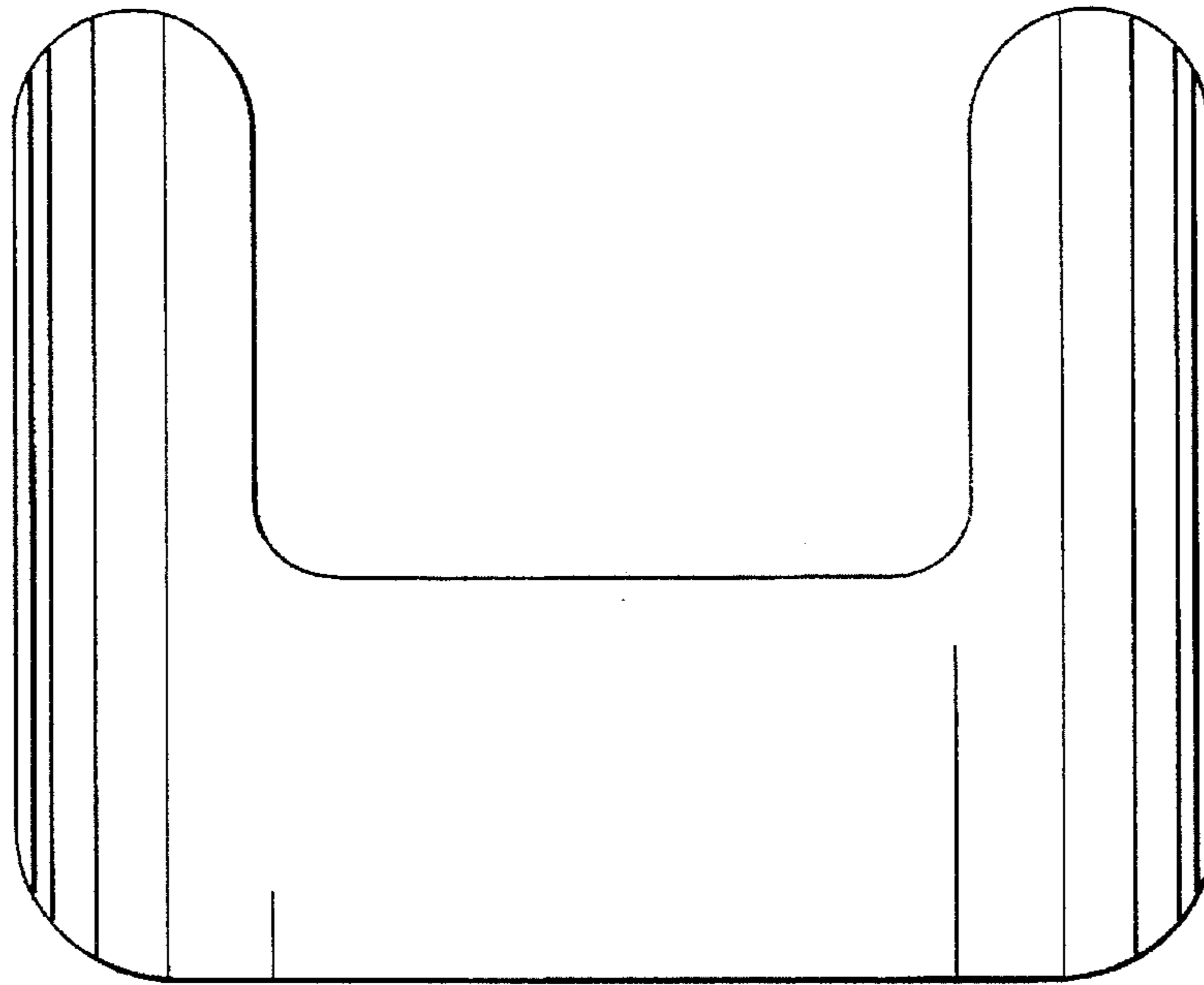


FIG. - 21

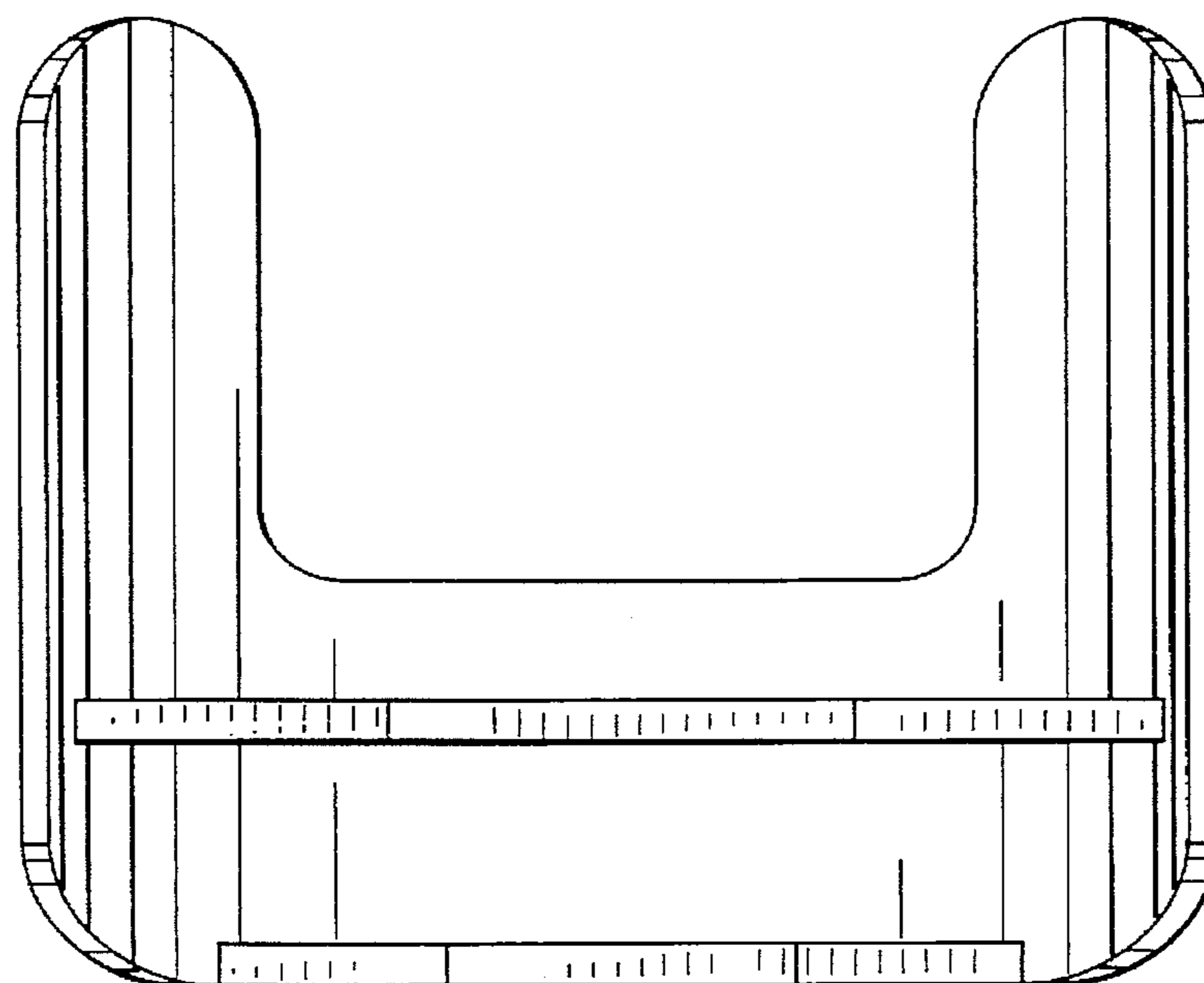


FIG. - 22



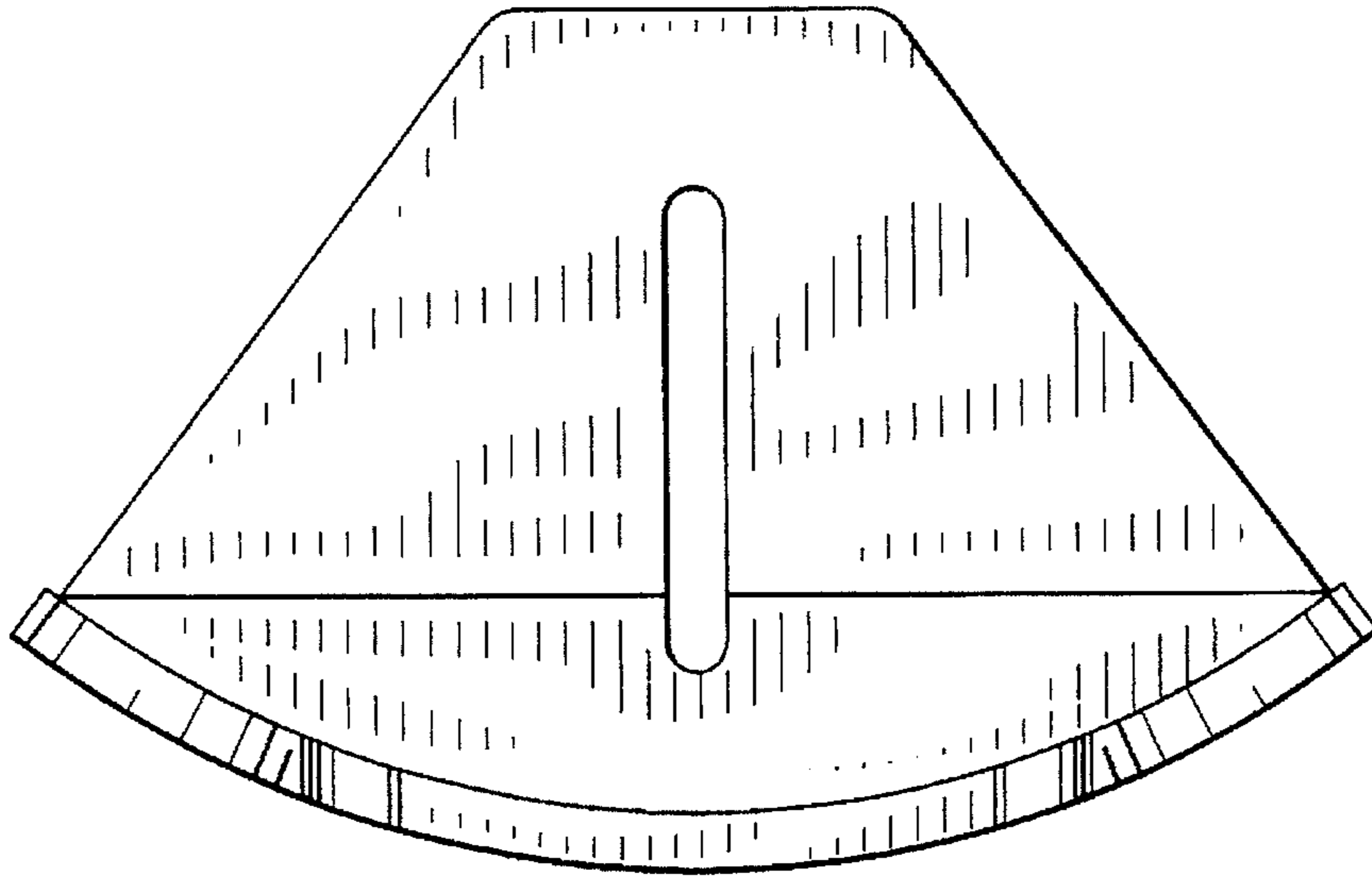


FIG. - 23

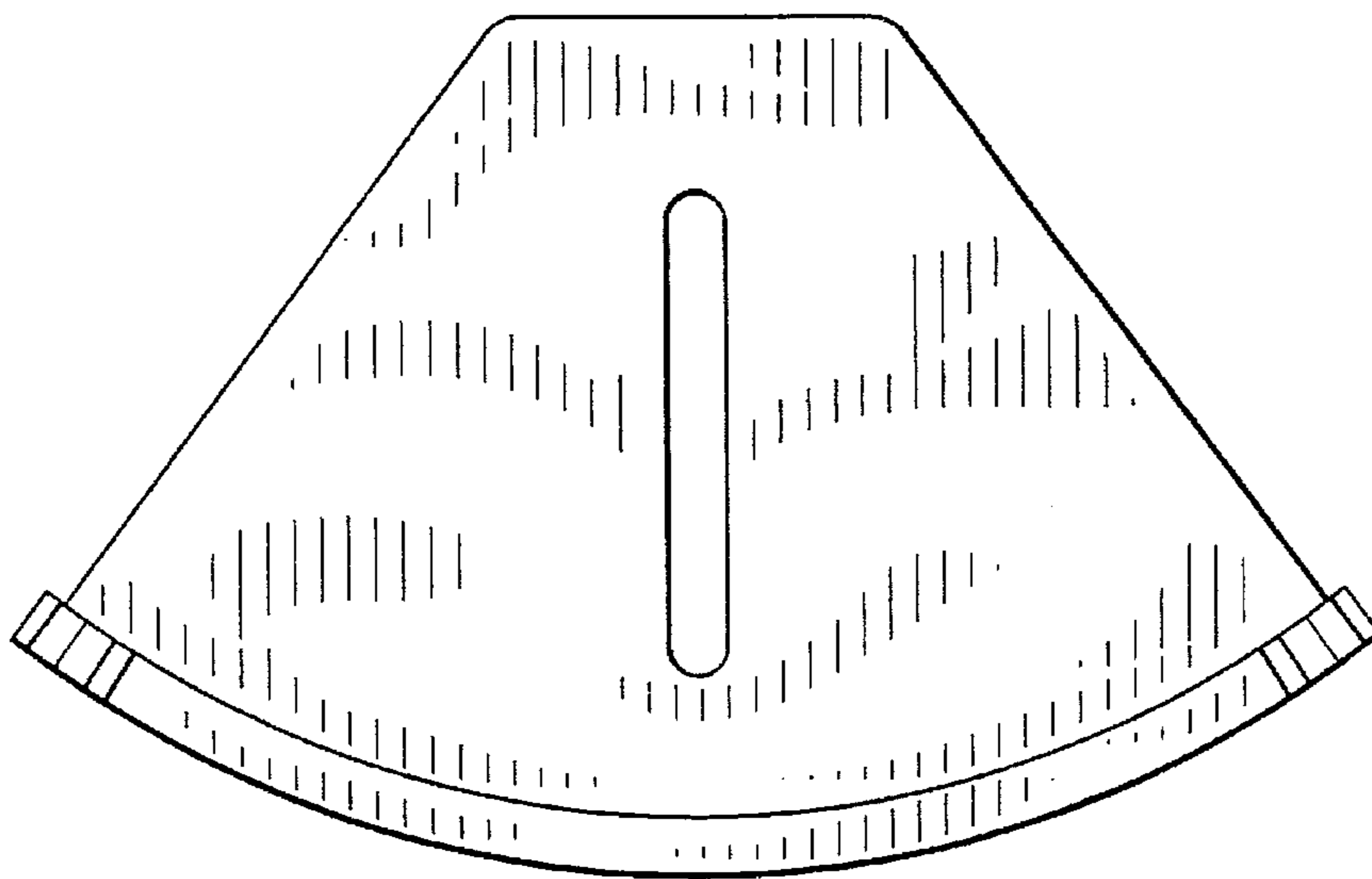


FIG. - 24