



US00D381387S

United States Patent [19]
Canaday et al.

[11] **Patent Number:** **Des. 381,387**

[45] **Date of Patent:** ****Jul. 22, 1997**

[54] **SHOULDER-LAUNCHED, MULTIPLE-PURPOSE ASSAULT WEAPON**

[75] **Inventors:** **Michael M. Canaday**, King George;
Fred W. Watson, Jr., Montross, both of Va.

[73] **Assignee:** **The United States of America as represented by the Secretary of the Navy**, Washington, D.C.

[**] **Term:** **14 Years**

[21] **Appl. No.:** **42,682**

[22] **Filed:** **Aug. 14, 1995**

[51] **LOC (6) Cl.** **22-01**

[52] **U.S. Cl.** **D22/100; D22/199**

[58] **Field of Search** D22/100, 101, D22/112, 199; D21/145, 146, 147; 42/22, 71.01; 89/1.7, 1.701, 1.702, 1.703, 1.704, 1.705, 1.816, 19, 127

[56] **References Cited**

U.S. PATENT DOCUMENTS

D. 204,469 4/1966 Ryan D21/146
D. 348,700 7/1994 Lin D21/146

2,466,714 4/1949 Kroeger et al. .
2,970,519 2/1961 Musser et al. D21/146
3,302,522 2/1967 Laureys 89/1.816 X
3,389,637 6/1968 Beier et al. .
3,490,330 1/1970 Walther .
3,494,249 2/1970 Choate .
4,432,269 2/1984 Castagner et al. 89/1.816
4,554,860 11/1985 Johansson et al. 89/1.7
4,895,061 1/1990 Baricos et al. .

Primary Examiner—Louis S. Zarfes
Assistant Examiner—Monica A. Weingart
Attorney, Agent, or Firm—James B. Bechtel, Esq.

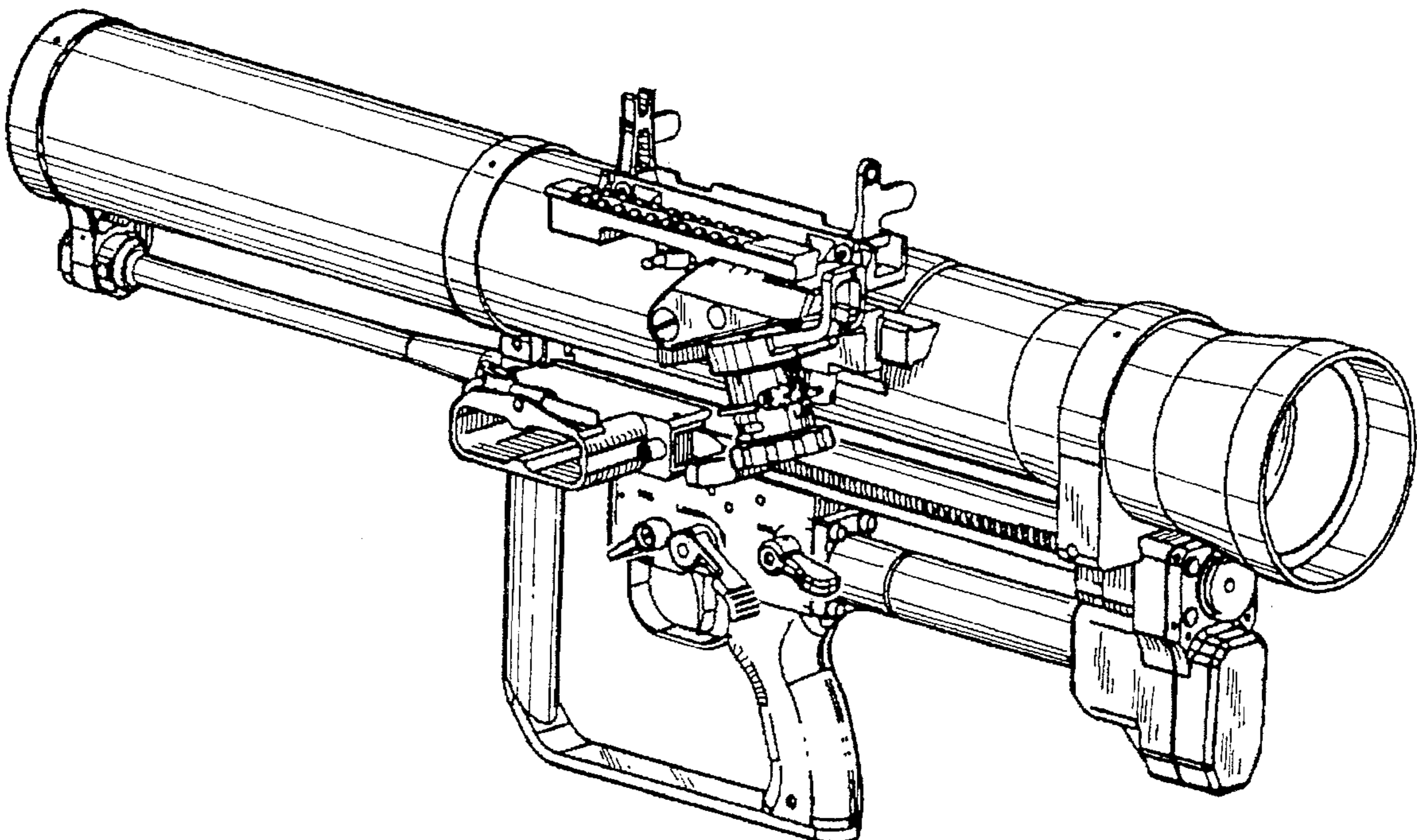
[57] **CLAIM**

The ornamental design for a shoulder-launched, multiple-purpose assault weapon, as shown and described.

DESCRIPTION

FIG. 1 is perspective view of the shoulder-launched, multiple-purpose assault weapon;
FIG. 2 is a frontward looking view of the present invention;
FIG. 3 is a rearward looking view of the present invention;
FIG. 4 is a top view of the present invention;
FIG. 5 is a right side view of the present invention;
FIG. 6 is a left side view of the present invention; and
FIG. 7 is a bottom view of the present invention.

1 Claim, 3 Drawing Sheets



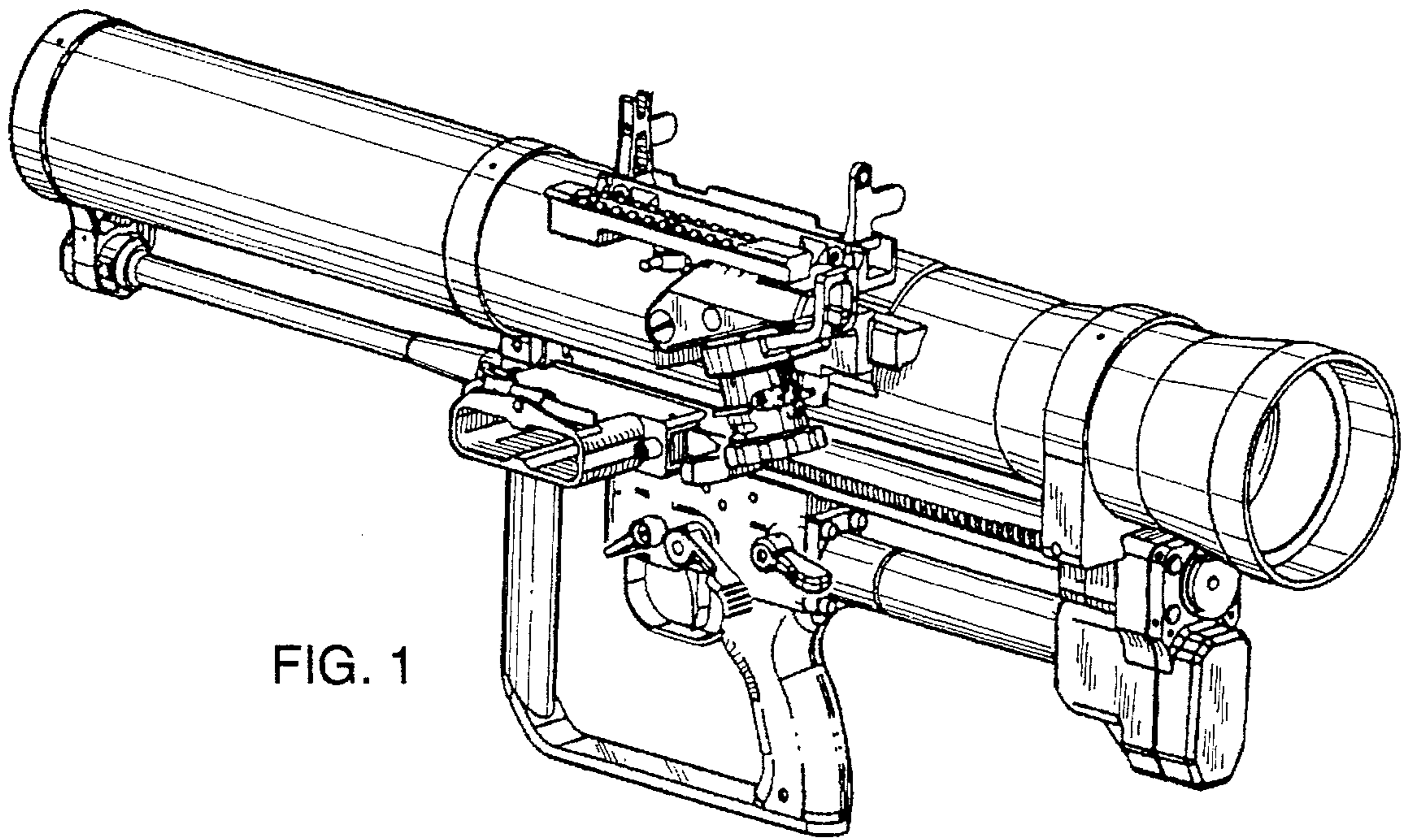


FIG. 1

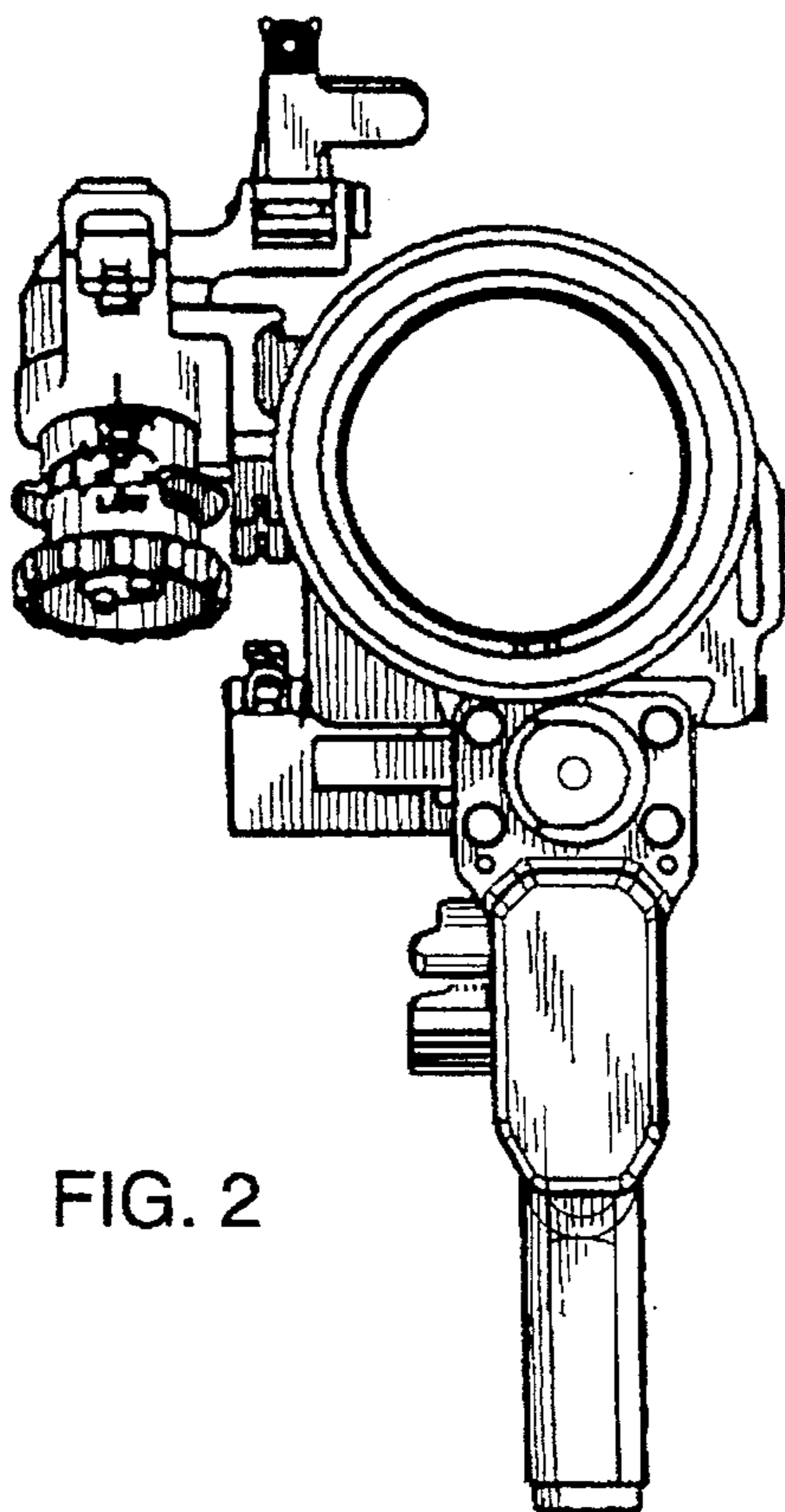


FIG. 2

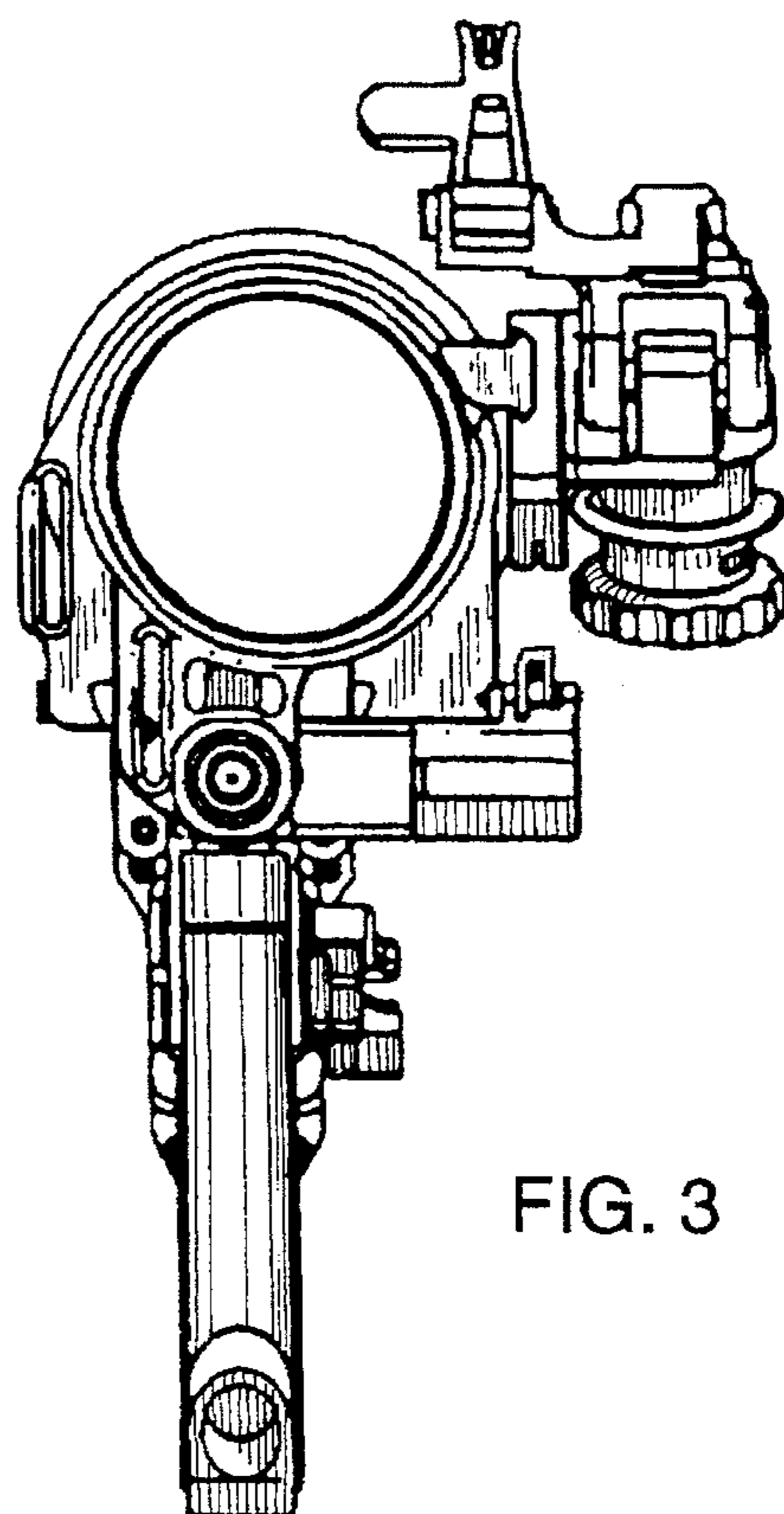


FIG. 3

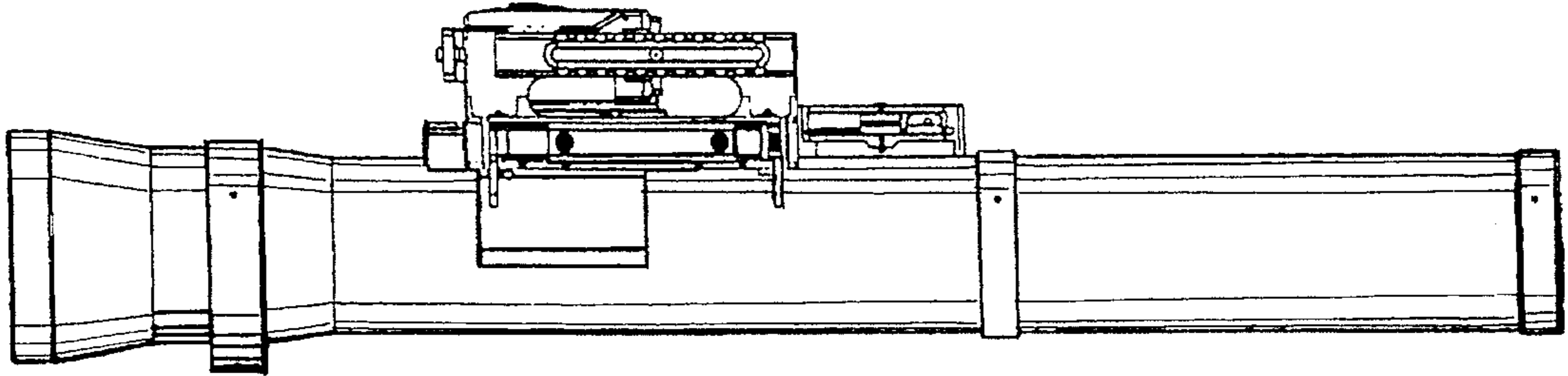


FIG. 4

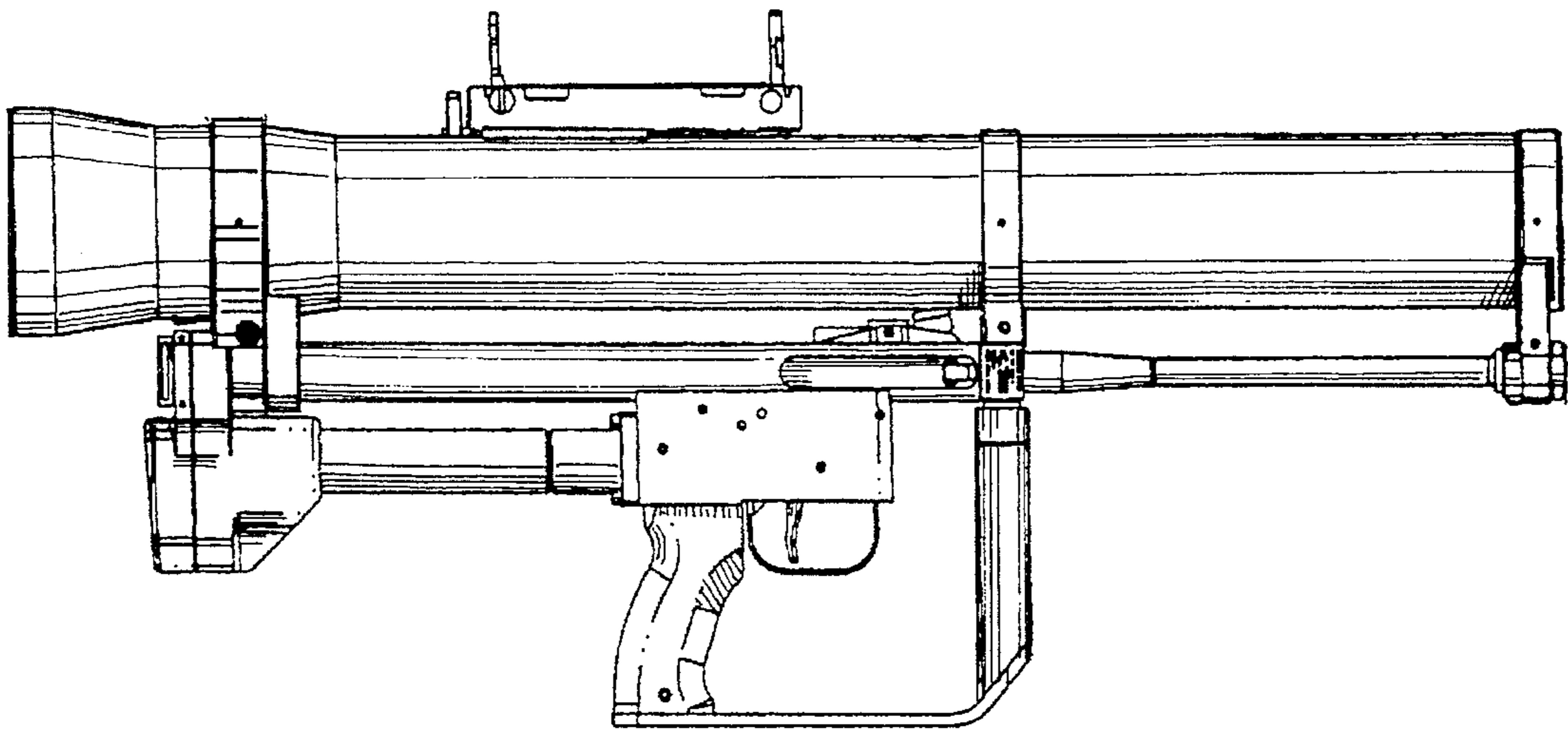


FIG. 5

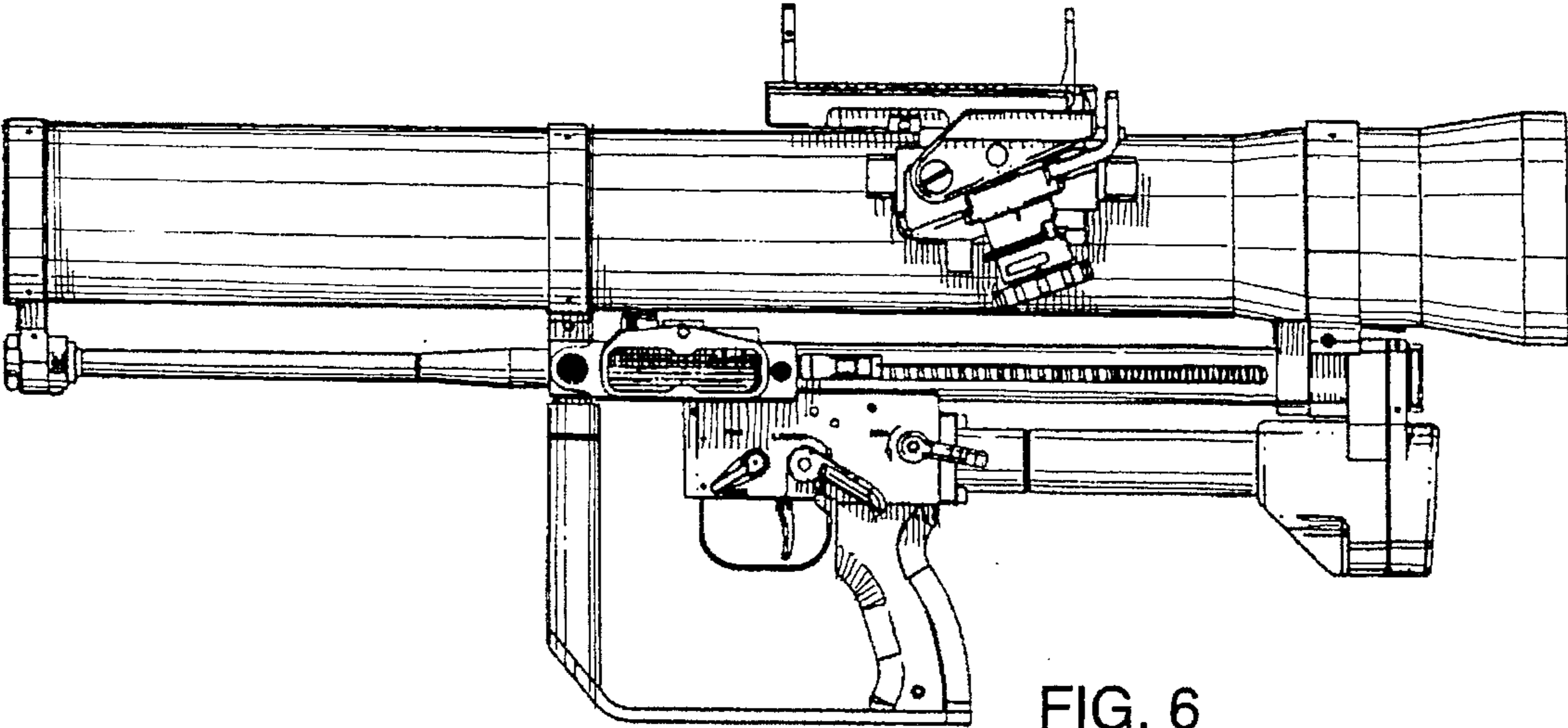


FIG. 6

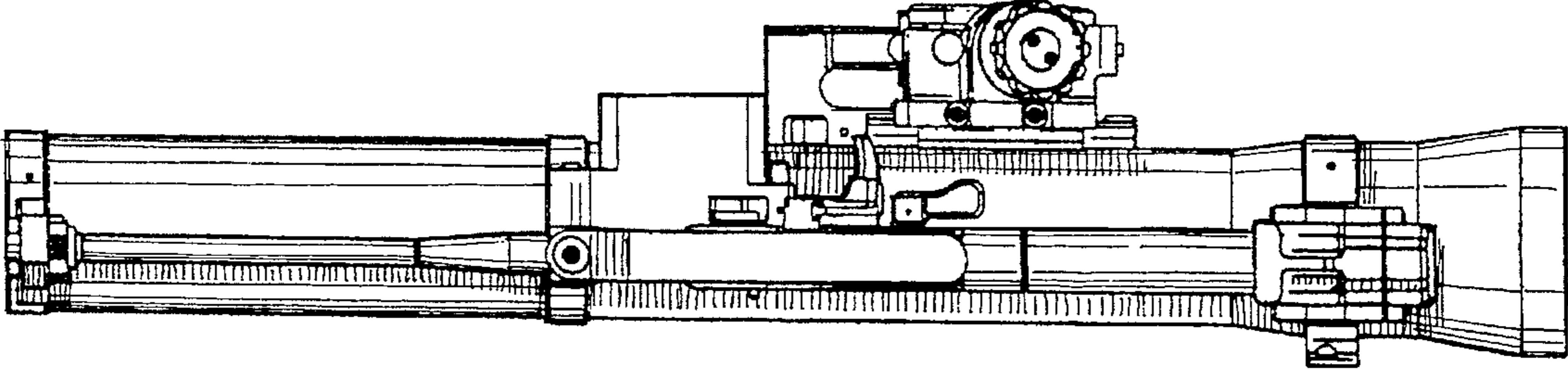


FIG. 7