



US00D381386S

United States Patent [19]

[11] Patent Number: **Des. 381,386**

Strawcutter et al.

[45] Date of Patent: ****Jul. 22, 1997**

[54] RECREATIONAL EQUIPMENT DEVICE

[75] Inventors: **Grant M. Strawcutter; James O. Dunn, Jr.**, both of Charlotte; **Todd A. Coble**, Stanfield, all of N.C.

[73] Assignee: **Soft Play, L.L.C.**, Charlotte, N.C.

[**] Term: **14 Years**

[21] Appl. No.: **55,394**

[22] Filed: **Jun. 5, 1996**

[51] LOC (6) Cl. **21-03**

[52] U.S. Cl. **D21/240; D21/245**

[58] Field of Search **D21/240, 244, D21/245; 402/35; 52/11, 12, 73; D25/267; 119/416; 285/181, 184, 330, 331**

[56] **References Cited**

U.S. PATENT DOCUMENTS

D. 218,455	8/1970	Dattner	D21/245
D. 218,456	8/1970	Dattner	D21/245
D. 218,457	8/1970	Dattner	D21/245
D. 218,460	8/1970	Dattner	D21/245
D. 308,562	6/1990	Pentes	D21/242
1,125,642	1/1915	Blanchard	285/181
1,939,987	12/1933	Klomprens	285/181
2,581,047	1/1952	Salmond et al.	285/181
3,578,381	5/1971	Young	297/300
3,859,961	1/1975	Willinger et al.	119/416
3,936,140	2/1976	Ahrens	272/54
3,955,328	5/1976	Lindsay	52/73
4,379,550	4/1983	Petersen	272/52
4,995,603	2/1991	Reed	272/18

5,062,624	11/1991	Reed	272/1
5,205,748	4/1993	Petersheim	482/35
5,387,165	2/1995	Warren	482/35
5,496,232	3/1996	Morris et al.	482/35
5,540,636	7/1996	Hellen	482/35

OTHER PUBLICATIONS

Miracle Recreation Equipment Company 1995 Park & Playground Catalog, pp. 79-80.
Soft Play, L.L.C.'s 1995 "Value Series" brochure dated 1995.

Primary Examiner—Sandra L. Morris
Assistant Examiner—Mitchell I. Siegel
Attorney, Agent, or Firm—Polster Lieder Woodruff & Lucchesi

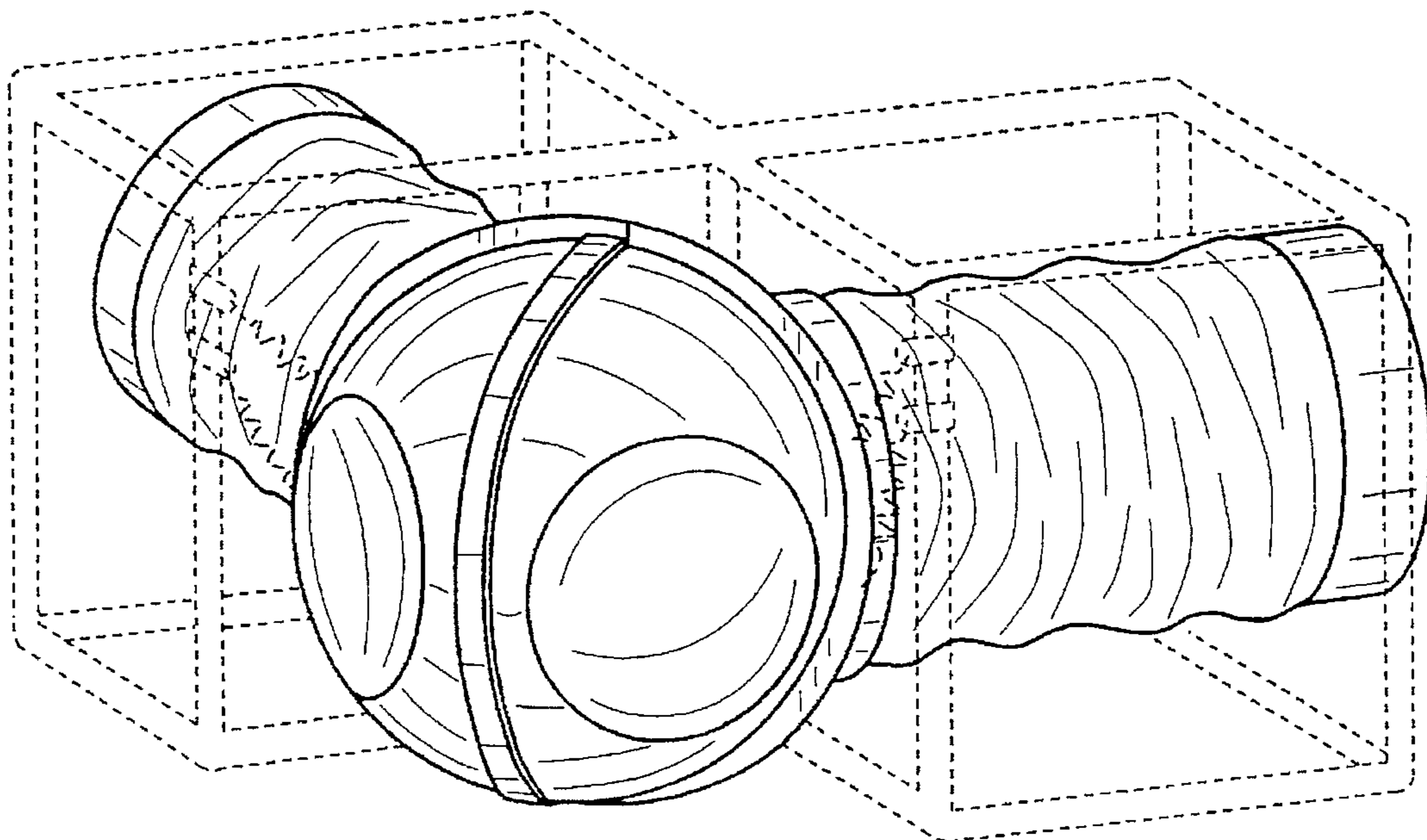
[57] CLAIM

The ornamental design for a recreational equipment device, as shown and described.

DESCRIPTION

FIG. 1 is a front perspective view of our recreational equipment device;
FIG. 2 is a rear perspective view thereof;
FIG. 3 is a top plan view thereof;
FIG. 4 is a bottom plan view thereof;
FIG. 5 is a left end elevational view thereof;
FIG. 6 is a left front side elevational view thereof;
FIG. 7 is a right front side elevational view thereof; and,
FIG. 8 is a right end elevational view thereof.
The broken line showing in FIGS. 1 and 2 is for illustrative purposes only and forms no part of the claimed design.

1 Claim, 3 Drawing Sheets



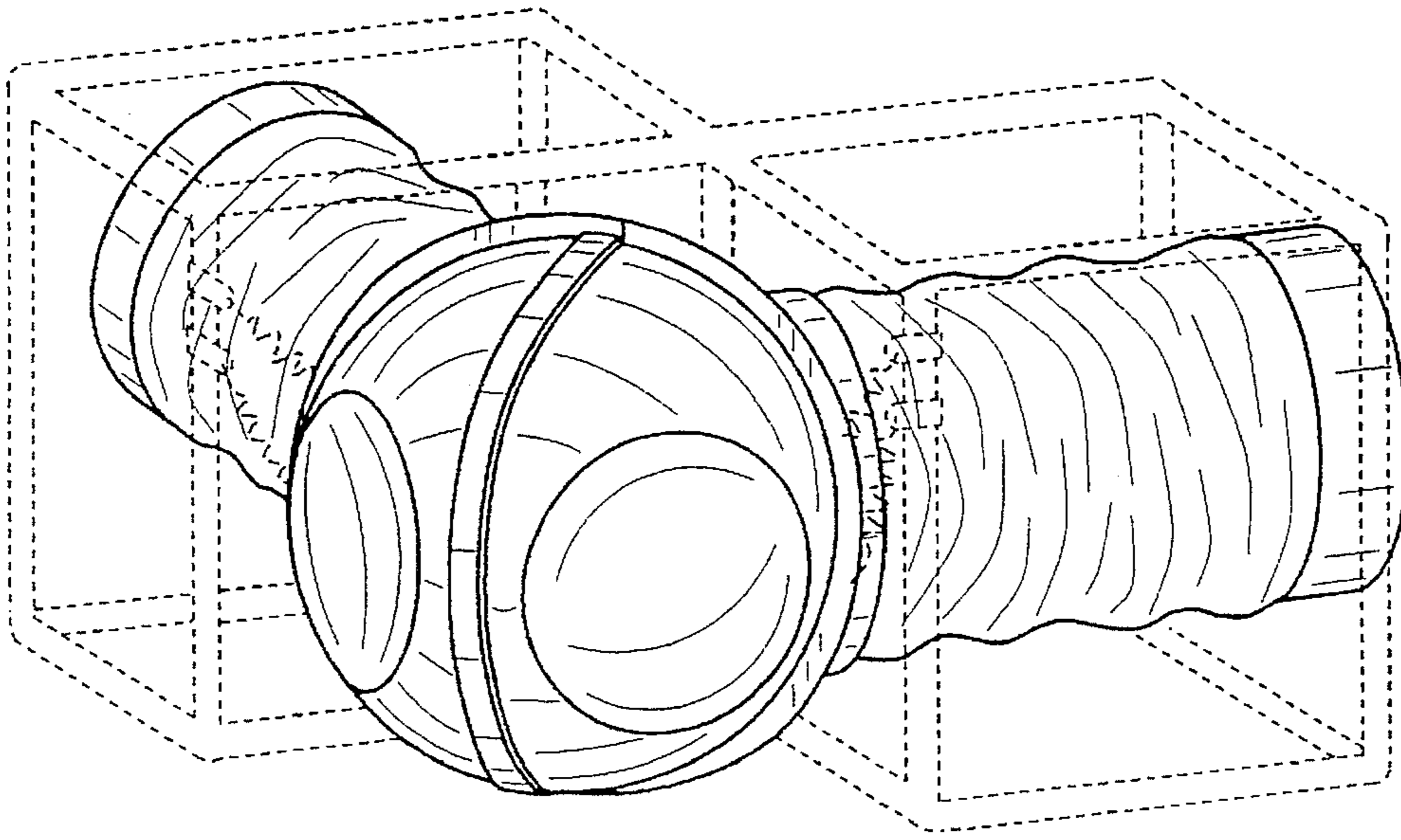


FIG. 1

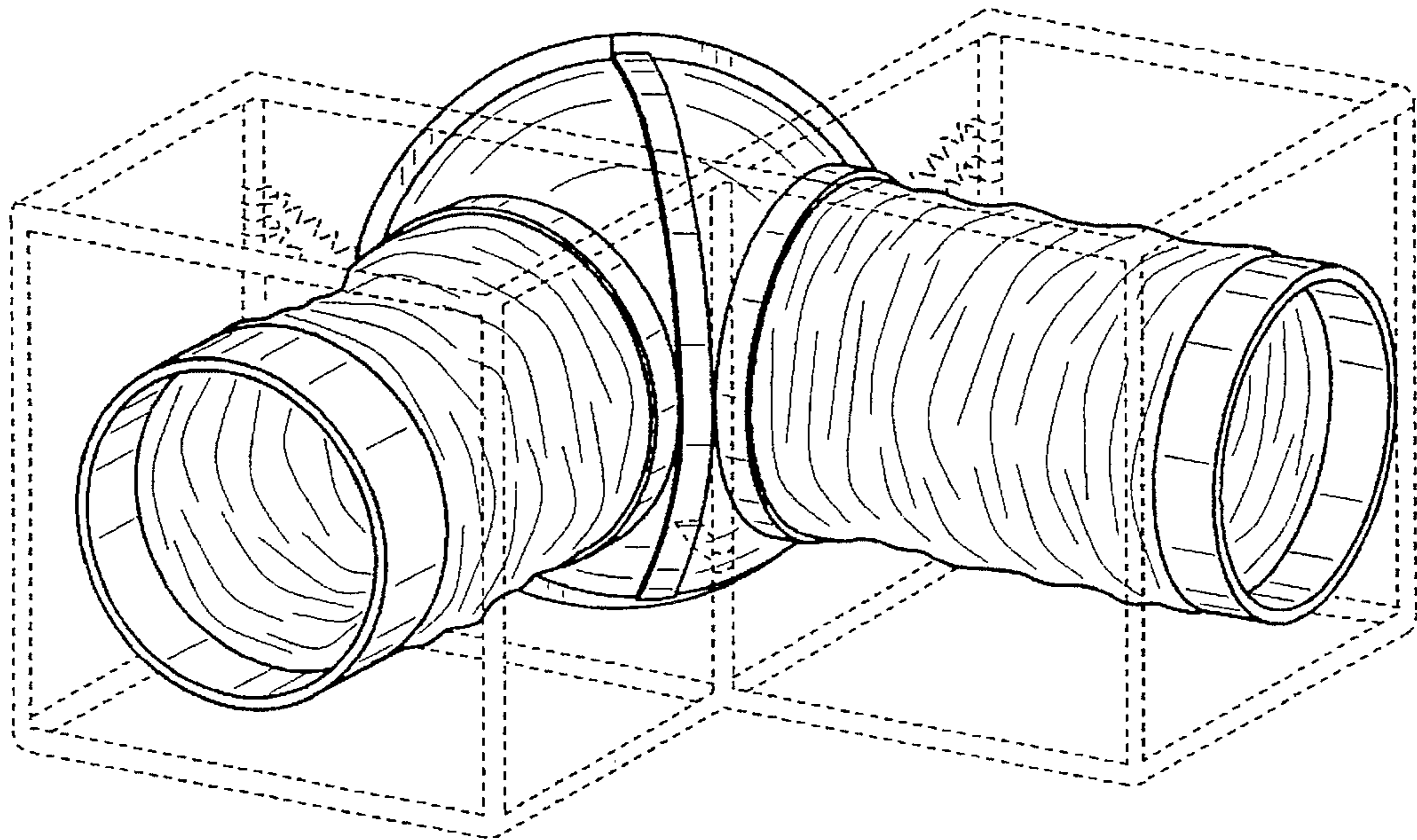


FIG. 2

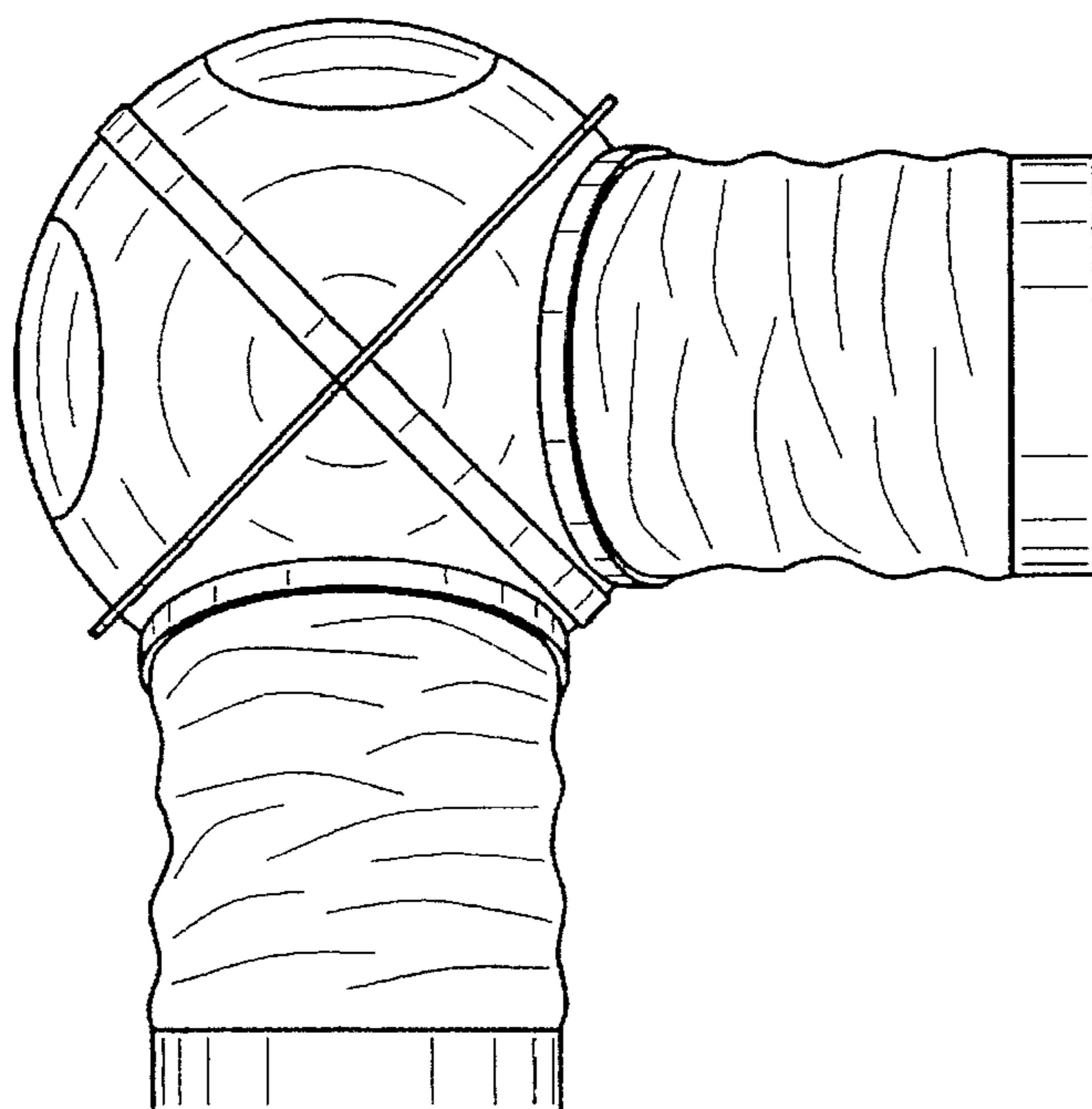


FIG. 3

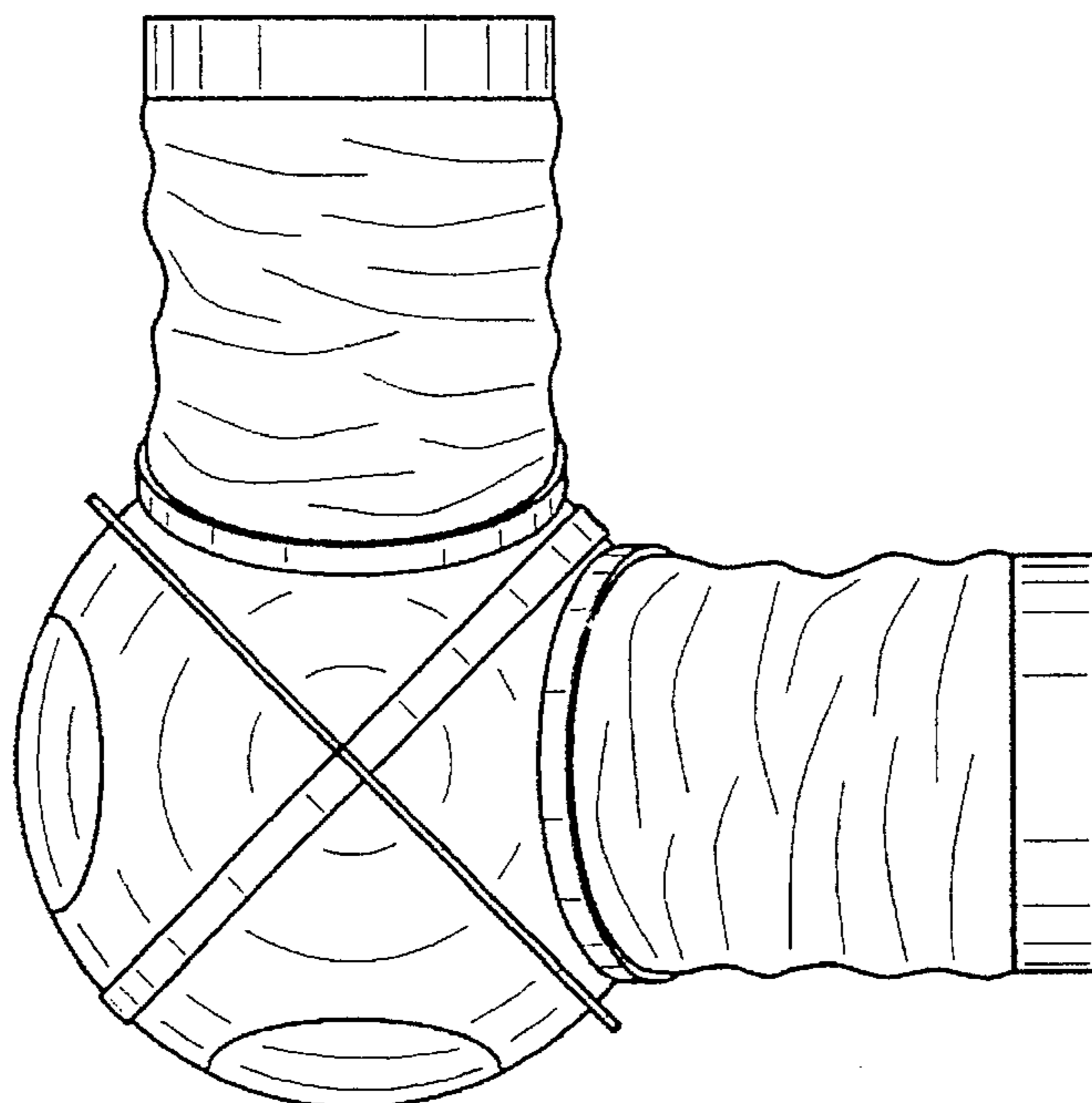


FIG. 4

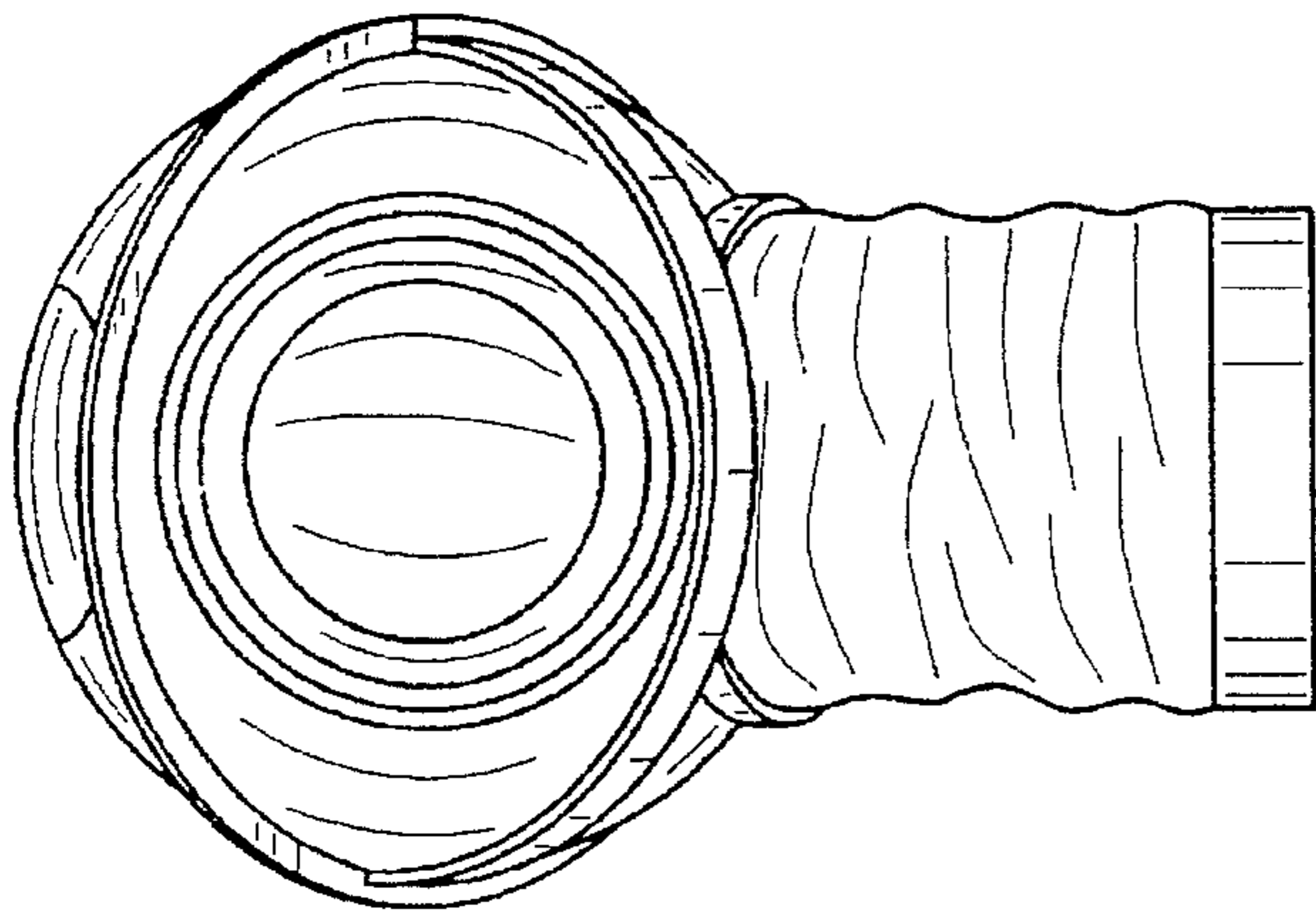


FIG. 5

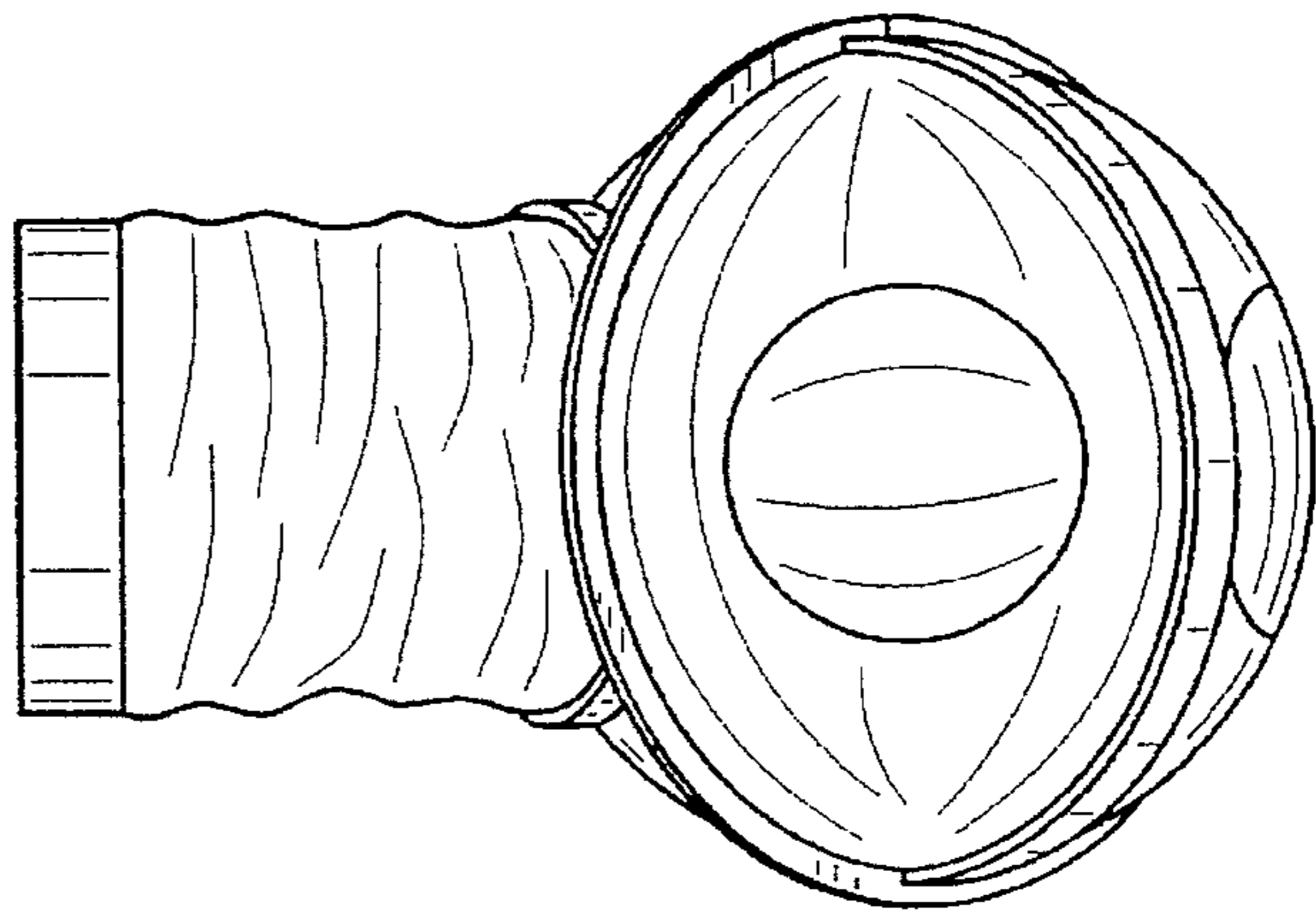


FIG. 6

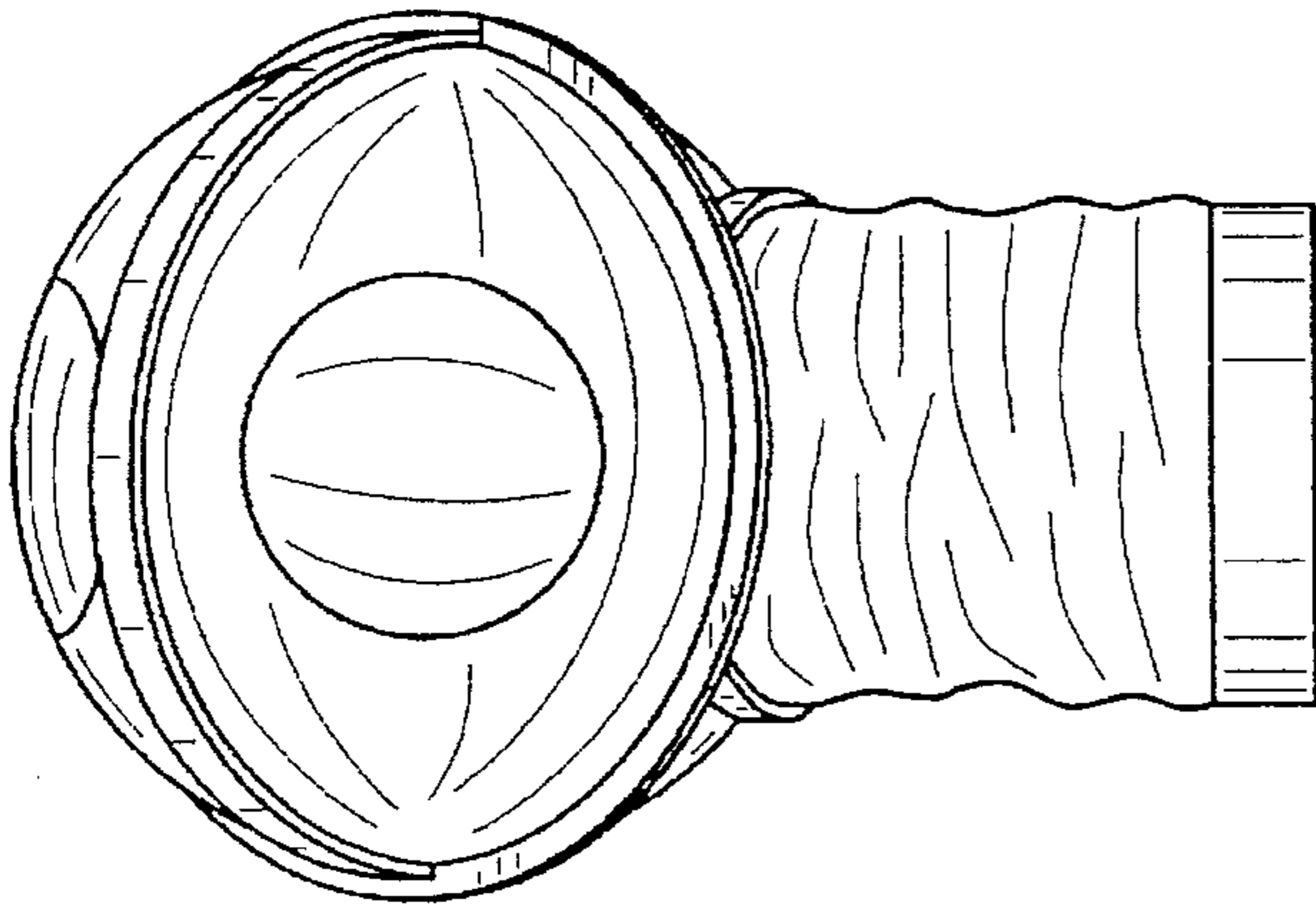


FIG. 7

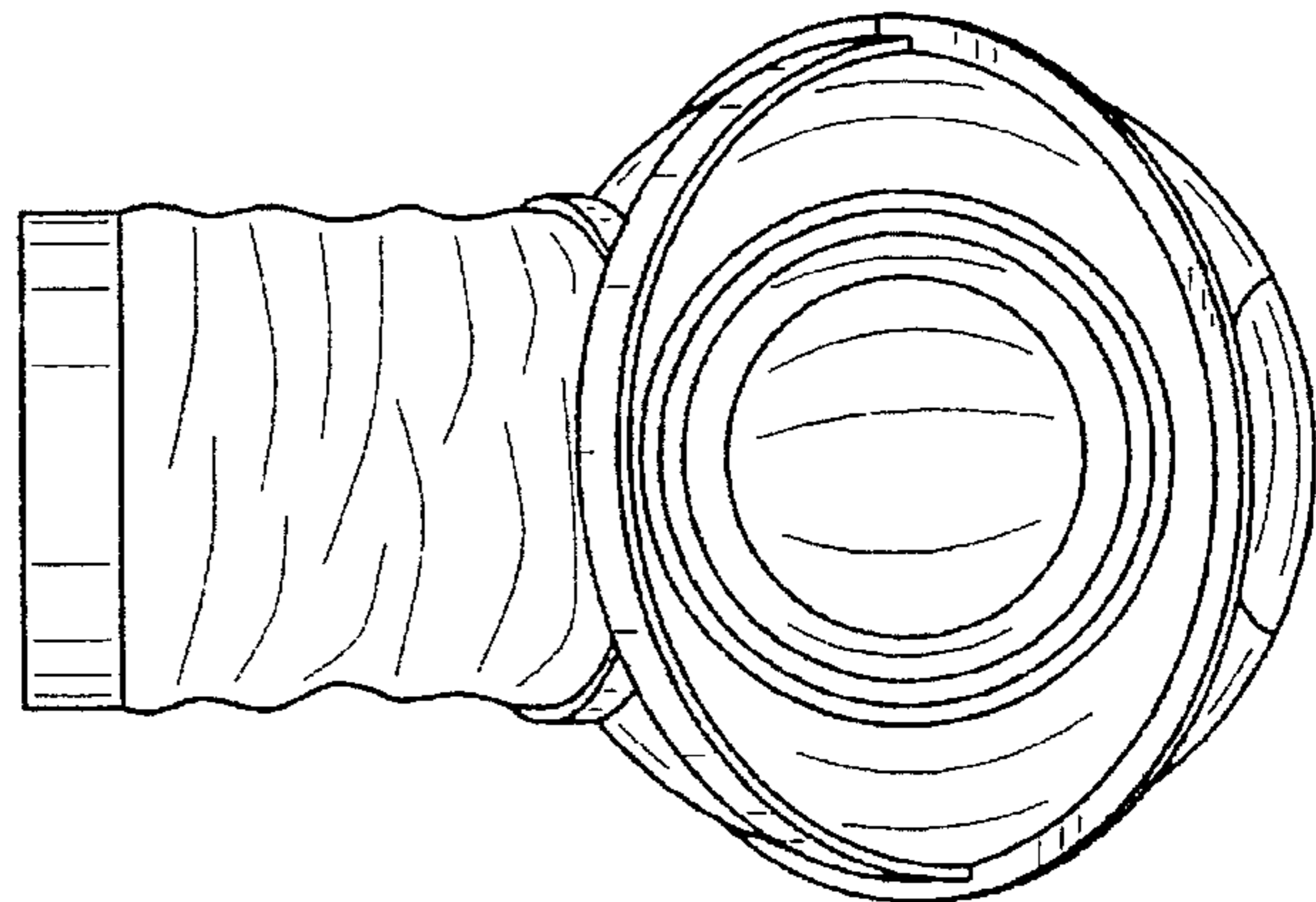


FIG. 8