



US00D381385S

United States Patent [19]
Shinohara et al.

[11] **Patent Number: Des. 381,385**

[45] **Date of Patent: **Jul. 22, 1997**

[54] **GOLF CLUB HEAD**

5,407,202 4/1995 Igarashi 473/346 X

[75] Inventors: **Hilonori Shinohara; Tadahiko Yoshioka**, both of Kobe, Japan; **Jeffrey D. Sheets**, San Marcos, Calif.

FOREIGN PATENT DOCUMENTS

940484 9/1994 Sweden .

[73] Assignee: **Founders Club Golf Company**, Vista, Calif.

OTHER PUBLICATIONS

Golf Day; back cover; MacGregor VIP iron, middle left of page Mar. 1996.

[**] Term: **14 Years**

Primary Examiner—Philip S. Hyder
Assistant Examiner—Mitchell I. Siegel
Attorney, Agent, or Firm—Brown, Martin, Haller & McClain

[21] Appl. No.: **43,155**

[22] Filed: **Aug. 28, 1995**

[51] **LOC (6) Cl.** **21-02**

[52] **U.S. Cl.** **D21/220**

[58] **Field of Search** D21/220; 473/350,
473/343-349

[57] **CLAIM**

The ornamental design for a golf club head, as shown.

[56] **References Cited**

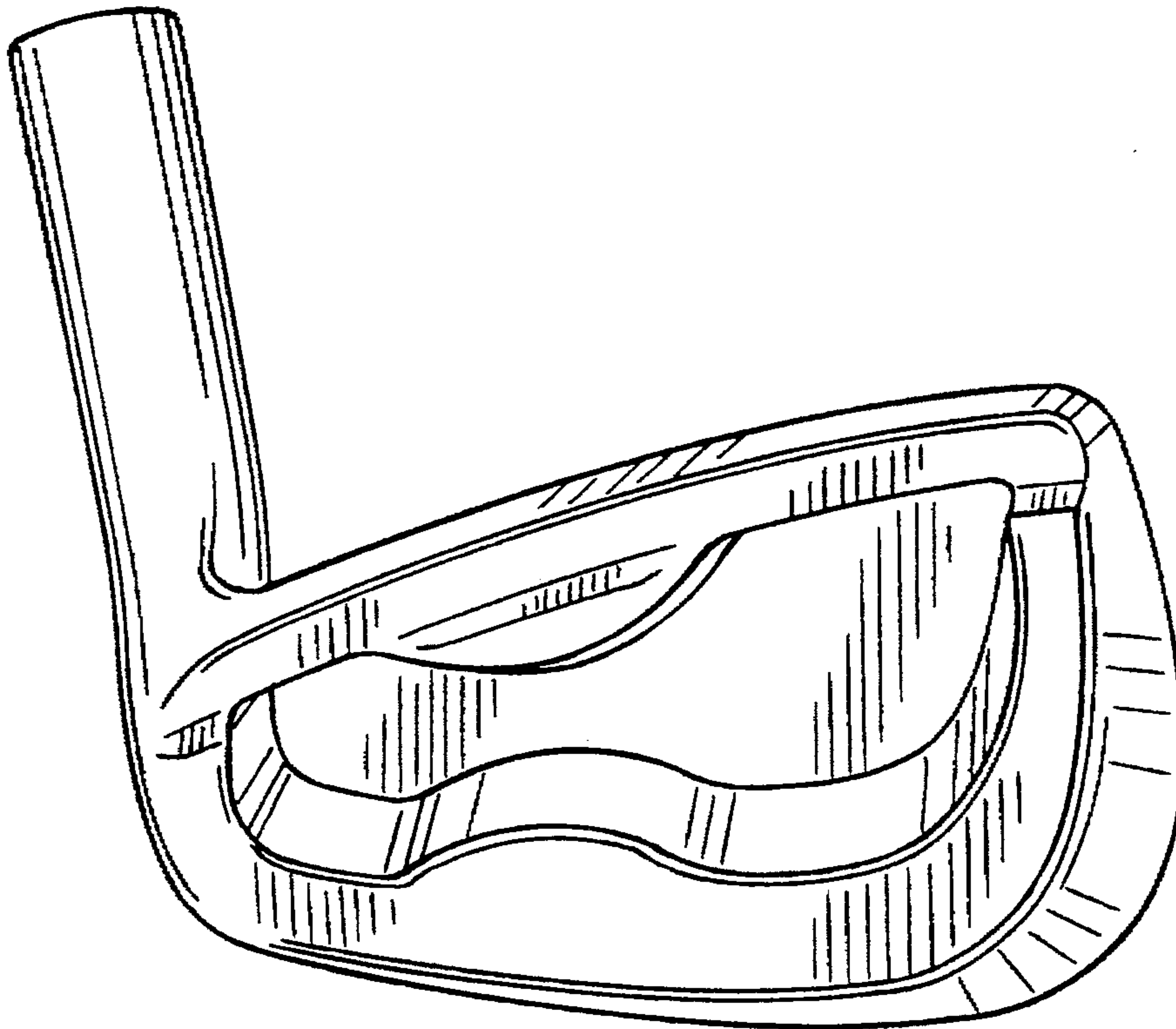
DESCRIPTION

U.S. PATENT DOCUMENTS

D. 179,817 3/1957 Penna D21/220
D. 225,123 11/1972 Viero et al. D21/220
D. 364,435 11/1995 Wood D21/220
5,048,834 9/1991 Gorman 473/350
5,048,835 9/1991 Gorman 473/350

FIG. 1 is a rear perspective view of a golf club head showing my new design;
FIG. 2 is a front elevational view thereof;
FIG. 3 is a rear elevational view thereof;
FIG. 4 is an end elevational view thereof;
FIG. 5 is an opposite end elevational view thereof; and,
FIG. 6 is a bottom plan view thereof.

1 Claim, 2 Drawing Sheets



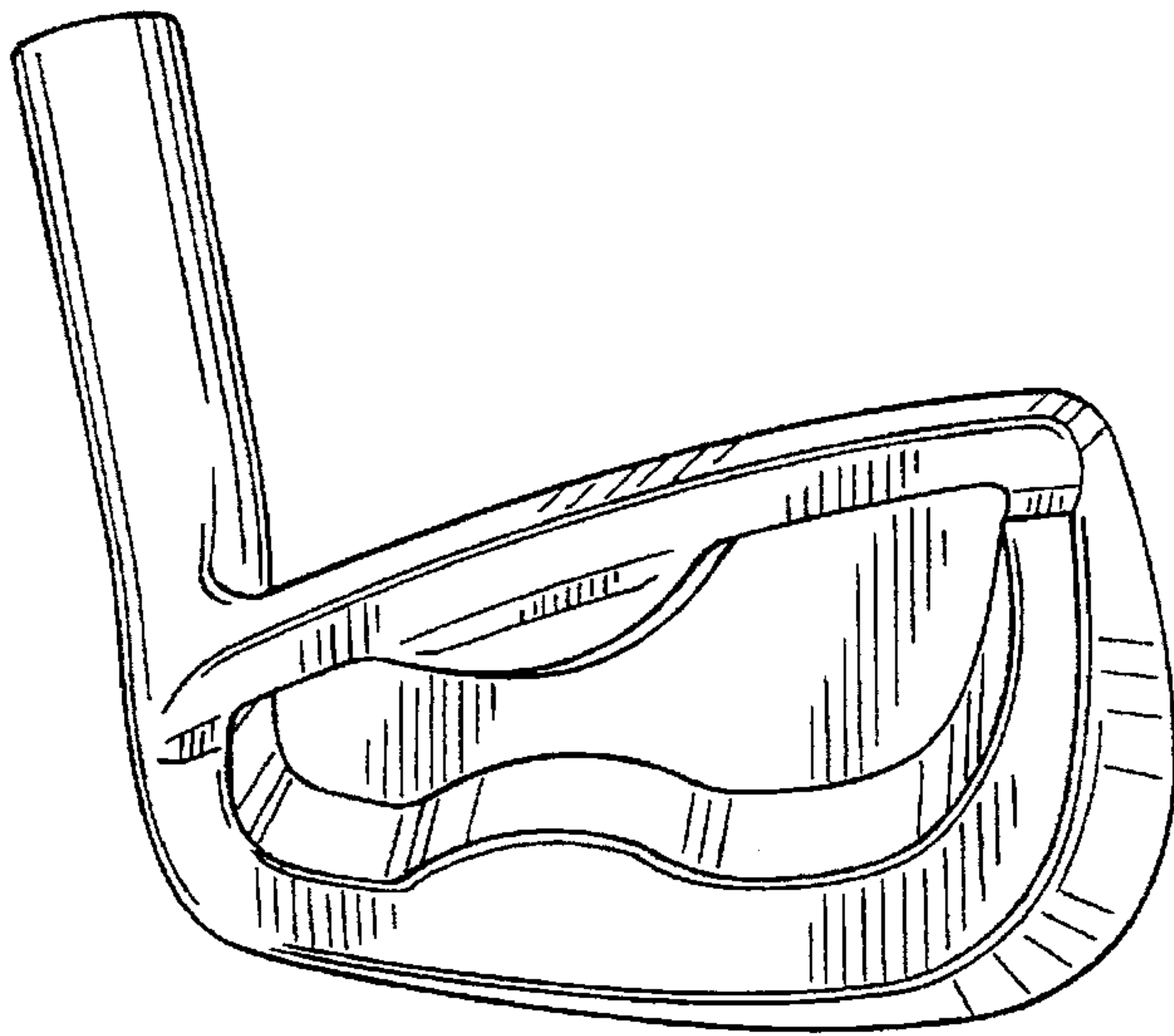


FIG. 1

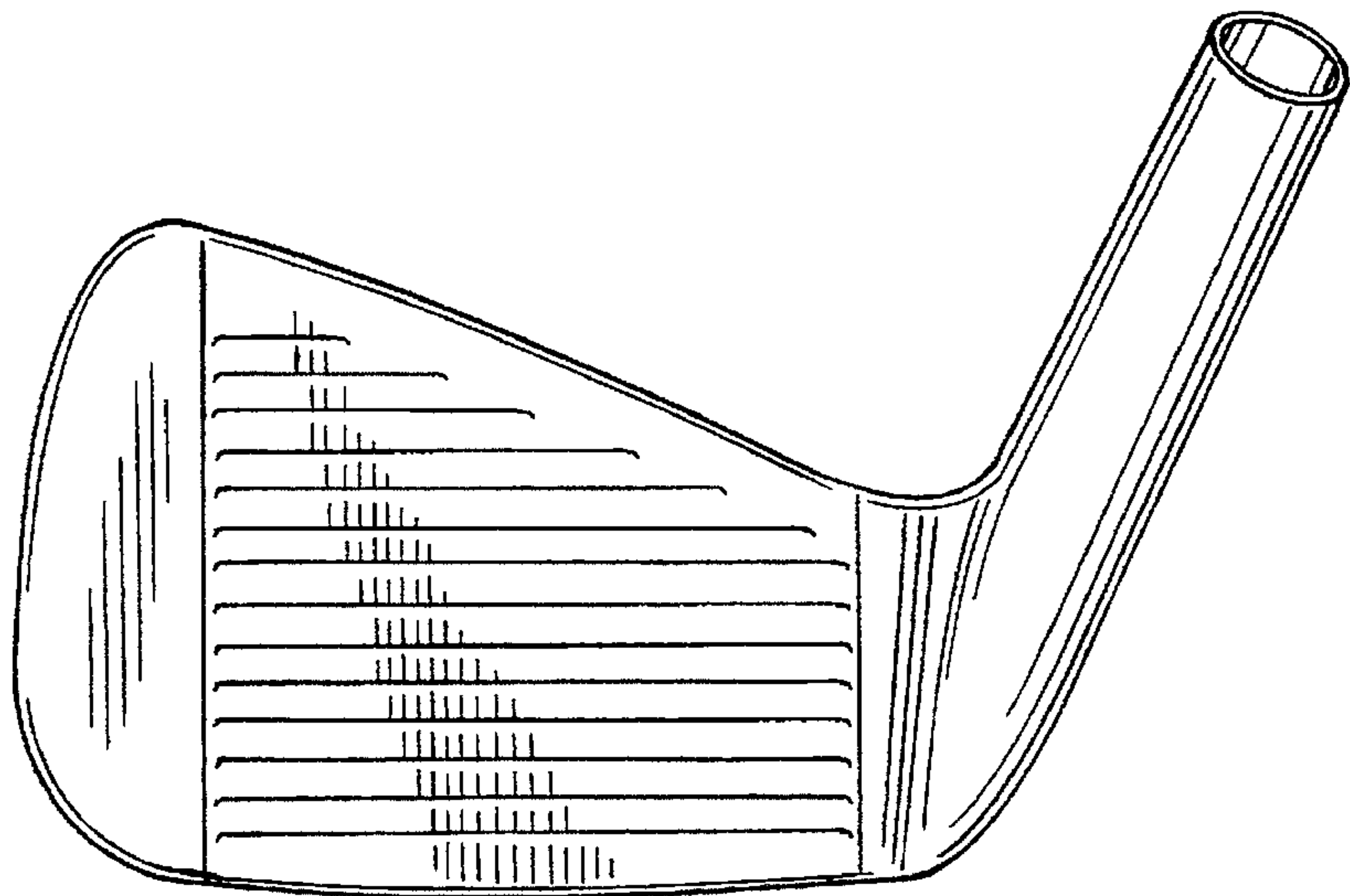


FIG. 2

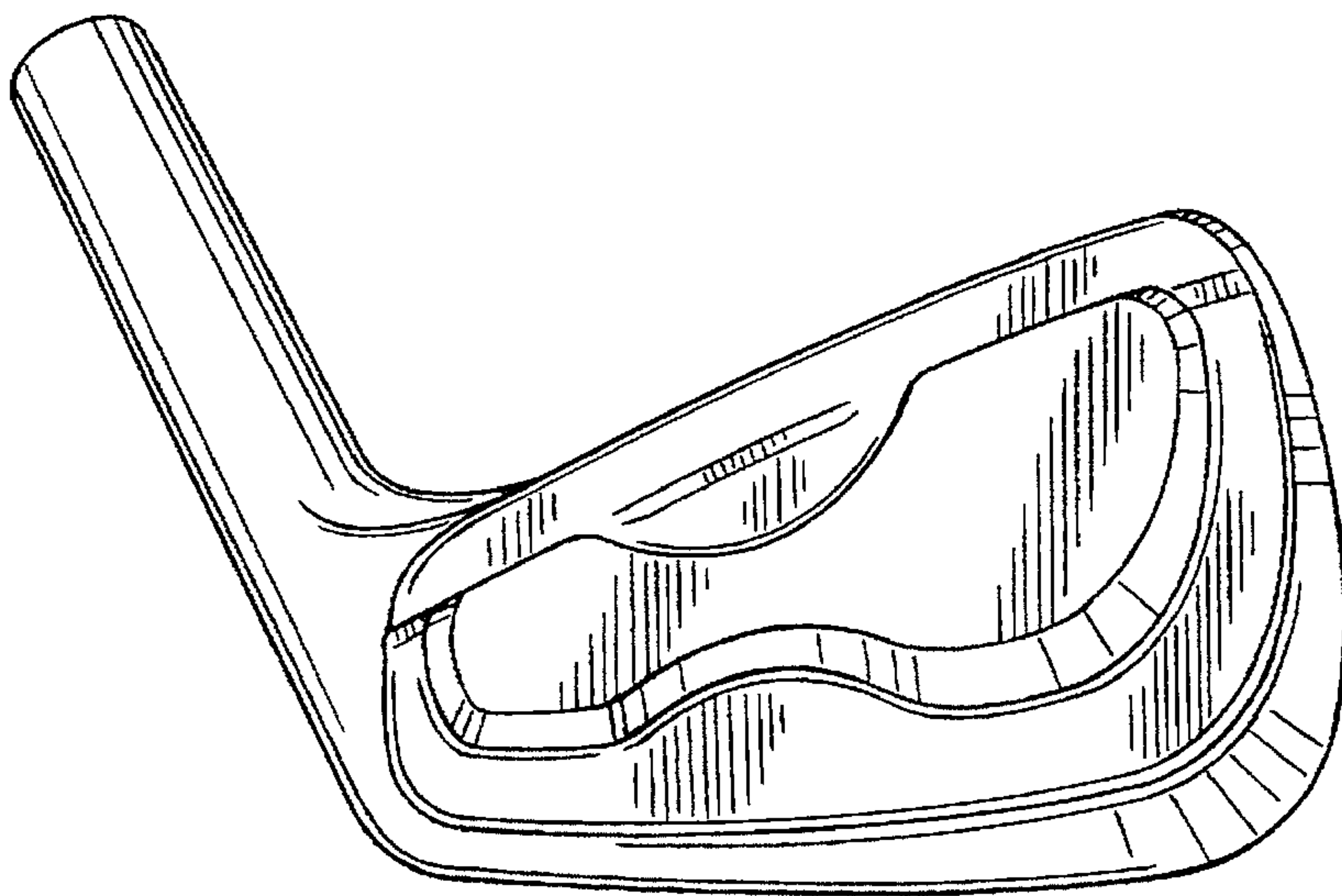


FIG. 3

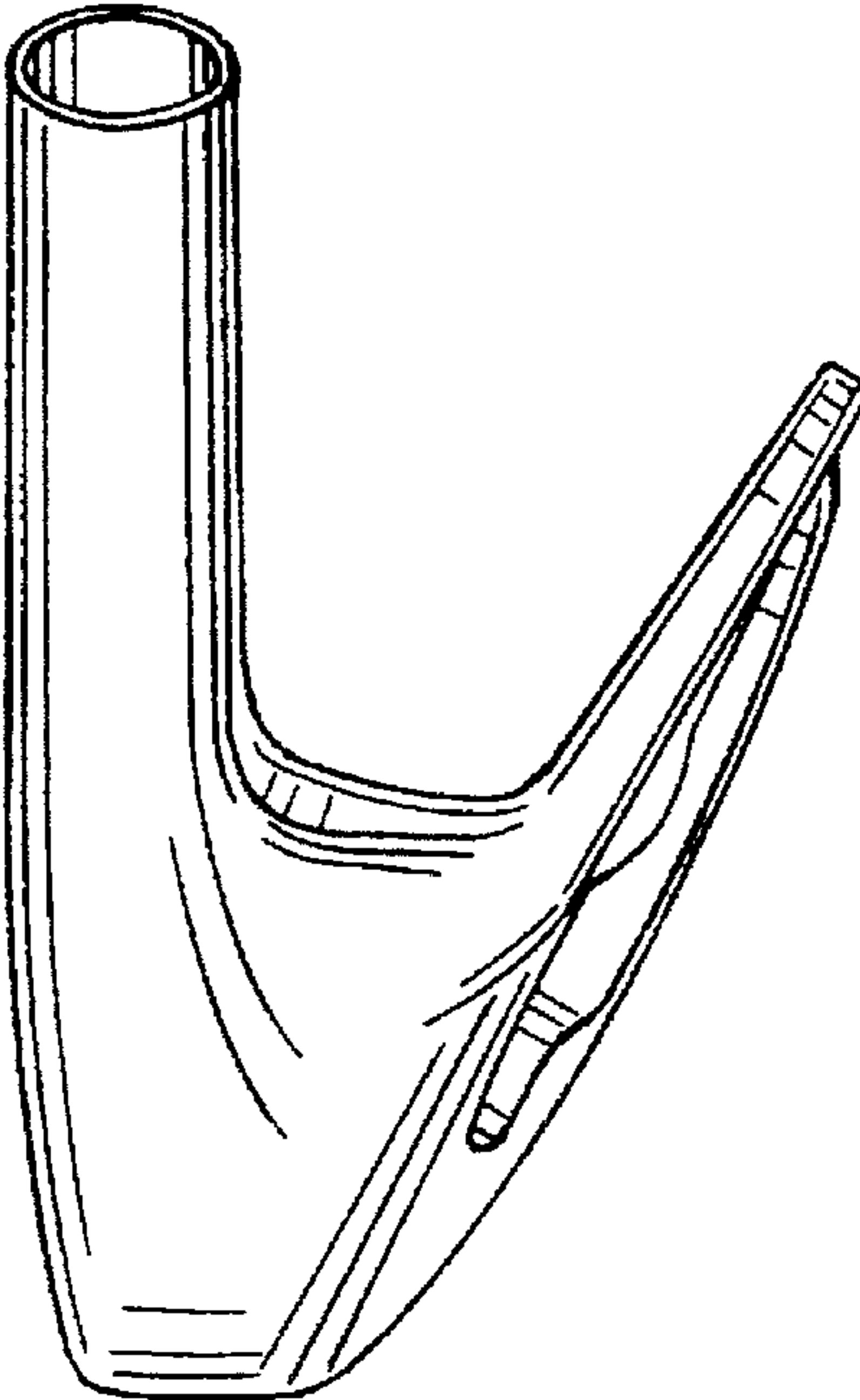


FIG. 4

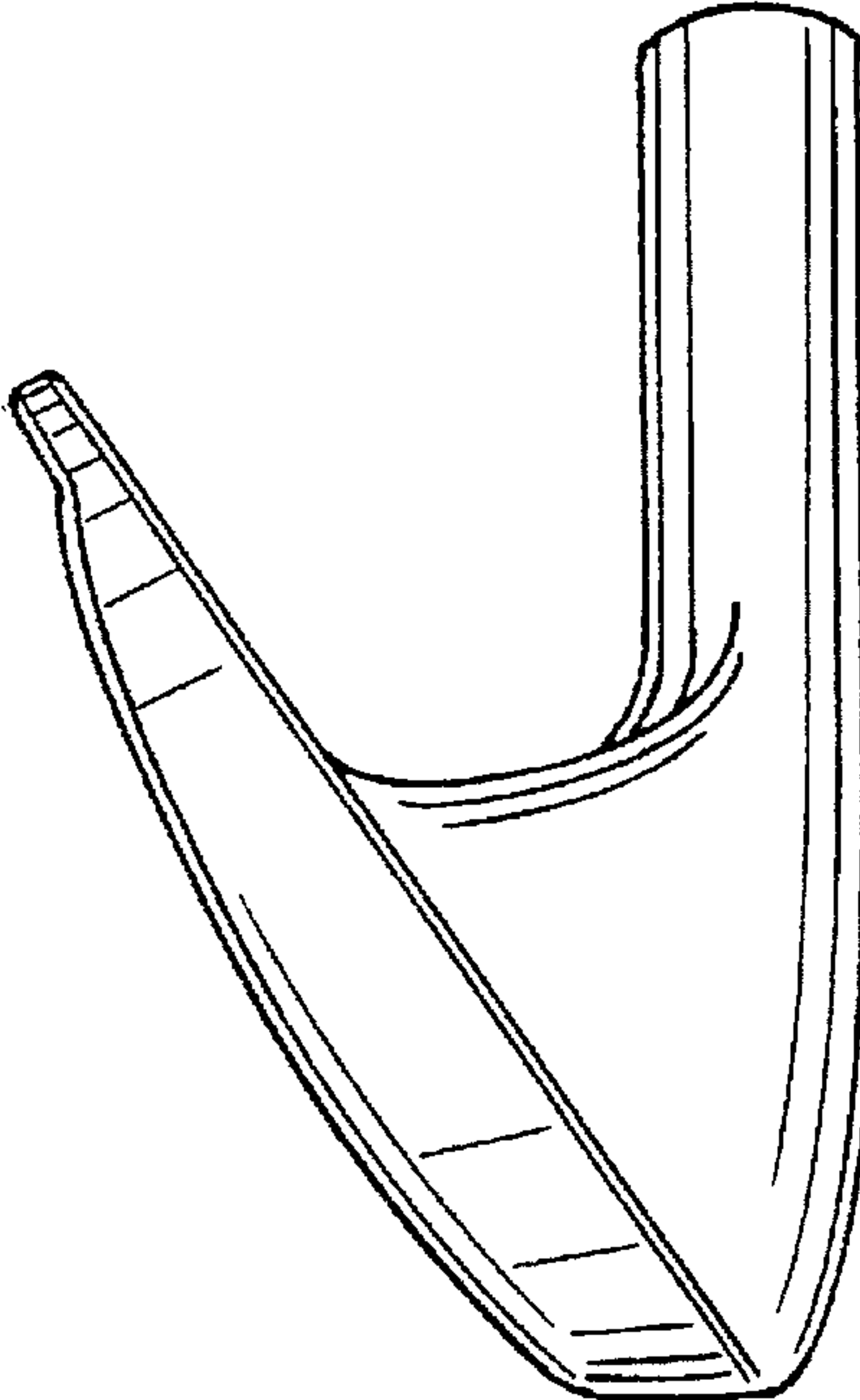


FIG. 5

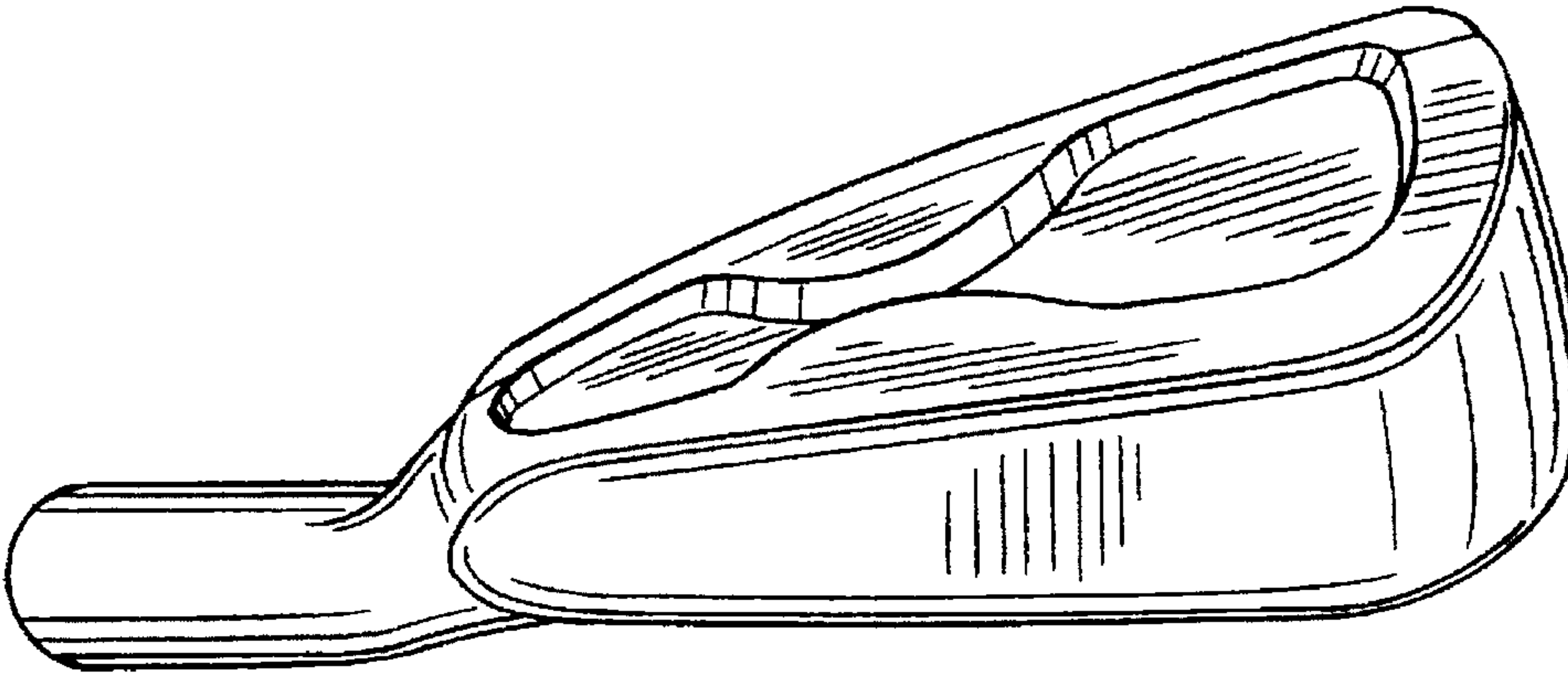


FIG. 6