



US00D381379S

United States Patent [19]

Lee

[11] Patent Number: Des. 381,379

[45] Date of Patent: **Jul. 22, 1997

[54] FOLDABLE EXERCISER HORSE

[76] Inventor: **Kuo-Ron Lee**, No. 61, Mai Jou II Rd., Yi Lan City, Taiwan

[**] Term: **14 Years**

[21] Appl. No.: **50,458**

[22] Filed: **Feb. 20, 1996**

[51] LOC (6) Cl. **21-02**

[52] U.S. Cl. **D21/195**

[58] Field of Search D21/191, 192, D21/193, 194, 195; 482/51, 57, 62, 72, 95, 96, 137

[56] References Cited

U.S. PATENT DOCUMENTS

D. 344,112	2/1994	Smith	D21/195
D. 367,689	3/1996	Wilkinson et al.	D21/195
5,299,997	4/1994	Chen	482/96
5,342,269	8/1994	Huang et al.	482/96
5,366,428	11/1994	Liao	482/72
5,429,568	7/1995	Chen	482/96
5,458,553	10/1995	Wu	482/72
5,478,298	12/1995	Chen	482/95

OTHER PUBLICATIONS

Service Merchandise Catalog, 1996, pp. 502 & 503, Voit Gravity Rider & Weslo Cardio Glide.

Primary Examiner—Philip S. Hyder
Attorney, Agent, or Firm—Varndell Legal Group

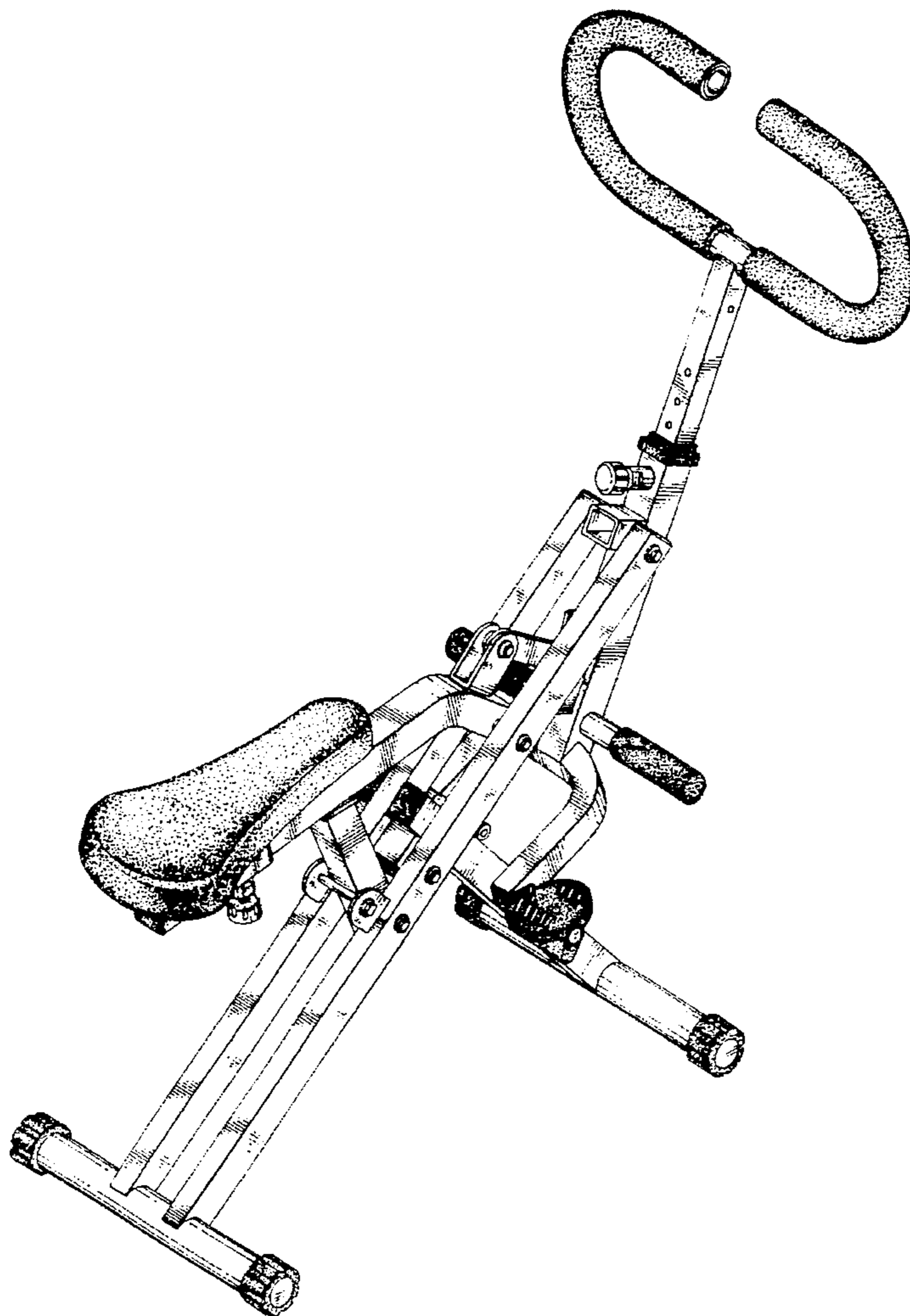
[57] CLAIM

The ornamental design for a foldable exerciser horse, as shown and described.

DESCRIPTION

FIG. 1 is a perspective view of a foldable exerciser horse showing my new design;
FIG. 2 is a front elevational view thereof;
FIG. 3 is a left side elevational view thereof;
FIG. 4 is a right side elevational view thereof;
FIG. 5 is a top plan view thereof;
FIG. 6 is a bottom plan view thereof;
FIG. 7 is a rear elevational view thereof; and,
FIG. 8 illustrates the foldable status thereof.

1 Claim, 7 Drawing Sheets



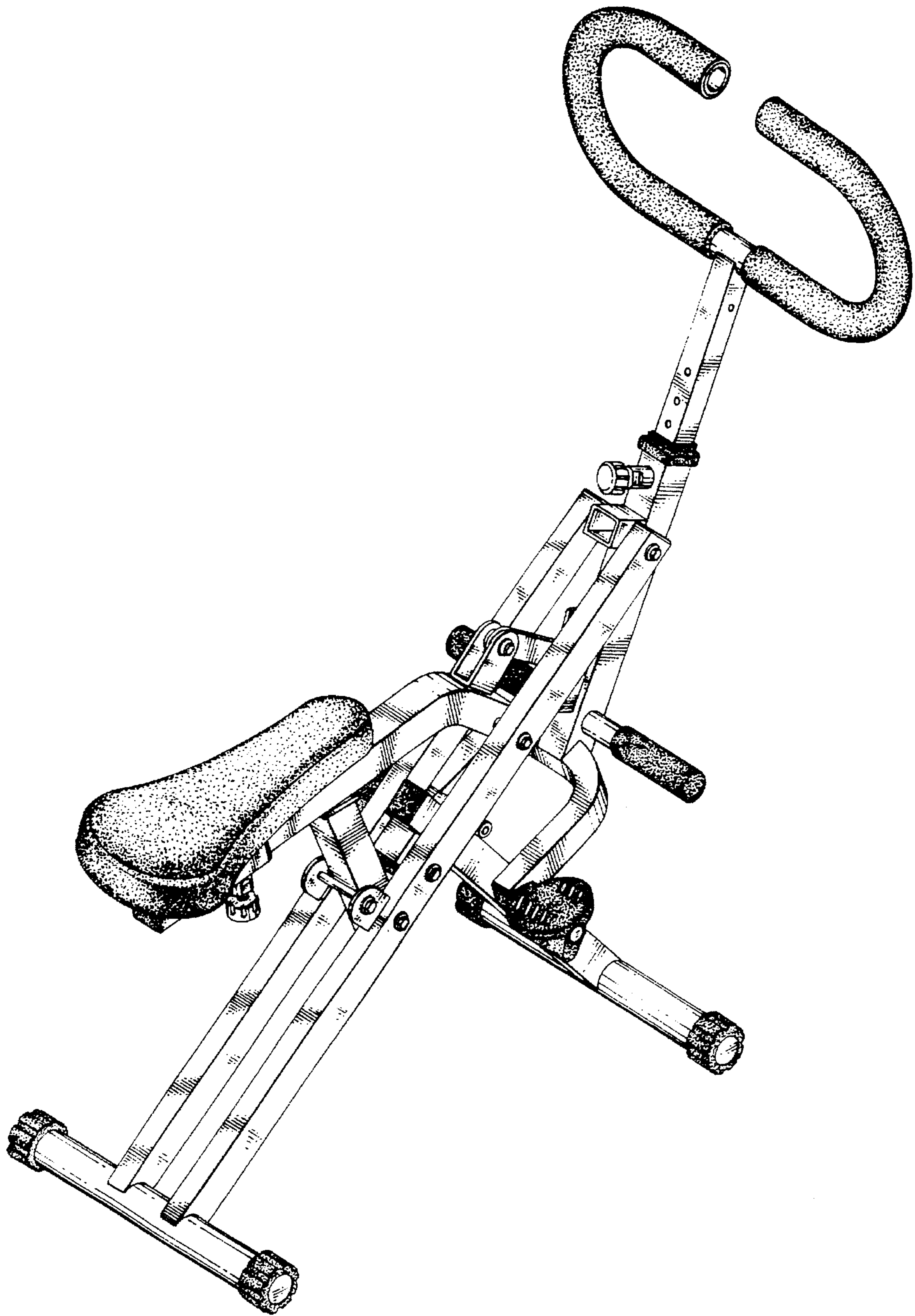


Fig . 1

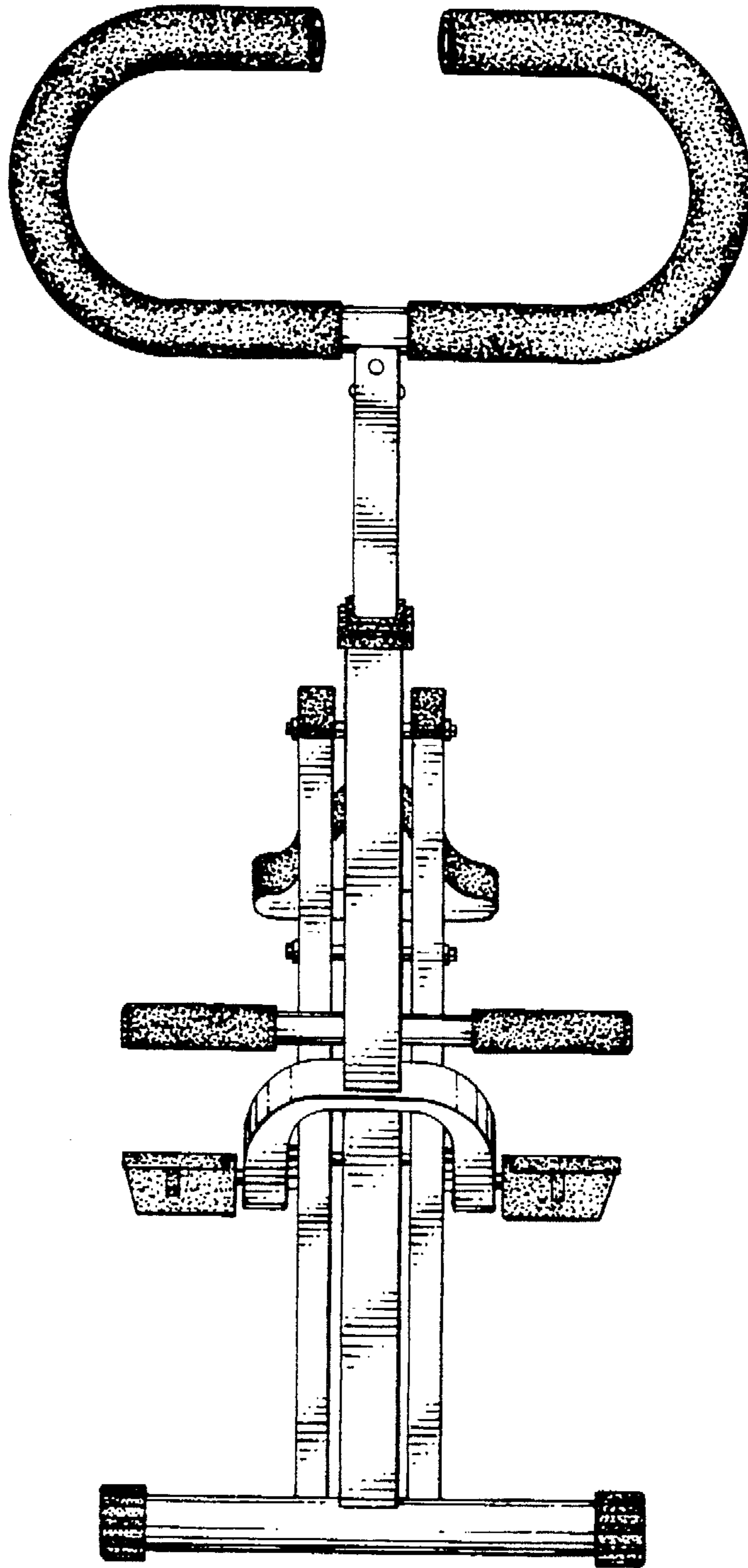


Fig . 2

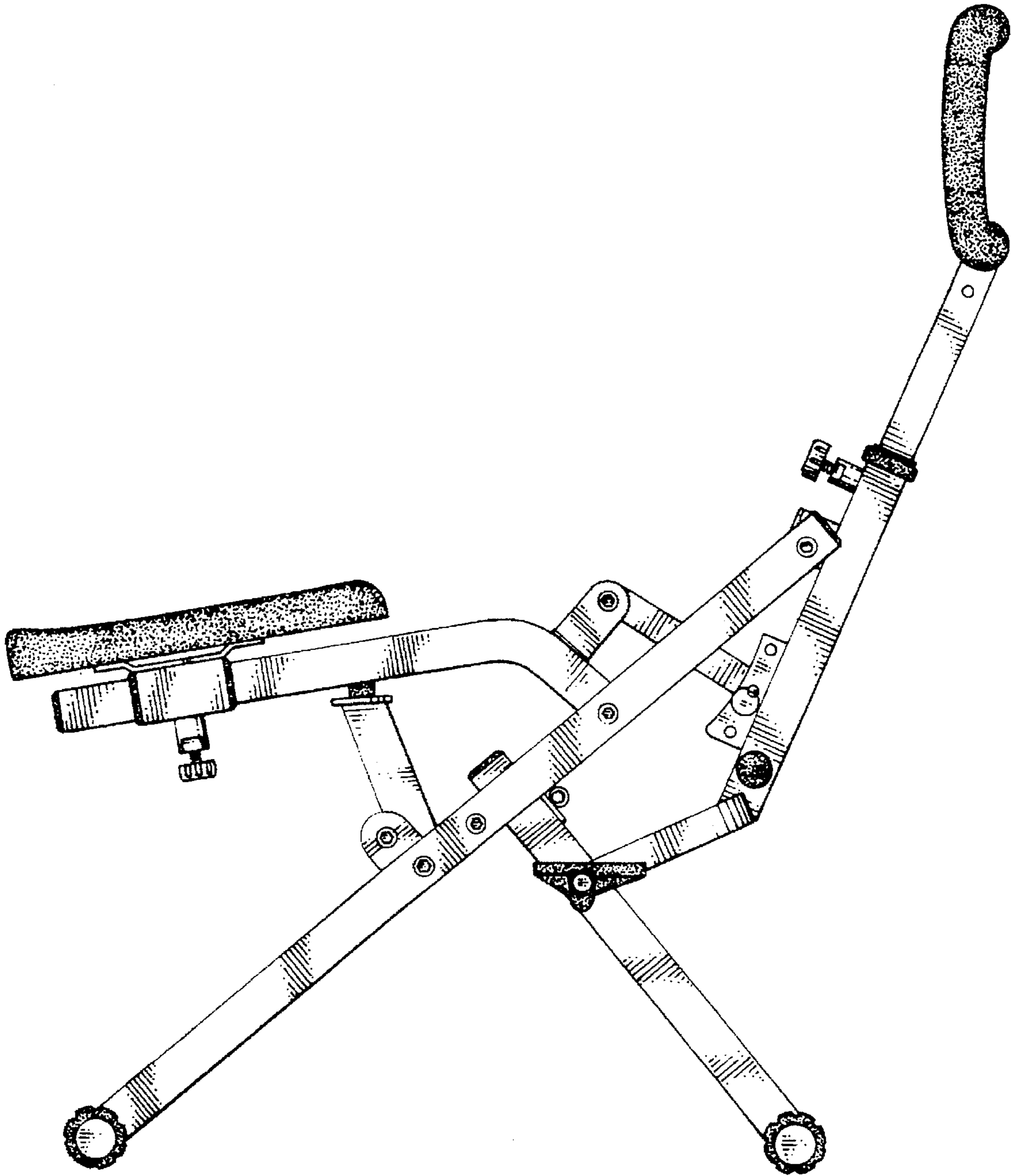


Fig . 3

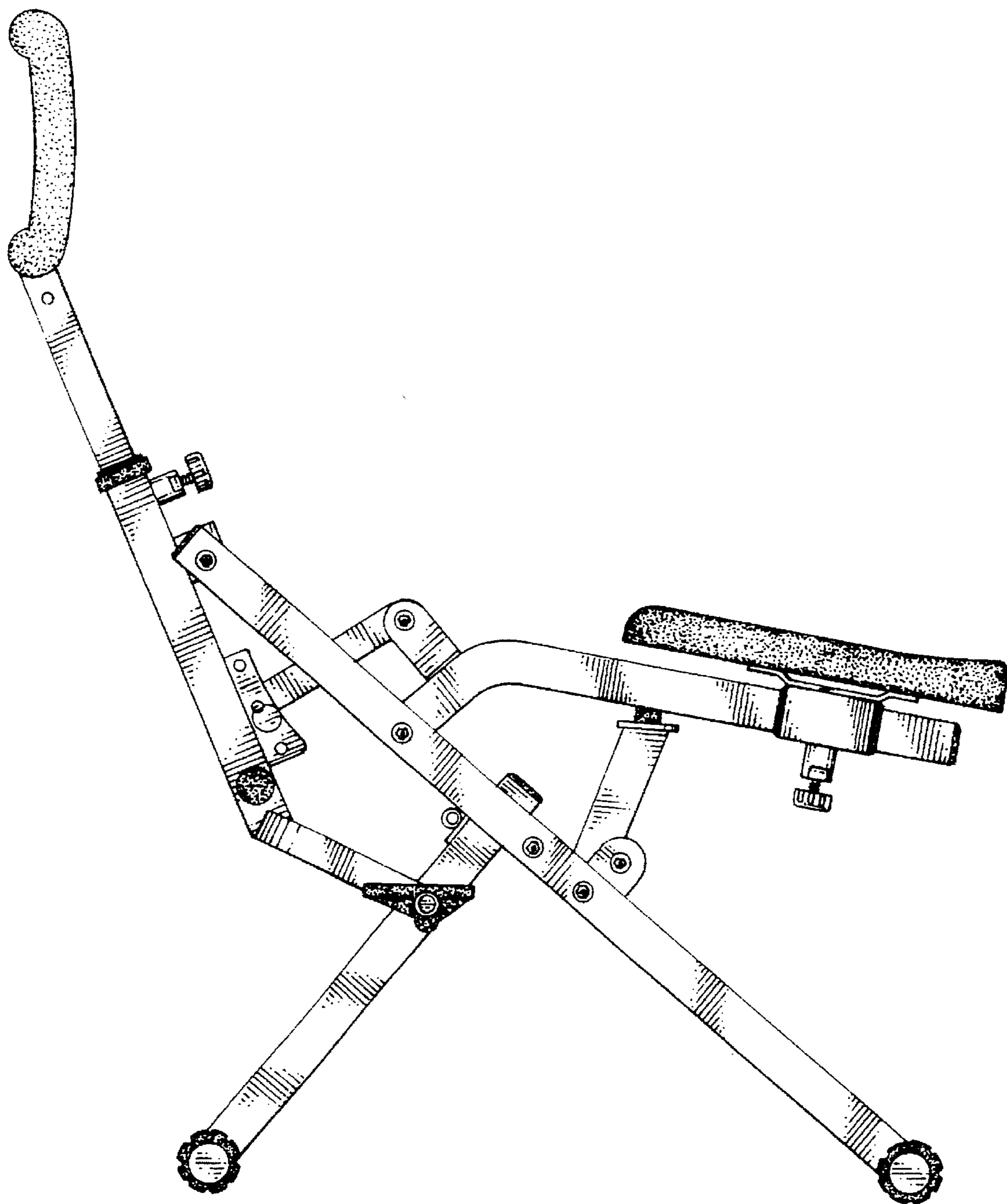


Fig . 4

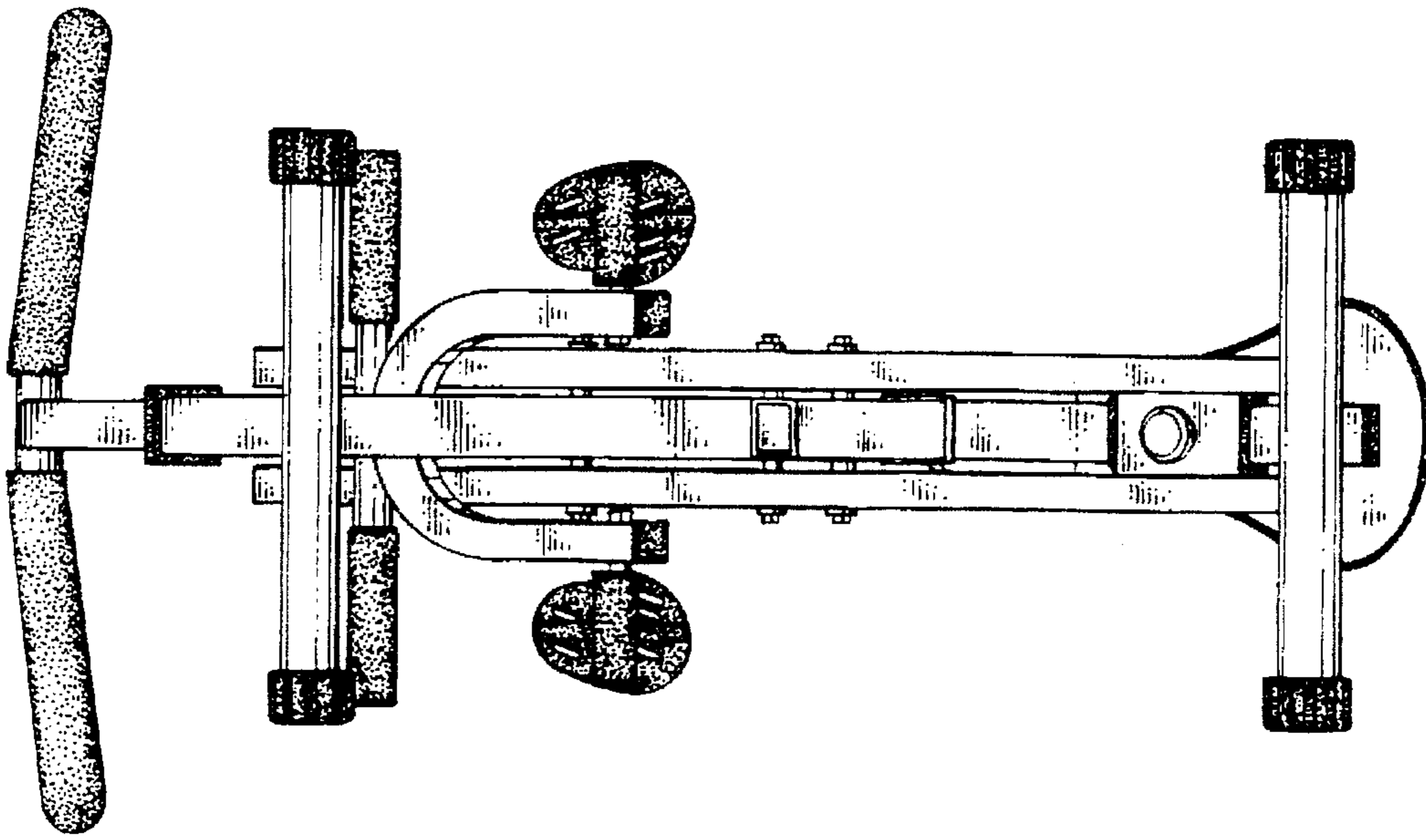


Fig. 6

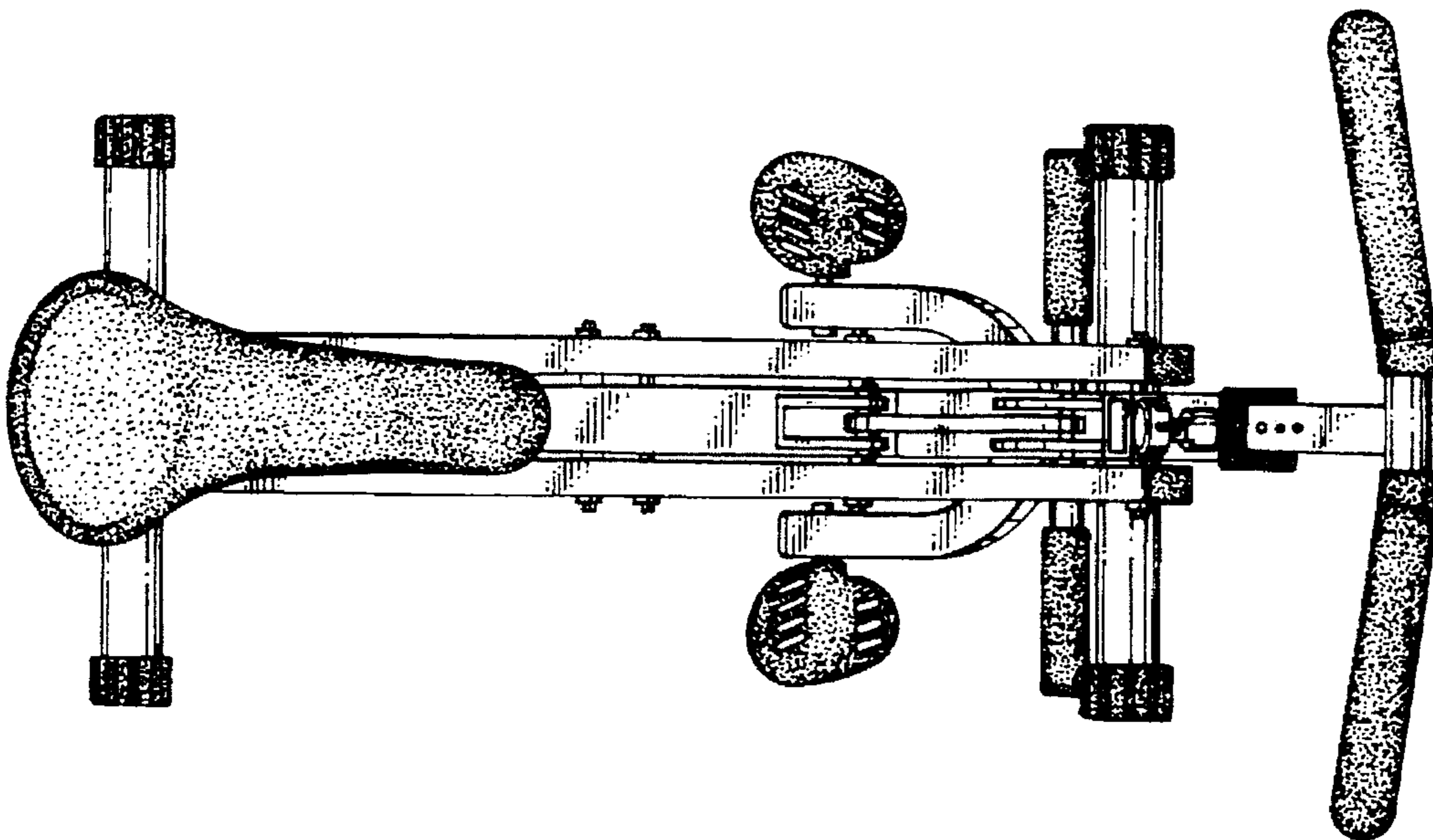


Fig. 5

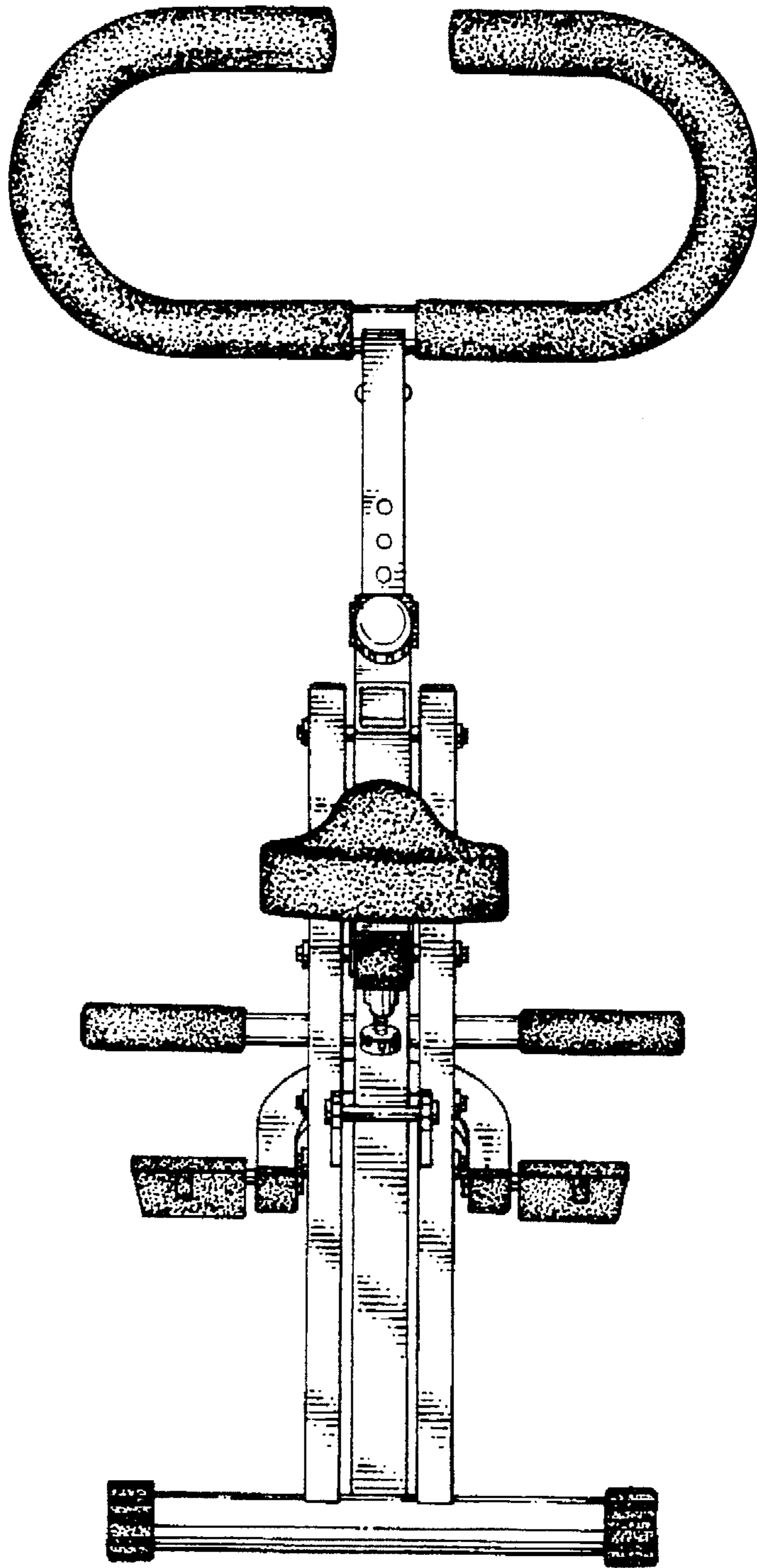


Fig. 7

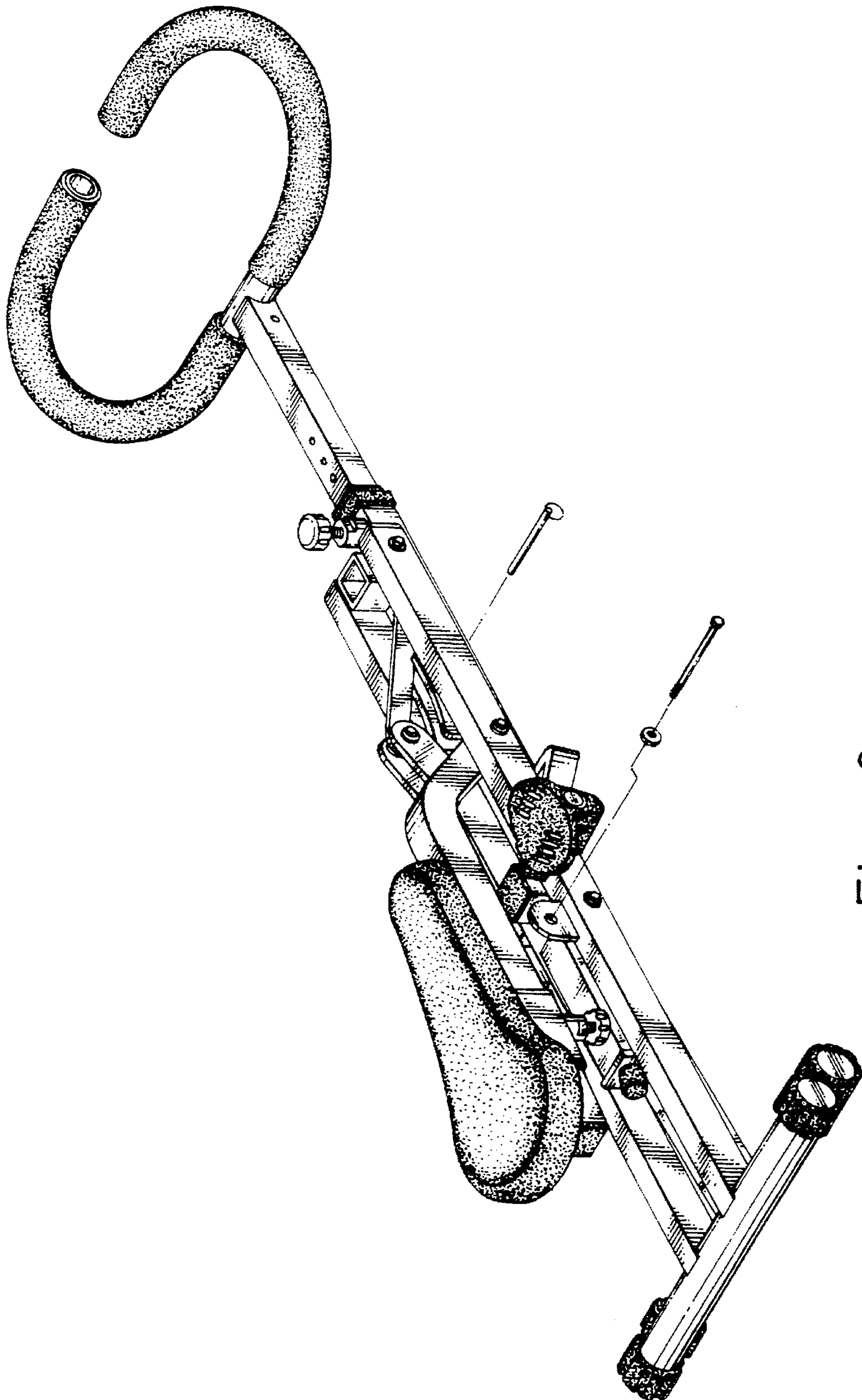


Fig . 8