



US00D381378S

United States Patent [19]

Colonello et al.

[11] Patent Number: **Des. 381,378**

[45] Date of Patent: ****Jul. 22, 1997**

[54] **ABDOMINAL EXERCISE DEVICE**

[75] Inventors: **Dennis J. Colonello**, Studio City, Calif.; **Robert R. Schnabel, Jr.**, Navarre, Ohio; **John R. Collis**, Minneapolis, Minn.

[73] Assignee: **Fitness Quest Inc.**, Canton, Ohio

[**] Term: **14 Years**

[21] Appl. No.: **50,748**

[22] Filed: **Feb. 26, 1996**

[51] LOC (6) Cl. **21-02**

[52] U.S. Cl. **D21/191**

[58] Field of Search D21/191, 195, D21/198, 193; 482/140, 141, 142, 132, 131, 133, 144

[56] **References Cited**

U.S. PATENT DOCUMENTS

1,911,572	5/1933	Hulander et al. .	
4,183,520	1/1980	Chase	272/130
4,241,949	12/1980	Parker	297/3
4,314,697	2/1982	Brumfield et al.	272/136

4,405,128	9/1983	McLaughlin et al.	272/117
4,489,936	12/1984	Dal Monte	272/120
4,752,067	6/1988	Colonello	482/140
4,902,003	2/1990	Buoni	482/140
5,224,914	7/1993	Friedman	482/140
5,346,447	9/1994	Stearns	482/96
5,368,537	11/1994	Felice	482/140
5,492,520	2/1996	Brown	482/140

Primary Examiner—Philip S. Hyder
Attorney, Agent, or Firm—Sand & Sebolt

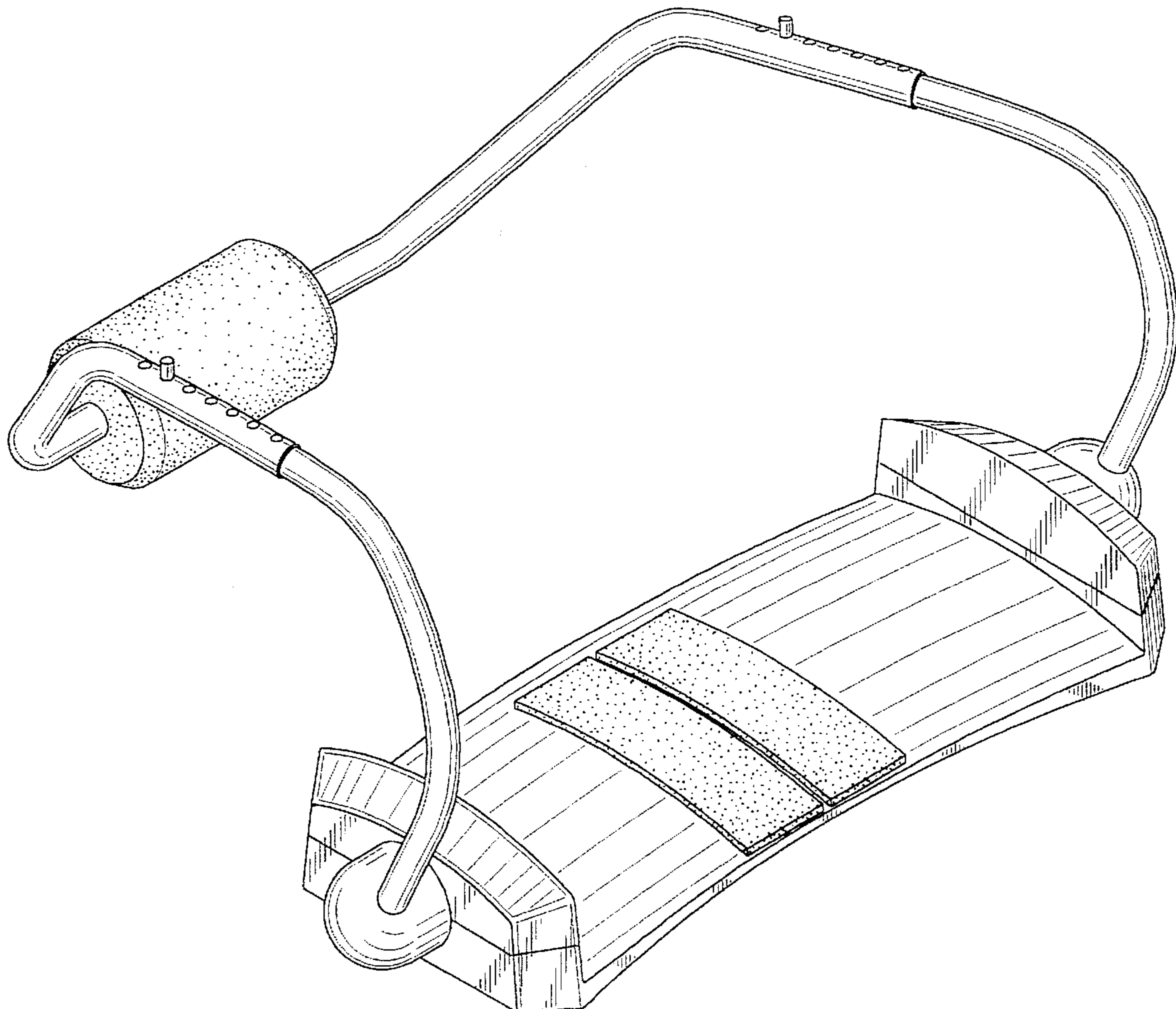
[57] **CLAIM**

The ornamental design for an abdominal exercise device, as shown and described.

DESCRIPTION

FIG. 1 is a top perspective view of an abdominal exercise device showing our new design; FIG. 2 is a top plan view of the abdominal exercise device; FIG. 3 is a front elevational view of FIG. 2; FIG. 4 is a rear elevational view of FIG. 2; FIG. 5 is a bottom plan view of FIG. 2; and, FIG. 6 is a left side elevational view of FIG. 2, the right side being a mirror image thereof.

1 Claim, 4 Drawing Sheets



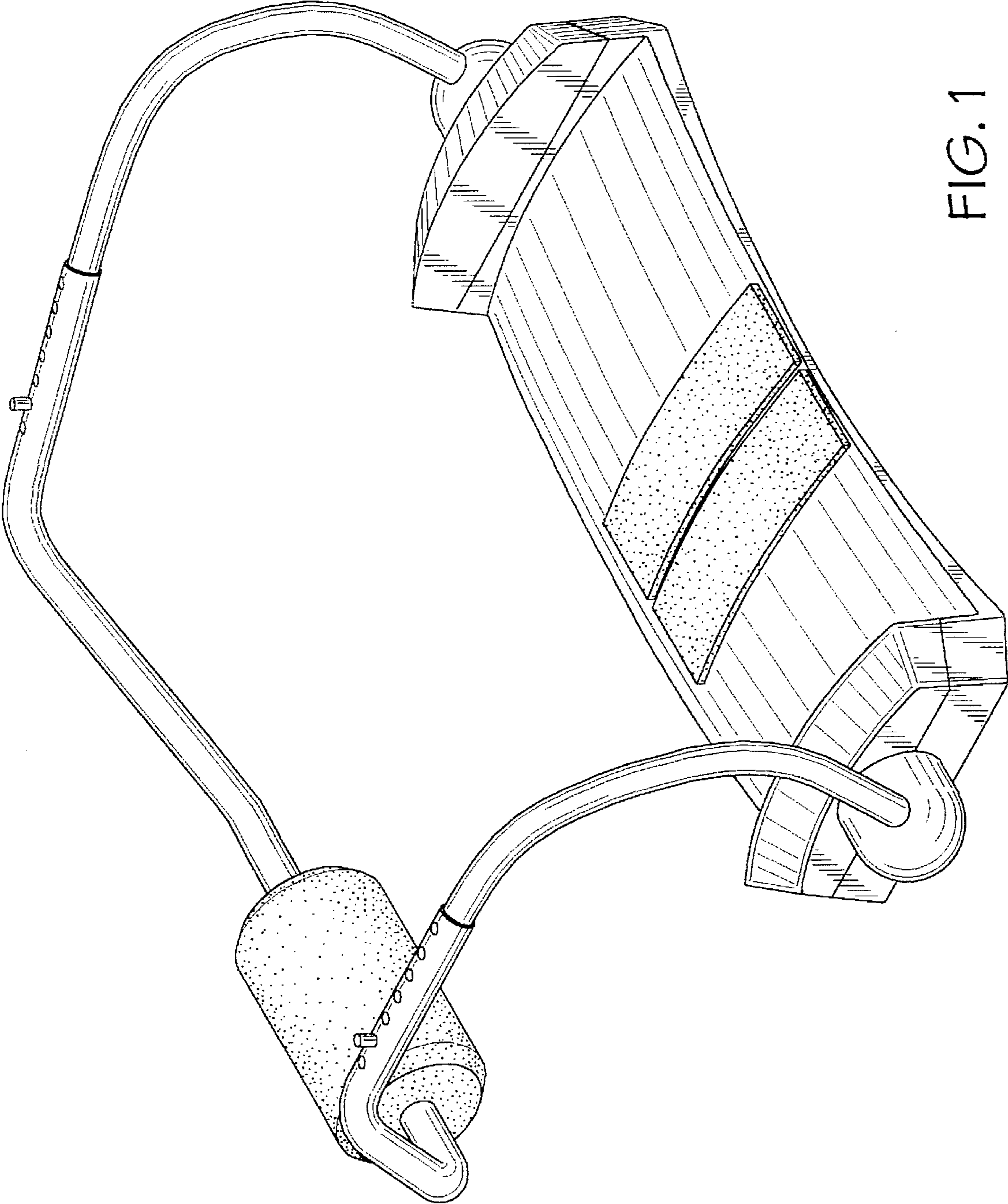


FIG. 1

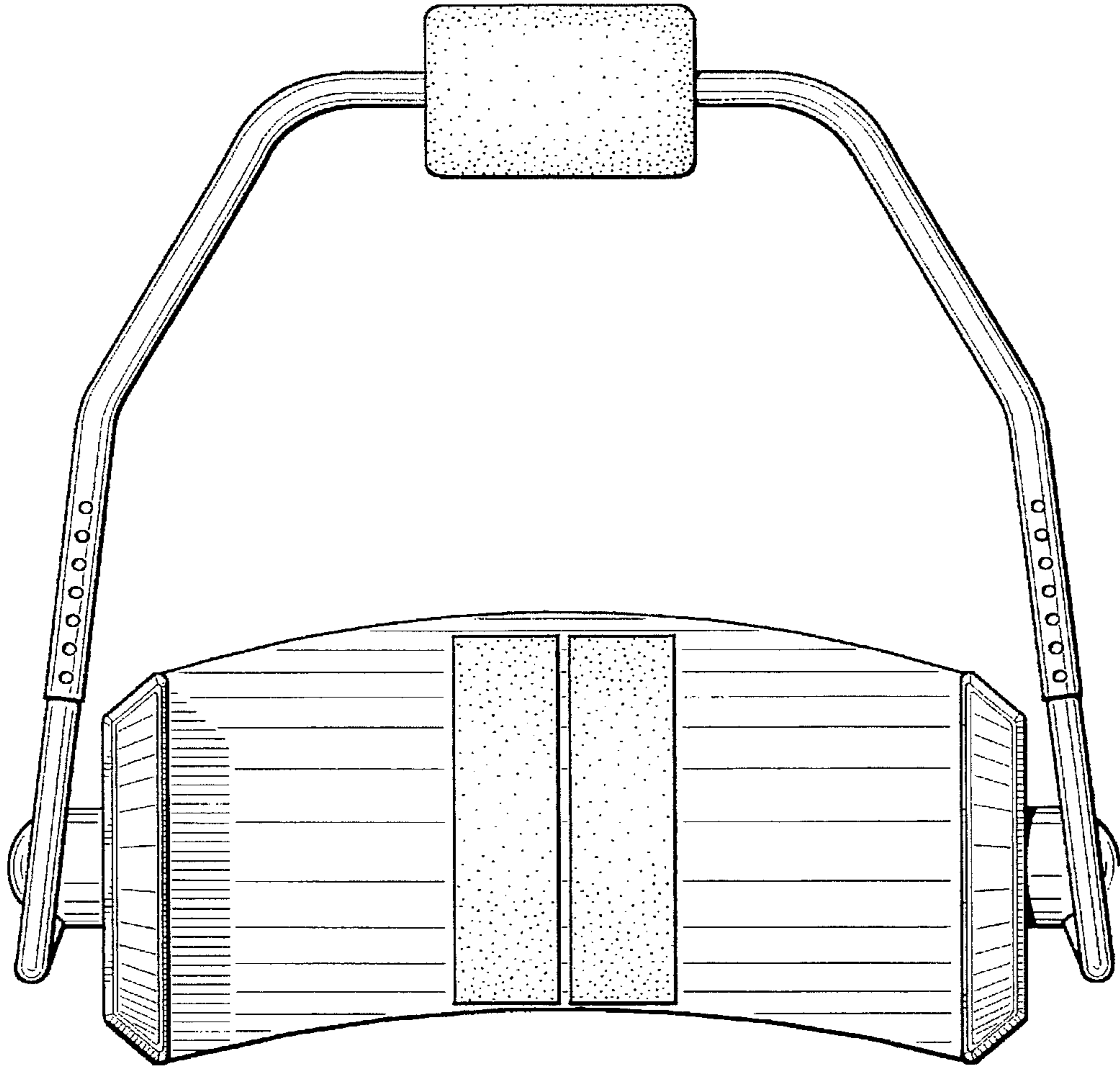


FIG. 2

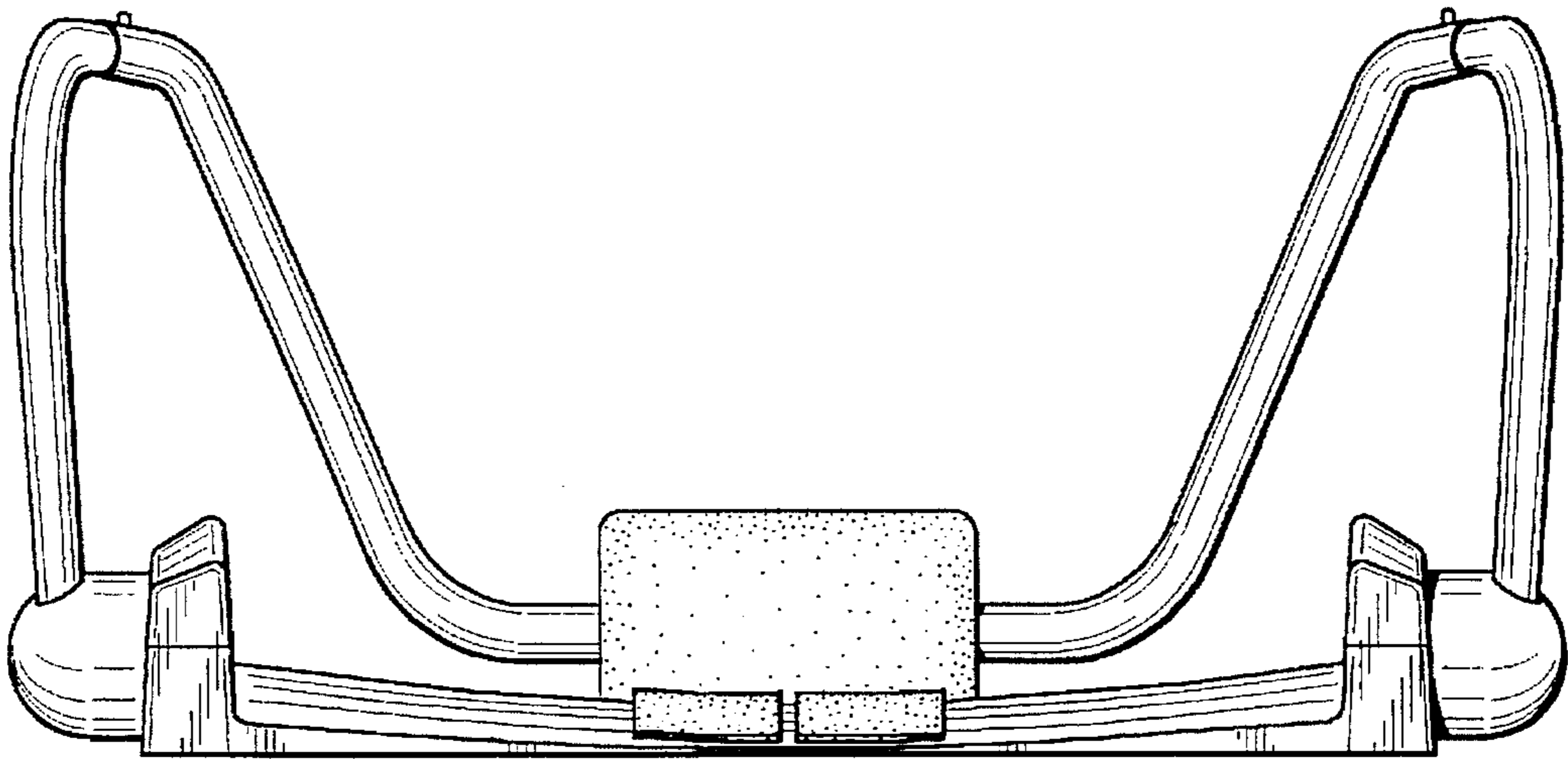


FIG. 3

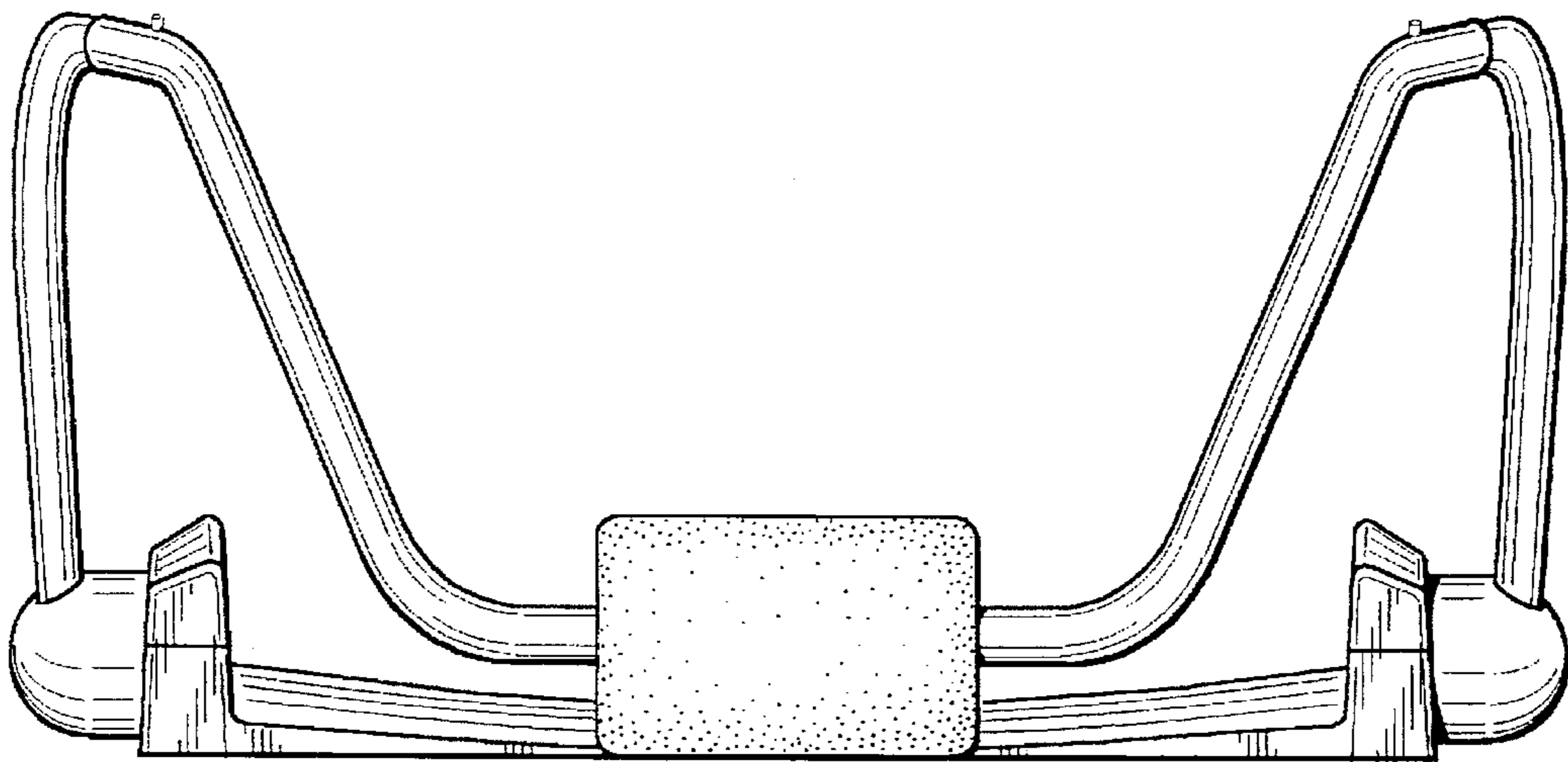


FIG. 4

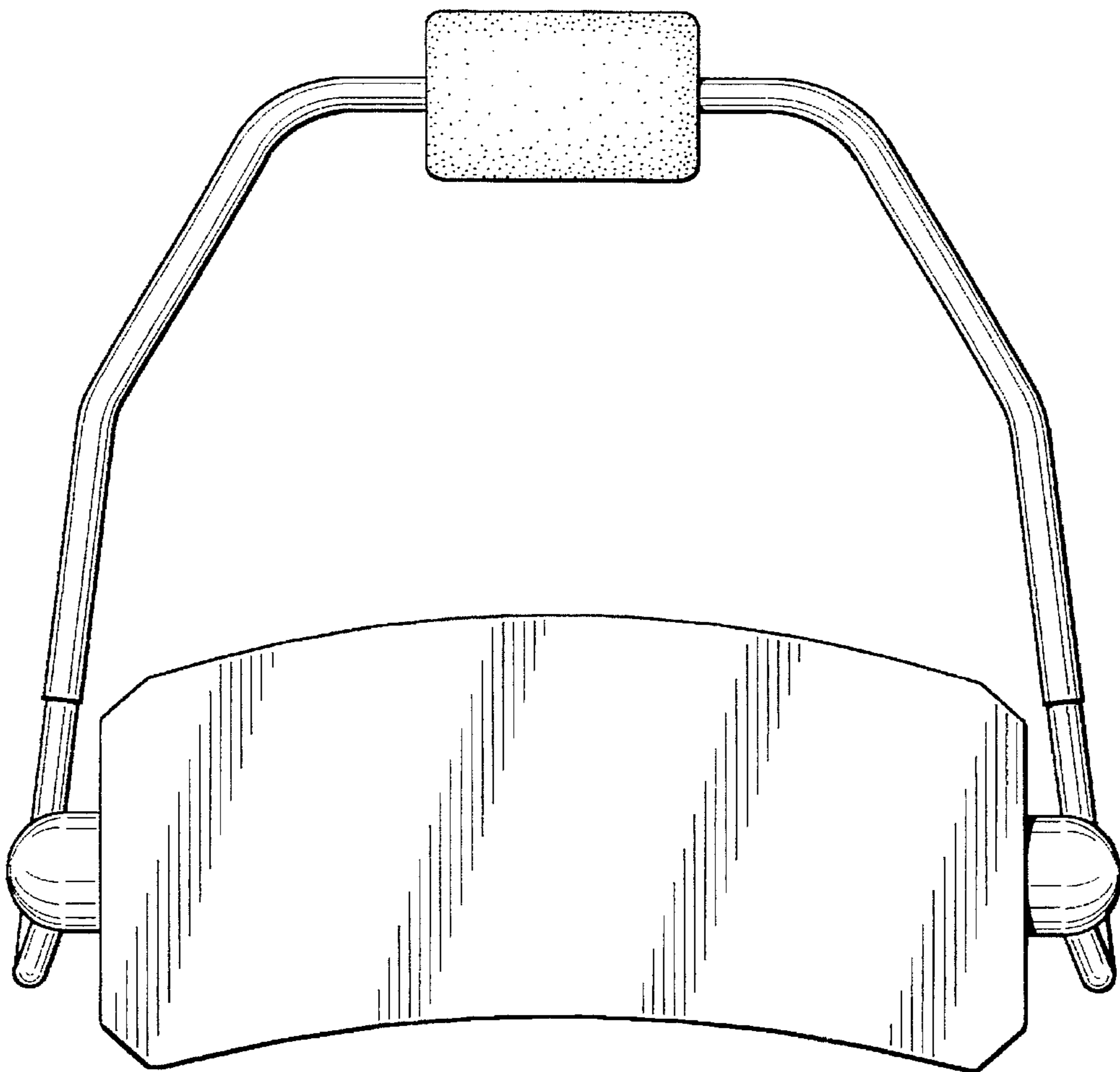


FIG. 5

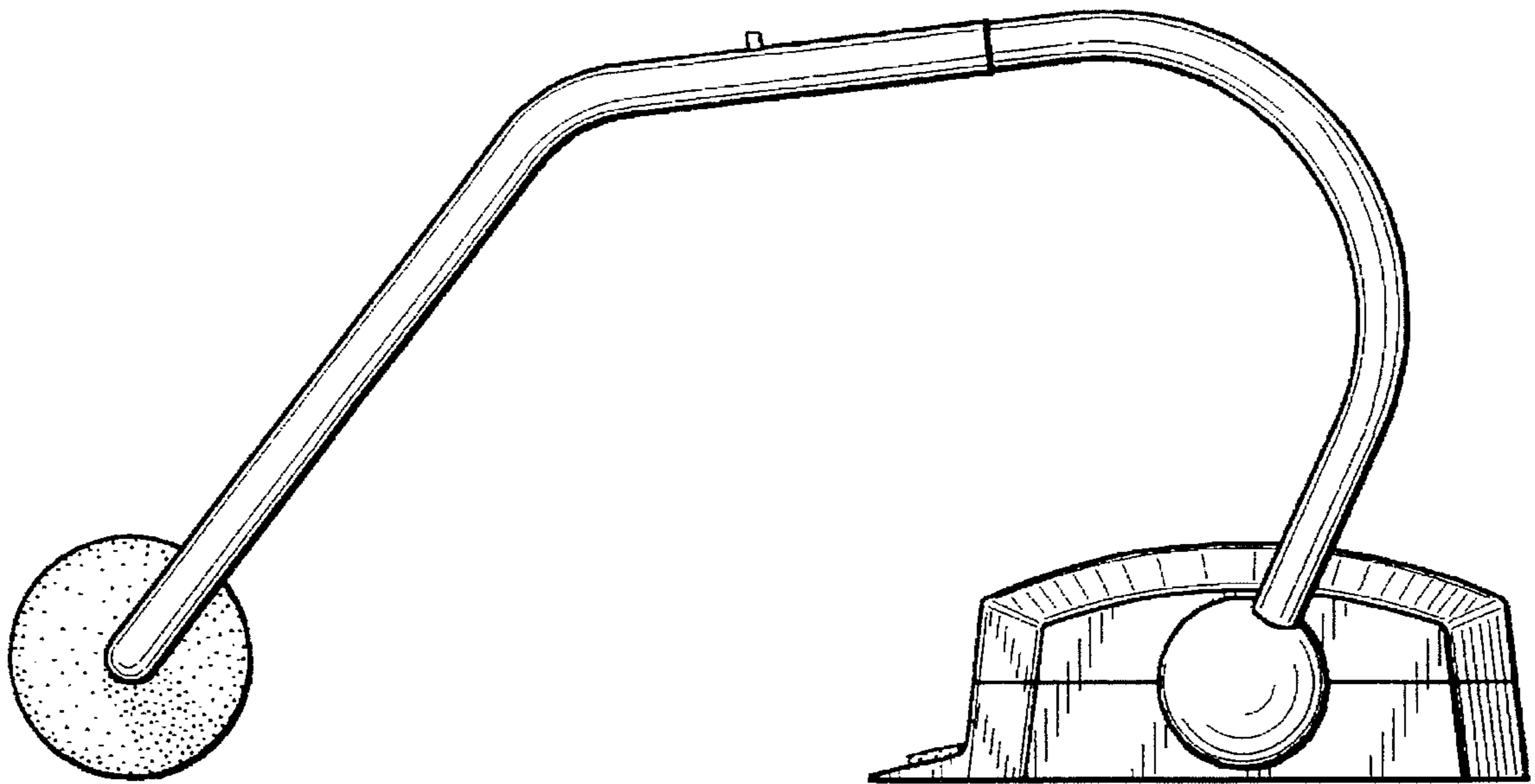


FIG. 6