



US00D381375S

# United States Patent [19]

[11] Patent Number: **Des. 381,375**

Spear et al.

[45] Date of Patent: **\*\*Jul. 22, 1997**

[54] **CHILD'S SNOW TOOL**

3,063,174 11/1962 Lupin ..... 294/54.5  
3,328,067 6/1967 Winkler ..... 294/54.5

[75] Inventors: **Kenneth J. Spear**, Vienna; **Bryan Ritchie**, Davisville, both of W. Va.

### OTHER PUBLICATIONS

Union Fork and Hoe Co., Dec. 4, 1986, p. 21 Shovel #3.

[73] Assignee: **O. Ames Co.**, Parkersburg, W. Va.

*Primary Examiner*—Raphael Barkai

[\*\*] Term: **14 Years**

*Attorney, Agent, or Firm*—Cushman, Darby & Cushman, Intellectual Property Group of Pillsbury Madison & Sutro LLP

[21] Appl. No.: **37,776**

[22] Filed: **Apr. 20, 1995**

### [57] CLAIM

[51] LOC (6) Cl. .... **21-01**

The ornamental design for a child's snow tool, as shown and described.

[52] U.S. Cl. .... **D21/120; D8/10**

[58] Field of Search ..... D21/120; D8/10;  
446/70, 479, 480, 481; 294/49, 50.5, 51,  
54.5

### DESCRIPTION

### [56] References Cited

FIG. 1 is a perspective view looking downwardly and toward the right side of the front of a child's snow tool showing our new design;

FIG. 2 is a front elevational view thereof;

FIG. 3 is a rear elevational view thereof;

FIG. 4 is a left side elevational view thereof, the right side elevational view being a mirror image thereof;

FIG. 5 is a top plan view thereof; and,

FIG. 6 is a bottom plan view thereof.

### U.S. PATENT DOCUMENTS

D. 267,468	1/1983	Simms	.....	294/54.5
D. 272,552	2/1984	Clanton	.....	D21/120
D. 298,205	10/1988	Pollak	.....	D8/10
D. 298,906	12/1988	Bonnes	.....	D8/10
D. 328,553	8/1992	Norton et al.	.....	D8/10
D. 360,564	7/1995	Tisbo et al.	.....	D8/10
860,086	7/1907	Gifford	.....	294/54.5

**1 Claim, 4 Drawing Sheets**

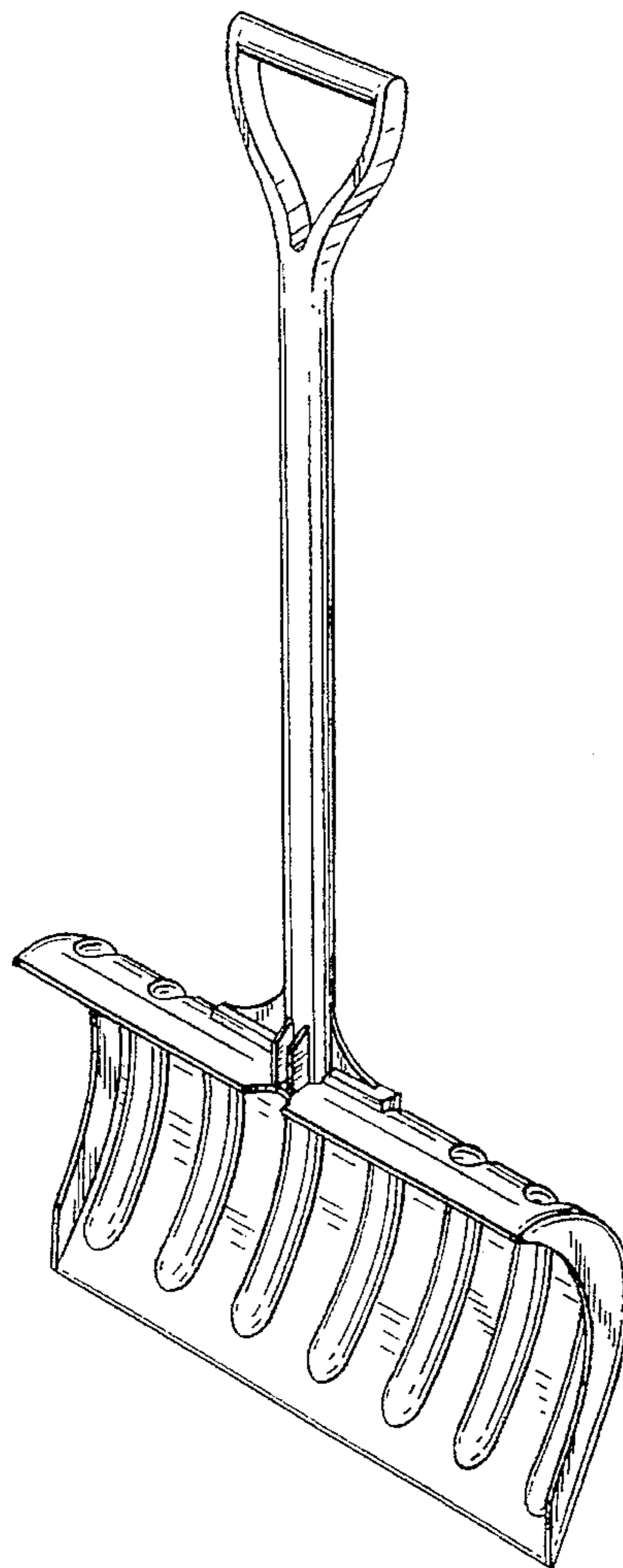


FIG. 1

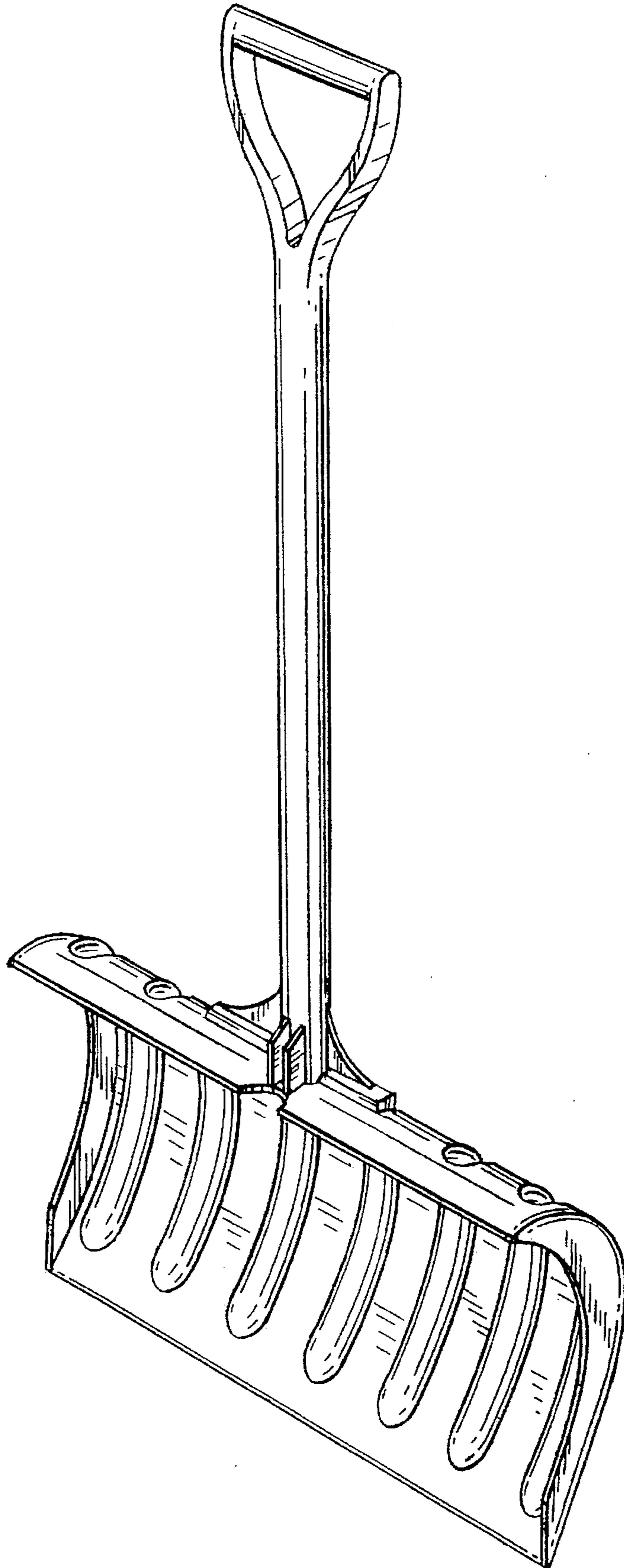


FIG. 2

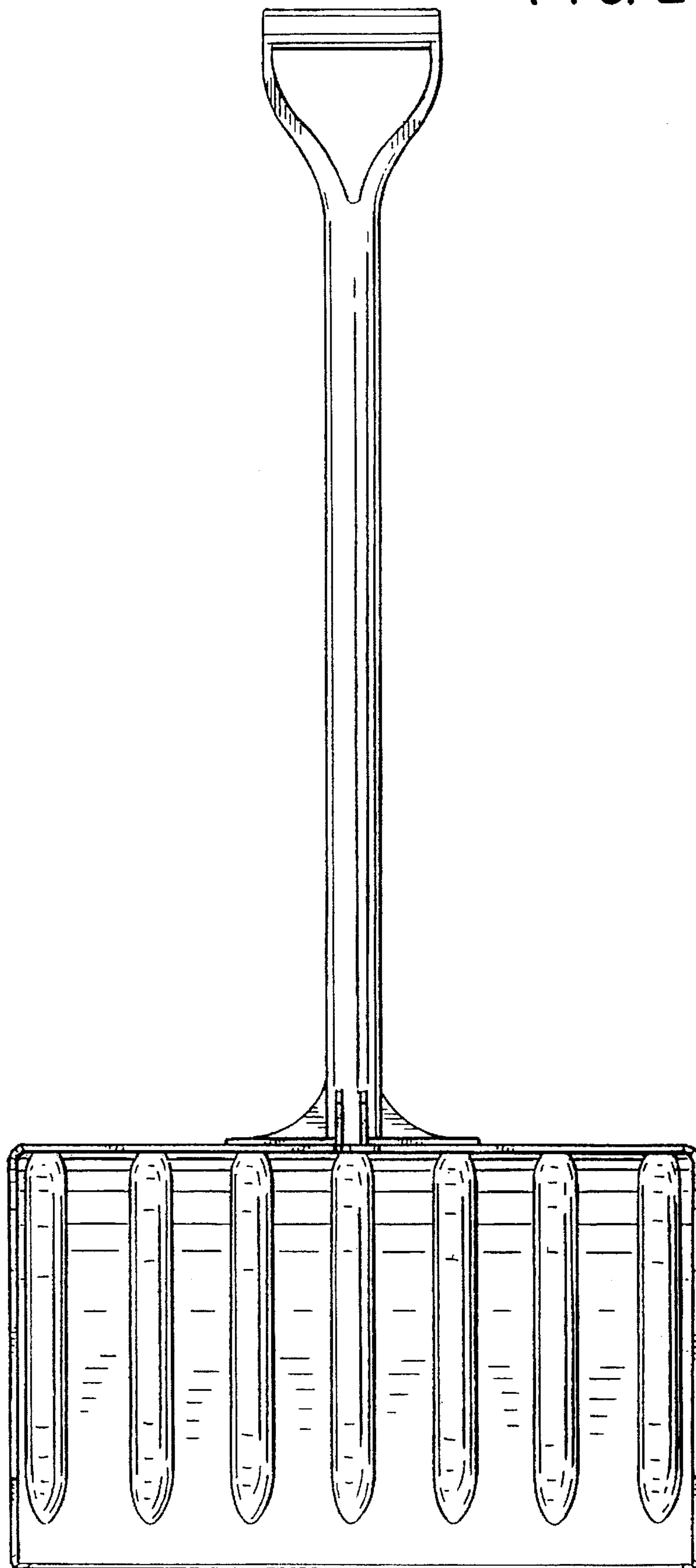


FIG. 3

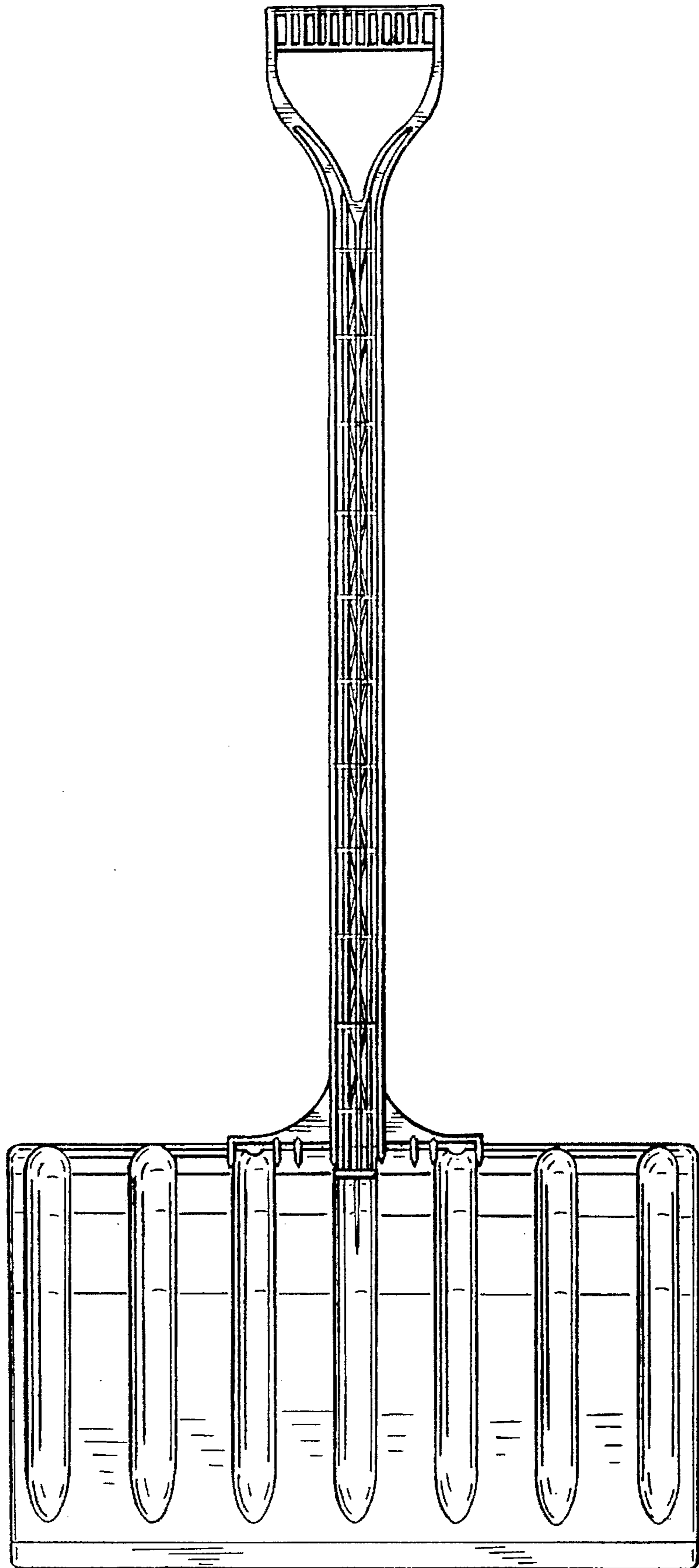


FIG. 4

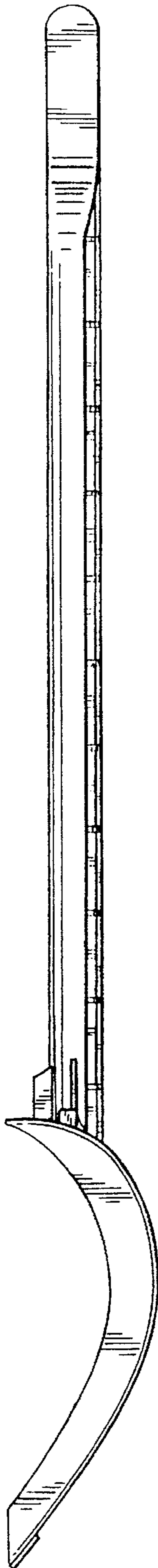


FIG. 5

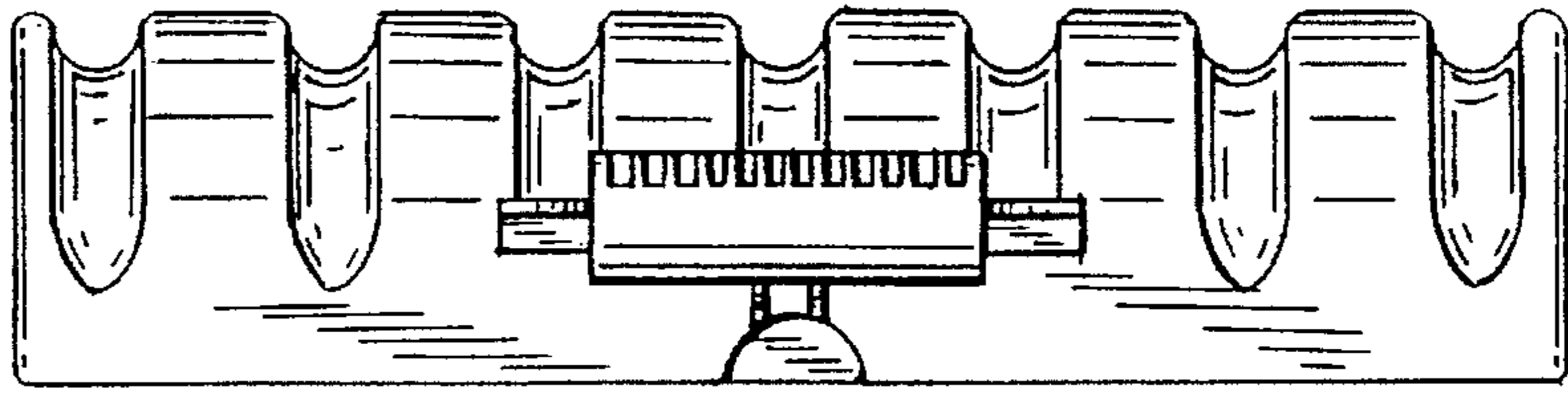


FIG. 6

