



US00D381373S

United States Patent [19]

Brown

[11] Patent Number: **Des. 381,373**

[45] Date of Patent: ****Jul. 22, 1997**

[54] **SOLITAIRE PLAYING BOARD**

[76] Inventor: **Ronald C. Brown**, 15707 W. 128th St.,
Olathe, Kans. 66062

[**] Term: **14 Years**

[21] Appl. No.: **45,622**

[22] Filed: **Oct. 25, 1995**

[51] LOC (6) Cl. **21-01**

[52] U.S. Cl. **D21/57; D21/54**

[58] Field of Search **D21/14-37, 48,**
D21/54, 55, 57; 273/236, 288, 248 A, 150

[56] **References Cited**

U.S. PATENT DOCUMENTS

- D. 241,052 8/1976 Brown D21/57
- D. 257,159 9/1980 Hubbard et al. D21/57

- D. 286,306 10/1986 Colomac, Jr. D21/57
- D. 294,960 3/1988 Corbett D21/54
- D. 313,252 12/1990 Lomberk D21/57
- 1,716,022 6/1929 Baker 273/148 A
- 4,138,119 2/1979 Brannon 273/148 A

Primary Examiner—Sandra L. Morris

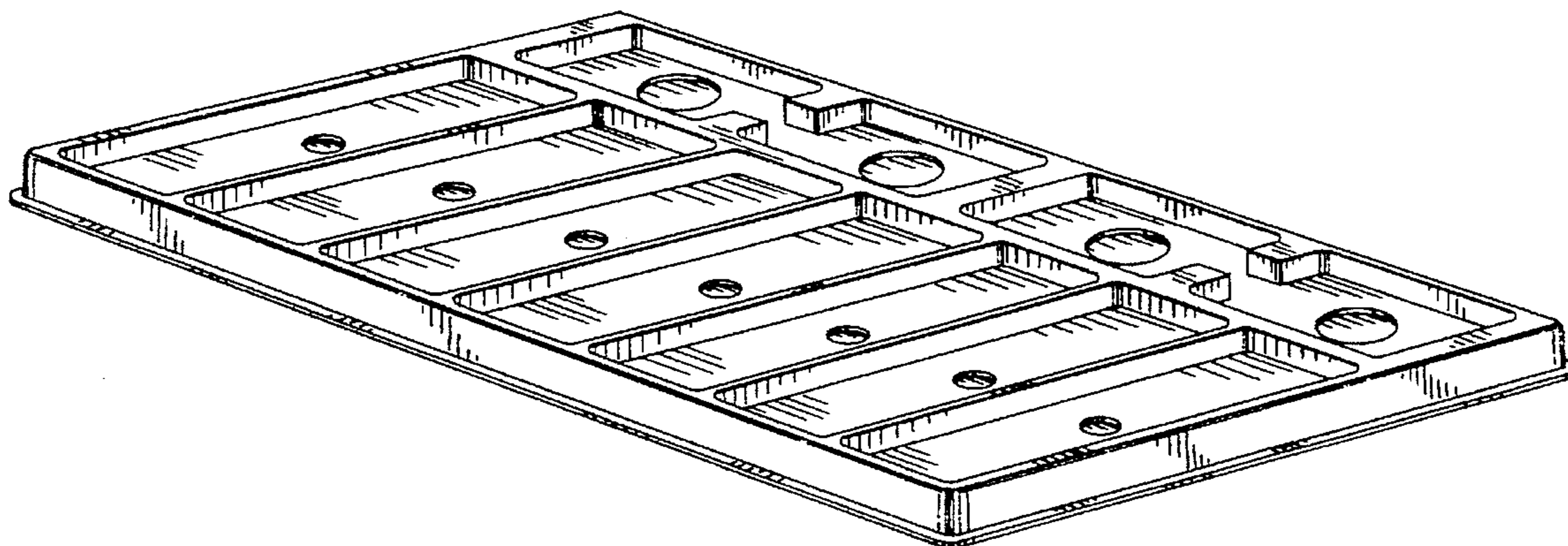
[57] **CLAIM**

The ornamental design for a solitaire playing board, as shown and described.

DESCRIPTION

FIG. 1 is a perspective view of a solitaire playing board according to the present invention;
FIG. 2 is a top plan view thereof;
FIG. 3 is a side elevation view thereof; and,
FIG. 4 is an end elevation view thereof.

1 Claim, 1 Drawing Sheet



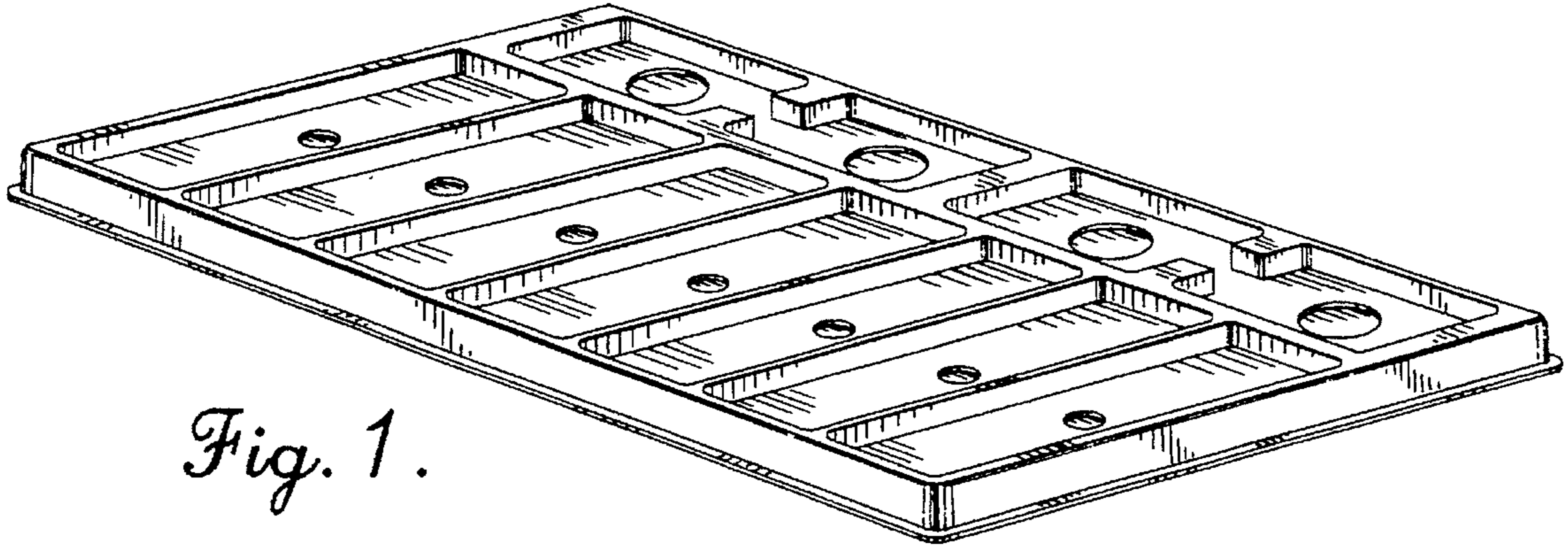


Fig. 1.

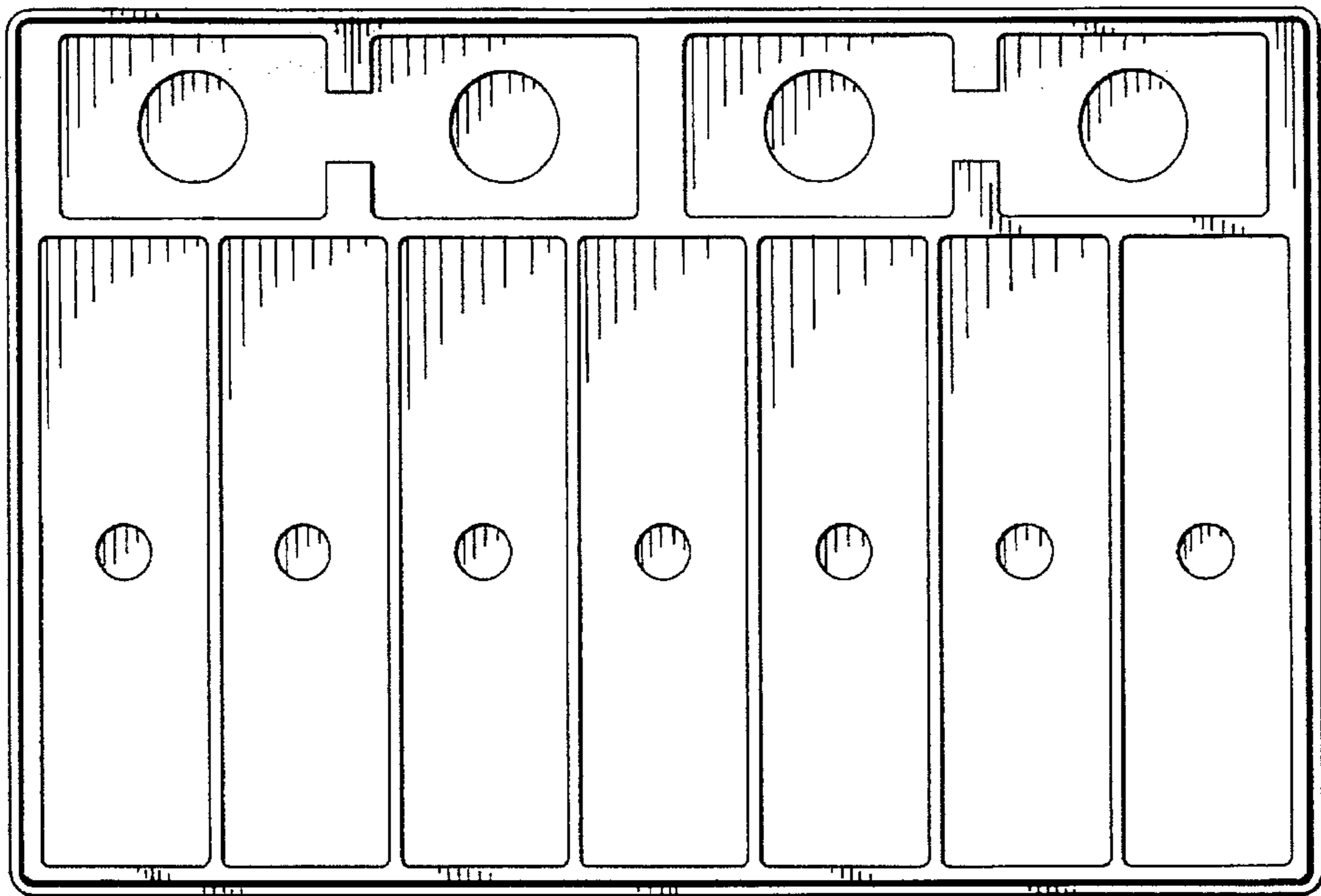


Fig. 2.

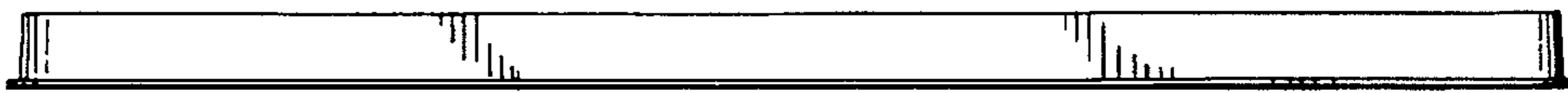


Fig. 3.



Fig. 4.