



US00D381369S

United States Patent [19]
Sabadina

[11] **Patent Number:** **Des. 381,369**
[45] **Date of Patent:** ****Jul. 22, 1997**

[54] **DISPLAY TAG HOLDER**

4,713,899 12/1987 Fast 40/642
5,419,066 5/1995 Harnois et al. 40/642

[75] Inventor: **Raymond M. Sabadina**, Manly,
Australia

Primary Examiner—Susan J. Lucas
Assistant Examiner—Jennifer A. Register
Attorney, Agent, or Firm—Fulwider Patton Lee & Utecht,
LLP

[73] Assignee: **Dimeprint (Australia) Pty Ltd.**,
Coogee NSW, Australia

[**] Term: **14 Years**

[57] **CLAIM**

[21] Appl. No.: **49,458**

The ornamental design for a display tag holder, as shown
and described.

[22] Filed: **Jan. 25, 1996**

DESCRIPTION

[51] **LOC (6) Cl.** **20-02**

[52] **U.S. Cl.** **D20/43**

[58] **Field of Search** D20/10, 42, 43,
D20/40, 99, 44; 40/642, 649, 646, 650,
651, 648, 658, 617, 661, 299, 584; 211/50

FIG. 1 is a rear view of a display tag holder showing my new
design;

FIG. 2 is a left side elevational view thereof;

FIG. 3 is a front view thereof;

FIG. 4 is a right side elevational view thereof;

FIG. 5 is a top plan view thereof;

FIG. 6 is a bottom plan view thereof; and

FIG. 7 is a front perspective view thereof;

FIG. 8 is a rear view of an alternative display tag holder
showing my new design;

FIG. 9 is a left side elevational view thereof;

FIG. 10 is a front view thereof;

FIG. 11 is a right side elevational view thereof;

FIG. 12 is a top plan view thereof;

FIG. 13 is a bottom plan view thereof; and,

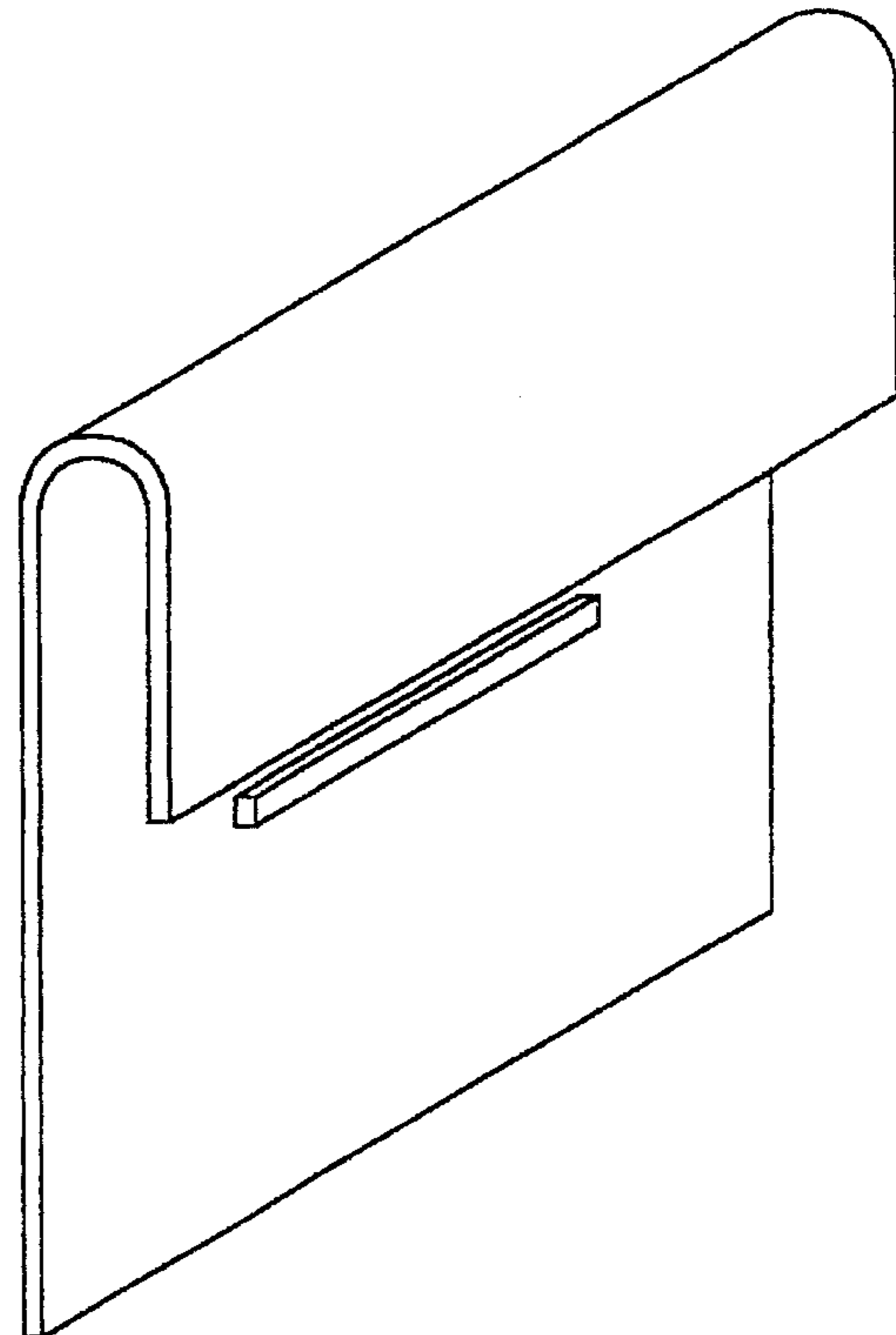
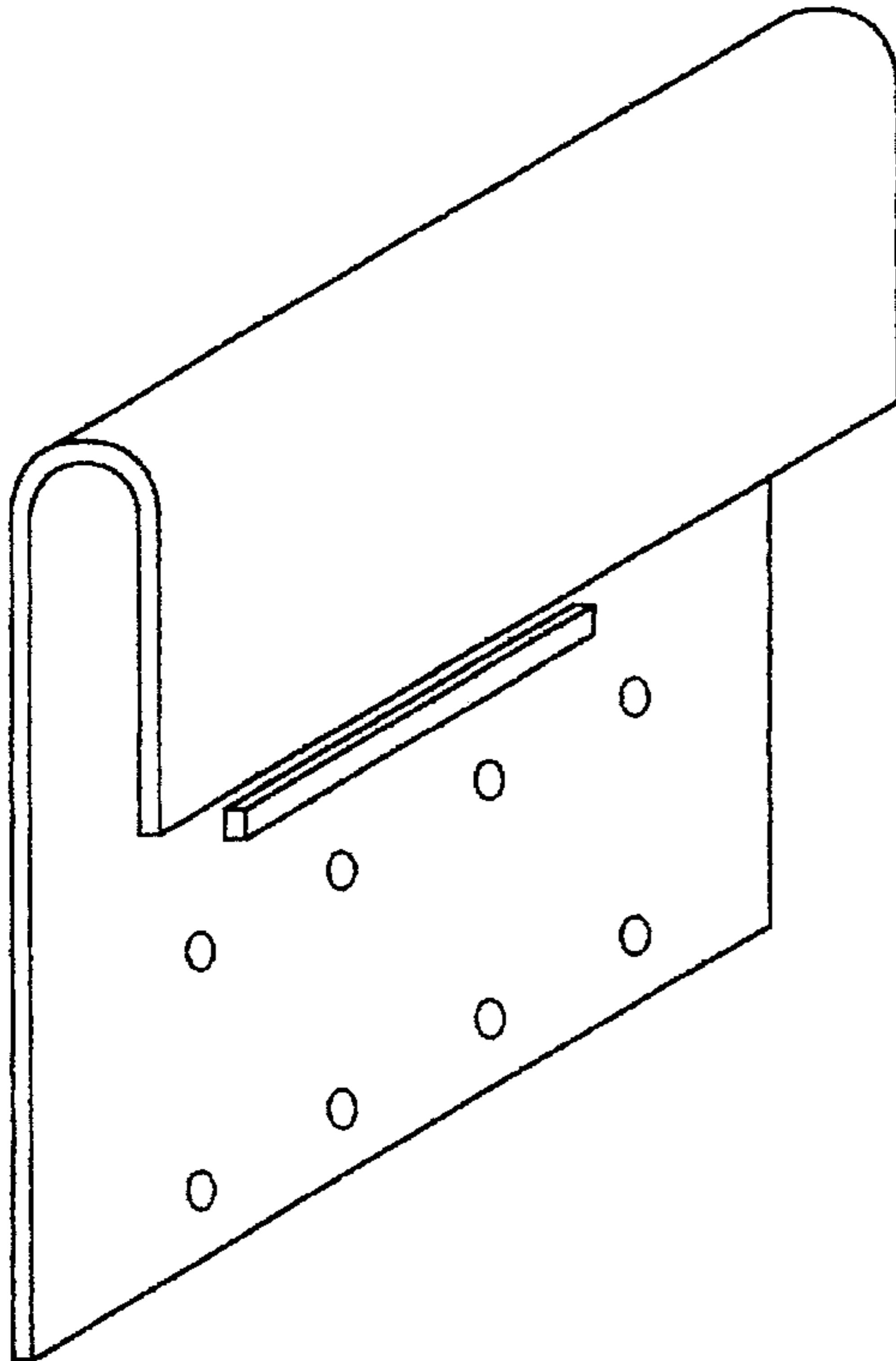
FIG. 14 is a front perspective view thereof.

[56] **References Cited**

U.S. PATENT DOCUMENTS

D. 249,905	10/1978	Galazzo	D20/43
D. 296,569	7/1988	Vela	D20/43
581,237	4/1897	Mautz	211/50
2,098,944	11/1937	Ceder	40/657 X
4,051,615	10/1977	Gasanko et al.	40/661 X
4,341,029	7/1982	Heard	40/617 X
4,373,466	2/1983	MacPhee	40/651 X
4,557,064	12/1985	Thompson	40/642
4,671,002	6/1987	Fast	40/584 X

1 Claim, 4 Drawing Sheets



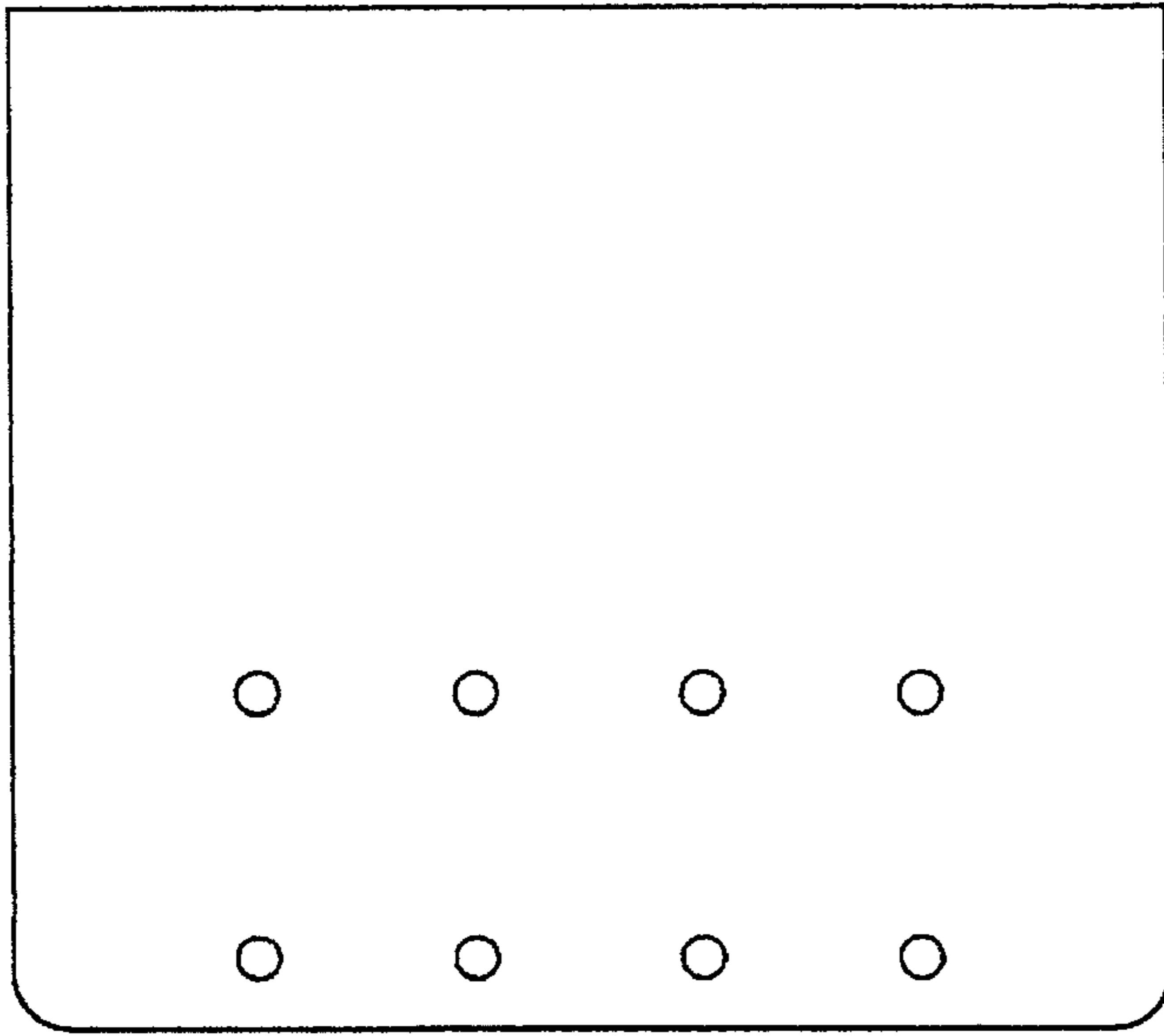


FIG. 1

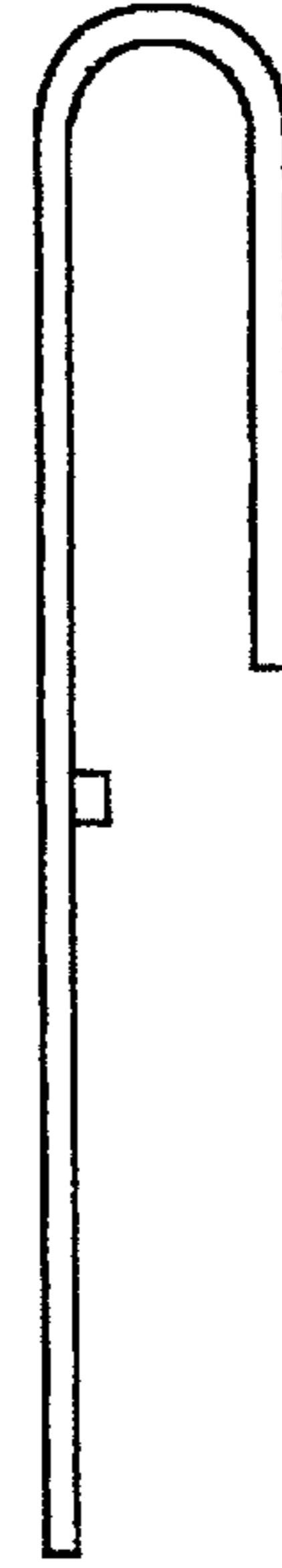


FIG. 2

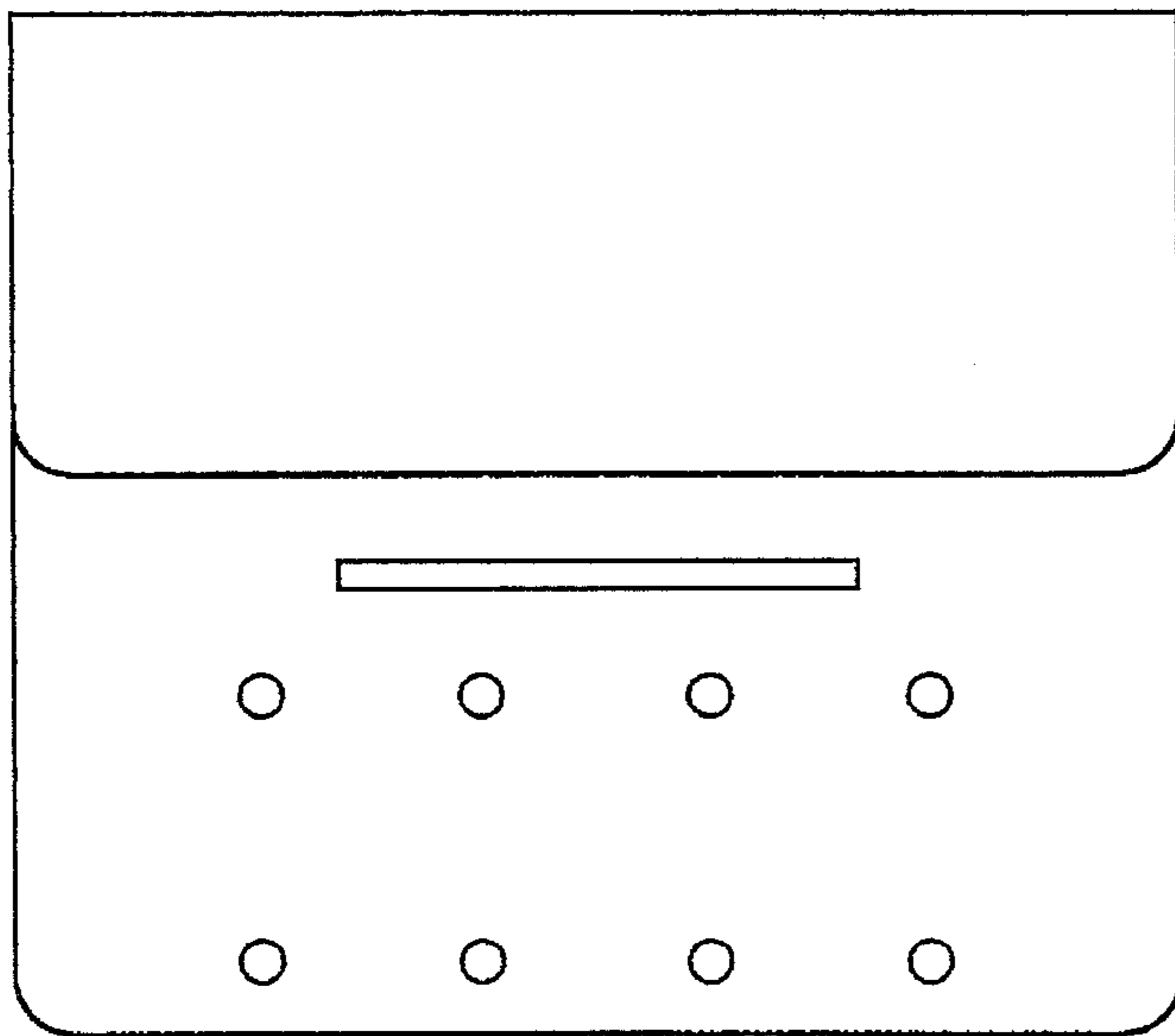


FIG. 3

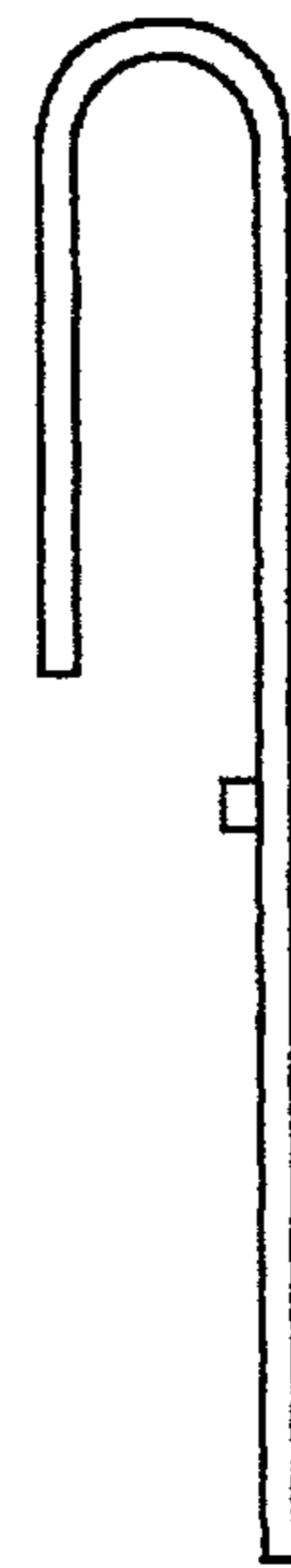


FIG. 4



FIG. 5

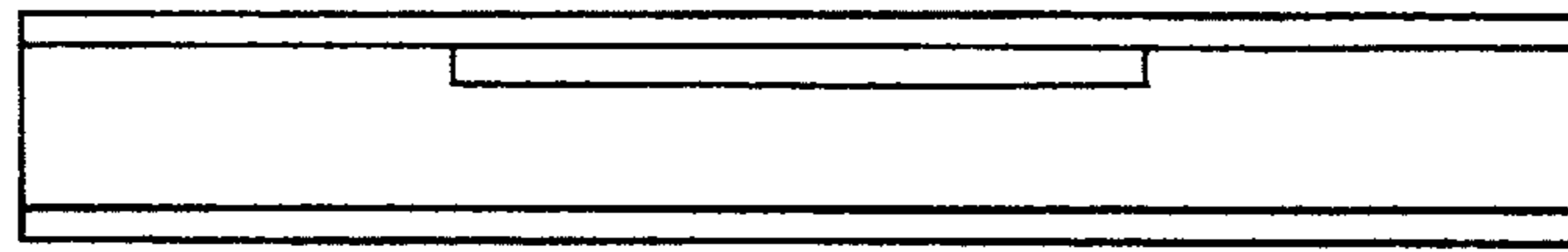


FIG. 6

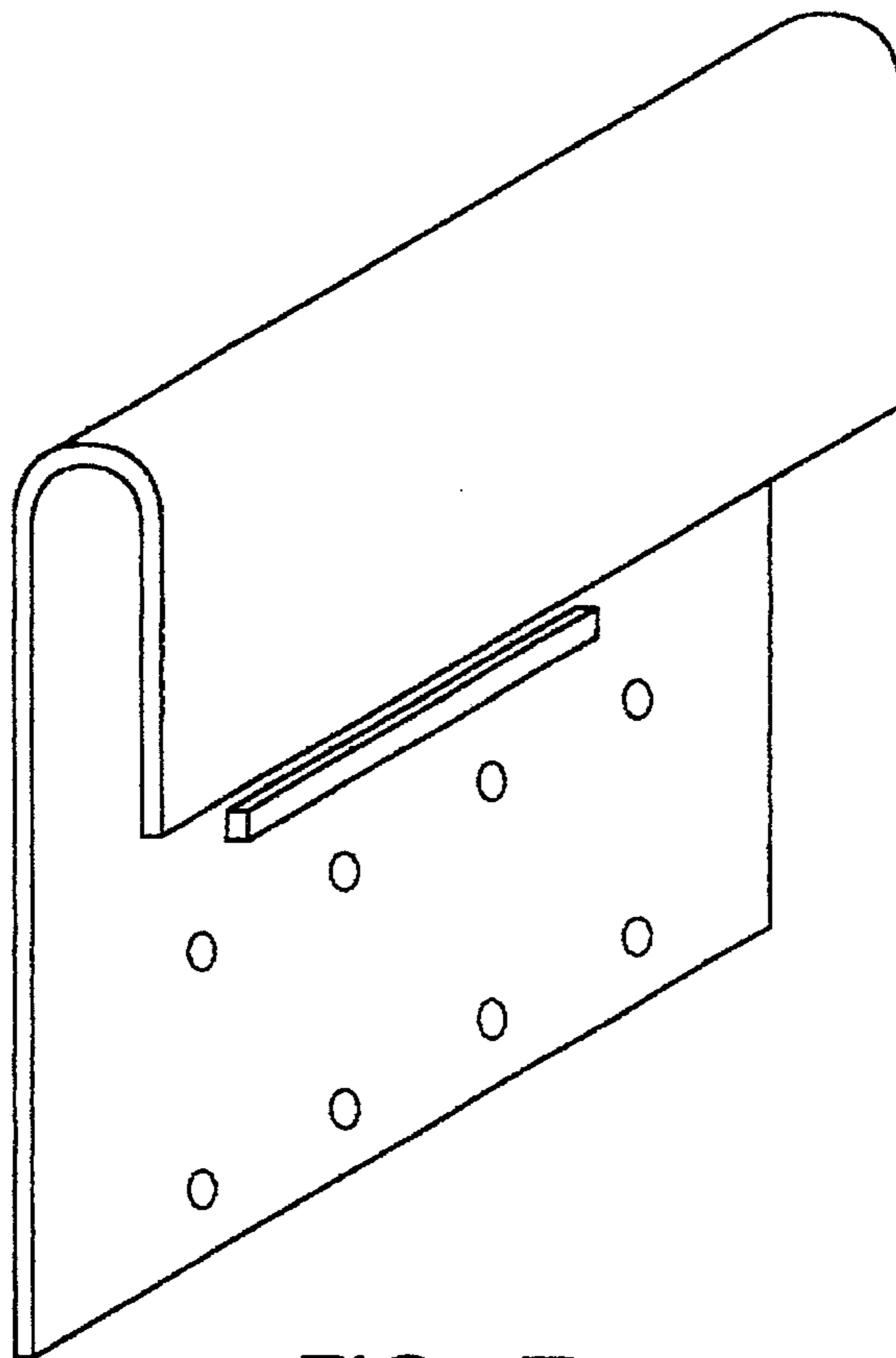


FIG. 7

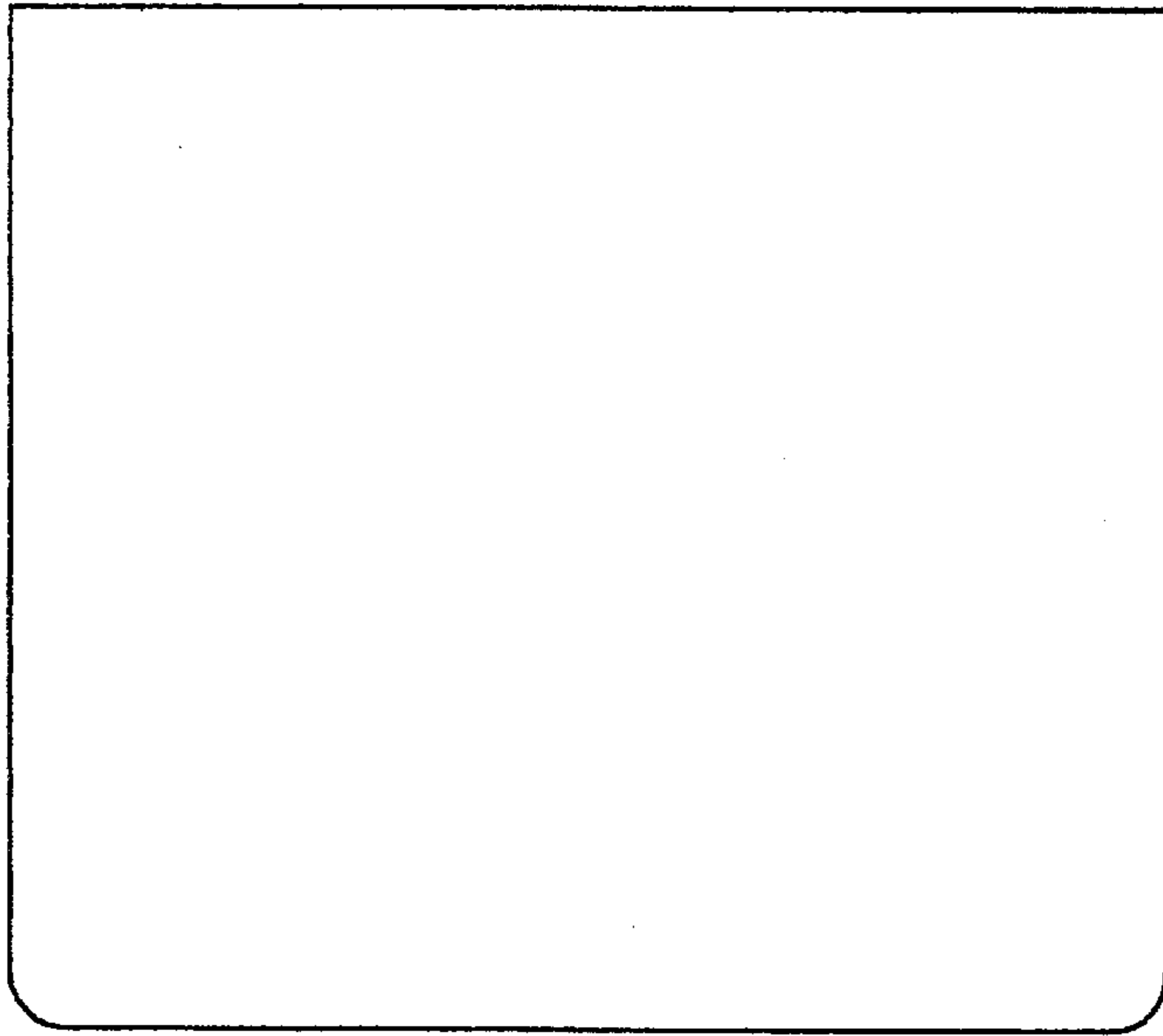


FIG. 8



FIG. 9

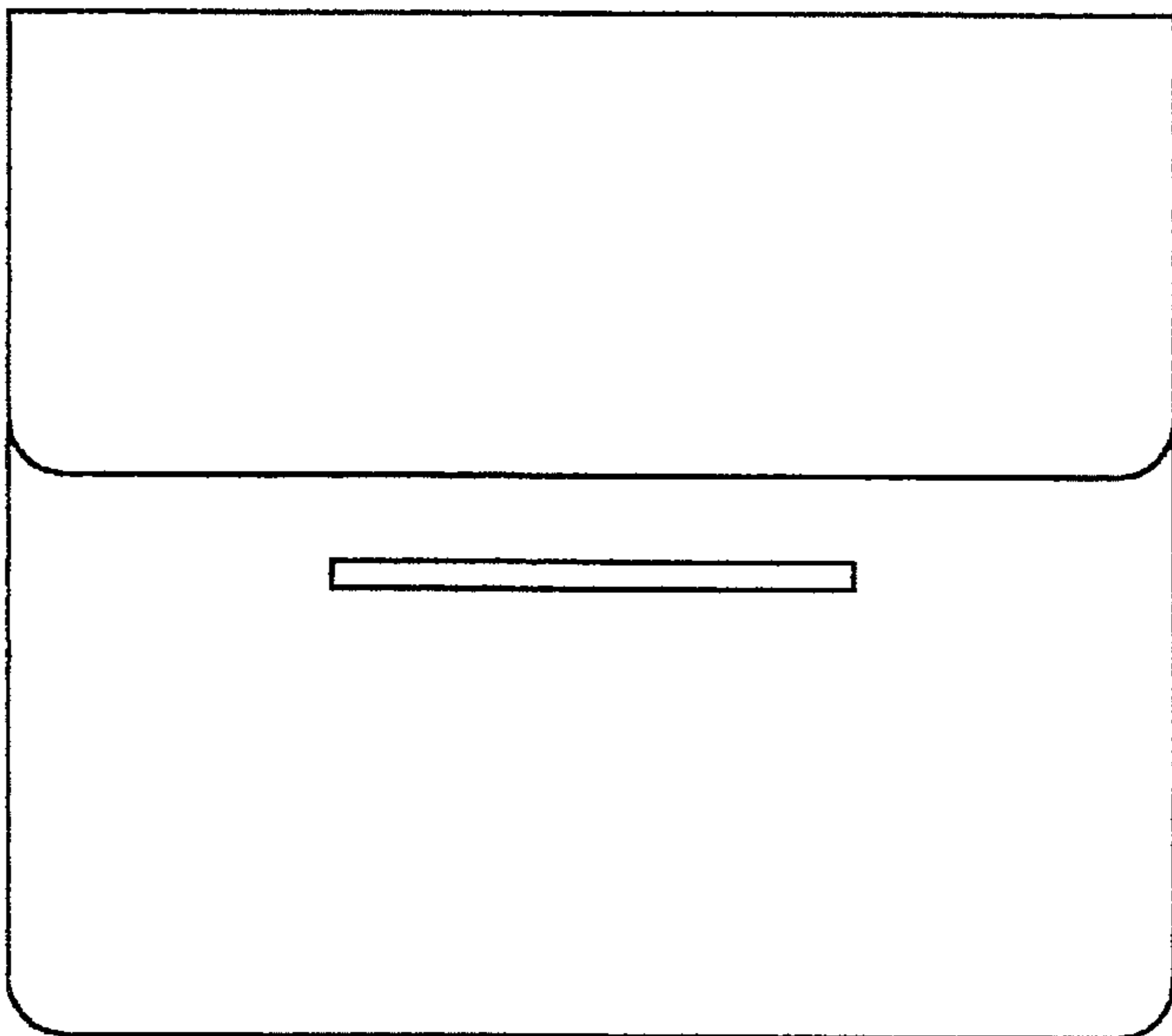


FIG. 10

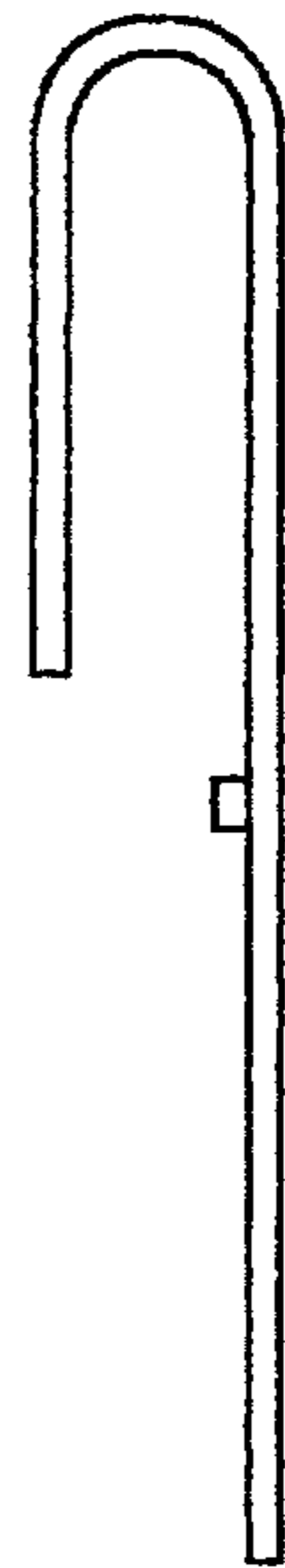


FIG. 11



FIG. 12

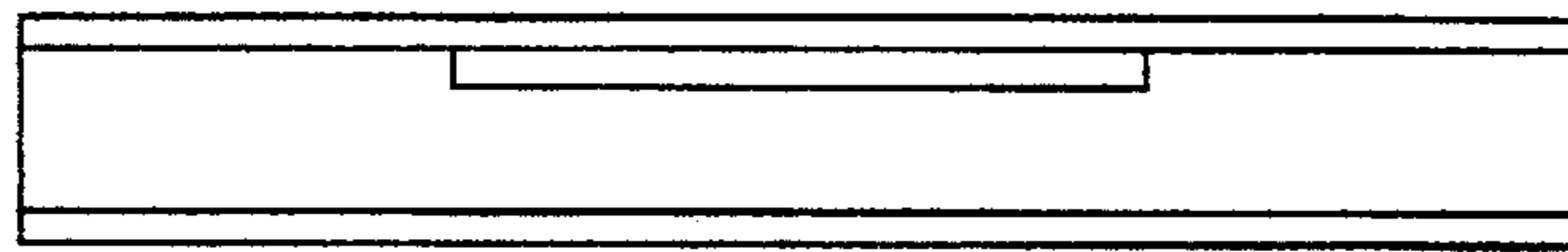


FIG. 13

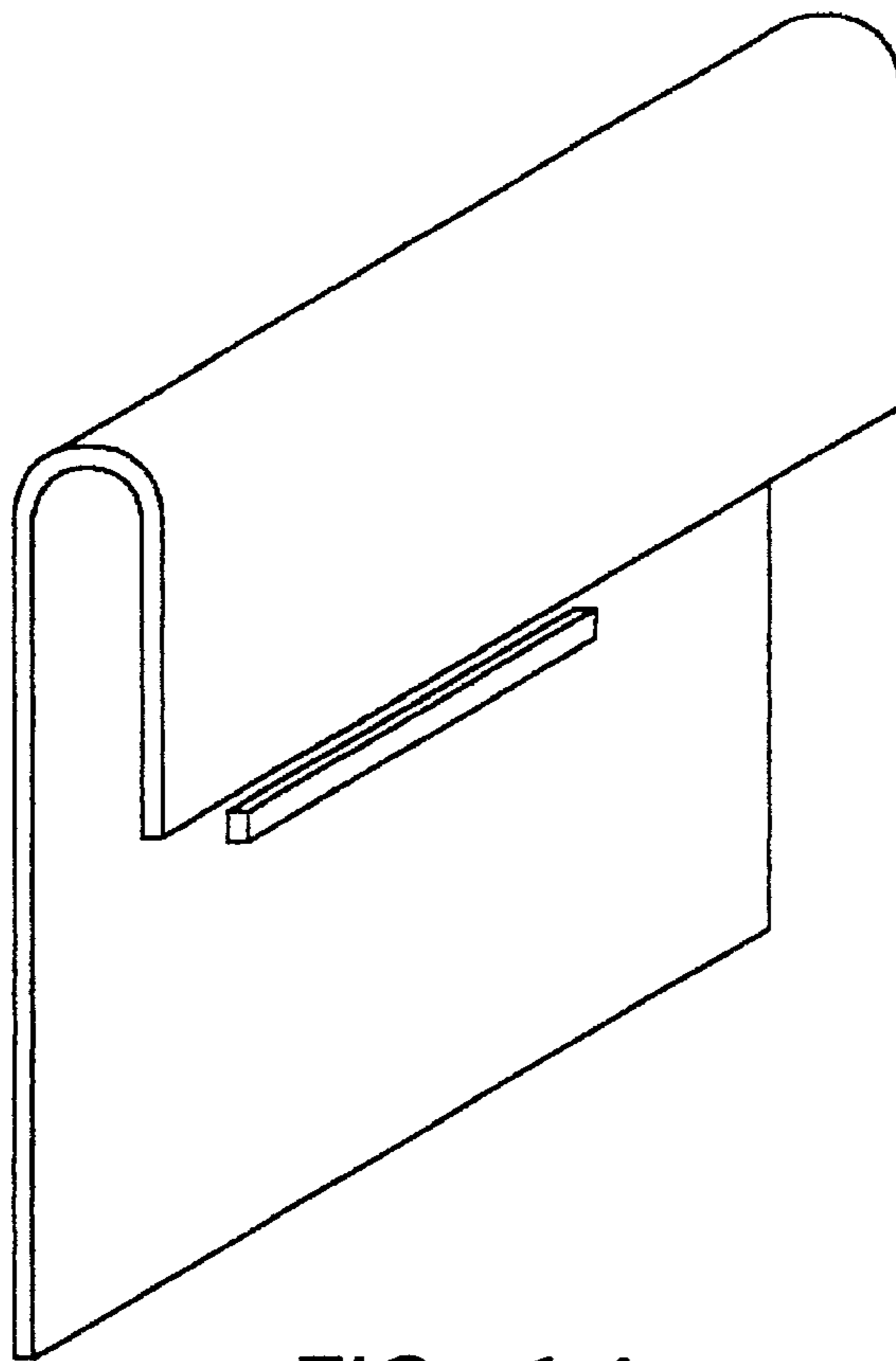


FIG. 14