



US00D381365S

**United States Patent** [19]  
**Kamiya**

[11] **Patent Number: Des. 381,365**  
[45] **Date of Patent: \*\*Jul. 22, 1997**

[54] **LIQUID CRYSTAL DISPLAY**

D. 328,763 8/1992 Laviana et al. .... D20/12  
D. 330,732 11/1992 Cravins ..... D20/11  
D. 344,102 2/1994 Polak et al. .... D20/11

[75] Inventor: **Toshikazu Kamiya**, Kariya, Japan

[73] Assignee: **Kabushiki Kaisha Toyota Jidoshokki Seisakusho**, Kariya, Japan

*Primary Examiner*—Marcus A. Jackson  
*Attorney, Agent, or Firm*—Brooks Haidt Haffner & Delahunty

[\*\*] Term: **14 Years**

[57] **CLAIM**

[21] Appl. No.: **37,459**

The ornamental design for a liquid crystal display, as shown and described.

[22] Filed: **Apr. 13, 1995**

[30] **Foreign Application Priority Data**

**DESCRIPTION**

Oct. 17, 1994 [JP] Japan ..... 6-31512  
Oct. 17, 1994 [JP] Japan ..... 6-31514  
Oct. 17, 1994 [JP] Japan ..... 6-31516  
Oct. 17, 1994 [JP] Japan ..... 6-31519

FIG. 1 is a front elevational view of a liquid crystal display showing my new design;  
FIG. 2 is a rear elevational view thereof;  
FIG. 3 is a top plan view thereof, with the bottom being a mirror image;  
FIG. 4 is a side elevational view thereof, with the opposite side being a mirror image;  
FIG. 5 is a sectional view taken along line 5—5 in FIG. 1;  
FIG. 6 is a front elevational view thereof, with the emblems shown in an energized form; and  
FIG. 7 is a perspective view thereof, with the broken line showing for illustrative purposes only and forming no part of the claimed design.

[51] LOC (6) Cl. .... **19-08**

[52] U.S. Cl. .... **D20/12**

[58] Field of Search ..... D20/11, 12, 17,  
D20/18; D18/26; 40/447, 448, 449, 450,  
451; 340/719, 756, 760, 765

[56] **References Cited**

**U.S. PATENT DOCUMENTS**

D. 316,875 5/1991 Momot et al. .... D20/12  
D. 321,014 10/1991 Arkell ..... D20/11

**1 Claim, 3 Drawing Sheets**

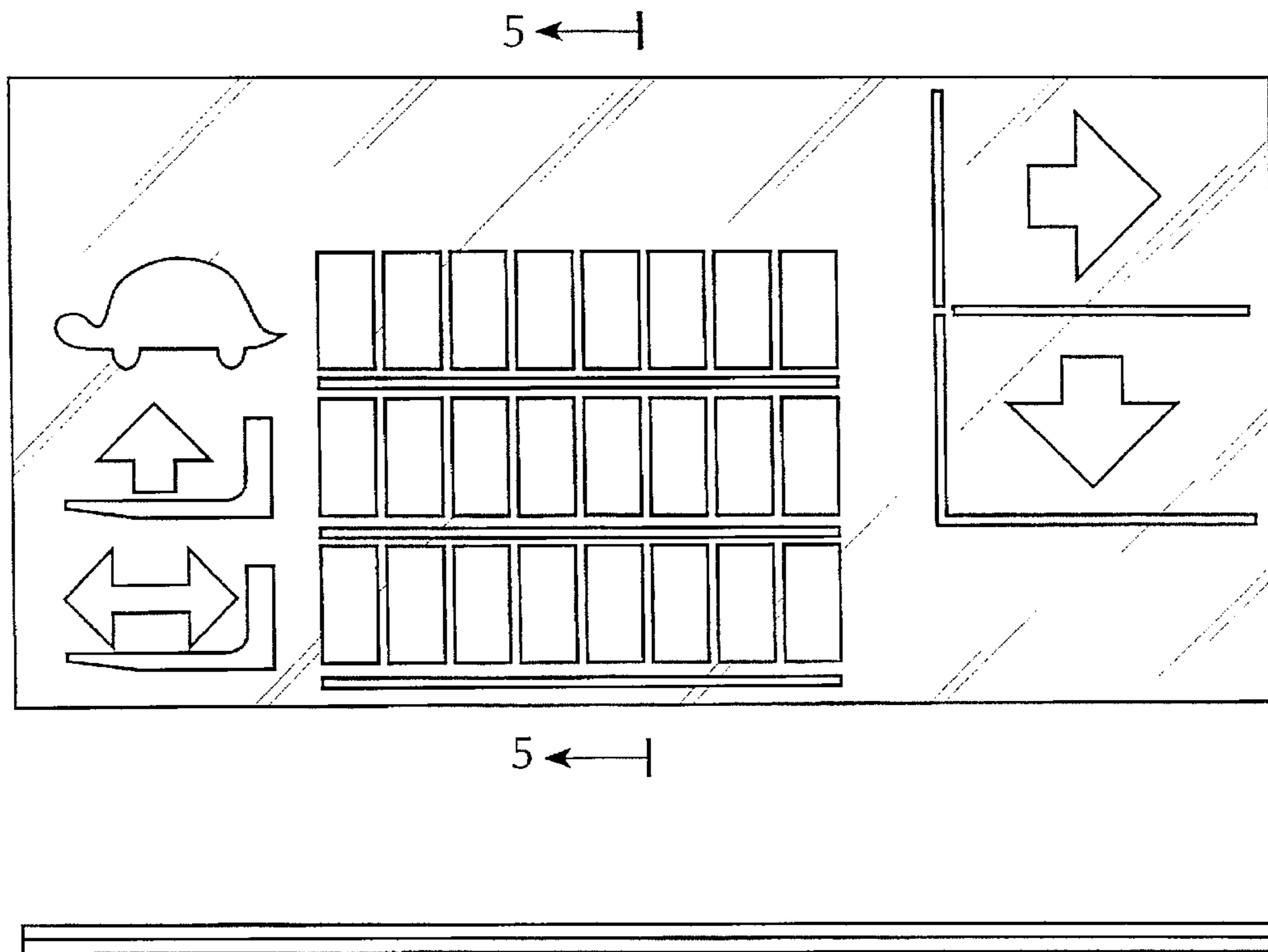


FIG. 1

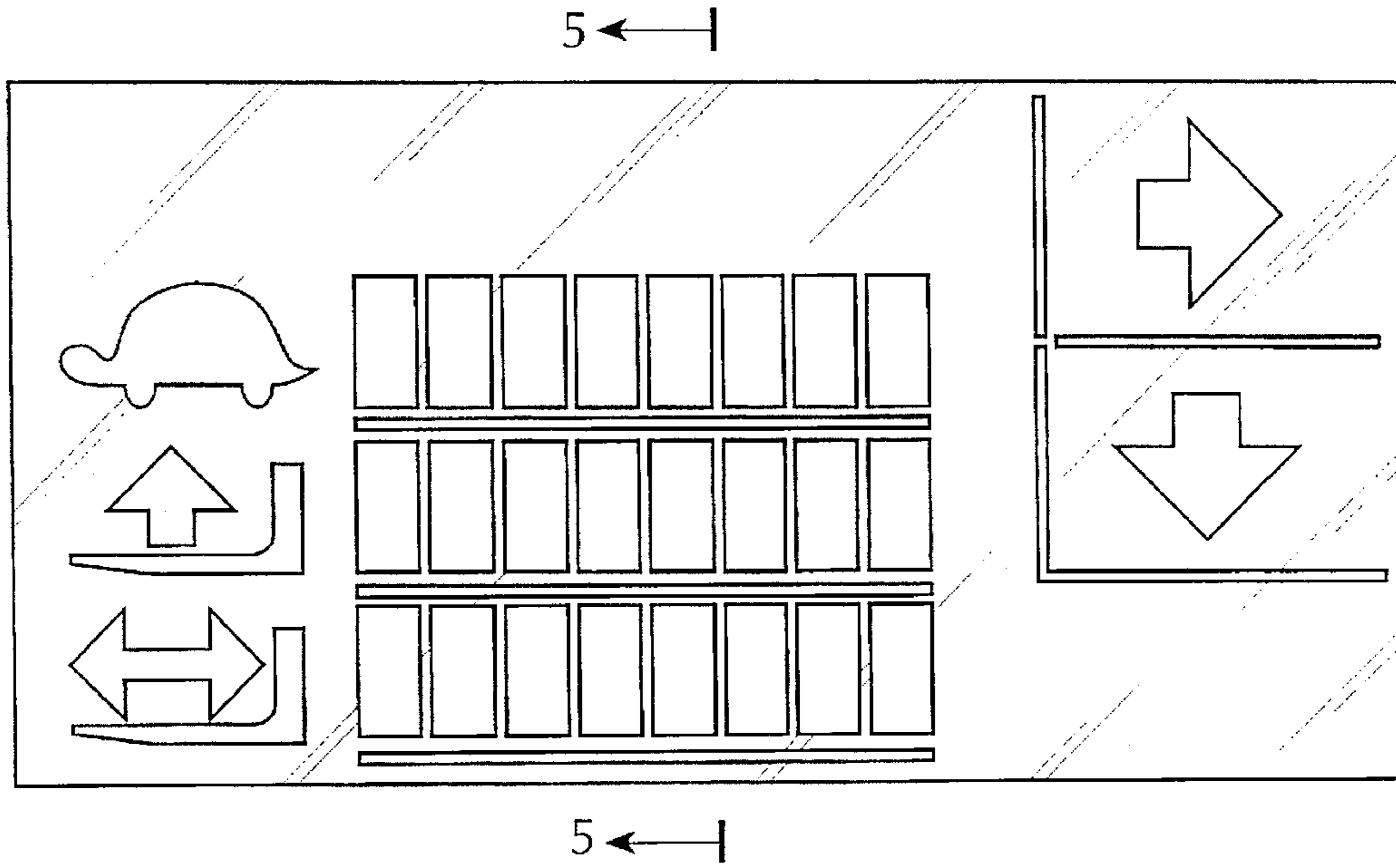


FIG. 2

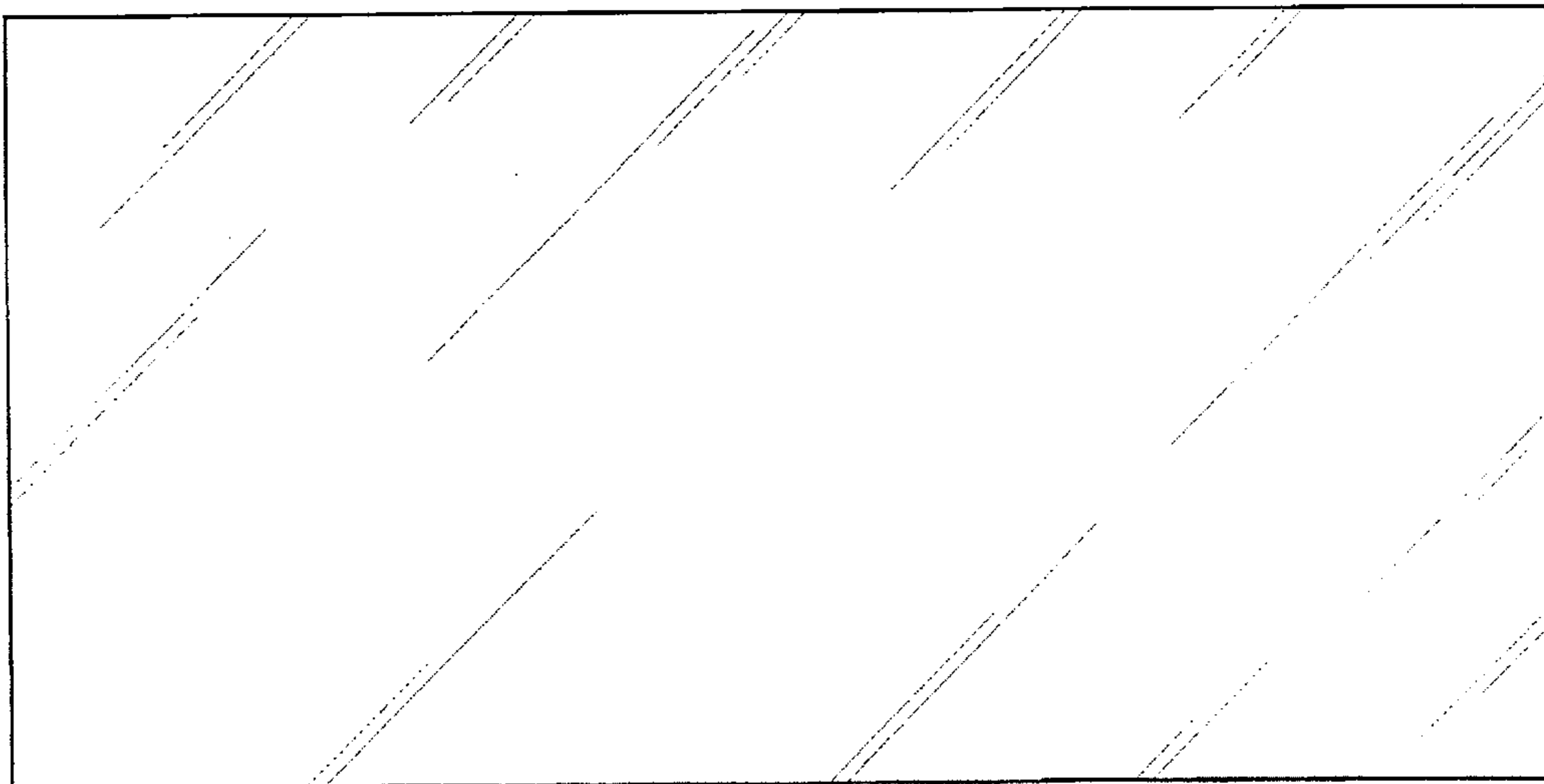


FIG. 3

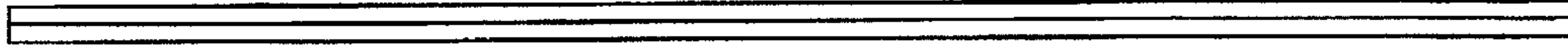


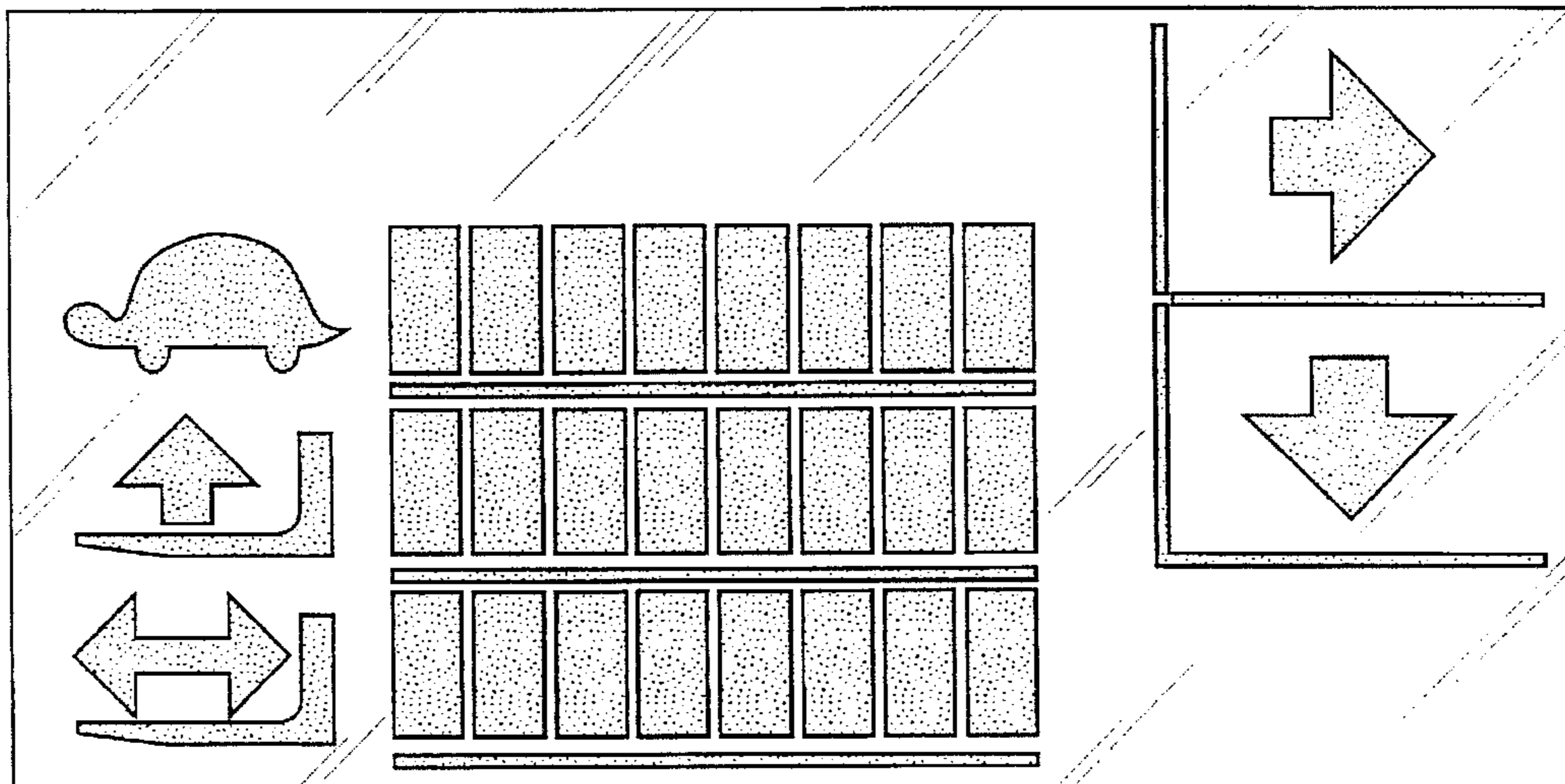
FIG. 4

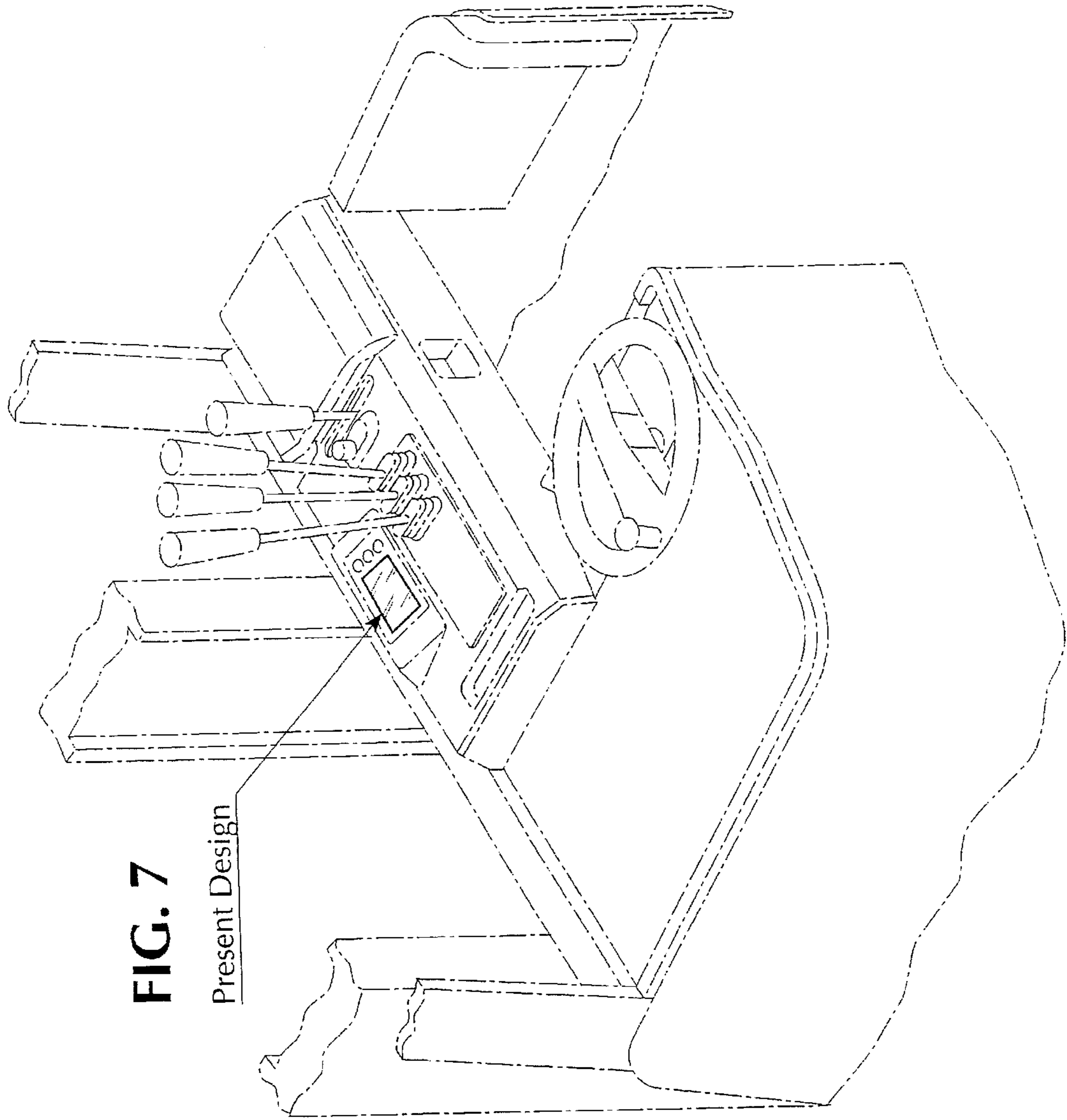


FIG. 5



FIG. 6





**FIG. 7**

Present Design