



US00D381358S

# United States Patent [19]

Radvak et al.

[11] Patent Number: Des. 381,358

[45] Date of Patent: \*\*Jul. 22, 1997

[54] LABEL APPLYING MACHINE

[76] Inventors: **Mike Radvak; Mark Best**, both of 950 N. Orlando Ave., Suite 230, Winter Park, Fla. 32789

[\*\*] Term: 14 Years

[21] Appl. No.: 48,153

[22] Filed: Dec. 21, 1995

[51] LOC (6) Cl. .... 19-02

[52] U.S. Cl. .... D18/19; D18/19

[58] Field of Search ..... D18/14, 19, 38, D18/99; D15/145; 156/DIG. 33, DIG. 40, 361, 442.1, 441.5, 450, 542

[56] References Cited

U.S. PATENT DOCUMENTS

D. 201,391	6/1965	Hollerith, Jr. ....	D55/1
D. 228,810	10/1973	Zinni .....	D18/2
D. 262,631	1/1982	Branstner et al. ....	D15/145
D. 355,672	2/1995	Meister, Jr. ....	D18/99
3,321,105	5/1967	Marano .....	221/22
3,560,299	2/1971	Schneider .....	156/351
3,647,602	3/1972	McGuire et al. ....	156/361 X
3,676,257	7/1972	Ingalls .....	156/351

3,721,601	3/1973	Pituch et al. ....	156/542
4,082,595	4/1978	Slater .....	156/351
4,194,941	3/1980	Briggs et al. ....	156/361
4,758,303	7/1988	Shastko .....	156/DIG. 33 X
4,869,775	9/1989	Quittner .....	156/542
5,102,485	4/1992	Keeler et al. ....	156/256
5,133,390	7/1992	Selak et al. ....	156/361
5,431,763	7/1995	Bradshaw .....	156/542

Primary Examiner—Ruth McInroy  
Assistant Examiner—Frank Martinez  
Attorney, Agent, or Firm—William M. Hobby, III

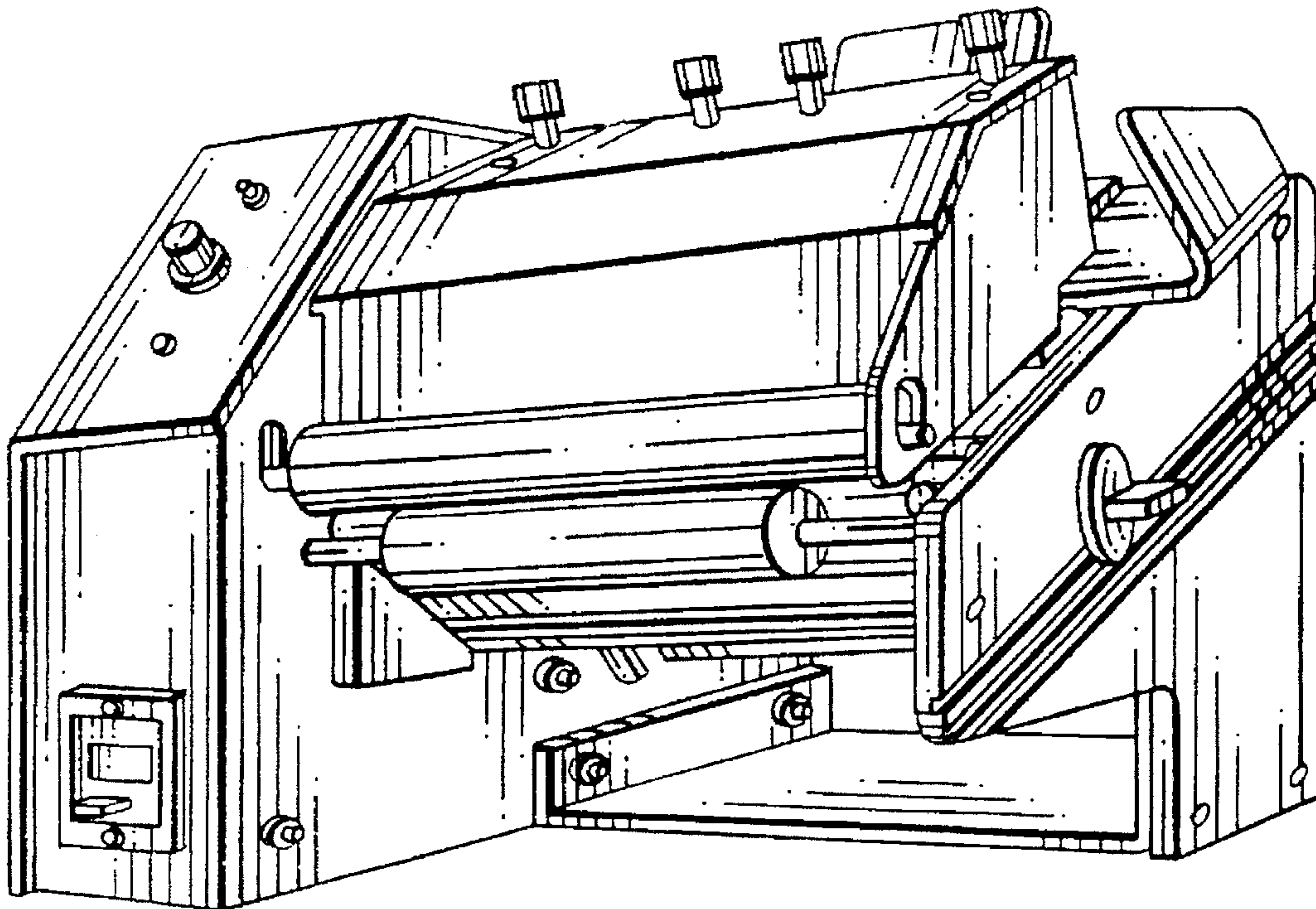
[57] CLAIM

The ornamental design for a label applying machine, as shown.

DESCRIPTION

FIG. 1 is a front, right side perspective view of my new label applying machine;  
FIG. 2 is a top plan view;  
FIG. 3 is a bottom plan view;  
FIG. 4 is a front elevation;  
FIG. 5 is a rear elevation;  
FIG. 6 is a left side elevation; and,  
FIG. 7 is a right side elevation.

1 Claim, 2 Drawing Sheets



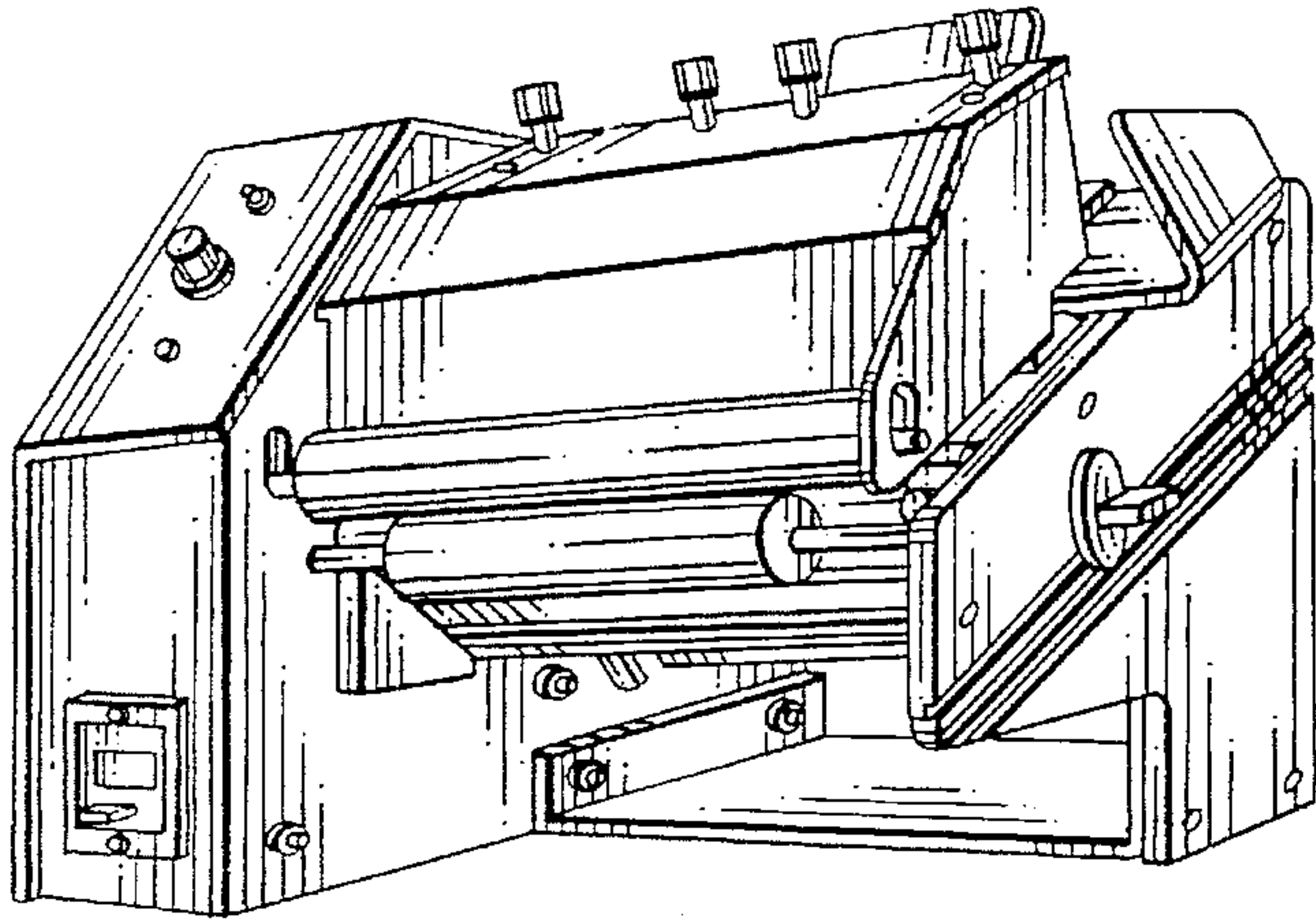


FIG. 1

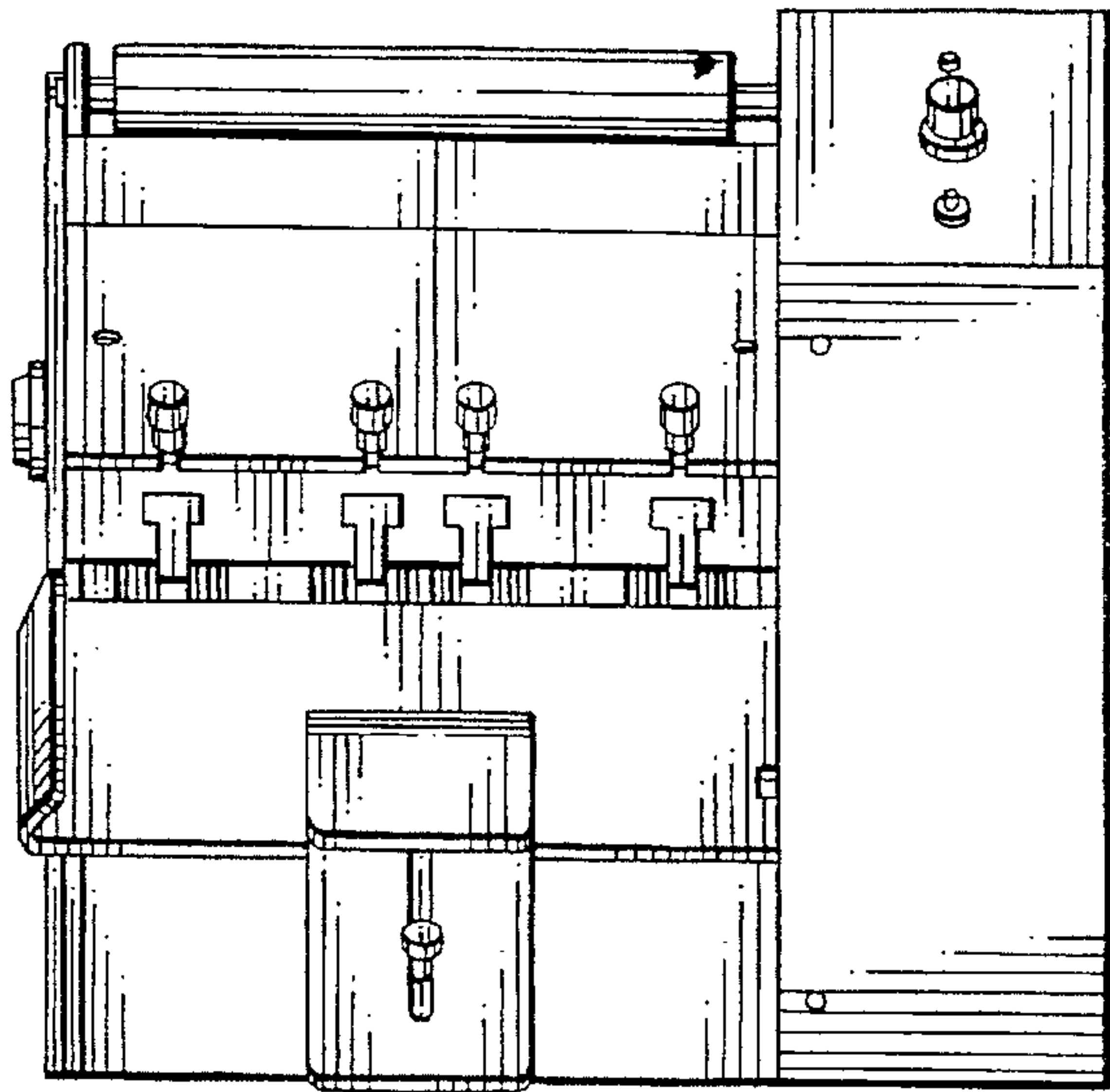


FIG. 2

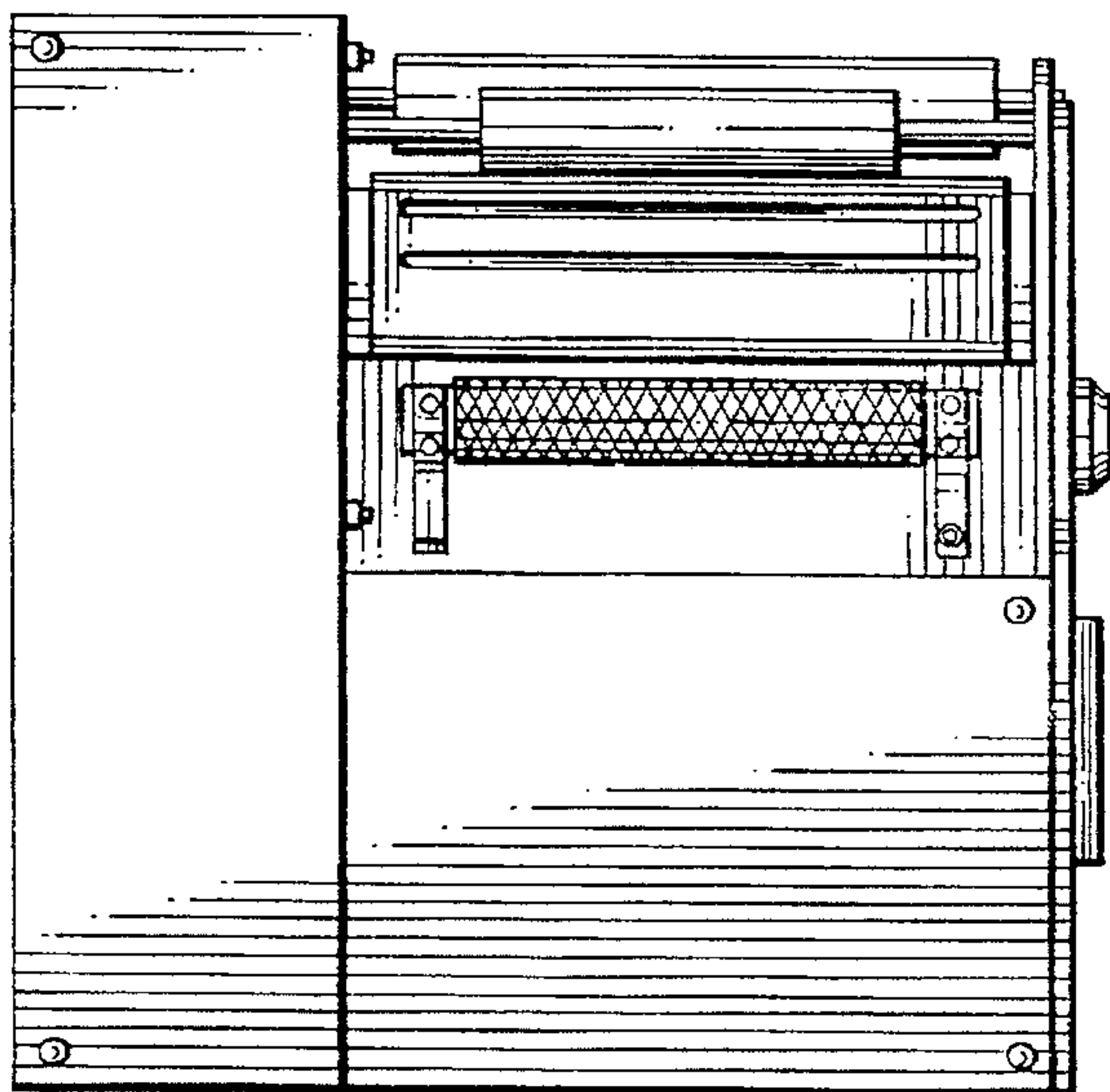


FIG. 3

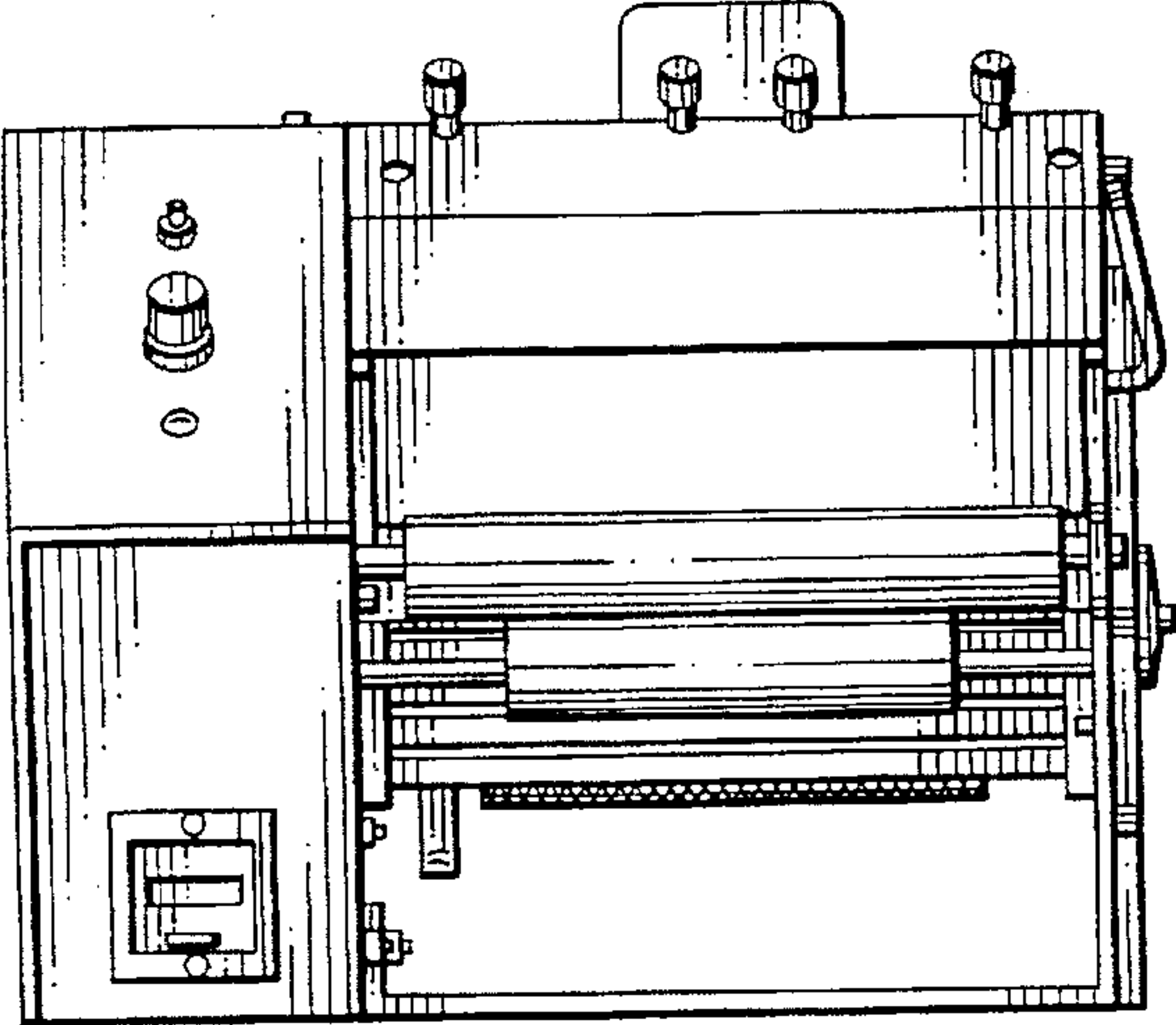


FIG. 4

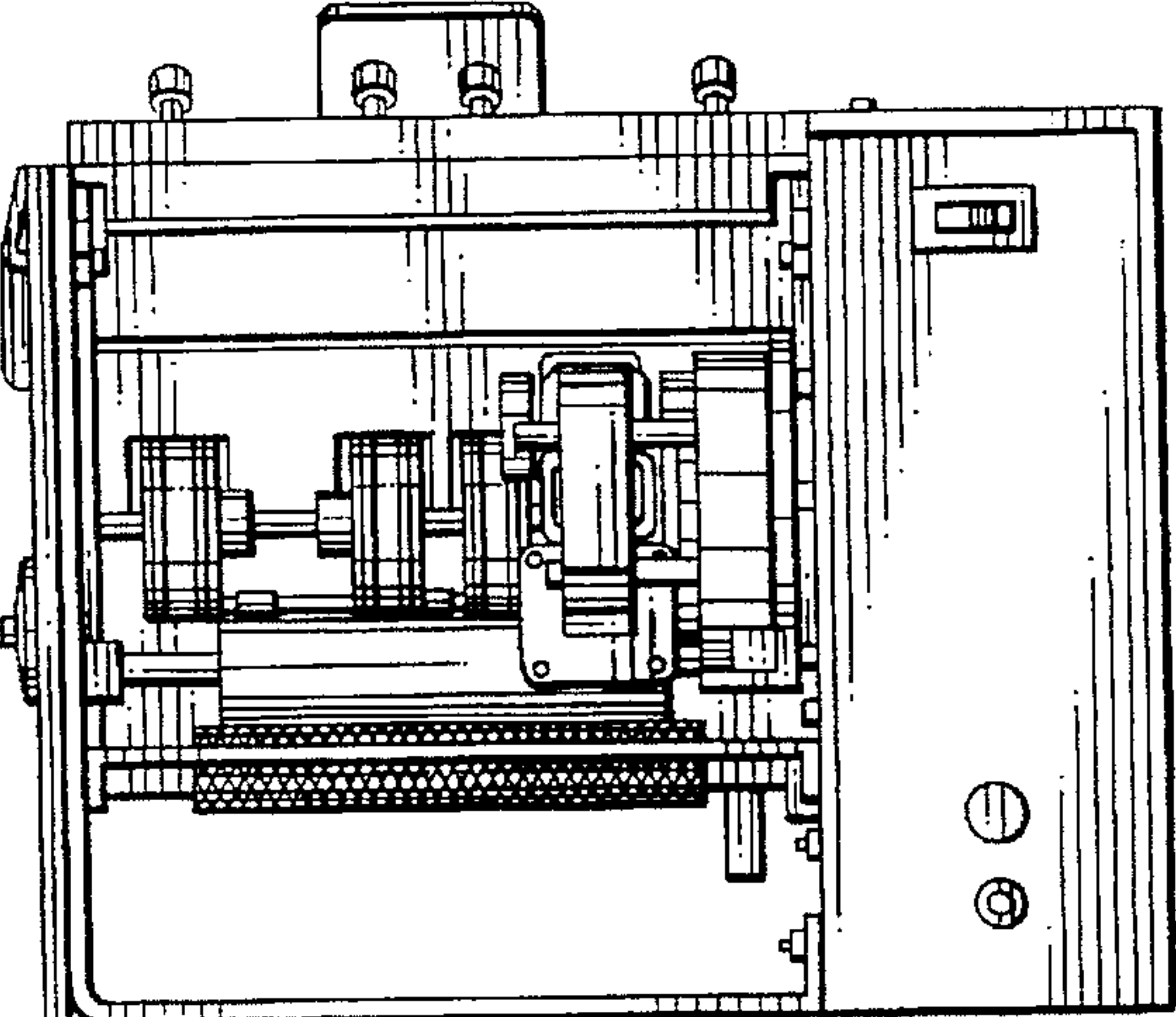


FIG. 5

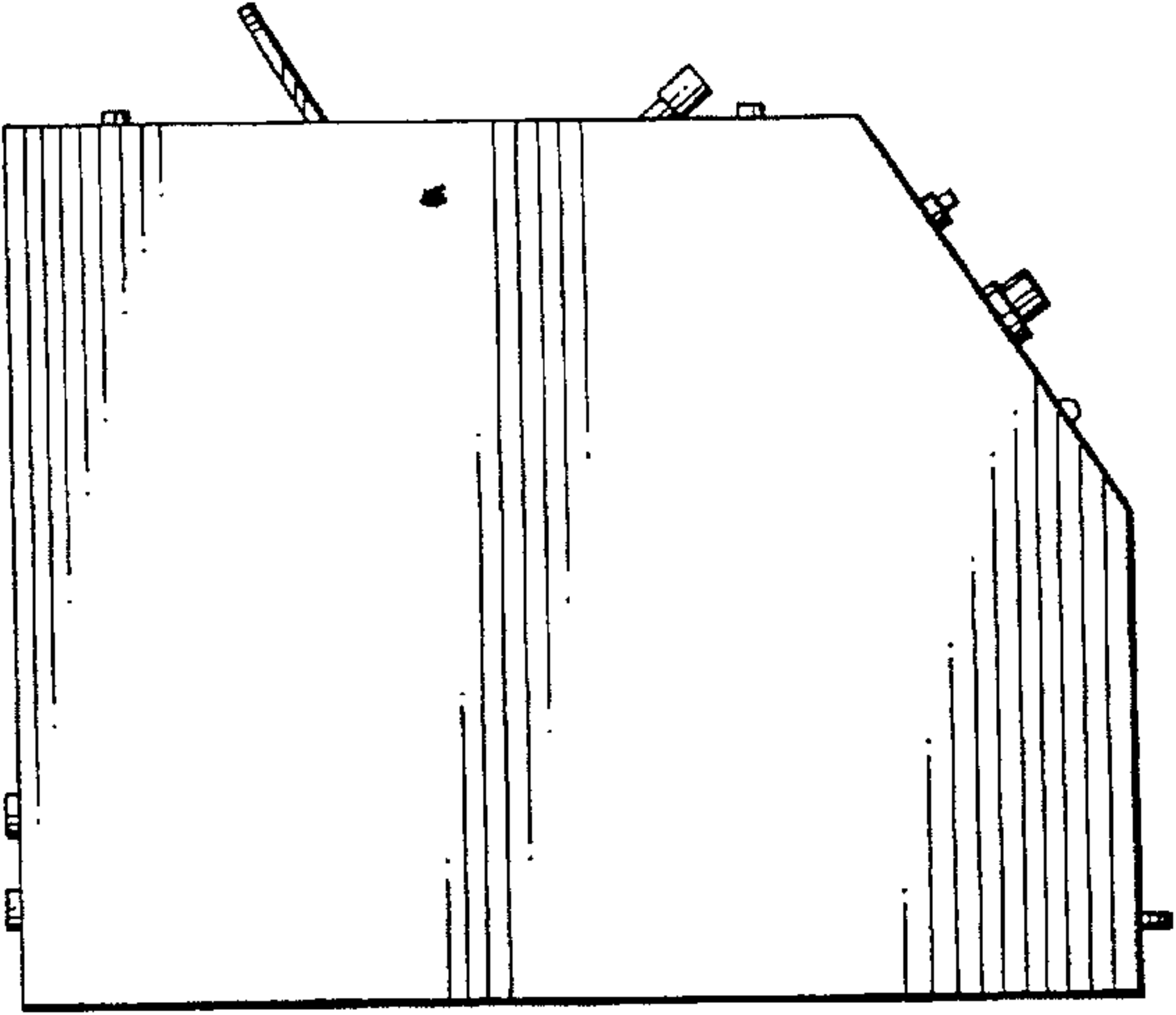


FIG. 6

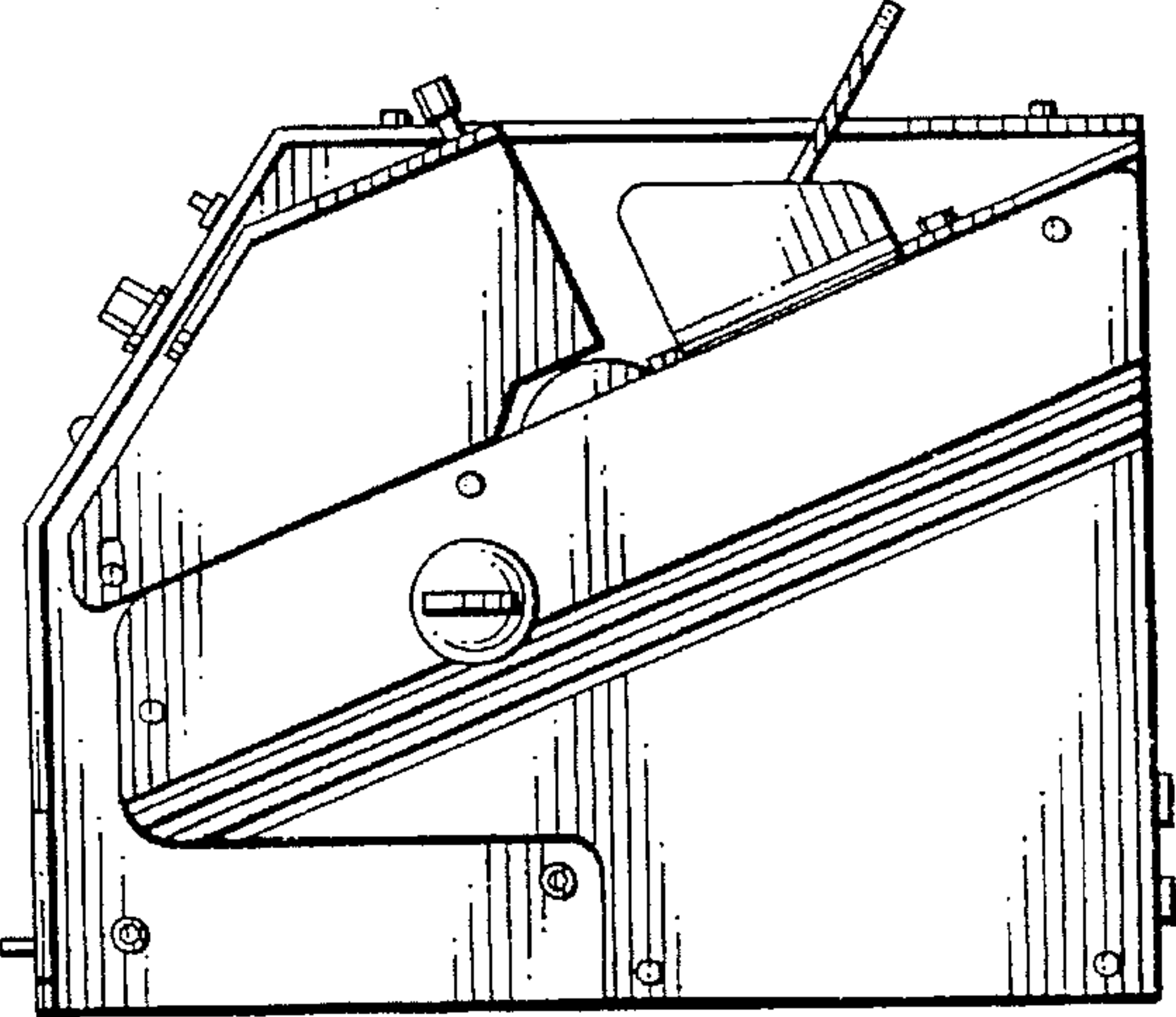


FIG. 7