



US00D381357S

# United States Patent [19]

Yasoshima

[11] Patent Number: Des. 381,357

[45] Date of Patent: \*\*Jul. 22, 1997

## [54] COMBINED STAMP PAD AND CONTAINER

[75] Inventor: Rira Yasoshima, Tokyo, Japan

[73] Assignee: Tsukineko, Inc., Redmond, Wash.

[\*\*] Term: 14 Years

[21] Appl. No.: 39,822

[22] Filed: Jun. 6, 1995

[51] LOC (6) Cl. .... 19-02

[52] U.S. Cl. .... D18/17; D19/65

[58] Field of Search ..... D18/14, 15, 17, D18/18; D19/65, 70; 101/203, 205, 208, 211, 327-331, 333-335; 118/248, 258, 264, 268, 269, 270, 46, 255; D28/78-80, 83

## [56] References Cited

### U.S. PATENT DOCUMENTS

D. 184,720	3/1959	Fleming .	
D. 247,063	1/1978	Funahashi .....	D64/10
D. 252,935	9/1979	Henkels .....	D19/77
D. 331,418	12/1992	Winston .....	D18/15
D. 345,826	4/1994	Byars et al. ....	D28/83
D. 347,089	5/1994	Byars et al. ....	D28/83
D. 367,879	3/1996	Smith et al. ....	D18/18
D. 372,731	8/1996	Yasoshima .....	D18/17
D. 372,933	8/1996	Winston .....	D18/17
602,061	4/1898	Echelberger .....	118/264
848,063	3/1907	Sommer .....	118/264
1,173,092	2/1916	Bickerton .....	118/270
1,463,718	7/1923	Munson .....	118/264
1,598,538	8/1926	Mann .....	118/269
1,796,137	3/1931	Baumgarten .....	118/264
2,117,470	5/1938	Zareko .....	118/264
2,290,488	7/1942	Munson .....	118/264
2,374,198	4/1945	Harris .	
2,422,814	6/1947	Alexander .	
2,723,476	11/1955	Lyon .	
3,326,180	6/1967	Lofgren .	
3,590,734	7/1971	Carter .....	101/333
4,029,011	6/1977	Kumer .	
4,986,175	1/1991	Boehringer et al. ....	101/125

## FOREIGN PATENT DOCUMENTS

546609	9/1957	Canada .....	101/333
167 380 A	1/1986	European Pat. Off. .	
2675740 A1	10/1992	France .	
662905	6/1938	Germany .	
4-312881A	11/1992	Japan .	
4940	of 1896	United Kingdom .....	118/264
2045687	11/1980	United Kingdom .	

## OTHER PUBLICATIONS

Rubber stamp catalog, Clearsnap, Inc., 1990.  
 Tsukineko, Color Palette Pigment Stamp Pad Catalog, Japanese language document. Date unknown.  
 Tsukineko, Japanese Catalog, 1993.  
 Clearsnap, Color Box Pigment Stamp Pads, See circled stamp pad, top left, 1993.  
 Ink-A-Dink-A-Do, 4 Inks in Ones, Stamp Pad., date unknown.

Primary Examiner—Martie Thompson  
 Attorney, Agent, or Firm—Seed and Berry LLP

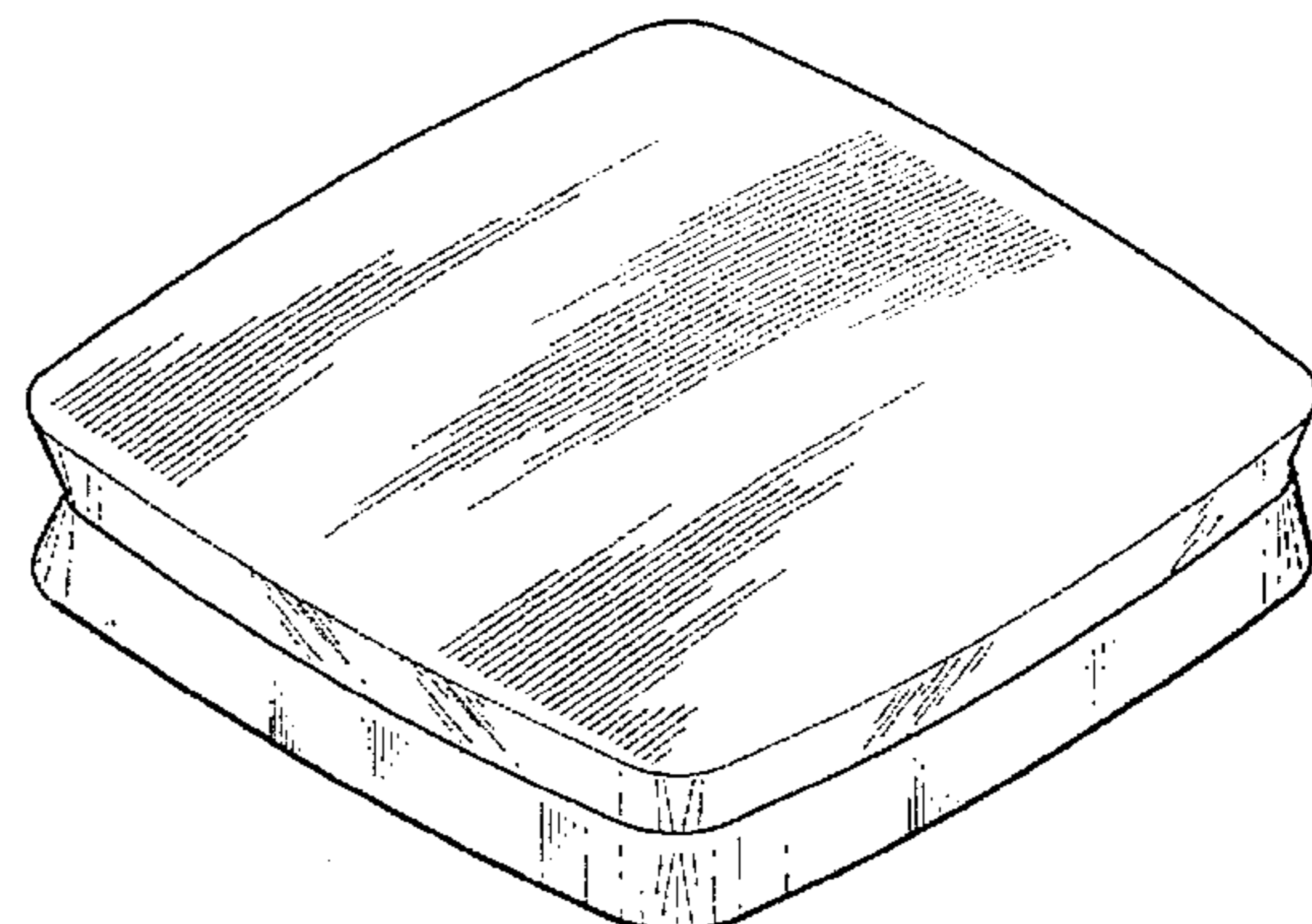
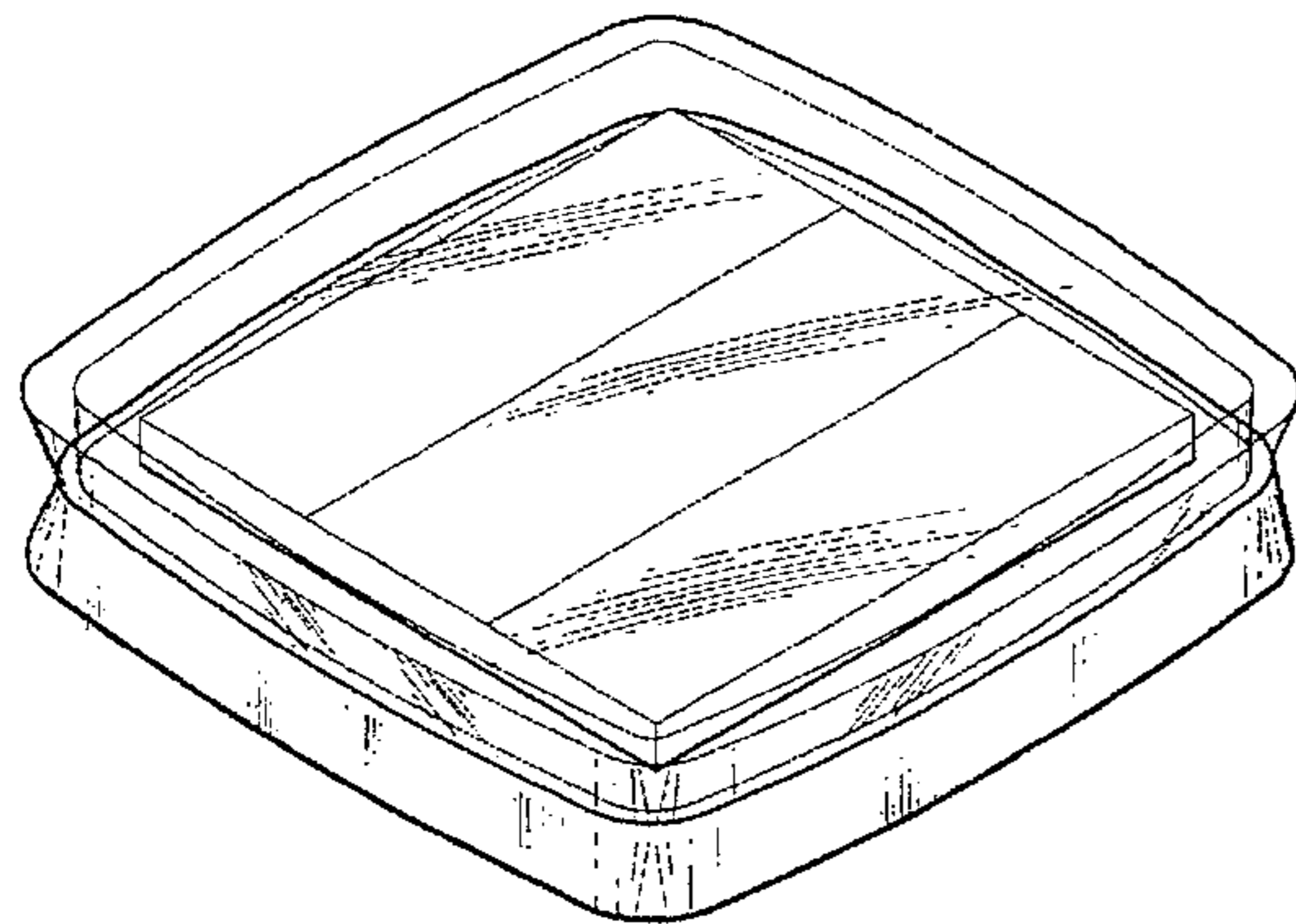
## [57] CLAIM

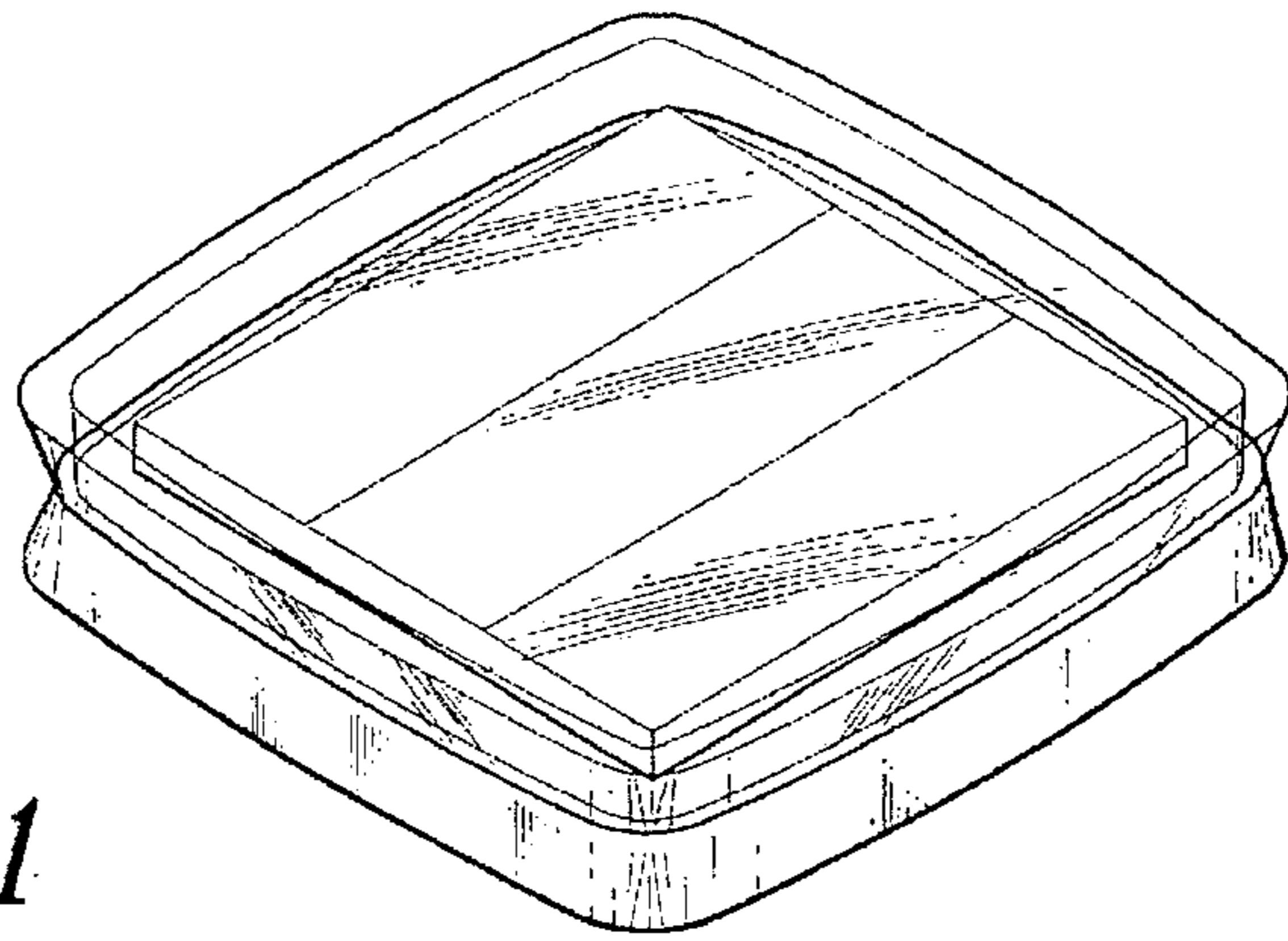
The ornamental design for a combined stamp pad and container, as shown and described.

## DESCRIPTION

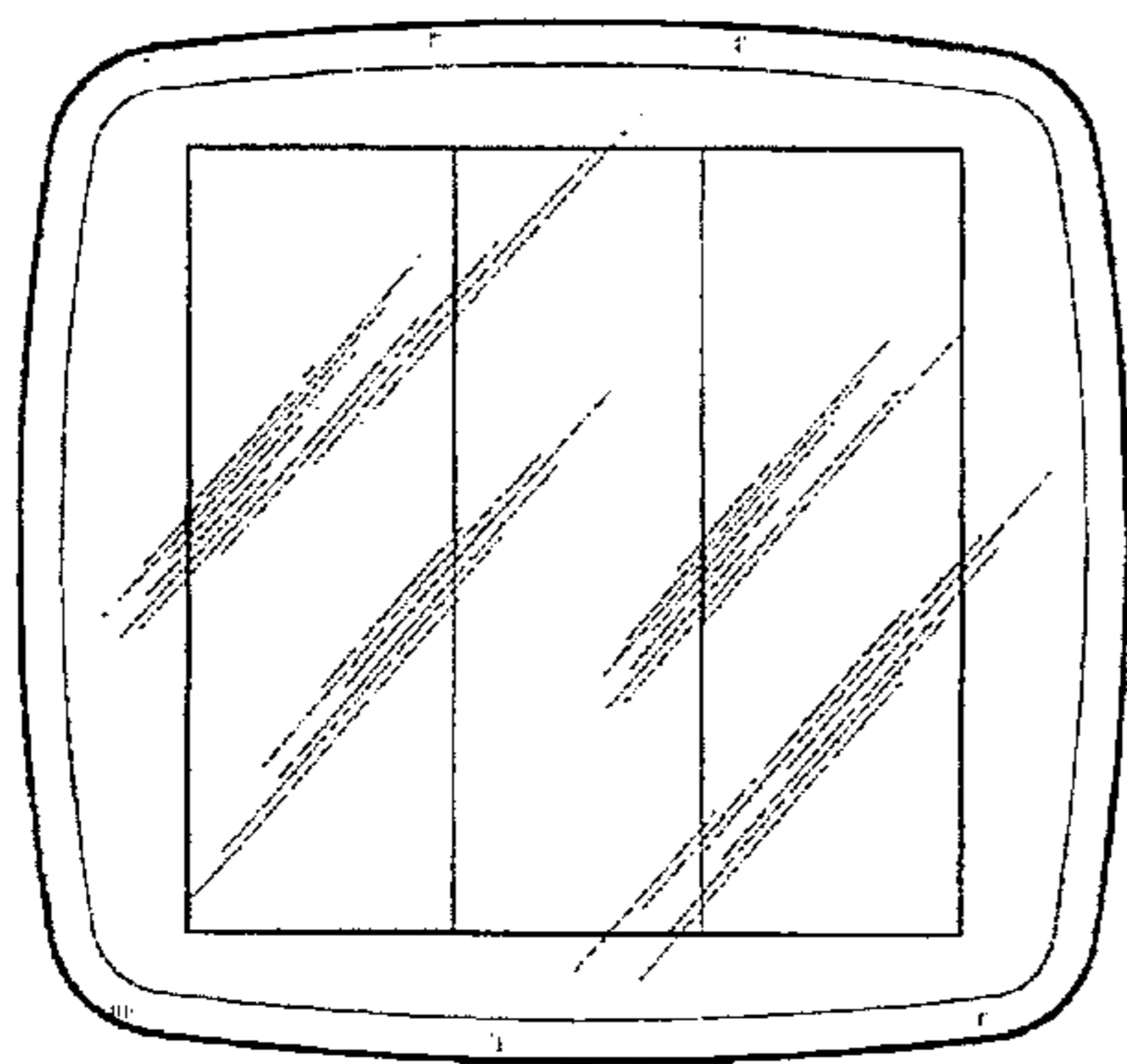
FIG. 1 is an isometric view of a combined stamp pad and container showing my new design;  
 FIG. 2 is a top-plan view thereof;  
 FIG. 3 is a first side-view thereof, the opposite side is identical to the side shown;  
 FIG. 4 is a second side-view thereof, the opposite side is identical to the side shown;  
 FIG. 5 is a bottom-plan view thereof;  
 FIG. 6 is a cross-sectional view of a side of the isolated lid thereof, the other sides are identical to the side shown;  
 FIG. 7 is a cross-sectional view of a side of the isolated base thereof, the other sides are identical to the side shown;  
 FIG. 8 is an isometric view of a second embodiment of FIG. 1, all other views being identical to FIG. 2 through 7; and,  
 FIG. 9 is an isometric view of a third embodiment of FIG. 1, all other view being identical to FIG. 2 through 7, with the exception of the opaque lid member of the present embodiment.

1 Claim, 2 Drawing Sheets





*Fig. 1*



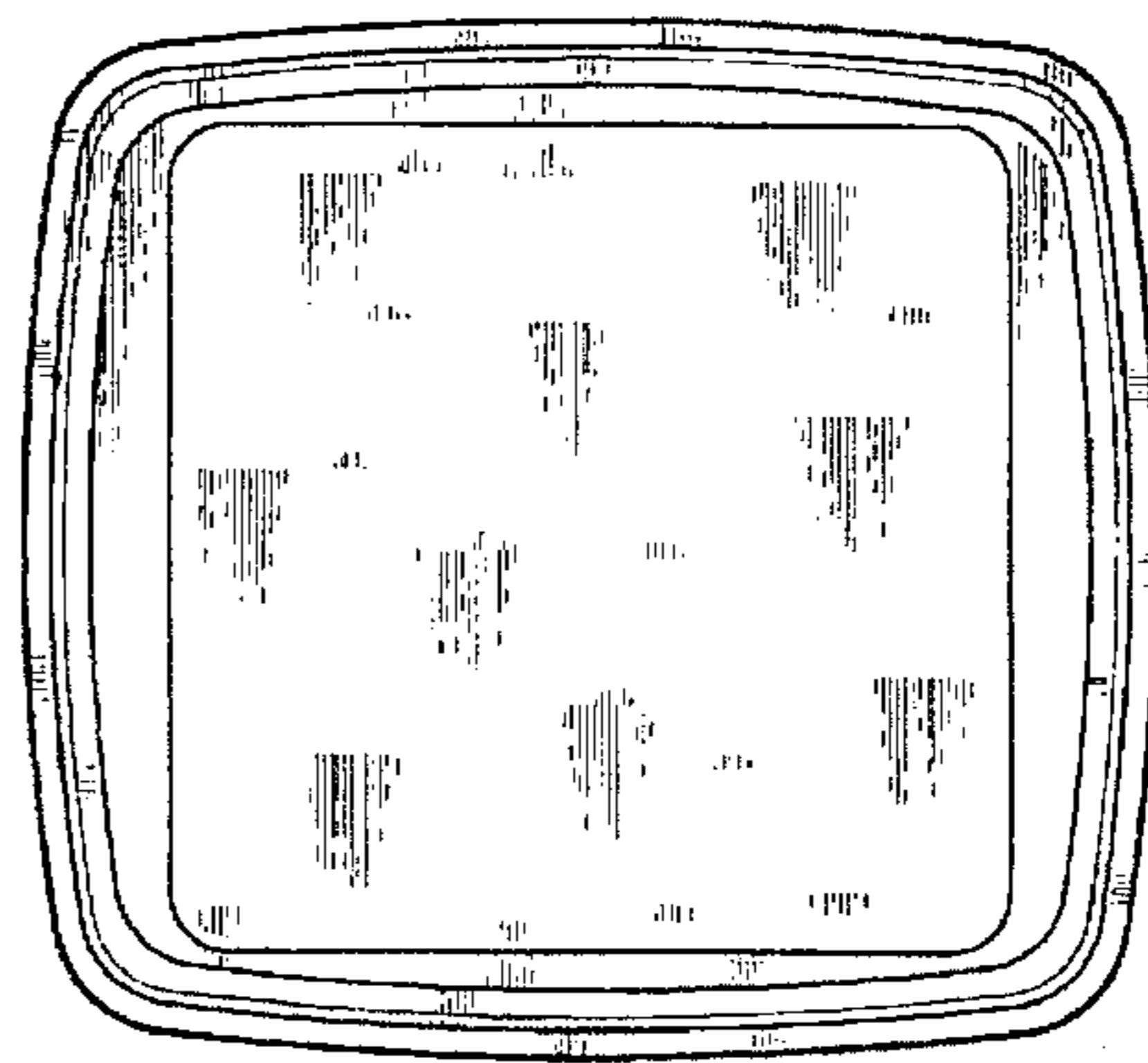
*Fig. 2*



*Fig. 3*

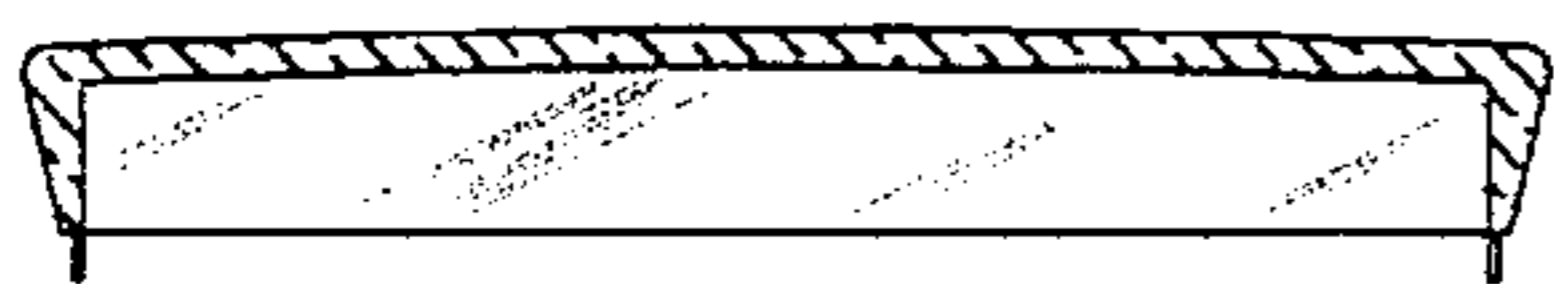


*Fig. 4*

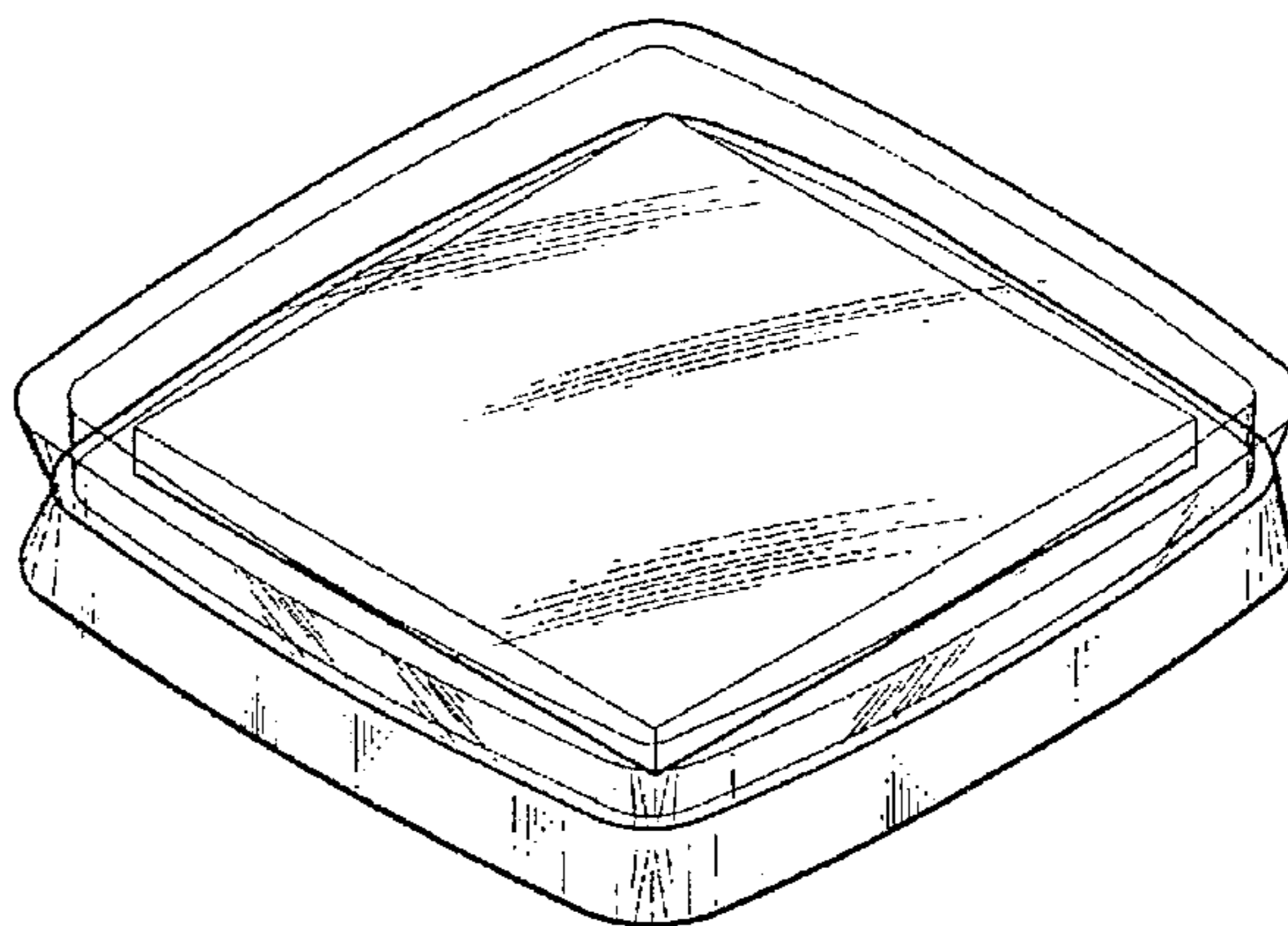
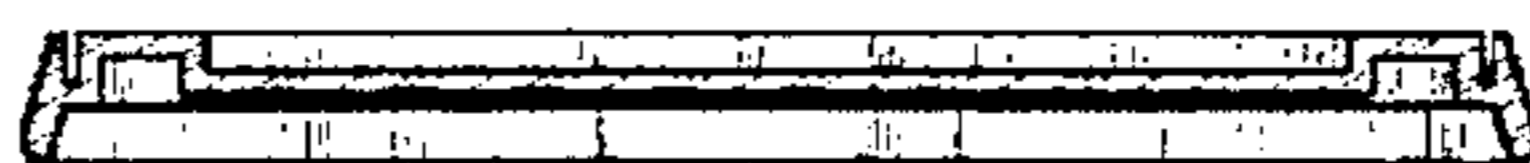


*Fig. 5*

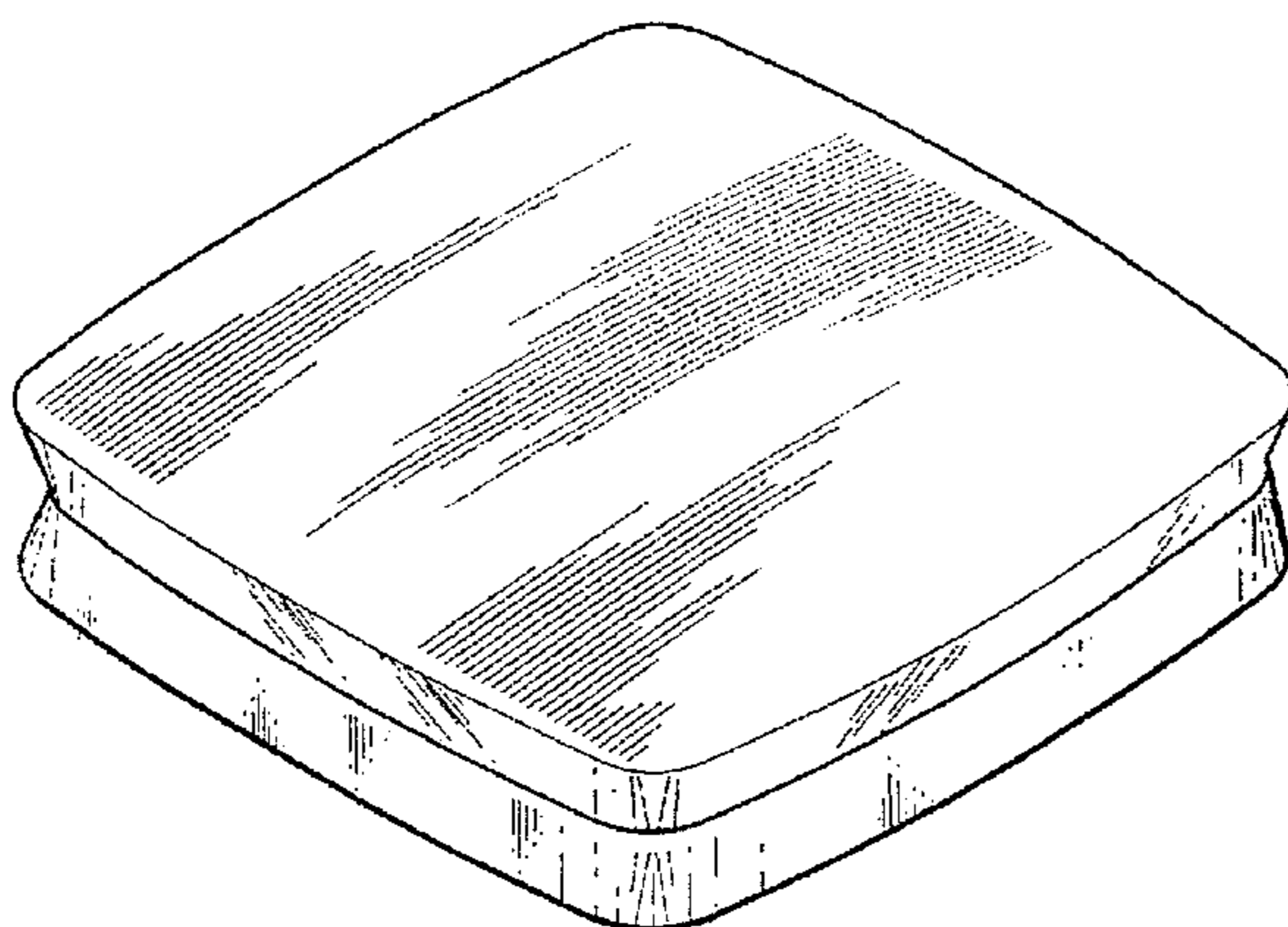
*Fig. 6*



*Fig. 7*



*Fig. 8*



*Fig. 9*